



Lighting Tower

Parts Manual

Models v1 to v4

TCP-4228 Iss. K - DCA 00742
Issued June 2013

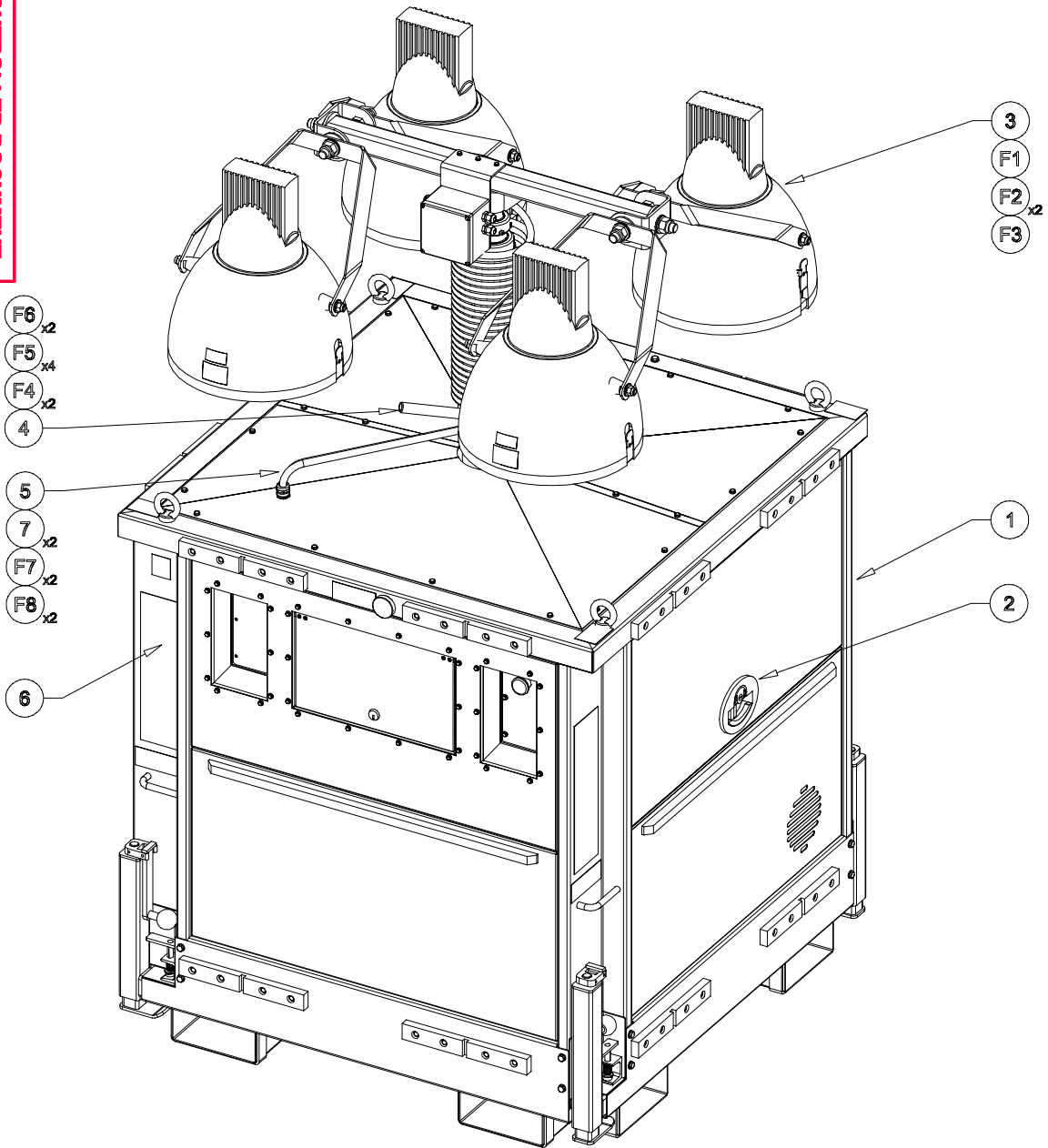
Taylor Construction Plant Ltd.
Quayside Industrial Park, Bates Road,
Maldon, Essex, CM9 5FA
Tel: +44 (0)1621 850777
Fax: +44 (0)1621 843330
mail@tcp.eu.com
www.tcp.eu.com



INDEX

Versions – 1 to 4

Section	Page No.
Complete Unit	3
Ø300 x 150w Lamps V1	5
Polaris x 150w Lamps V2	9
Main Module V1	13
<i>Exhaust V1</i>	15
Main Module V2	17
<i>Exhaust V2</i>	19
Main Module V3	21
Fuel Tank V1	25
Fuel Tank V2	27
Hydraulics V1	29
Hydraulics V2	33
Hydraulics V3	37
Hydraulic Schematic	41
Mecc-Alte Alternator with Engine V1	43
Sincro Alternator with Engine V2	47
Sincro Alternator with 2012 Engine V3	53
2 Rod Mast V1	57
3 Rod Mast V2	59
3 Rod Profile Mast V3	61
Mainframe	63
<i>Mast Clamp</i>	68
<i>Sealing</i>	69
<i>Jack Leg</i>	70
<i>Mast Base Support</i>	71
Earth Spike	72
Standard Panels	73
Control Box Mounts	80
Desert Panels	85
Control Box V1	93
<i>Input/Output Module</i>	100
Schematics & Terminations V1	109
Control Box V2	149
Schematics & Terminations V2	157
Standard Decals	177



ITEM	DRG No.	PART/Kit No.	DESCRIPTION	QTY
1	TCP-4121-01 SA	SA-4121-01	BASE MODULE ASSY, 1B20 UNIT	1
2	TCP-4034-01 SA	SA-4034-01	MAINFRAME PANEL ASSY - STD	1
3	TCP-2970-01 SA	SA-2970-01	GIMBAL ASSY, 150W x Ø330 LAMPS	1
4	TCP-4056	51-0358	HANDLE, MAST ROTATION (PAIR)	1
5	TCP-1621	71-0212	CURLY CORD CABLE 7 WAY	1
6	TCP-4118 SA	99-4118-01	DECAL KIT ASSY - ENGLISH	1
7		03-0057	'P' CLIP Ø14	2
F1		01-0182	M10 x 80 HEX SETSCREW	1
F2		02-0002	M10 WASHER	2
F3		01-0006	M10 NYLOC NUT	1
F4		01-0026	M8 x 30 HEX SETSCREW	2
F5		02-0011	M8 WASHER	4
F6		01-0007	M8 NYLOC NUT	2
F7		01-0004	M6 x 12 HEX SETSCREW	2
F8		02-0004	M6 WASHER	2

N.B. ITEMS 7 & F1 to F8
NOT SHOWN

UNCONTROLLED DOCUMENT
CHECK FOR AMENDMENTS BEFORE USE

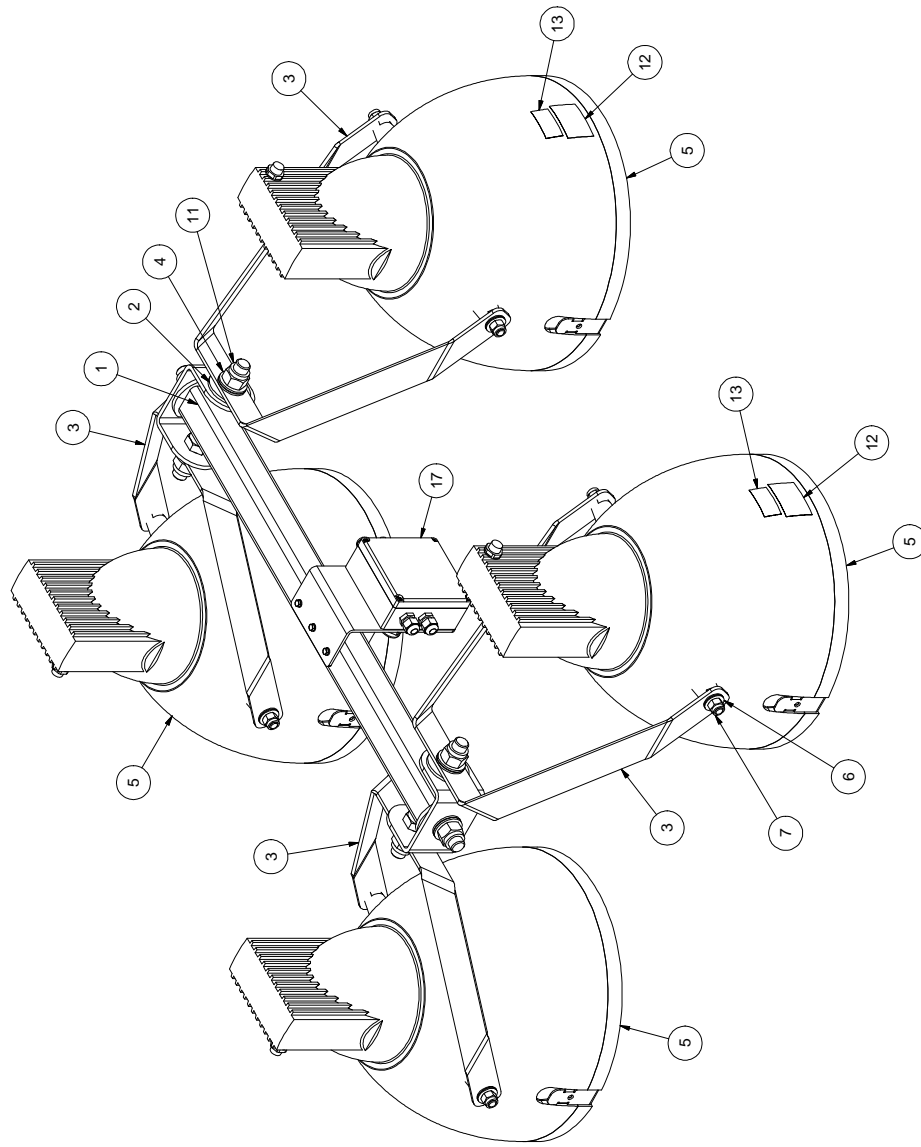
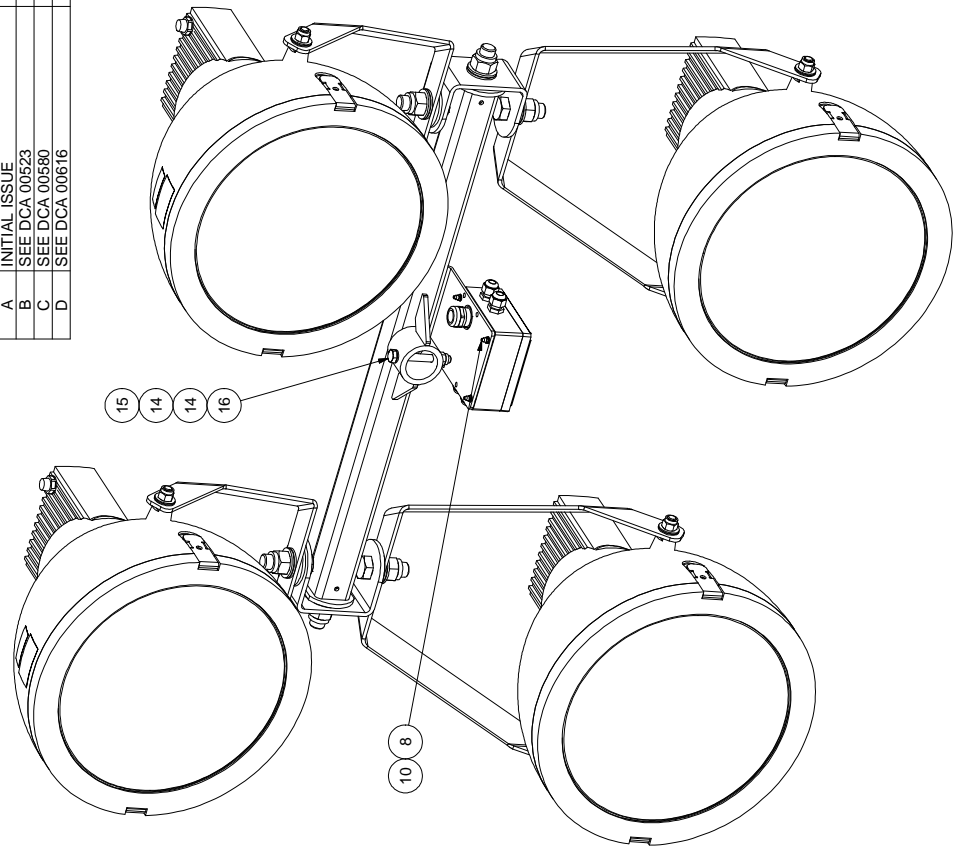
D SEE DCA 00831		08/11	MATERIAL AS PIECE PARTS		mm	TAYLOR CONSTRUCTION PLANT LTD.		TITLE: ECOLITE P GEN ASSY, BASIC UNIT		DRN GAN
C SEE DCA 00875		11/10	FINISH CLEAN & DEBURR AS PIECE PARTS		±0.25	QUAYSIDE PARK, BATES ROAD, MILDON, ESSEX, CH48 8TA		ECOLITE P		CHKD
B INITIAL ISSUE		01/10	HOLE CTRS/POS/ANGLES		±0.2	TEL: 44(0)1827 88777 FAX: 44(0)1827 88880 WWW.TCP.EU.COM		DWG No. TCP-4120-01 GA		APPD
A DESCRIPTION		CHKD DATE			±0.5°			Sht 1 of 1		DATE
								ECOP/STD		27.05.2009

ECOLITE-P

Ø300 x 150w LAMPS

Version - 1

ISS	DESCRIPTION	DATE
A	INITIAL ISSUE	29/09/2008
B	SEE DCA 00523	17/06/2010
C	SEE DCA 00580	14/12/2010
D	SEE DCA 00616	06/05/2011



ITEM	DRG. NO.	STOCK NO.	KIT	DESCRIPTION	QTY
17	TCP-3382	99-3382		JUNCTION BOX ASSEMBLY - LARGE	1
16	ISO 4014 - M10 X 80	01-0182		HEXAGON HEAD BOLT - PRODUCT GRADES A AND B	1
15	ISO 7040 - M10	01-0006		HEX NUT WITH TORQUE PART	1
14	BS 4320 - M8 (FORM A)	02-0011		BRIGHT METAL WASHER - METRIC SERIES	2
13	TCP-1090	80-0040		DECAL - WARNING HOT SURFACE	4
12	TCP-1091	80-0041		DECAL - WARNING LAMP GLASS BROKEN	4
11	ISO 7040 - M20	01-0046		HEX NUT WITH TORQUE PART	6
10	ISO 7040 - M4	01-0019		HEX NUT WITH TORQUE PART	4
9	BS 4320 - M4 (FORM A)	02-0028		BRIGHT METAL WASHER - METRIC SERIES	4
8	TCP-3526	01-3526		M4 POZI PAN SMALL HEAD - GB-823	4
7	ISO 7040 - M12	01-0038		HEX NUT WITH TORQUE PART	8
6	D2812215	40-0022		M12 DISK SPRING	16
5	TCP-2181	72-0038		BOOSTER LAMP 150W X Ø330MM	4
4	D4020425	40-0010		M20 DISK SPRING	12
3	TCP-1802	51-0307		LAMP SUPPORT BRACKET FIXED	4
2	TCP-4053	51-4105		FRICITION WASHER GIMBAL TEE BAR	6
1	TCP-4046	51-4105		GIMBAL TEE BAR ASSY	1

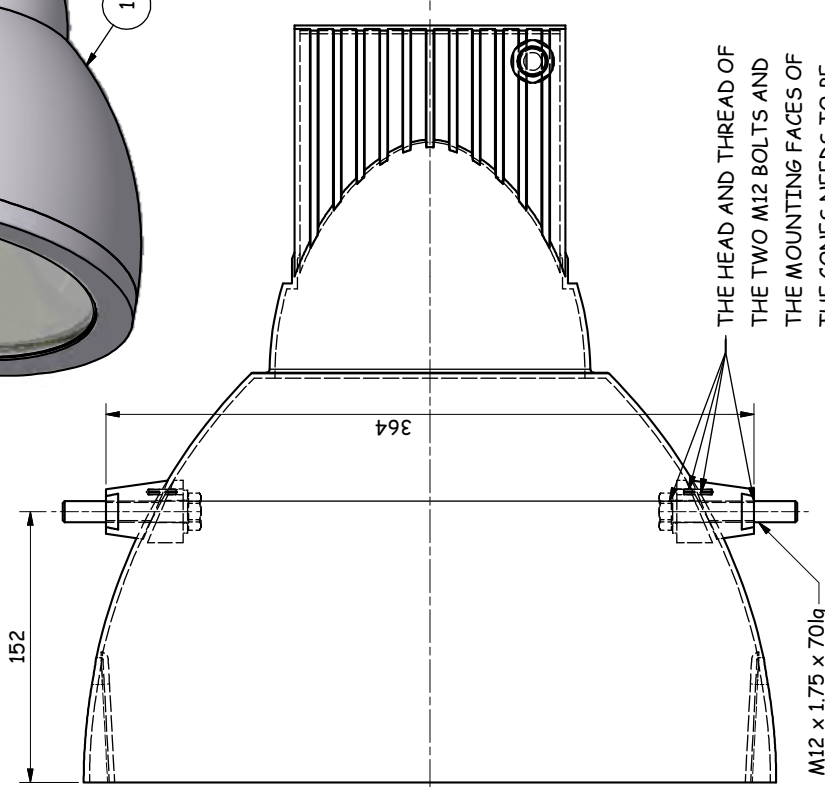
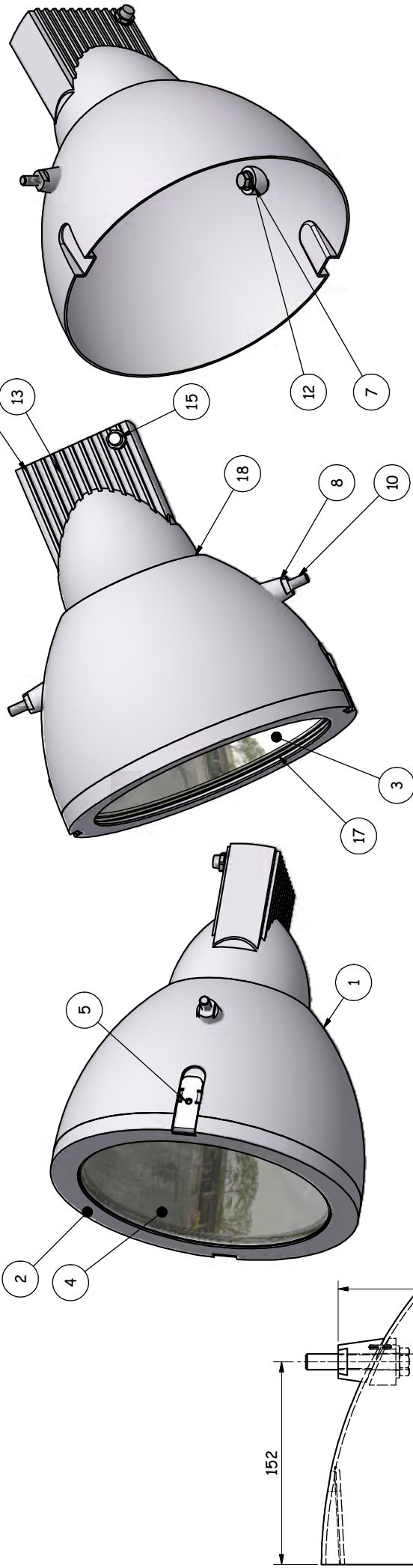
ITEM	DRG. NO.	STOCK NO.	KIT	DESCRIPTION	QTY
MATERIAL					
SCALE 1:5					
DIMENSIONS IN MM					
TOLERANCES					
GENERAL: ±0.5					
FINISH: CLEAN & DEBURR					
PROJECT: 1/02					
DRAWN: RC					
CHECKED:					
DATE: 29/09/2008					
TITLE: ECOLITE 330MM 4 HEAD LAMP GIMBAL ASSY					
DRG. NO.: TCP-2970 SA					
SHEET 1 OF 1					
STOCK NO. SA-2970					
A2					

UNCONTROLLED DOCUMENT
CHECK FOR AMMENDMENTS BEFORE USE

THIRD ANGLE PROJECTION

TAYLOR CONSTRUCTION PLANT LTD. RESERVE THE RIGHT TO CHANGE PRODUCTS & SPECIFICATION WITHOUT PRIOR NOTICE

DWG No. TCP-2181



UNCONTROLLED DOCUMENT
CHECK FOR AMENDMENTS BEFORE USE

ITEM	DRG. No.	STOCK No.	DESCRIPTION	QTY
18	TCP-3473	72-0064	REAR SEAL RING	1
17	TCP-3472	72-0069	FRONT SEAL RING	1
16	TCP-3471	20-0198	'O' RING FOR BALLEST LID	4
14	TCP-3470	72-0052	BULB 150w	1
13	TCP-3469	72-0063	BALLEST LID, 330 DIA LAMP	1
15	TCP-3275	72-3275	PRESSURE EQUALISATION ELEMENT	1
12	BS 4320 - M12 (Form A)	02-0021	BRIGHT METAL WASHER - METRIC SERIES	2
10	ISO 4017 - M12 x 70	01-0220	HEXAGON HEAD SCREW	2
8	TCP-2185	72-0055	OUTER PIVOT	2
7	TCP-2184	72-0054	INNER PIVOT	2
6	TCP-3468	72-0059	BALLAST 150W	1
5	TCP-3467	72-0070	RETAINING CLIP	2
4	TCP-3466	72-0067	LENS, 330 DIA LAMP	1
3	TCP-3465	72-0066	REFLECTOR, 330 DIA LAMP	1
2	TCP-3464	72-0068	FRONT RING	1
1	TCP-3463	72-0065	FRONT HOUSING WITH TRUNIONS	1
			TITLE: BOOSTER LAMP 150W x Ø330mm	

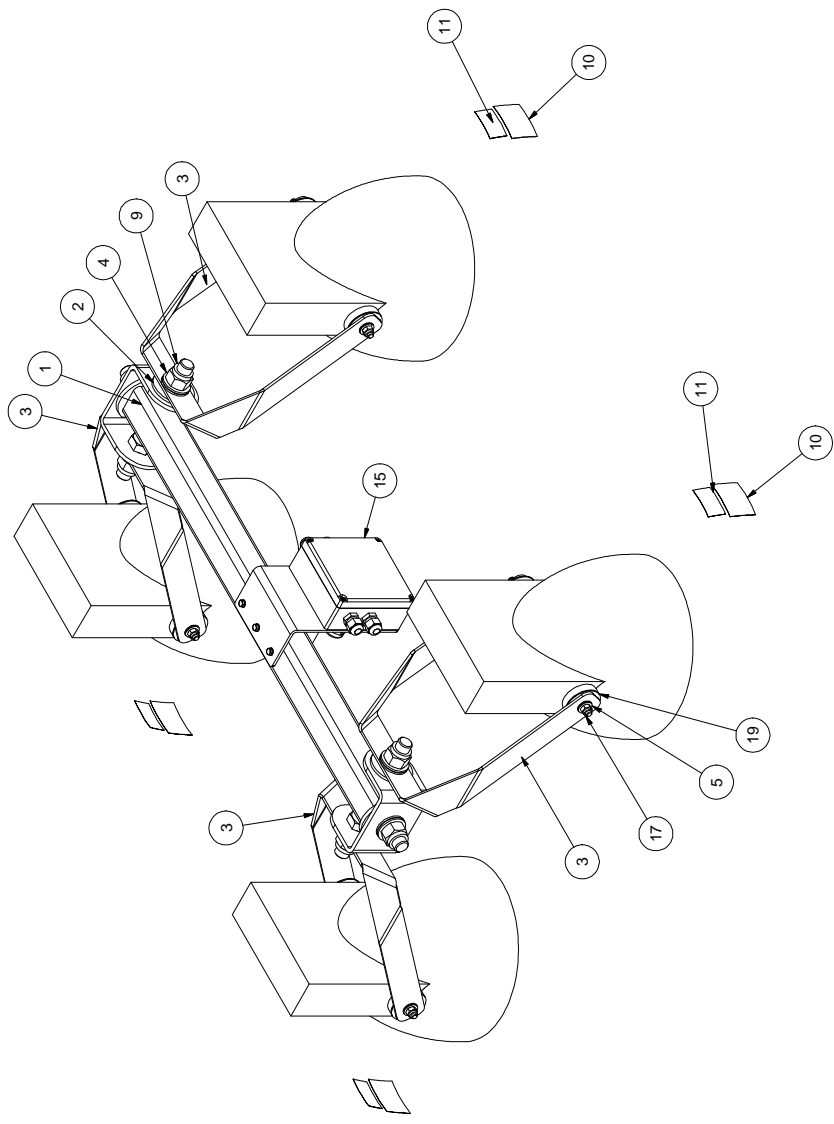
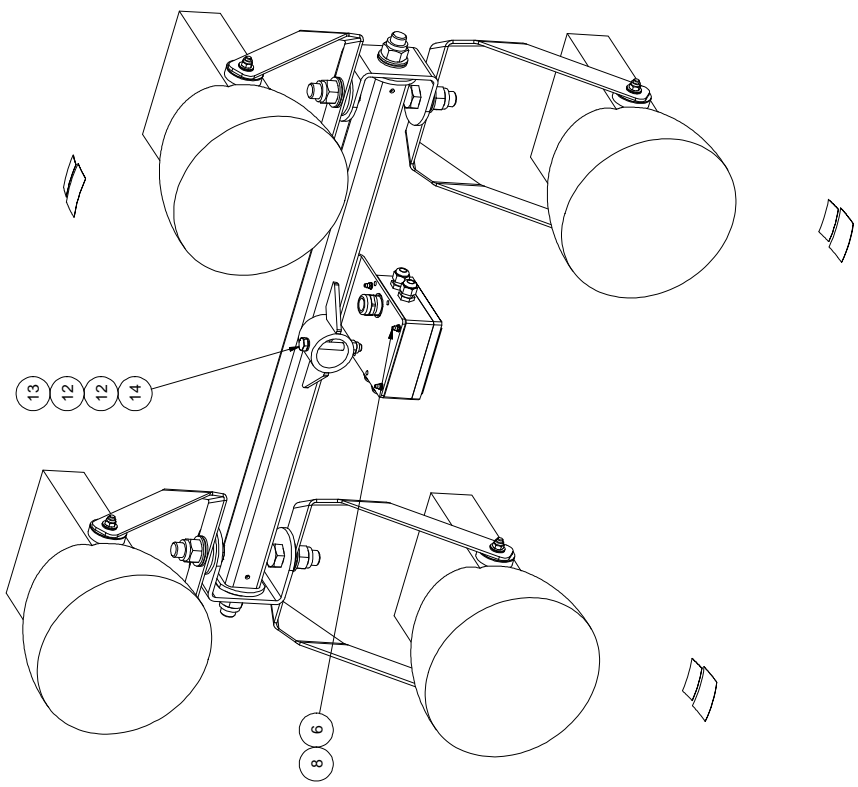
155	MATERIAL				DIMENSIONS IN		TAYLOR CONSTRUCTION PLANT LTD.		DRAWING INFORMATION		DATE		
	C	DCA 00565, ASSEMBLY DWG ADDED	09/10	FINISH CLEAN & DEBURR	SCALE	1:1 @ A3	QUAYSIDE PARK, BATES ROAD,		DWG No.	TCP-2181	72-0038	DATE	
		B	DCA 00363, M12X70LG, SILICON TEXT		12/08	TOL S-GENERAL	± 0.5	LONDON, SE17 7JF		STK No.			
		A	INITIAL ISSUE		10/06	HOLE CTRS/POSNS	± 0.2	TEL:441623 88077 FAX:441623 843330					
DESCRIPTION		CHKD	DATE	ANGLES	± 1/2°	WWW.TCP.EU.COM		APP'D					

ECOLITE-P

POLARIS x 150w LAMPS

Version - 2

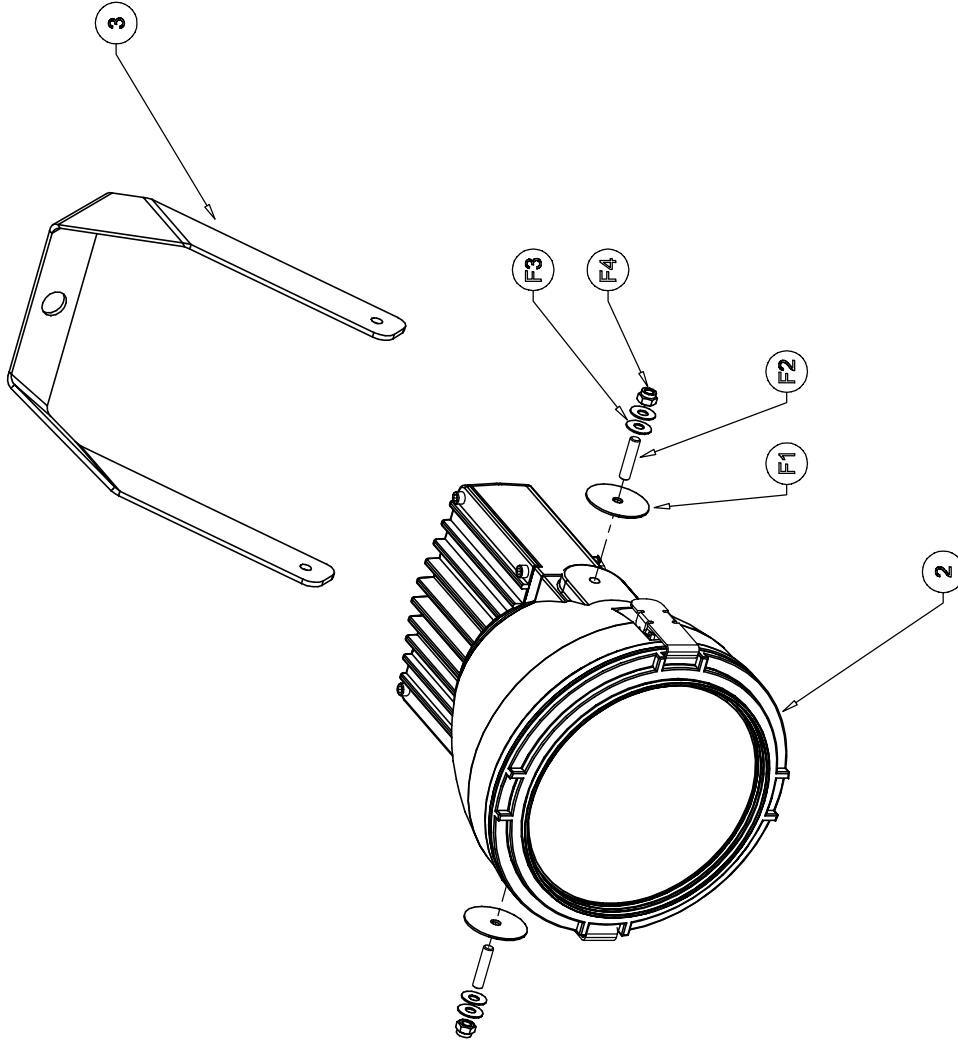
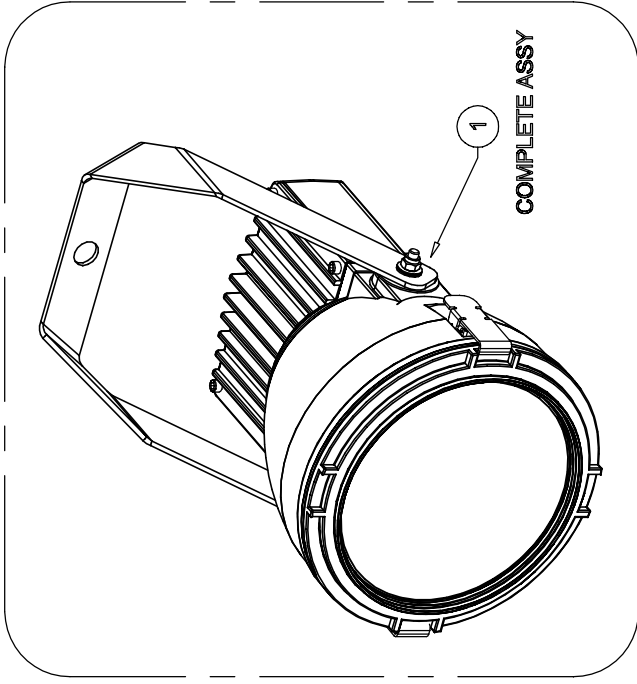
THIS DRAWING IS THE PROPERTY OF TAYLOR CONSTRUCTION PLANT LTD. AND MUST NOT BE REPRODUCED OR DISCLOSED EXCEPT AS AUTHORIZED BY TAYLOR CONSTRUCTION PLANT LTD.



ITEM	DRG. No.	STOCK No.	KIT	DESCRIPTION	QTY
19	TCP-3751	02-3751		WASHER M8x50x1.5	8
18	TCP-3407	01-3407		M8x20 EQUAL LENGTH STUD	8
17	ISO 7040 - M8	01-0007		HEX NUT WITH TORQUE PART	8
16	150w POLARIS LAMP	72-0251		150w POLARIS LAMP	4
15	TCP-3382	99-3382		JUNCTION BOX ASSEMBLY - LARGE	1
14	ISO 4014 - M10 x 80	01-0182		HEXAGON HEAD BOLT - PRODUCT GRADES A and B	1
13	ISO 7040 - M10	01-0006		HEX NUT WITH TORQUE PART	1
12	BS 4320 - M8 (Form A)	02-0011		BRIGHT METAL WASHER - METRIC SERIES	2
11	TCP-1090	80-0040		DECAL - WARNING HOT SURFACE	4
10	TCP-1091	80-0041		DECAL - WARNING LAMP GLASS BROKEN	4
9	ISO 7040 - M20	01-0046		HEX NUT WITH TORQUE PART	6
8	ISO 7040 - M4	01-0019		HEX NUT WITH TORQUE PART	4
7	BS 4320 - M4 (Form A)	02-0028		BRIGHT METAL WASHER - METRIC SERIES	4
6	TCP-3526	01-3526		M4 POZI PAN SMALL HEAD - GB-823	4
5	M8 DISK SPRING - D20821	40-0028		M8 DISK SPRING	16
4	D4020425	40-0010		M20 DISK SPRING	12
3	TCP-3745	51-3745		LAMP SUPPORT BRACKET FIXED - POLARIS	4
2	TCP-4053	51-4053		FRICITION WASHER GIMBAL TEE BAR	6
1	TCP-4046	51-4105		GIMBAL TEE BAR ASSY	1

ITEM	DRG. No.	STOCK No.	KIT	DESCRIPTION	QTY
MATERIAL					
SCALE 1:5					
DIMENSIONS IN mm					
TOL'S GENERAL +0.5					
PROCES + 1/2					
FINISH CLEAN & DEBURR					
TAYLOR CONSTRUCTION PLANT LTD. GARDEN ROAD, WALSLEY, CHRO. STA. S.S.16 TEL: 01924 611111 FAX: 01924 611111 WWW.TCP.CO.UK					
DRAWN CDR					
DATE 16/11/2011					
CHECKED					
DRG No. TCP-2970-06 SA					SHEET 1 OF 1
STOCK No. TCP-2970-06 SA					SA-2970-06
TITLE ECOLITE POLARIS LAMP GIMBAL ASSY					A2

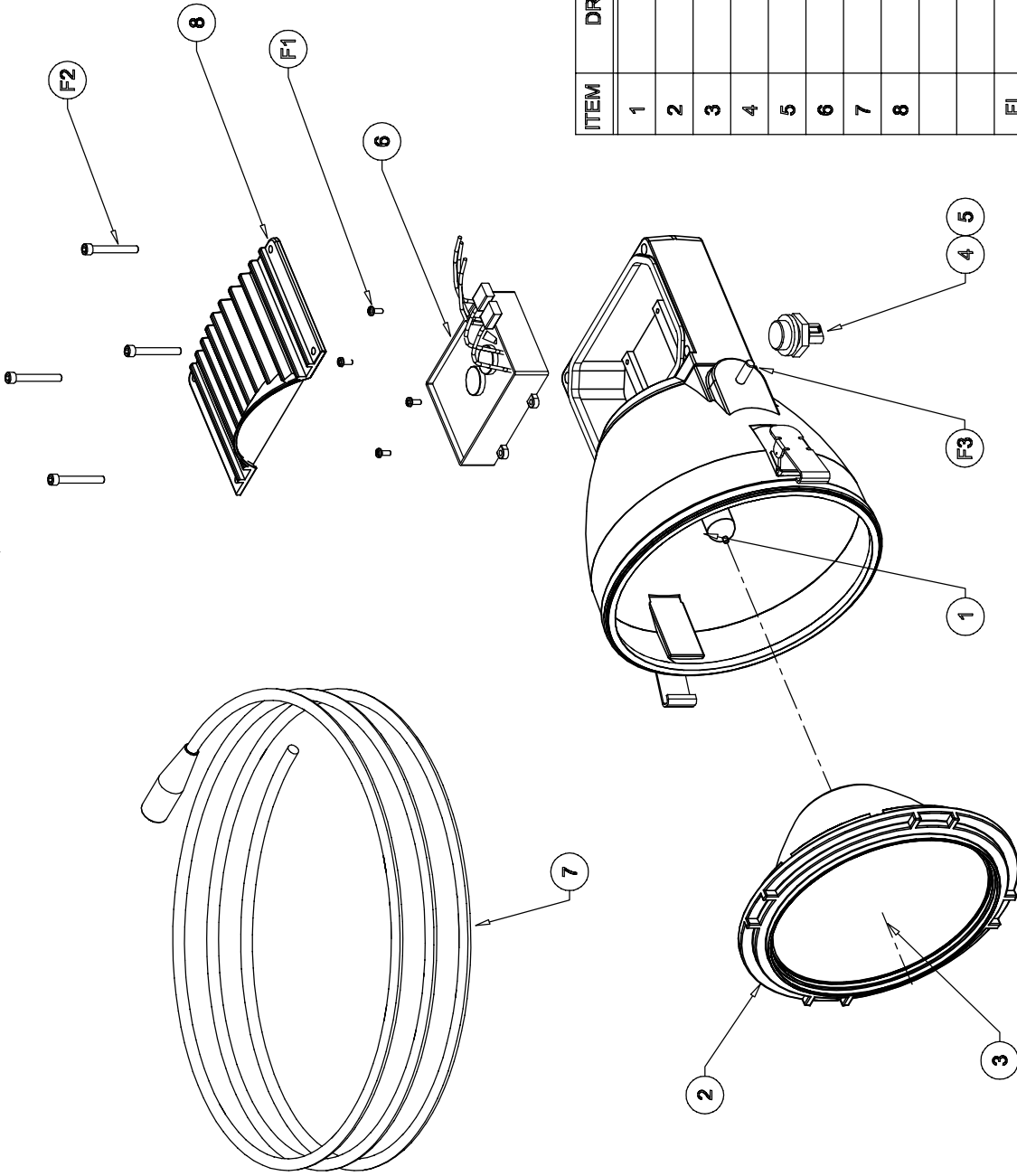
UNCONTROLLED DOCUMENT
 CHECK FOR AMMENDMENTS BEFORE USE



ITEM	DRG No.	PART/Kit No.	DESCRIPTION	QTY
1	TCP-3919-01 SA	99-3919-01	POLARIS LAMP 150W COMPLETE	1
2		72-0251	POLARIS LAMP 150W	1
3	TCP-3745	51-3745	BRACKET. LAMP SUPPORT	1
4		80-0040	DECAL, WARNING HOT SURFACES	1
5		80-0041	DECAL, WARNING LAMP GLASS	1
F1		02-3751	M8 x Ø50 x 1.5 WASHER BZP	2
F2		01-0295	M8 x 30 DOUBLE ENDED STUD	2
F3		40-0028	DISC SPRING 8.2 I/D	4
F4		01-0007	M8 NYLOC NUT	2

UNCONTROLLED DOCUMENT
CHECK FOR AMENDMENTS BEFORE USE

ISS		A		B		C		D		E		F		G		H	
ISS	DESCRIPTION	CHKD	DATE	ISS	DESCRIPTION	CHKD	DATE	ISS	DESCRIPTION	CHKD	DATE	ISS	DESCRIPTION	CHKD	DATE	ISS	DESCRIPTION
A	INITIAL ISSUE		04/13														
<p style="text-align: center;">TAYLOR CONSTRUCTION PLANT LTD. CLAYBIDE PARK, BATES ROAD, MALDON, ESSEX, CH8 8FA TEL: +44 (0)1627 753441 EXT 848880 WWW.TCP.EU.COM</p>																	
<p style="text-align: center;">TITLE: POLARIS LAMP, 150W 60 x 90 COMPLETE WITH MOUNT KIT, ECOLITE T, P & TRIPOD</p>																	
<p style="text-align: center;">DWG No. TCP-3919-01 SA Sht. 1 of 2 BTK No. 99-3919-01 DATE 30.04.2013</p>																	



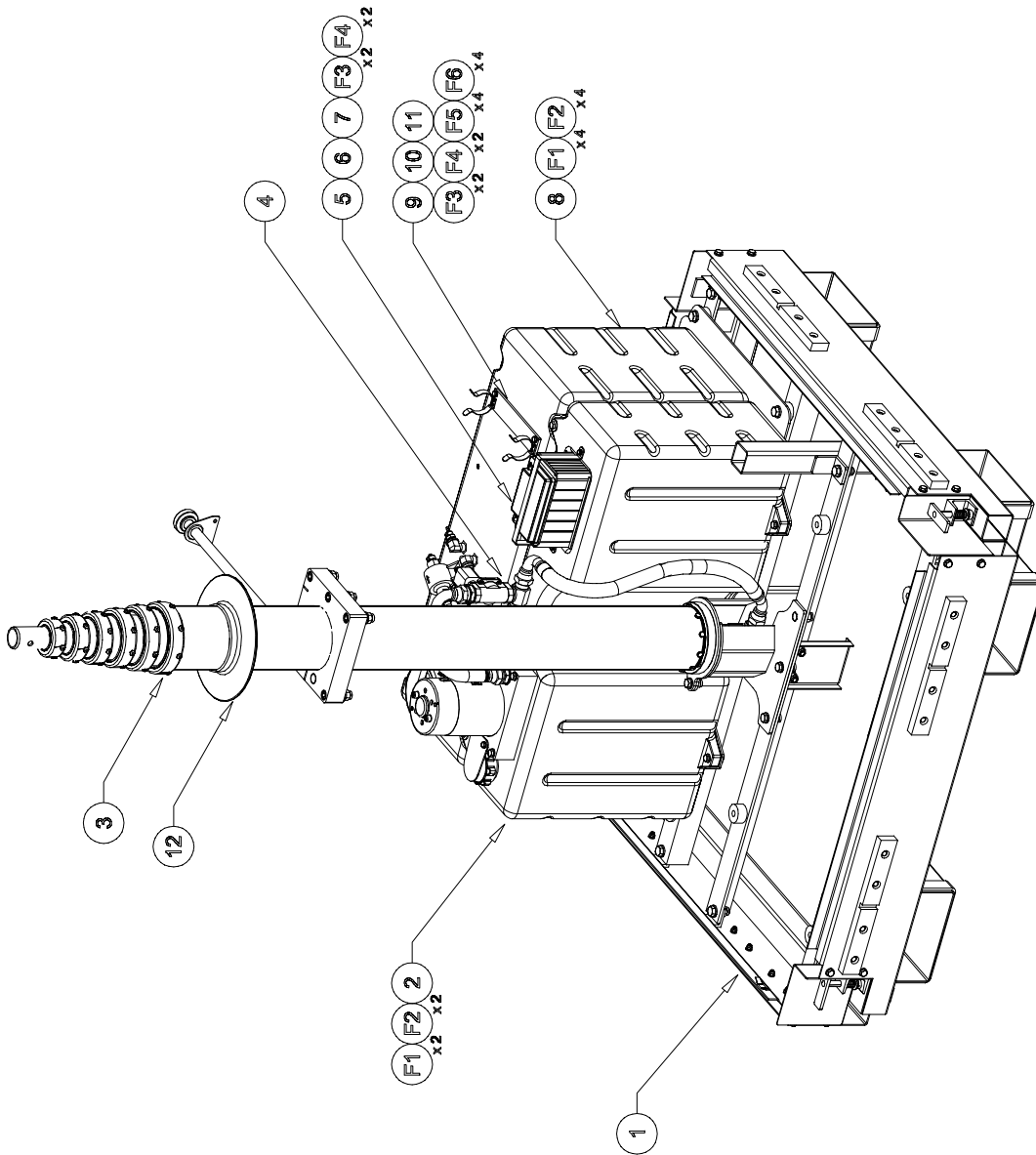
ITEM	DRG No.	PART/Kit No.	DESCRIPTION	QTY
1		72-0052	BULB, CDM 150W	1
2		72-0283	REFLECTOR & LENS ASSY	1
3		72-0232	LENS 60 x 90	1
4		72-0284	LAMP POWER SOCKET	1
5		72-0265	POWER SOCKET LOCKING PIN	1
6		72-0253	BALLAST 150W 220V	1
7		72-0255	POWER CABLE	1
8		72-0284	BALLAST COVER	1
F1			SUPPLIED WITH LAMP	4
F2		01-0319	M6 x 45 SKT HD SCREW ST/ST	4
F3		01-0295	M8 x 30 DOUBLE ENDED STUD	2

UNCONTROLLED DOCUMENT
CHECK FOR AMENDMENTS BEFORE USE

ISS		A		B		C		D		E		F		G		H	
INITIAL ISSUE		DESCRIPTION		CHKD	DATE	MATERIAL		DIMENSIONS IN		TAYLOR CONSTRUCTION PLANT LTD.		TITLE: POLARIS LAMP, 150W 60 x 90.		DRN		GAN	
04/13						FINISH.		SCALE 1:5		CLAYBIDE PARK, BATES ROAD,		REPLACEMENT PARTS.		CHKD		CHKD	
								TOLS: GENERAL		MALDON, ESSEX, CH19 8FA				APPD		APPD	
								HOLE CTRS/POSNS		TEL: +44 (0)1627 753441 EXT 643880		DWG No. TCP-3919-02 SA		DATE		DATE	
								HOLE Ø		WWW.TCP.EU.COM		Sht. 2 of 2		30.04.2013		30.04.2013	
								ANGLES									
								:0.26"									

ECOLITE-P V1
MAIN MODULE ASSY

N.B. TOP FRAME AND VERTICAL SUPPORTS NOT SHOWN FOR CLARITY.

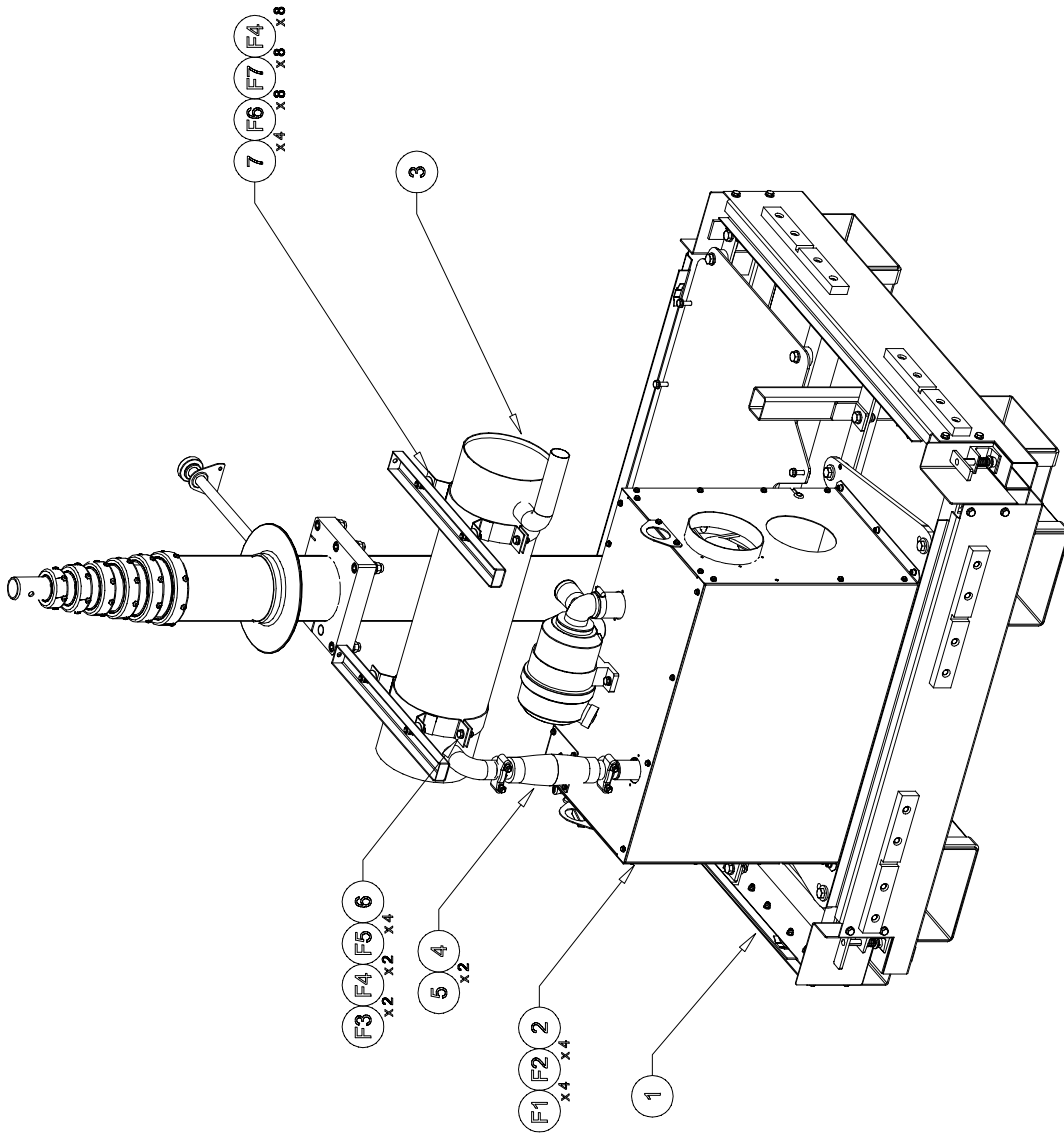


ITEM	DRG No.	PART No.	DESCRIPTION	QTY
1	TCP-4000-01 SA	99-4000-01	FRAME ASSY, BASIC ECO-P	1
2	TCP-2862 SA	99-2862-01	HYDRAULIC TANK ASSY, ECO-2	1
3	TCP-2945 SA	99-2945-01	MAST ASSY, COMPLETE	1
4	TCP-4119 SA	99-4119-01	HYDRAULIC KIT ASSY	1
5		70-0037	BATTERY 12V 16AH	1
6	TCP-2869	51-2869	BATTERY BRACKET	1
7	TCP-2958	30-2958	FOAM INLAY	1
8	TCP-2867	99-2867-01	FUEL TANK ASSY	1
9	TCP-4135	51-4135	MOUNT PLATE, DOC HOLDER	1
10		40-0124	TOOL CLIP	2
11		81-0004	DOC HOLDER TUBE, COMPLETE	1
12	TCP-4041	20-4041	WEATHERPROOF SEAL, MAST	1
F1		01-0225	M8 x 35 HEX SETSCREW	6
F2		02-0011	M8 WASHER	6
F3		01-0041	M6 x 12 HEX SETSCREW	4
F4		02-0013	M6 WASHER	4
F5		01-0031	M3 x 12 POZI PAN HD SCREW	4
F6		02-0017	M3 WASHER	4

UNCONTROLLED DOCUMENT
CHECK FOR AMENDMENTS BEFORE USE

MATERIAL AS PIECE PARTS		DIMENSIONS IN mm		TAYLOR CONSTRUCTION PLANT LTD.		TITLE: MAIN MODULE ASSY, SHOWING TANKS		DRN	GAN
FINISH CLEAN & DEBURR AS PIECE PARTS		SCALE 1:10	TOL'S GENERAL ±0.25	QUAYSIDE PARK, BATES ROAD, MALDON, ESSEX, CH8 8FA		ECOLITE P		CHKD	
INITIAL ISSUE		HOLE Ø	ANGLES	TEL: +44(0)1627 80777 FAX: +44(0)1627 84880		DWG No. TCP-4121-01 SA		APPD	DATE
ISS	DESCRIPTION	CHKD	DATE	WWW.TCP.EU.COM		Sht. 1 of 3 SA-4121-01			25.02.2009

N.B. TOP FRAME AND VERTICAL SUPPORTS NOT SHOWN FOR CLARITY.



ITEM	DRG No.	PART No.	DESCRIPTION	QTY
1	TCP-4000-01 SA	99-4000-01	FRAME ASSY, BASIC ECO-P	1
2	TCP-3029-02 SA	99-3029-02	ECOLITE 2 POWER UNIT	1
3	TCP-4060-01	10-4060-01	EXHAUST BOX - MILD STEEL	1
4	TCP-4062	10-4062	FLEXIBLE COUPLING	1
5		10-0049	Ø38 EXHAUST 'U' CLAMP	2
6	TCP-4063	10-4063	EXHAUST HANGER BRACKETS	2
7	TCP-4099	10-4099	EXHAUST INSULATOR	4
F1		01-0091	M12 x 25 HEX SETSCREW	4
F2		02-0021	M12 WASHER	6
F3		01-0013	M8 x 25 HEX SETSCREW	2
F4		02-0011	M8 WASHER	12
F5		01-0007	M8 NYLOC NUT	2
F6		01-0020	M8 FULL NUT	8
F7		02-0012	M8 RECT SPRING WASHER	8

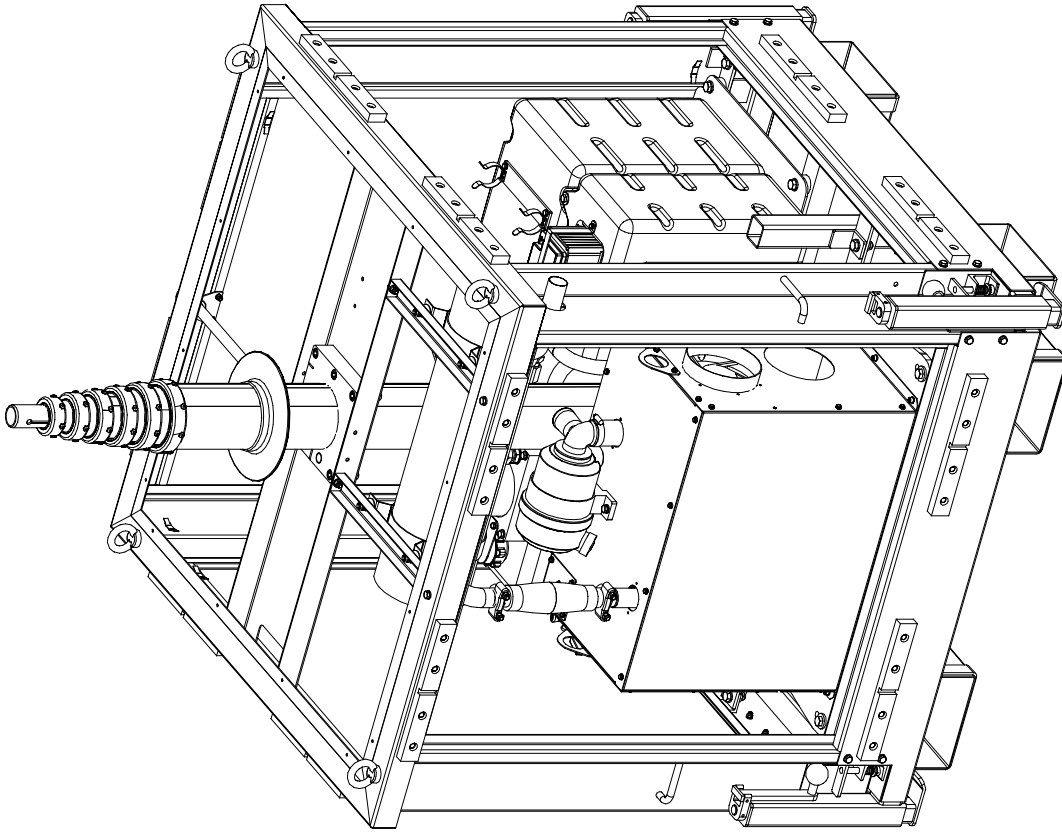
UNCONTROLLED DOCUMENT
CHECK FOR AMENDMENTS BEFORE USE

MATERIALS		DIMENSIONS IN mm		TAYLOR CONSTRUCTION PLANT LTD.		TITLE: MAIN MODULE ASSY, SHOWING ENGINE		DRN	GAN
MATERIALS		SCALE	TOL'S: GENERAL	QUAYSIDE PARK, BATES ROAD, MALDON, ESSEX, CH8 8FA		ECOLITE P		CHKD	
FINISH: CLEAN & DEBURR AS PIECE PARTS		HOLE Ø	ANGLES	TEL: +44(0)1627 800777 FAX: +44(0)1627 843880 WWW.TCP.EU.COM		DWG No. TCP-4121-01 SA Sht. 2 of 3		DATE	
A	INITIAL ISSUE					STRK No. SA-4121-01		APPD	
ISS	DESCRIPTION							DATE	25.03.2009

THIRD ANGLE PROJECTION

TAYLOR CONSTRUCTION PLANT LTD. RESERVE THE RIGHT TO CHANGE PRODUCTS & SPECIFICATIONS WITHOUT PRIOR NOTICE.

DWG No. TCP-4121-01 SA

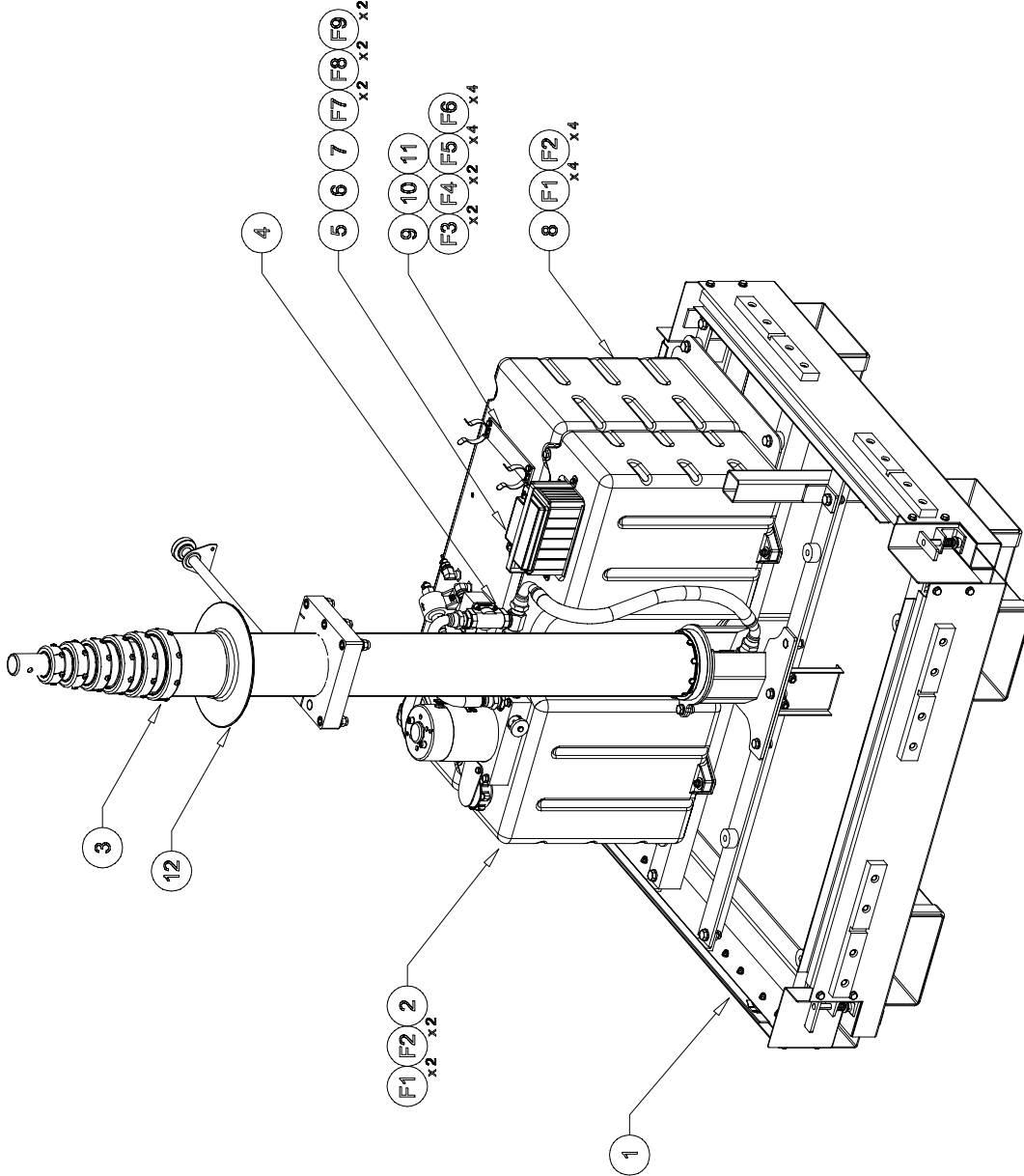


UNCONTROLLED DOCUMENT
CHECK FOR AMENDMENTS BEFORE USE

A		B		C		D		E		F		G		H					
ISS	INITIAL ISSUE	03/09	DATE	FINISH	CLEAN & DEBURR AS PIECE PARTS	MATL.	AS PIECE PARTS	DIMENSIONS IN				TAYLOR CONSTRUCTION PLANT LTD.		TITLE: MAIN MODULE ASSY, SHOWING ALL ECOLITE P		DRN	GAN		
								SCALE	1:10	MIN	QUAYSIDE PARK, BATES ROAD, MALDON, ESSEX, CH10 8FA		DWG No. TCP-4121-01 SA		SHt 3 of 3	STK No.	SA-4121-01	CHKD	
								TOL'S: GENERAL	±0.25	±0.25	TEL: +44(0)1627 753444/1621 843880		SA-4121-01				DATE		25.03.2009
								HOLE Ø	H8	H8	WWW.TCP.EU.COM								
								ANGLES	±0.5°	±0.5°									

ECOLITE-P V2
MAIN MODULE ASSY

N.B. TOP FRAME AND VERTICAL SUPPORTS NOT SHOWN FOR CLARITY.



UNCONTROLLED DOCUMENT
CHECK FOR AMENDMENTS BEFORE USE

ITEM	DRG No.	PART No.	DESCRIPTION	QTY
1	TCP-4000-01 SA	99-4000-01	FRAME ASSY, BASIC ECO-P	1
2	TCP-3374 SA	99-3374-01	HYDRAULIC TANK ASSY, V2	1
3	TCP-2945 SA	99-2945-01	MAST ASSY, COMPLETE	1
4	TCP-4229-01 SA	99-4229-01	HYDRAULIC KIT ASSY, V2	1
5		70-0037	BATTERY 12V 16AH	1
6	TCP-2869	51-2869	BATTERY BRACKET	1
7	TCP-2958	30-2958	FOAM INLAY	1
8	TCP-2867	99-2867-01	FUEL TANK ASSY	1
9	TCP-4135	51-4135	MOUNT PLATE, DOC HOLDER	1
10		40-0124	TOOL CLIP	2
11		81-0004	DOC HOLDER TUBE, COMPLETE	1
12	TCP-4041	20-4041	WEATHERPROOF SEAL, MAST	1
F1		01-0225	M8 x 35 HEX SETSCREW	6
F2		02-0011	M8 WASHER	6
F3		01-0041	M6 x 12 HEX SETSCREW	2
F4		02-0013	M6 WASHER	2
F5		01-0266	M3 x 6 POZI PAN HD SCREW	4
F6		02-0017	M3 WASHER	4
F7		01-0041	M5 x 12 HEX HD SCREW	2
F8		02-0056	M5 SPRING WASHER	2
F9		02-0013	M5 WASHER	2

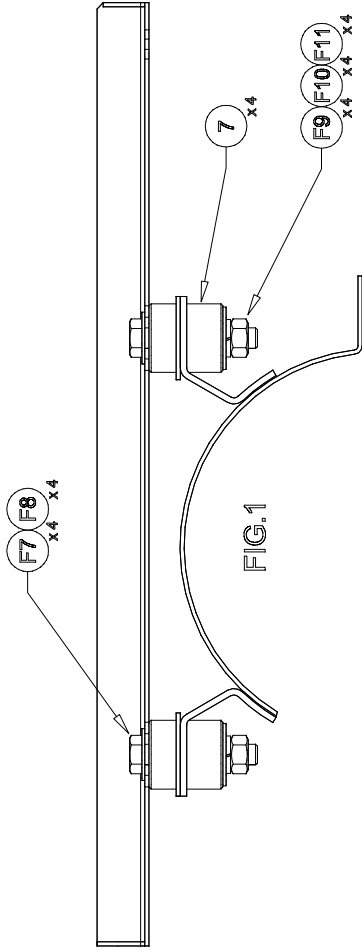
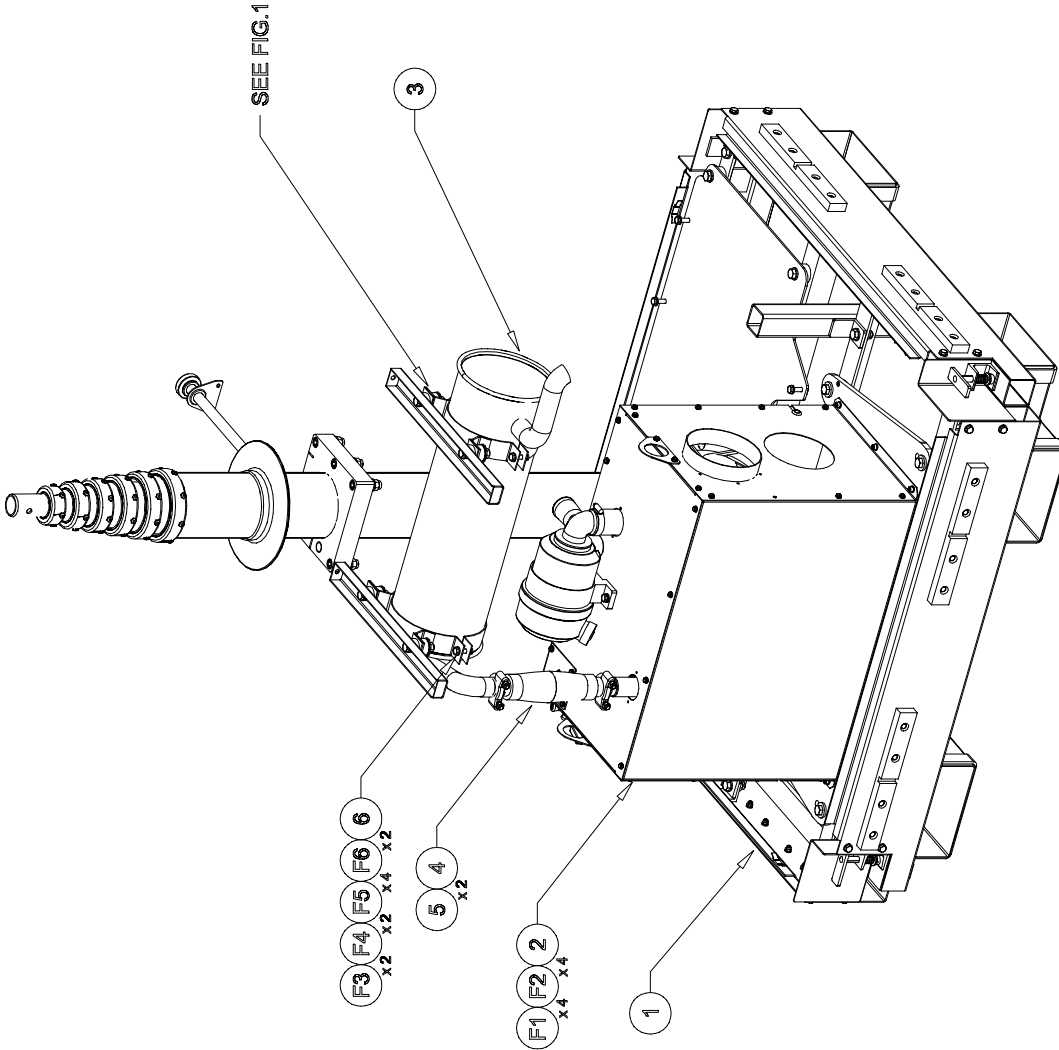
DWG No. TCP-4121-01 SA

ISS	DESCRIPTION	CHKD	DATE	A	B	C	D	E	F	G	H
E	SEE DCA 00620	05/11									
D	SEE DCA 00618	05/11									
C	SEE DCA 00575	11/10									
B	SEE DCA 00511	05/10									
A	INITIAL ISSUE	03/09									

MATERIALS		05/11	AS PIECE PARTS
FINISH		05/10	CLEAN & DEBURR AS PIECE PARTS

DIMENSIONS IN		mm
SCALE	1:10	
TOL'S: GENERAL	:±0.25	
HOLE CTRS/POSNS	:±0.2	
HOLE Ø	H8	
ANGLES	:±0.5°	

TITLE:		MAIN MODULE ASSY, SHOWING TANKS	
ECOLITE P			
DWG No.	TCP-4121-01 SA	Sheet	1 of 3
STK No.	SA-4121-01	DATE	25.02.2009



ITEM	DRG No.	PART No.	DESCRIPTION	QTY
1	TCP-4000-01 SA	99-4000-01	FRAME ASSY, BASIC ECO-P	1
2	TCP-3029-04 SA	99-3029-04	ECOLITE 2 POWER UNIT	1
3	TCP-4060-01	10-4060-01	EXHAUST BOX - MILD STEEL	1
4	TCP-4062	10-4062	FLEXIBLE COUPLING	1
5	TCP-4063	10-0049	Ø38 EXHAUST 'U' CLAMP	2
6	TCP-4063	10-4063	EXHAUST HANGER BRACKETS	2
7	TCP-3524	10-3524	EXHAUST MOUNT (2 PIECE)	4
F1		01-0091	M12 x 25 HEX SETSCREW	4
F2		02-0021	M12 WASHER	6
F3		01-0099	M8 x 45 HEX SETSCREW	2
F4		02-0011	M8 WASHER	4
F5		02-0012	M8 RECT SPRING WASHER	2
F6		01-0020	M8 FULL NUT	2
F7		01-0197	M10 x 55 HEX SETSCREW	4
F8		01-0248	M10 WASHER Ø25 x 1.5	4
F9		02-3547	M10 WASHER Ø30, Lge DIAMETER	4
F10		02-0008	M10 RECT SPRING WASHER	4
F11		01-0055	M10 FULL NUT	4

UNCONTROLLED DOCUMENT
CHECK FOR AMENDMENTS BEFORE USE

ISS	DATE	DESCRIPTION	CHK'D	DATE	DRN	GAN
D	02/11	SEE DCA 00580			CHKD	
C	11/10	SEE DCA 00575			APPD	
B	05/10	FINISH CLEAN & DEBURR			DATE	
A	03/09	AS PIECE PARTS			DATE	25.03.2009

MATERIALS		MATERIALS	
D	SEE DCA 00580	D	SEE DCA 00580
C	SEE DCA 00575	C	SEE DCA 00575
B	SEE DCA 00511	B	SEE DCA 00511
A	INITIAL ISSUE	A	INITIAL ISSUE

DIMENSIONS IN		DIMENSIONS IN	
SCALE	1:10	SCALE	1:10
TOL'S: GENERAL	±0.25	TOL'S: GENERAL	±0.25
HOLE CTRS/POSNS	±0.2	HOLE CTRS/POSNS	±0.2
HOLE Ø	H8	HOLE Ø	H8
ANGLES	±0.5°	ANGLES	±0.5°

TAYLOR CONSTRUCTION PLANT LTD.		TAYLOR CONSTRUCTION PLANT LTD.	
QUAYSIDE PARK, BATES ROAD, MALDON, ESSEX, CH8 8FA		QUAYSIDE PARK, BATES ROAD, MALDON, ESSEX, CH8 8FA	
TEL: +44(0)1627 80777 FAX: +44(0)1627 84380		TEL: +44(0)1627 80777 FAX: +44(0)1627 84380	
WWW.TCP.EU.COM		WWW.TCP.EU.COM	

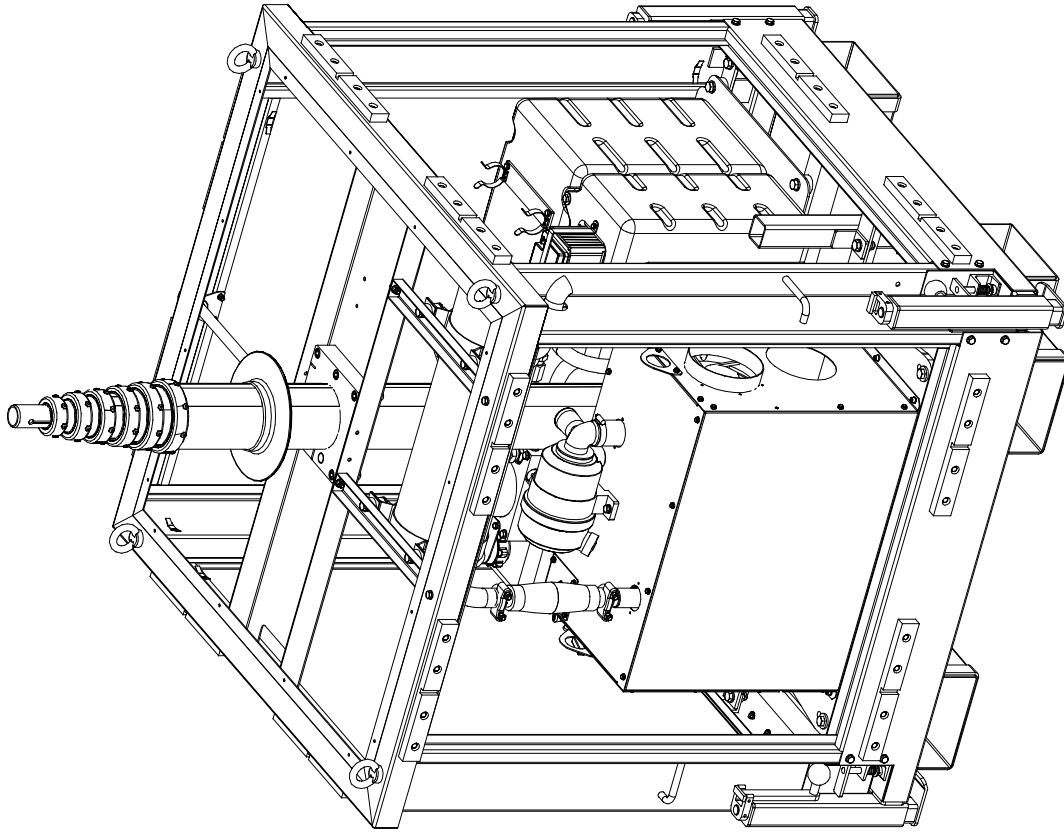
TITLE: MAIN MODULE ASSY, SHOWING ENGINE		TITLE: MAIN MODULE ASSY, SHOWING ENGINE	
ECOLITE P		ECOLITE P	
DWG No. TCP-4121-01 SA	SHt. 2 of 3	STK No. SA-4121-01	DATE 25.03.2009

THIS DRAWING IS THE PROPERTY OF TAYLOR CONSTRUCTION PLANT LTD. AND MUST NOT BE COPIED, REPRODUCED OR DISCLOSED EXCEPT AS AUTHORIZED IN WRITING BY TAYLOR CONSTRUCTION PLANT LTD. © 2008

THIRD ANGLE PROJECTION

TAYLOR CONSTRUCTION PLANT LTD. RESERVE THE RIGHT TO CHANGE PRODUCTS & SPECIFICATIONS WITHOUT PRIOR NOTICE.

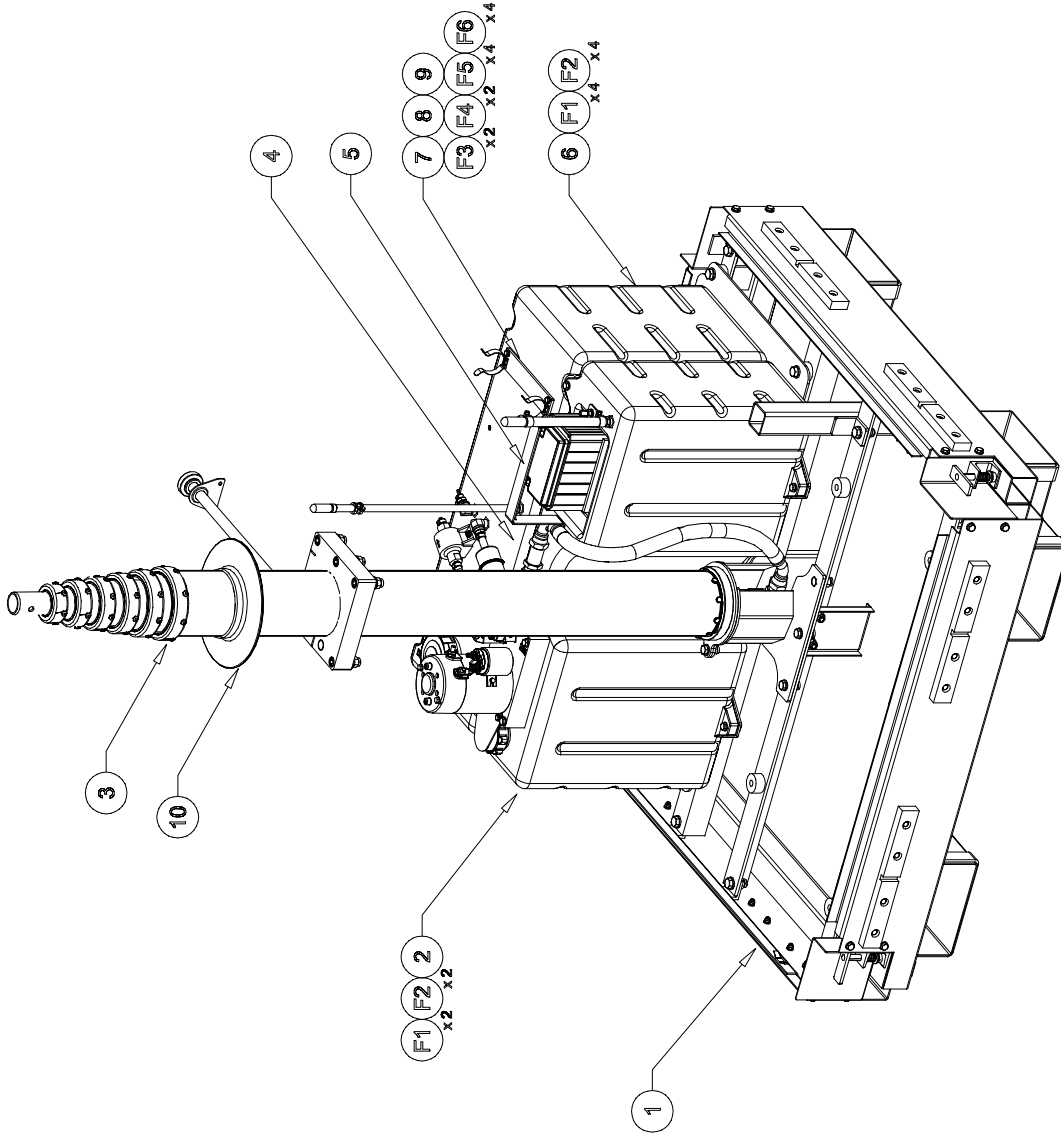
DWG No. TCP-4121-01 SA



UNCONTROLLED DOCUMENT
CHECK FOR AMENDMENTS BEFORE USE

C		SEE DCA 00575	11/10	MATL. AS PIECE PARTS	DIMENSIONS IN mm		TITLE: MAIN MODULE ASSY, SHOWING ALL ECOLITE P		DRN GAN
B		SEE DCA 00511	05/10	FINISH CLEAN & DEBURR AS PIECE PARTS	SCALE 1:10	TOI'S: GENERAL ±0.25	TAYLOR CONSTRUCTION PLANT LTD. QUAYSIDE PARK, BATES ROAD, MALDON, ESSEX, CH10 8FA TEL: +44(0)1627 753441 FAX: +44(0)1627 843880 WWW.TCP.EU.COM		CHKD
A		INITIAL ISSUE	03/09		HOLE Ø H8	ANGLES ±0.5°	DWG No. TCP-4121-01 SA Sht. 3 of 3		APPD
ISS		DESCRIPTION	DATE				STK No. SA-4121-01		DATE
							G		25.03.2009
							H		

ECOLITE-P V3
MAIN MODULE ASSY

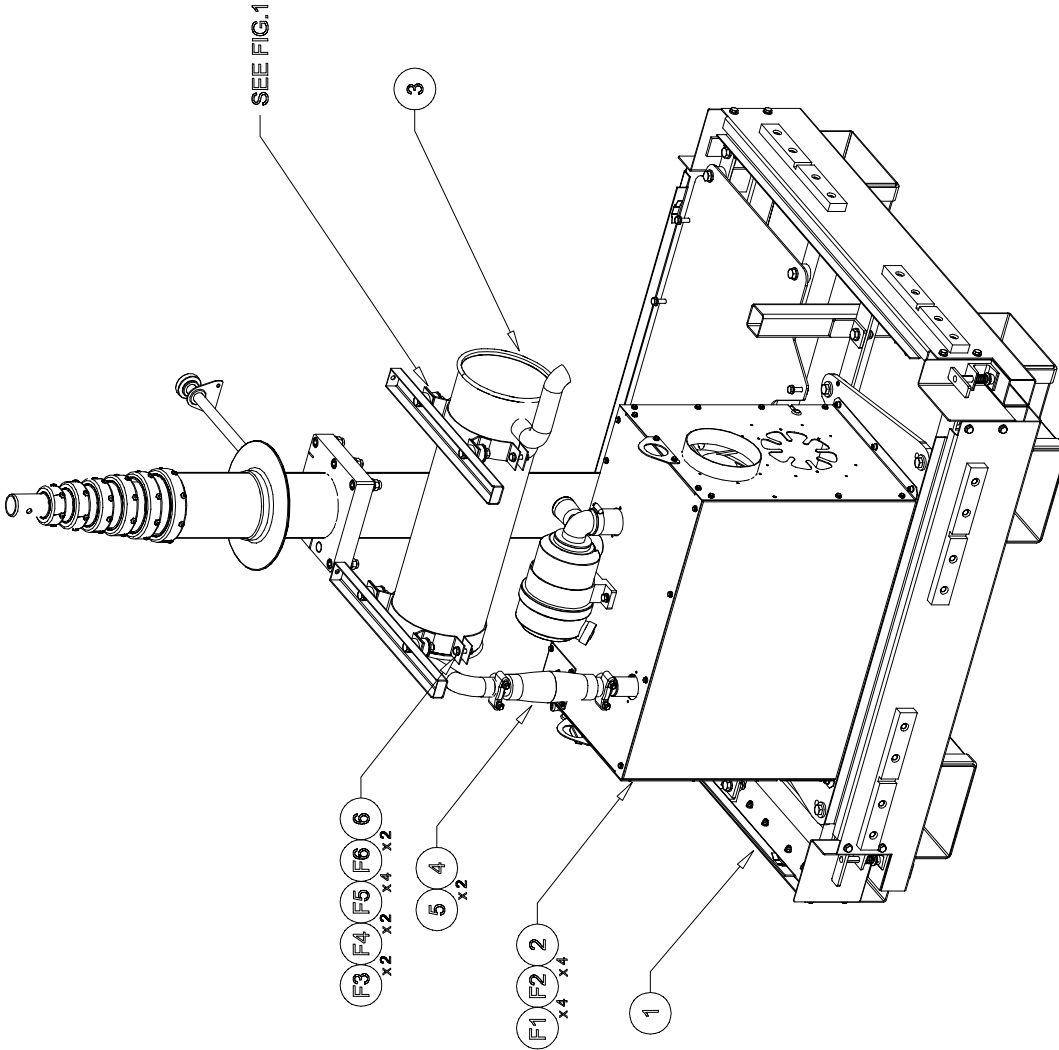


N.B. TOP FRAME AND VERTICAL SUPPORTS NOT SHOWN FOR CLARITY.

ITEM	DRG No.	PART No.	DESCRIPTION	QTY
1	TCP-4000-01 SA	99-4000-01	FRAME ASSY, BASIC ECO-P	1
2	TCP-3510 SA	99-3510-01	HYDRAULIC TANK ASSY, V2	1
3	TCP-3594 SA	99-3594-01	MAST ASSY, PROFILE COMPLETE	1
4	TCP-4253-01 SA	99-4253-01	HYDRAULIC KIT ASSY, V2	1
5		70-0037	BATTERY 12V 16AH	1
6	TCP-3511	99-3511-01	FUEL TANK ASSY, V2	1
7	TCP-4135	51-4135	MOUNT PLATE, DOC HOLDER	1
8		40-0124	TOOL CLIP	2
9		81-0004	DOC HOLDER TUBE, COMPLETE	1
10	TCP-4041	20-4041	WEATHERPROOF SEAL, MAST	1
F1		01-0225	M8 x 35 HEX SETSCREW	6
F2		02-0011	M8 WASHER	6
F3		01-0041	M6 x 12 HEX SETSCREW	2
F4		02-0013	M6 WASHER	2
F5		01-0266	M3 x 6 POZI PAN HD SCREW	4
F6		02-0017	M3 WASHER	4

UNCONTROLLED DOCUMENT
CHECK FOR AMENDMENTS BEFORE USE

MATERIALS		DIMENSIONS IN		TAYLOR CONSTRUCTION PLANT LTD.		TITLE: MODULE ASSY, SHOWING TANKS V3		DRN GAN	
MATERIALS		SCALE		QUAYSIDE PARK, BATES ROAD,		ECOLITE P		CHKD	
FINISH		TOL'S: GENERAL		MALDON, ESSEX, CH19 8FA		DWG No. TCP-4121-02 SA		APPD	
AS PIECE PARTS		HOLE CTRS POSNS		TEL: +44 (0)1627 753441 EXT 4-8380		Sht. 1 of 3		DATE	
AS PIECE PARTS		HOLE Ø		WWW.TCP.EU.COM		SA-4121-02		15.06.2011	
AS PIECE PARTS		ANGLES							
A	INITIAL ISSUE	06/11							
B	CHKD								
C	DESCRIPTION								
D									
E									
F									
G									
H									



F7 (F8)
x4 x4

SEE FIG. 1

FIG. 1

ITEM	DRG No.	PART No.	DESCRIPTION	QTY
1	TCP-4000-01 SA	99-4000-01	FRAME ASSY, BASIC ECO-P	1
2	TCP-3029-04 SA	99-3029-04	ECOLITE 2 POWER UNIT	1
3	TCP-4060-01	10-4060-01	EXHAUST BOX - MILD STEEL	1
4	TCP-4062	10-4062	FLEXIBLE COUPLING	1
5	TCP-4063	10-0049	Ø38 EXHAUST 'U' CLAMP	2
6	TCP-4063	10-4063	EXHAUST HANGER BRACKETS	2
7	TCP-3524	10-3524	EXHAUST MOUNT (2 PIECE)	4
F1		01-0091	M12 x 25 HEX SETSCREW	4
F2		02-0021	M12 WASHER	6
F3		01-0099	M8 x 45 HEX SETSCREW	2
F4		02-0011	M8 WASHER	4
F5		02-0012	M8 RECT SPRING WASHER	2
F6		01-0020	M8 FULL NUT	2
F7		01-0197	M10 x 55 HEX SETSCREW	4
F8		01-0248	M10 WASHER Ø25 x 1.5	4
F9		02-3547	M10 WASHER Ø30, Lge DIAMETER	4
F10		02-0008	M10 RECT SPRING WASHER	4
F11		01-0055	M10 FULL NUT	4

UNCONTROLLED DOCUMENT
CHECK FOR AMENDMENTS BEFORE USE

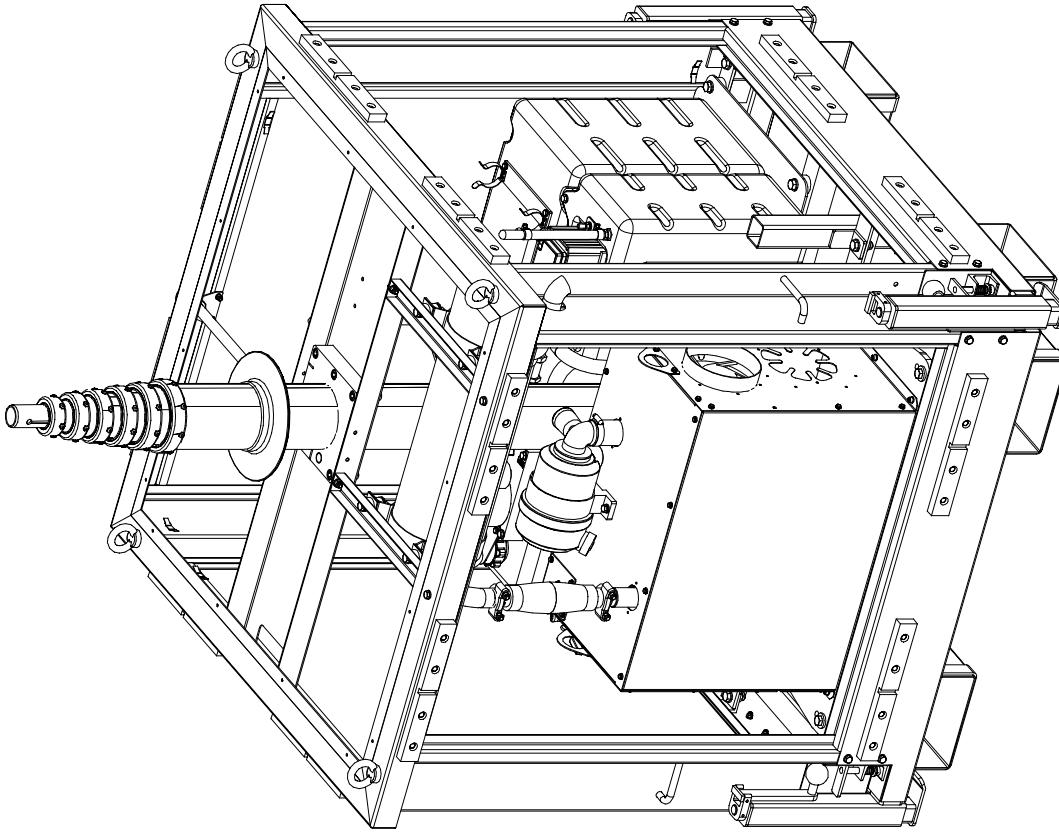
MATERIALS		DIMENSIONS IN		TAYLOR CONSTRUCTION PLANT LTD.		TITLE:		DRN	
MATERIALS		SCALE	TOL'S:	TAYLOR CONSTRUCTION PLANT LTD.		MAIN MODULE ASSY, SHOWING ENGINE V3		CHKD	
FINISH		HOLE Ø	ANGLES	QUAYSIDE PARK, BATES ROAD,		ECOLITE P		APPD	
AS PIECE PARTS				MALDON, ESSEX, CH8 8FA		DWG No. TCP-4121-02 SA		DATE	
CLEAN & DEBURR				TEL: +44(0)1627 80777 FAX: +44(0)1627 84380		Sht. 2 of 3		SA-4121-02	
AS PIECE PARTS				WWW.TCP.EU.COM		STK No.		20.06.2011	
ISS	DESCRIPTION	CHKD	DATE						
A	INITIAL ISSUE		06/11						

THIS DRAWING IS THE PROPERTY OF TAYLOR CONSTRUCTION PLANT LTD.
 AND MUST NOT BE COPIED REPRODUCED OR DISCLOSED EXCEPT
 AS AUTHORISED IN WRITING BY TAYLOR CONSTRUCTION PLANT LTD. © 2008

THIRD ANGLE PROJECTION

TAYLOR CONSTRUCTION PLANT LTD. RESERVE THE RIGHT TO
 CHANGE PRODUCTS & SPECIFICATIONS WITHOUT PRIOR NOTICE.

DWG No. TCP-4121-02 SA



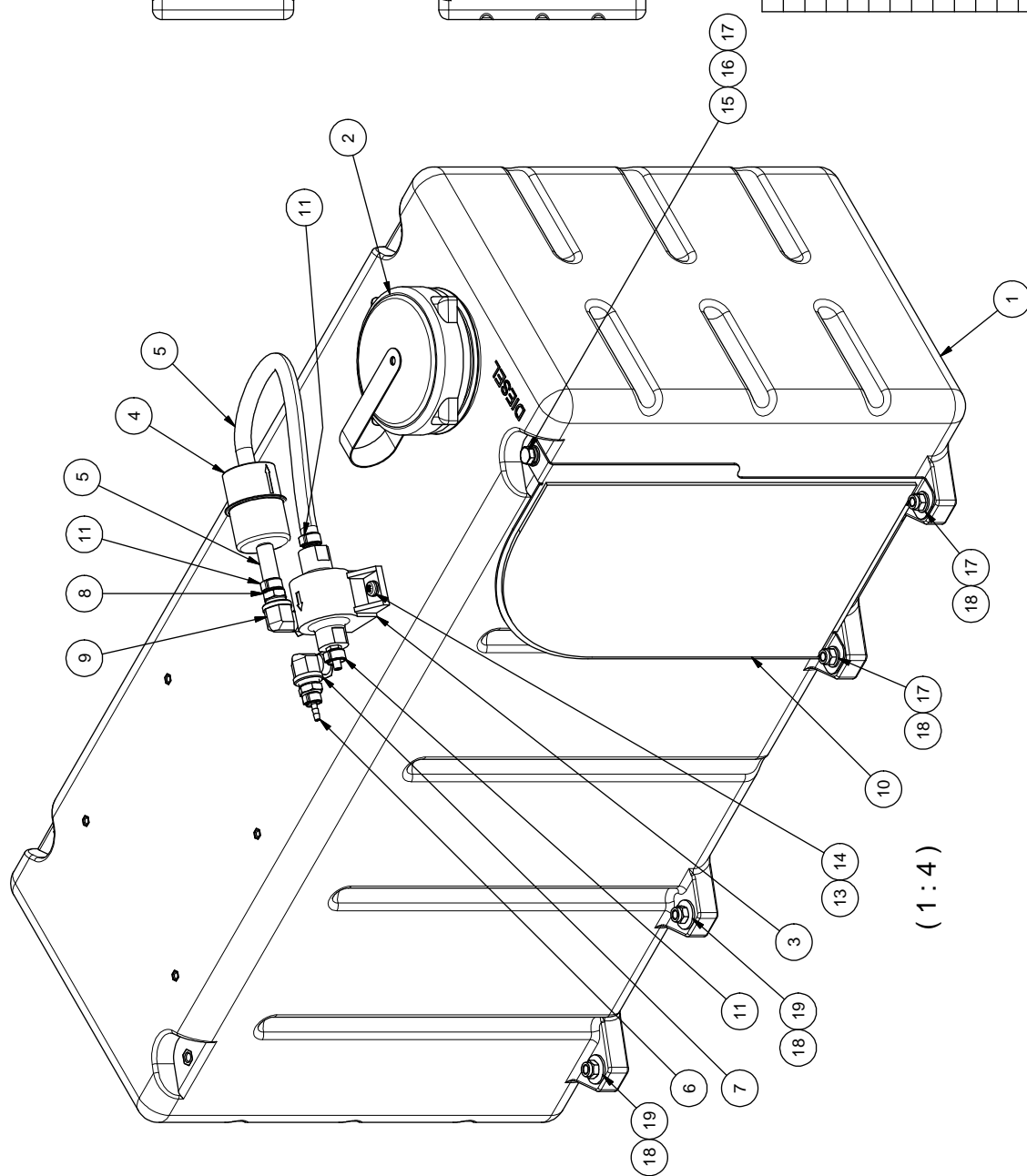
UNCONTROLLED DOCUMENT
CHECK FOR AMENDMENTS BEFORE USE

A		B		C		D		E		F		G		H	
ISS	DESCRIPTION	CHKD	DATE	MATERIAL		DIMENSIONS IN		TAYLOR CONSTRUCTION PLANT LTD.		TITLE		DRN		GAN	
A	INITIAL ISSUE	06/11		AS PIECE PARTS		SCALE		QUAYSIDE PARK, BATES ROAD, MALDON, ESSEX, CH10 8FA TEL: +44 (0)1627 753441 EXT 943880 WWW.TCP.EU.COM		MAIN MODULE ASSY, SHOWING ALL V3 ECOLITE P		CHKD			
				FINISH CLEAN & DEBURR AS PIECE PARTS		TOL'S: GENERAL				DWG No. TCP-4121-02 SA		APPD		DATE	
						HOLE Ø				Sht. 3 of 3		SA-4121-02		20.06.2011	
						ANGLES									
						:10									
						:0.25									
						:0.2									
						H8									
						:0.5°									

ECOLITE-P V1

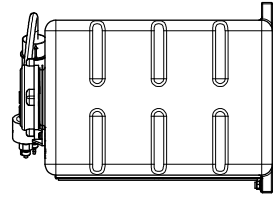
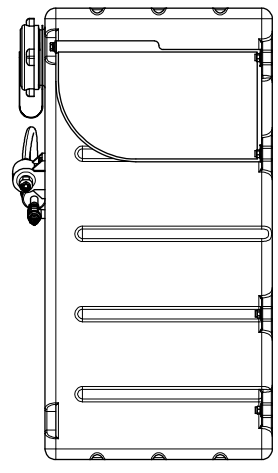
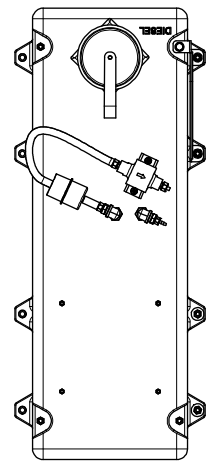
FUEL TANK

ISS	DESCRIPTION	DATE
A	INITIAL ISSUE	24/07/2008
B	SEE DCA 00283	12/08/2008



(1 : 10)

(1 : 4)



ITEM	DRG. NO.	STOCK NO.	KIT	DESCRIPTION	QTY
19	DIN 9021 - 8.4	02-0050		WASHER	2
18	ISO 7040 - M8			HEX NUT WITH TORQUE PART	4
17	BS 4320 - M8 (FORM A)	02-0011		BRIGHT METAL WASHER - METRIC SERIES	3
16	BS 4464 - M8 FORM B	02-0012		SPRING WASHER - METRIC SERIES	1
15	ISO 4017 - M8 X 16 ST/ST	01-0079		HEXAGON HEAD SCREW	1
14	BS 4320 - M6 (FORM A)	02-0004		BRIGHT METAL WASHER - METRIC SERIES	2
13	ISO 7045 - M6 X 16 - 4.8 - Z	01-0201		PAN HEAD SCREW - GRADE A	2
12	TCP-3067	14-0037		HOSE CLIP DIA 11.5MM	1
11	TCP-3068	14-0038		HOSE CLIP DIA 13.3MM	3
10	TCP-3024	10-3024		EXHAUST HEAT SHIELD ASSY	1
9	TCP-3066	14-3066		FUEL PICKUP	1
8	TCP-3063	61-3063		3/8 BSP TO 7MM HOSE BARB TO MALE	1
7	TCP-3064	61-3064		3/8-3/8 BSPT 90 ELBOW MALE FEMALE	1
6	TCP-3065	61-3065		3/8 BSP TO 5MM HOSE BARB TO MALE	1
5	TCP-2186	14-0035		7MM ID FUEL HOSE	2
4	TCP-2385	12-2891		HATZ INLINE FUEL FILTER	1
3	TCP-2852	71-0138		12V FACET FUEL PUMP	1
2	TCP-2931	14-3337		FUEL FILLER CAP	1
1	TCP-2868	14-2868		FUEL TANK	1

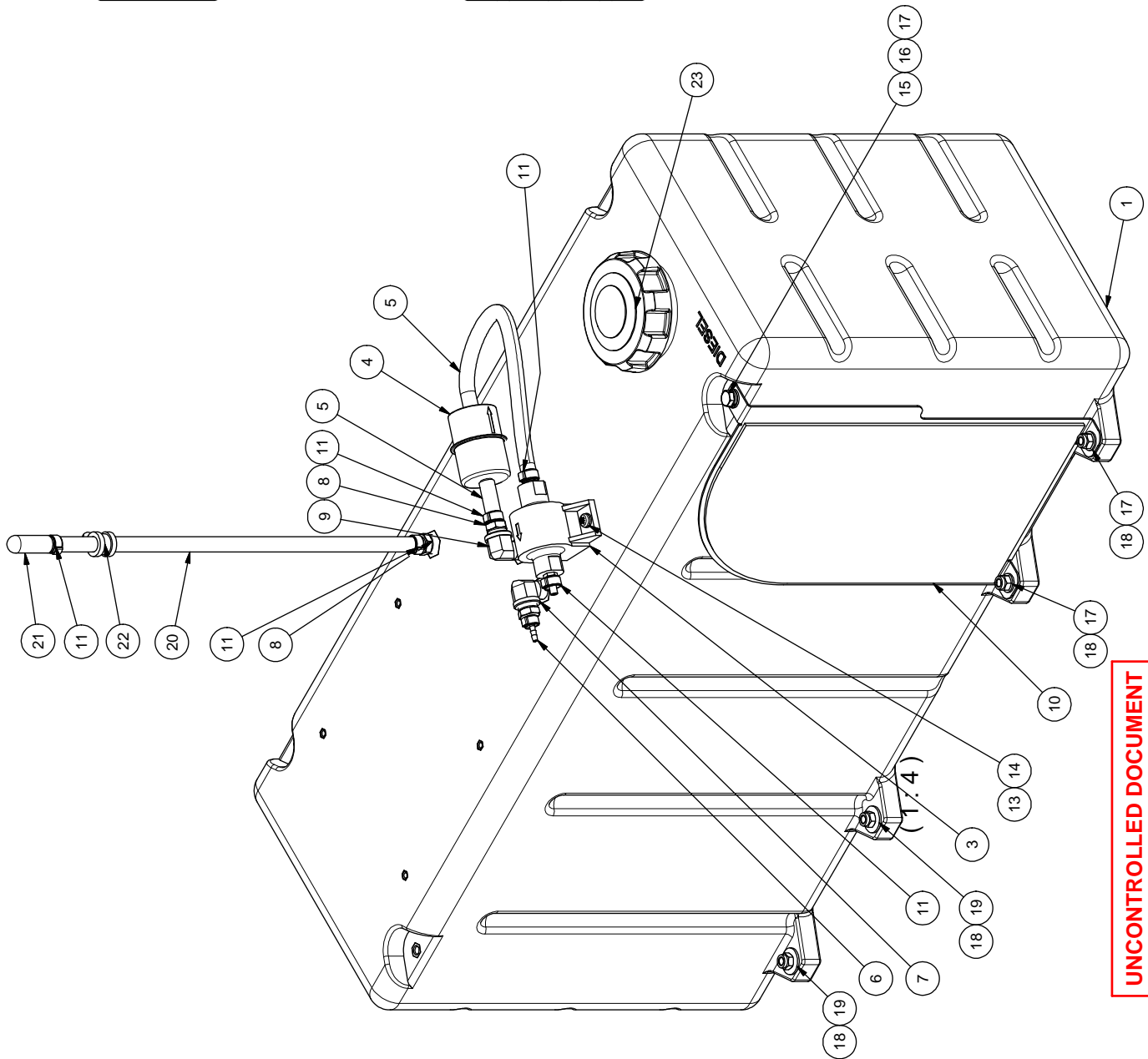
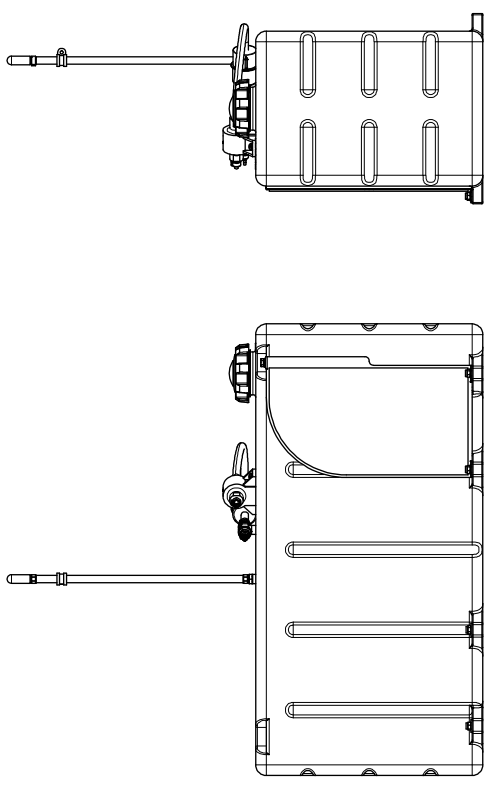
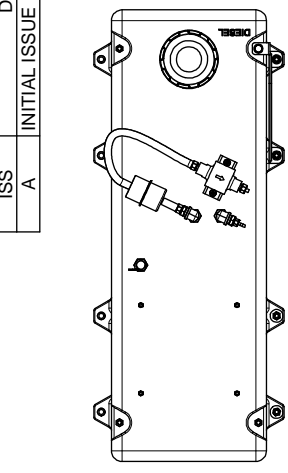
UNCONTROLLED DOCUMENT
CHECK FOR AMMENDMENTS BEFORE USE

TAYLOR CONSTRUCTION PLANT LTD.		DRAWN RC		TITLE FUEL TANK ASSY	
QUAY ROAD, BRISTOL, AVON, ENGLAND		DATE 24/07/2008		THIRD ANGLE	
TEL +441621 850777 FAX +441621 843330		CHECKED		SHEET 1 STOCK NO SA-2867	
WWW.TCP.EU.COM		DRG. NO. TCP-2867 SA		OF 1	

ECOLITE-P V2

FUEL TANK

ISS	DESCRIPTION	DATE
A	INITIAL ISSUE	15/11/2010



ITEM	DRG. NO.	STOCK NO.	KIT	DESCRIPTION	QTY
23	TCP-3529	14-3529		KELCH NON-VENTED FILLER CAP	1
22	TCP-3515	03-0057		P-CLIP Ø14	1
21	TCP-3507	14-3507		SILENCER 8MM ID, FUEL TANK	1
20	TCP-3513	14-0035		7MM FUEL HOSE, BREATHER, 410MM LG FOR ECO-P, 205MM LG FOR ECO-T	1
19	DIN 9021 - 8.4	02-0050		WASHER	2
18	ISO 7040 - M8			HEX NUT WITH TORQUE PART	4
17	BS 4320 - M8 (FORM A)	02-0011		BRIGHT METAL WASHER - METRIC SERIES	3
16	BS 4464 - M8 FORM B	02-0012		SPRING WASHER - METRIC SERIES	1
15	ISO 4017 - M8 X 16 ST/ST	01-0079		HEXAGON HEAD SCREW	1
14	BS 4320 - M6 (FORM A)	02-0004		BRIGHT METAL WASHER - METRIC SERIES	2
13	ISO 7045 - M6 X 16 - 4.8 - Z	01-0201		PAN HEAD SCREW - GRADE A	2
12	TCP-3067	14-0037		HOSE CLIP DIA 11.5MM	1
11	TCP-3068	14-0038		HOSE CLIP DIA 13.3MM	5
10	TCP-3024	10-3024		EXHAUST HEAT SHIELD ASSY	1
9	TCP-3066	14-3066		FUEL PICKUP	1
8	TCP-3063	61-3063		3/8 BSP TO 7MM HOSE BARB TO MALE	2
7	TCP-3064	61-3064		3/8-3/8 BSPT 90 ELBOW MALE FEMALE	1
6	TCP-3065	61-3065		3/8 BSP TO 5MM HOSE BARB TO MALE	1
5	TCP-2186	14-0035		7MM ID FUEL HOSE	2
4	TCP-2385	12-2891		HATZ INLINE FUEL FILTER	1
3	TCP-2852	71-0138		12V FACET FUEL PUMP	1
1	TCP-3528	14-3528		FUEL TANK WITH BREATHER	1

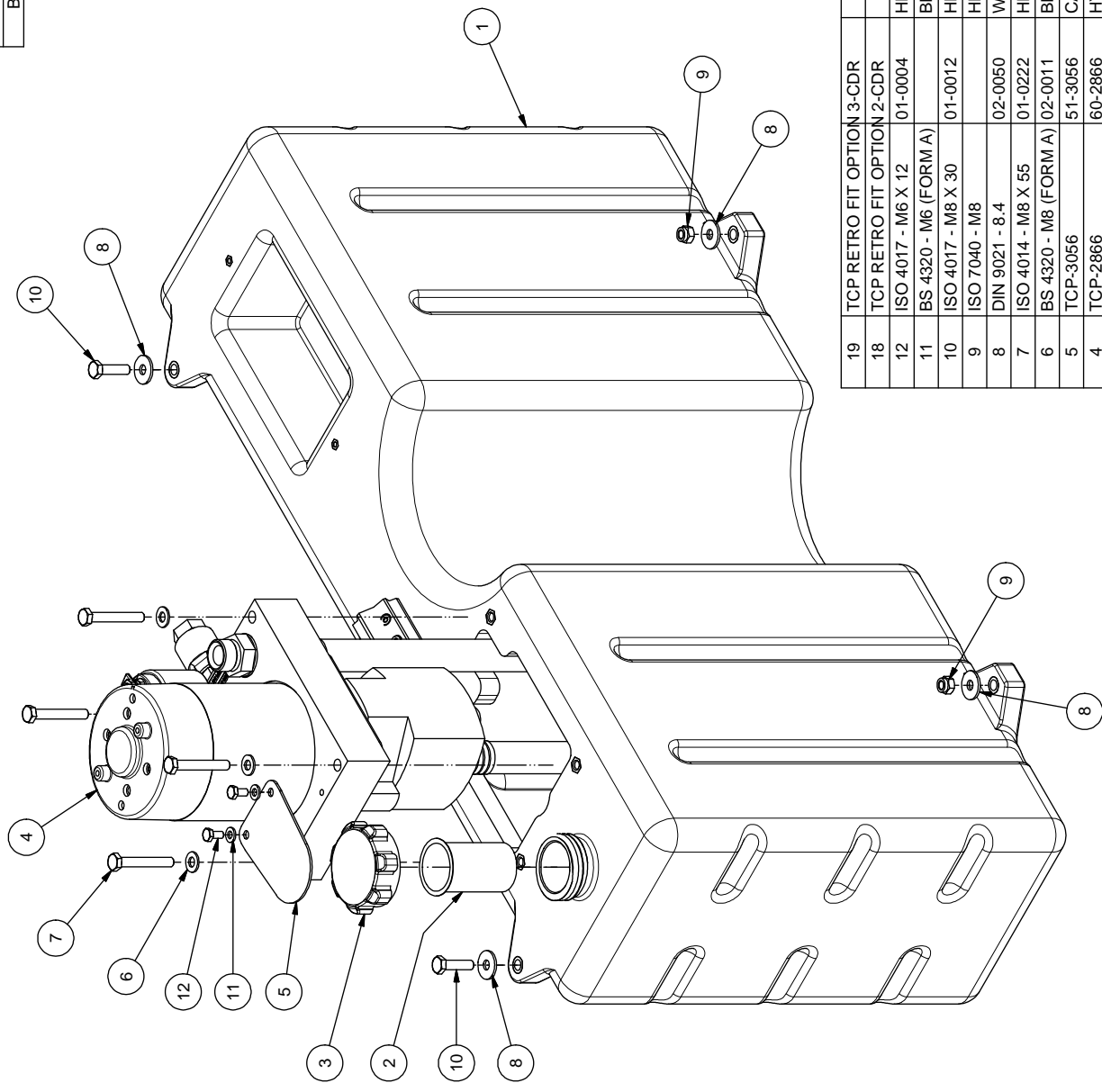
TAYLOR CONSTRUCTION PLANT LTD. QUAYSIDE PARK, BATES ROAD, WALTON, ESSEX, CM8 5FA, TEL +441621 850777 FAX +441621 843330 WWW.TCP.EU.COM		DRAWN: CDR DATE: 15/11/2010 CHECKED:	TITLE: FUEL TANK ASSY WITH BREATHER
SCALE: 1:4 & 1:10 DIMENSIONS IN MM TOL'S: GENERAL ± 0.5 ANGLES ± 1/2°	MATERIAL: CLEAN & DEBURR	DRG. NO.: TCP-3511 SA SHEET 1 OF 1 STOCK NO SA-3511	THIRD ANGLE A3

UNCONTROLLED DOCUMENT
CHECK FOR AMMENDMENTS BEFORE USE

ECOLITE-P V1

HYDRAULICS

ISS	DESCRIPTION	DATE
A	INITIAL ISSUE	07/07/2008
B	SEE DCA 00282	11/07/2008



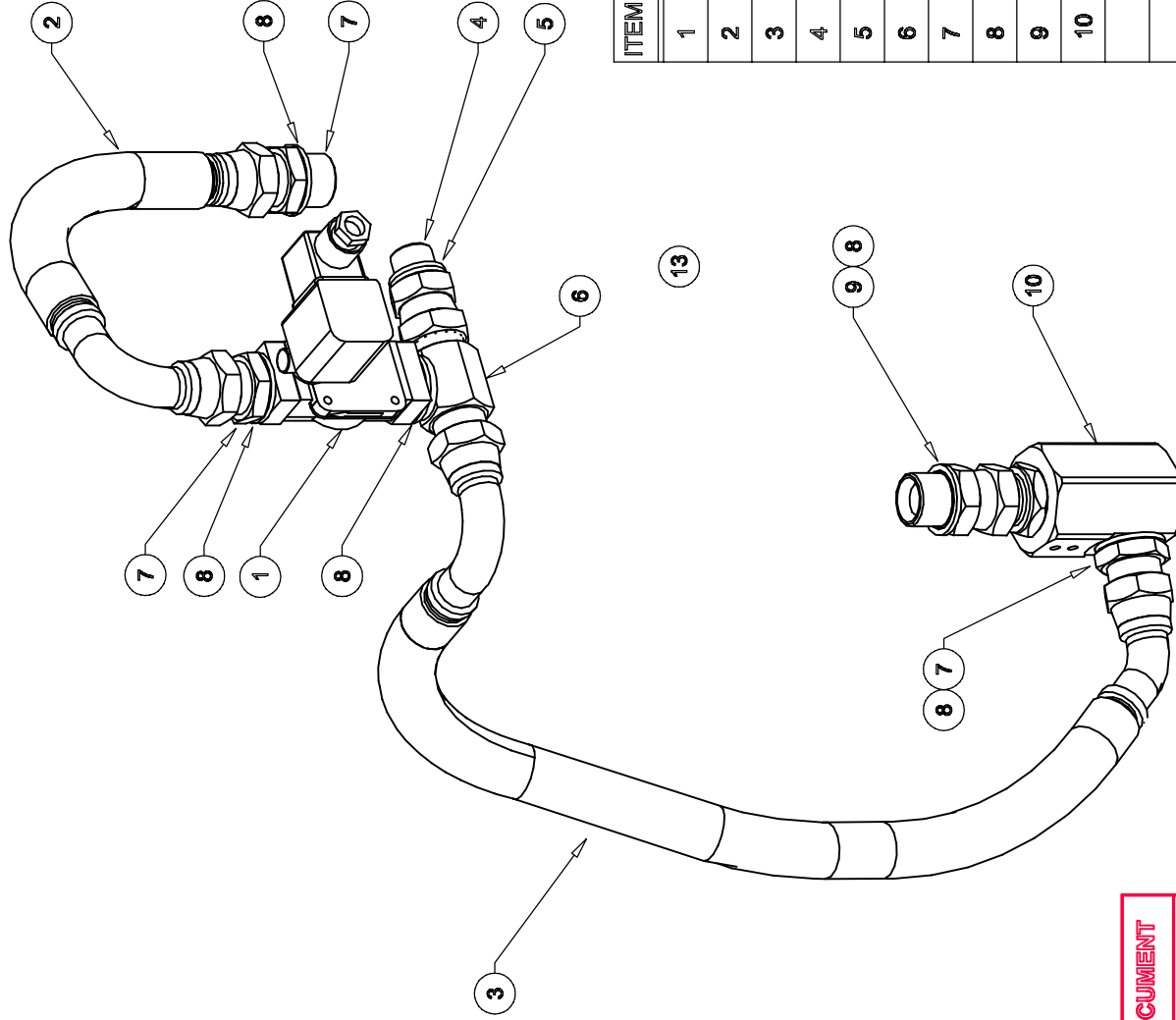
ITEM	DRG. NO.	STOCK NO.	DESCRIPTION	QTY
19	TCP RETRO FIT OPTION 3-CDR			1
18	TCP RETRO FIT OPTION 2-CDR			1
12	ISO 4017 - M6 X 12	01-0004	HEXAGON HEAD SCREW	2
11	BS 4320 - M6 (FORM A)		BRIGHT METAL WASHER - METRIC SERIES	2
10	ISO 4017 - M8 X 30	01-0012	HEXAGON HEAD SCREW	2
9	ISO 7040 - M8		HEX NUT WITH TORQUE PART	2
8	DIN 9021 - 8.4	02-0050	WASHER	4
7	ISO 4014 - M8 X 55	01-0222	HEXAGON HEAD BOLT - PRODUCT GRADES A AND B	4
6	BS 4320 - M8 (FORM A)	02-0011	BRIGHT METAL WASHER - METRIC SERIES	4
5	TCP-3056	51-3056	CAP COVER PLATE	1
4	TCP-2866	60-2866	HYDRAULIC PUMP	1
3	TCP-2960	61-2960	HYDRAULIC TANK CAP	1
2	TCP-2864	61-2864	HYDRAULIC TANK FILLER FILTER	1
1	TCP-2863	61-2863	HYDRAULIC TANK	1

UNCONTROLLED DOCUMENT
CHECK FOR AMMENDMENTS BEFORE USE

MATERIAL	SCALE 1:4
FINISH CLEAN & DEBURR	DIMENSIONS IN MM
	TOL'S:
	GENERAL ± 0.5
	ANGLES ± 1/2°

TAYLOR CONSTRUCTION PLANT LTD. QUAYSIDE PARK, BRISTOL, AVON, WALTON, ESSEX, CM9 5FA. TEL +441621 850777 FAX +441621 843330 WWW.TCP.EU.COM	DRAWN RC DATE 07/08/2008 CHECKED	TITLE HYDRAULIC TANK	STOCK NO. TCP-2862 SA	SHEET 1 OF 1	STOCK NO SA-2862
---	--	----------------------	-----------------------	--------------	------------------

THIRD ANGLE
A3



ITEM	DRG No.	PART No.	DESCRIPTION	QTY
1		60-0082	SOLENOID VALVE 12V MANUAL OVERRIDE	1
2	TCP-4136	62-4136	3/4 1W 195CL 90°S-FM	1
3	TCP-4137	62-4137	3/4 1W 555CL 90°S-45°S @ 315	1
4		62-2989	1/2 - 3/4 SWIVEL FEMALE-MALE	1
5		62-0011	1/2 BONDED SEAL	2
6		62-2979	3/4 MALE TEE	1
7		62-0013	3/4 MALE-MALE	3
8		62-0014	3/4 BONDED SEAL	5
9		62-0132	3/4 MALE FEMALE SWIVEL	1
10		62-0133	3/4 BSPP 90° ROTARY COUPLING	1

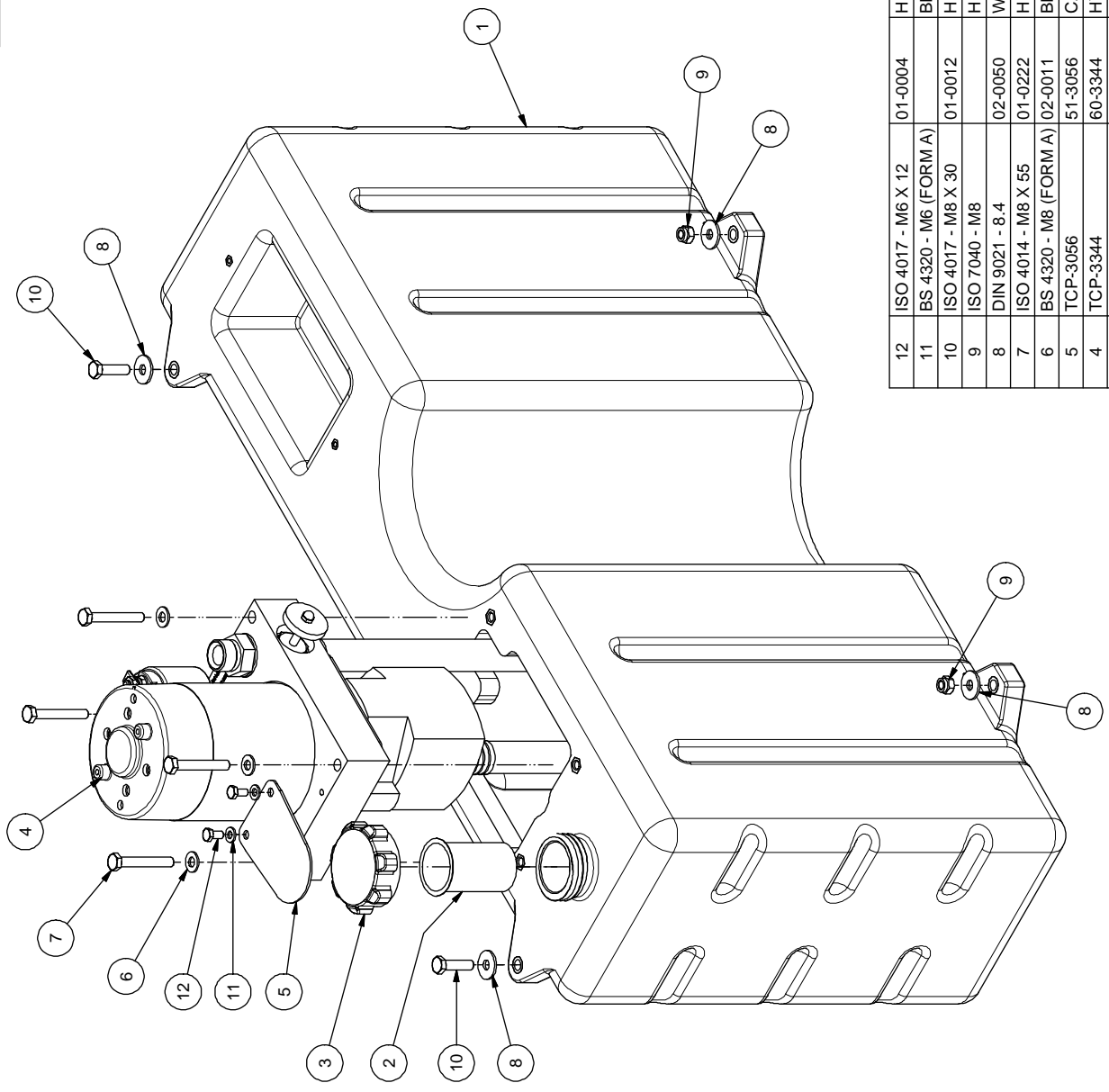
UNCONTROLLED DOCUMENT
CHECK FOR AMENDMENTS BEFORE USE

MATERIAL		DIMENSIONS IN mm		TAYLOR CONSTRUCTION PLANT LTD.		TITLE: HYDRAULIC ASSY		DRN GAN	
FINISH		SCALE 1:2.5		QUAYBIDE PARK, BATES ROAD, MALDON, ESSEX, CH10 8FA		ECOLITE - P		CHKD	
ISS		TOLERANCES: GENERAL ±0.25		TEL: +44(0)1627 753441 EXT 04380		DWG No. TCP-4119 SA		DATE 02.02.2009	
A INITIAL ISSUE		HOLE Ø H8		WWW.TCP.EU.COM		Sht. 1 of 1		APPD	
DESCRIPTION		ANGLES ±0.5°				SA-4119-01		DATE	

ECOLITE-P V2

HYDRAULICS

ISS	DESCRIPTION	DATE
A	INITIAL ISSUE	05/05/2010

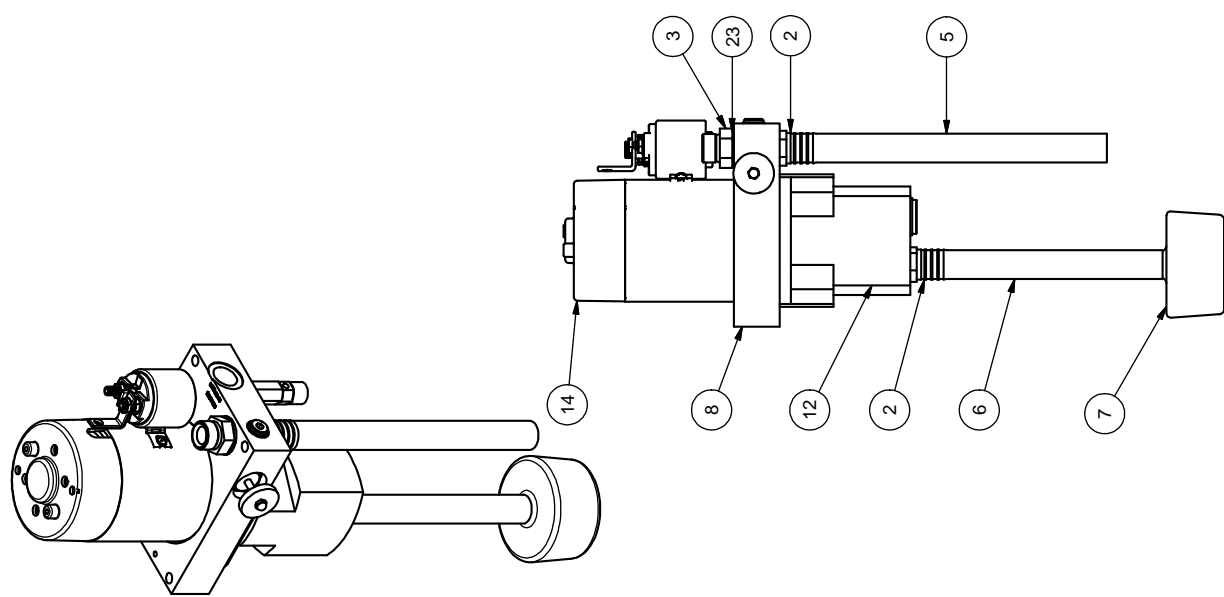
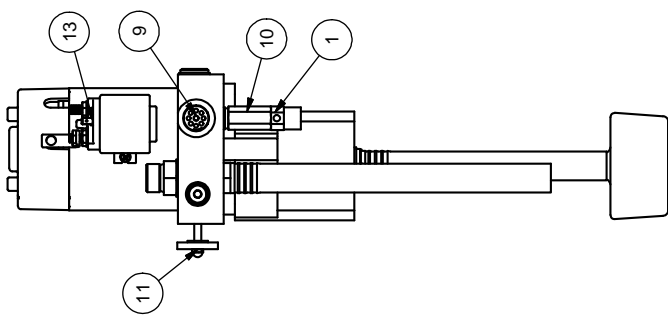
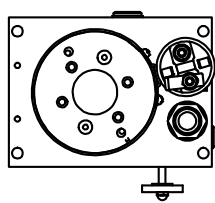
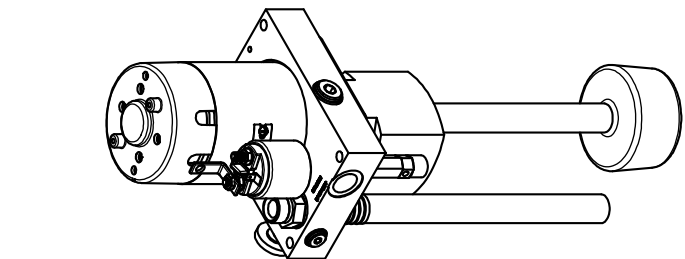


ITEM	DRG. NO.	STOCK NO.	DESCRIPTION	QTY
12	ISO 4017 - M6 X 12	01-0004	HEXAGON HEAD SCREW	2
11	BS 4320 - M6 (FORM A)		BRIGHT METAL WASHER - METRIC SERIES	2
10	ISO 4017 - M8 X 30	01-0012	HEXAGON HEAD SCREW	2
9	ISO 7040 - M8		HEX NUT WITH TORQUE PART	2
8	DIN 9021 - 8.4	02-0050	WASHER	4
7	ISO 4014 - M8 X 55	01-0222	HEXAGON HEAD BOLT - PRODUCT GRADES A AND B	4
6	BS 4320 - M8 (FORM A)	02-0011	BRIGHT METAL WASHER - METRIC SERIES	4
5	TCP-3056	51-3056	CAP COVER PLATE	1
4	TCP-3344	60-3344	HYDRAULIC PUMP WITH COMBINED MANIFOLD	1
3	TCP-2960	61-2960	HYDRAULIC TANK CAP	1
2	TCP-2864	61-2864	HYDRAULIC TANK FILLER FILTER	1
1	TCP-2863	61-2863	HYDRAULIC TANK	1

UNCONTROLLED DOCUMENT
CHECK FOR AMMENDMENTS BEFORE USE

MATERIAL	SCALE	1:4	TAYLOR CONSTRUCTION PLANT LTD. GUYARD PARK, BRATES FORD, MALDON, ESSEX, CM9 5FA, TEL +441821 850777 FAX +441621 843330 WWW.TCP.EU.COM
	DIMENSIONS IN MM	TOL'S: GENERAL ± 0.5 ANGLES ± 1/2°	
FINISH	CLEAN & DEBURR	DRAWN	RC
		DATE	07/08/2008
		CHECKED	
TITLE		HYDRAULIC TANK WITH COMBINED MANIFOLD	
DRG. NO.		TCP-3374 SA	
SHEET		1	STOCK NO
OF		1	SA-3374
THIRD ANGLE			
		A3	

ISS	DESCRIPTION	DATE
A	INITIAL ISSUE	29/09/2010

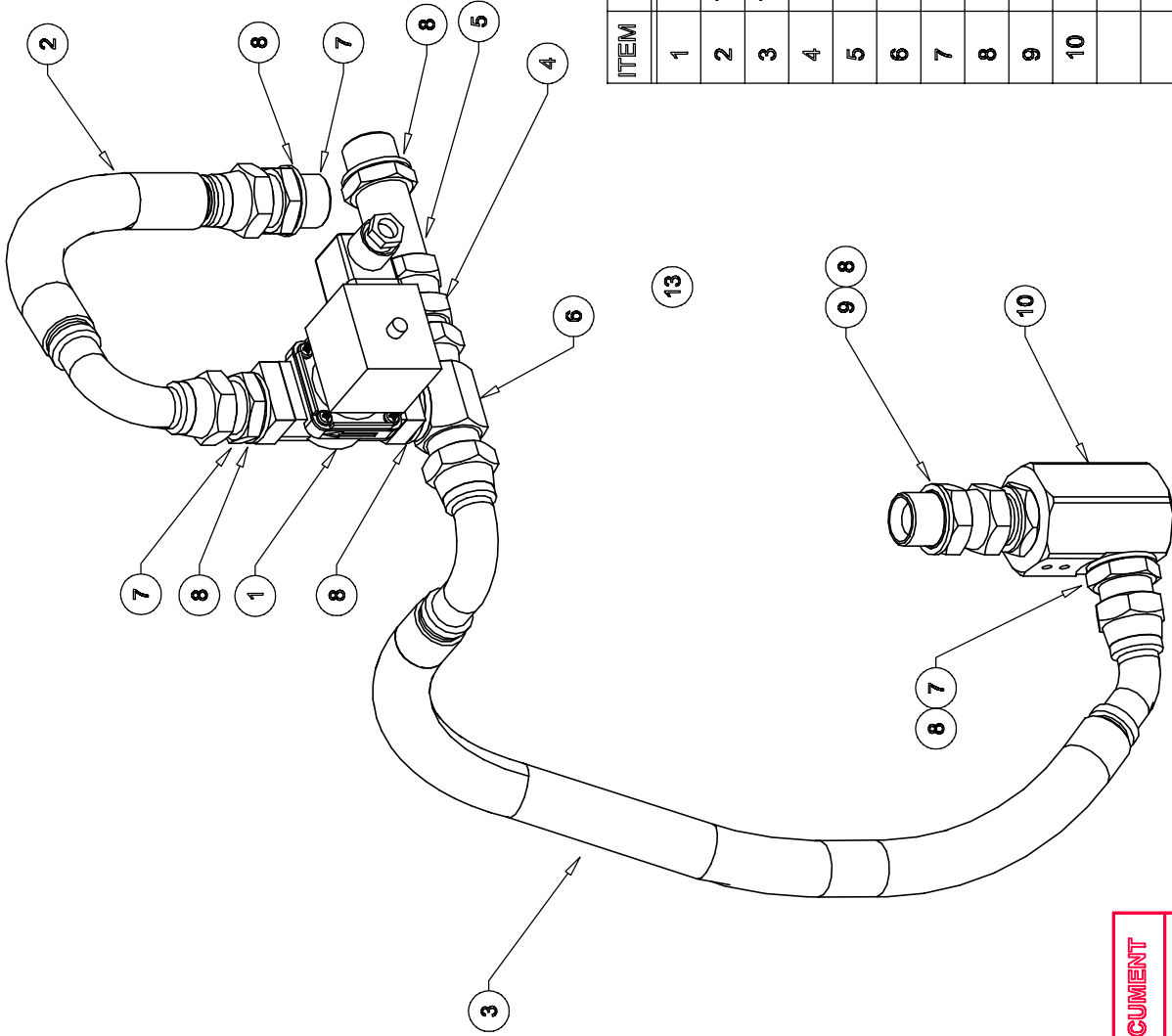


ITEM	DRG. NO.	STOCK NO.	DESCRIPTION	QTY
23	TCP-2250	62-0014	3/4 INCH BONDED WASHER	2
14	TCP-3461	60-3461	MOTOR, HYDRAULIC PUMP	1
13	TCP-3462	60-3462	SOLENIOD, HYDRAULIC PUMP	1
12	TCP-3455	60-3455	PUMP, HYDRAULIC	1
11	TCP-3460	60-3460	MANUAL OVERRIDE VALVE	1
10	TCP-3458	60-3458	SPACER, PRESSURE RELIEF VALVE	1
9	TCP-3459	60-3459	INTERNAL RELIEF VALVE	1
8	TCP-3456	60-3456	COMBINED MANIFOLD BLOCK	1
7	TCP-3451	60-3451	SUCTION FILTER	1
6	TCP-3452	60-3452	SUCTION HOSE	1
5	TCP-3454	60-3454	RETURN HOSE	1
3	TCP-2251	62-0013	3/4 INCH MALE ADAPTOR	1
2	TCP-3453	60-3453	1" PLASTIC HOSE TAIL	2
1	TCP-3457	60-3457	PRESSURE RELIEF VALVE 11 BAR	1

UNCONTROLLED DOCUMENT
CHECK FOR AMMENDMENTS BEFORE USE

MATERIAL	SCALE	TITLE	THIRD ANGLE
	CLEAN & DEBURR	HYDRAULIC PUMP WITH COMBINED MANIFOLD	
FINISH	DIMENSIONS IN MM	DRAWN	CR
	TOL'S:	DATE	
	GENERAL ± 0.5	29/09/2010	
	ANGLES ± 1/2°	CHECKED	
TAYLOR CONSTRUCTION PLANT LTD. QUAYSIDE PARK, BRISTOL, AVON, WALTON, ESSEX, CH85 5FA, TEL +441621 850777 FAX +441621 843330 WWW.TCP.EU.COM		DRG. NO.	STOCK NO.
		TCP-3344	60-3344
		SHEET 1	OF 1
		A3	

THIRD ANGLE PROJECTION



ITEM	DRG No.	PART No.	DESCRIPTION	QTY
1		60-2981	SOLENOID VALVE 12V	1
2	TCP-4136	62-4136	3/4 1W 195CL 90°S-FM	1
3	TCP-4137	62-4137	3/4 1W 555CL 90°S-45°S @ 315	1
4		62-0132	3/4 SWIVEL FEMALE-MALE	1
5		62-0185	3/4 BULKHEAD ADAPTER LONG	1
6		62-0208	3/4 TEE M/M FEMALE ON BRANCH	1
7		62-0013	3/4 MALE-MALE	3
8		62-0014	3/4 BONDED SEAL	6
9		62-0132	3/4 MALE FEMALE SWIVEL	1
10		62-0133	3/4 BSPP 90° ROTARY COUPLING	1

UNCONTROLLED DOCUMENT
CHECK FOR AMENDMENTS BEFORE USE

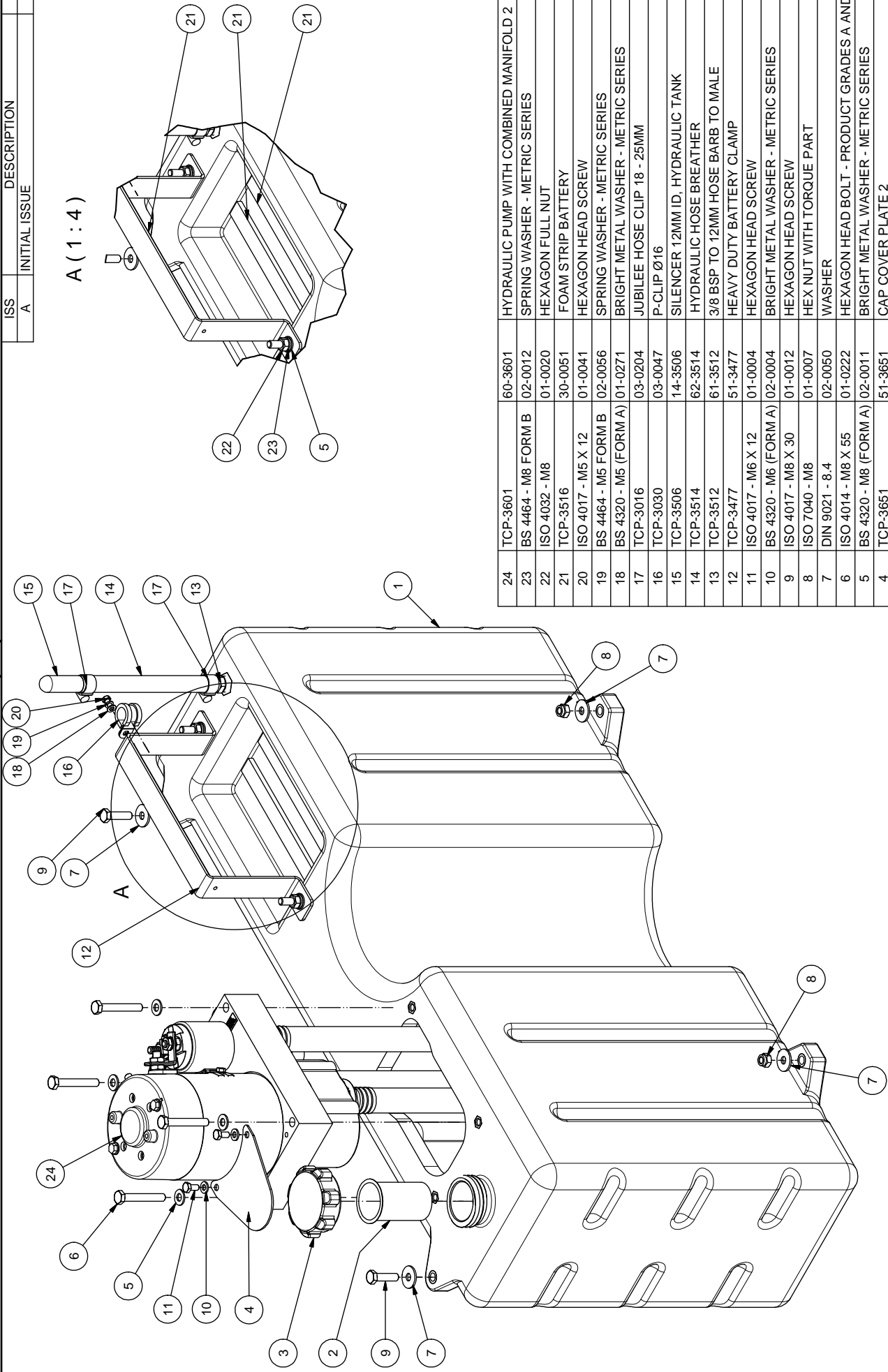
MATERIAL		DIMENSIONS IN mm		TAYLOR CONSTRUCTION PLANT LTD.		TITLE: HYDRAULIC ASSY, VERS.2		DRN GAN	
		SCALE 1:2.5		QUAYBIDE PARK, BATES ROAD,		ECOLITE - P		CHKD	
FINISH		TOLS: GENERAL		MALDON, ESSEX, CH8 8FA				APPD	
10/12		HOLE CTRS: POSNS		TEL: +44(0)1607775344(EXT 848880		DWG No. TCP-4229 SA		DATE	
09/10		HOLE Ø		WWW.TCP.EU.COM		Sht. 1 of 1		11.05.2010	
ISS		ANGLES				SA-4229-01			
A INITIAL ISSUE		±0.5°							
B SEE DCA 00725									
C									
D									
E									
F									
G									
H									

ECOLITE-P V3

HYDRAULICS

ISS	DESCRIPTION	DATE
A	INITIAL ISSUE	15/11/2010

A (1 : 4)

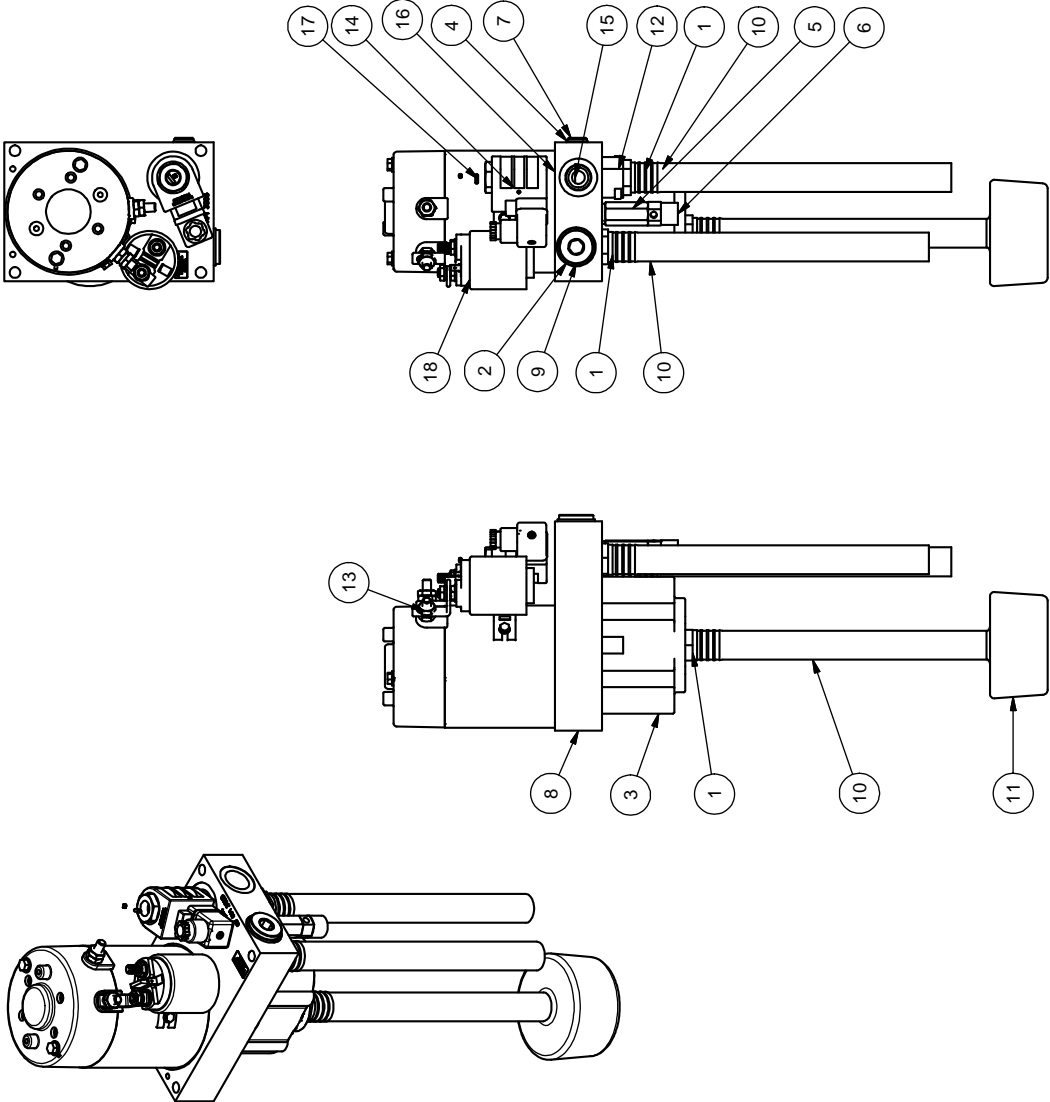


ITEM	DRG. NO.	STOCK NO.	DESCRIPTION	QTY
24	TCP-3601	60-3601	HYDRAULIC PUMP WITH COMBINED MANIFOLD 2	1
23	BS 4464 - M8 FORM B	02-0012	SPRING WASHER - METRIC SERIES	2
22	ISO 4032 - M8	01-0020	HEXAGON FULL NUT	2
21	TCP-3516	30-0051	FOAM STRIP BATTERY	3
20	ISO 4017 - M5 X 12	01-0041	HEXAGON HEAD SCREW	1
19	BS 4464 - M5 FORM B	02-0056	SPRING WASHER - METRIC SERIES	1
18	BS 4320 - M5 (FORM A)	01-0271	BRIGHT METAL WASHER - METRIC SERIES	1
17	TCP-3016	03-0204	JUBILEE HOSE CLIP 18 - 25MM	2
16	TCP-3030	03-0047	P-CLIP Ø16	1
15	TCP-3506	14-3506	SILENCER 12MM ID, HYDRAULIC TANK	1
14	TCP-3514	62-3514	HYDRAULIC HOSE BREATHER	1
13	TCP-3512	61-3512	3/8 BSP TO 12MM HOSE BARB TO MALE	1
12	TCP-3477	51-3477	HEAVY DUTY BATTERY CLAMP	1
11	ISO 4017 - M6 X 12	01-0004	HEXAGON HEAD SCREW	2
10	BS 4320 - M6 (FORM A)	02-0004	BRIGHT METAL WASHER - METRIC SERIES	2
9	ISO 4017 - M8 X 30	01-0012	HEXAGON HEAD SCREW	2
8	ISO 7040 - M8	01-0007	HEX NUT WITH TORQUE PART	2
7	DIN 9021 - 8.4	02-0050	WASHER	4
6	ISO 4014 - M8 X 55	01-0222	HEXAGON HEAD BOLT - PRODUCT GRADES A AND B	4
5	BS 4320 - M8 (FORM A)	02-0011	BRIGHT METAL WASHER - METRIC SERIES	6
4	TCP-3651	51-3651	CAP COVER PLATE 2	1
3	TCP-3517	14-0014	FILLER CAP	1
2	TCP-2864	61-2864	HYDRAULIC TANK FILLER FILTER	1
1	TCP-3527	61-3527	HYDRAULIC TANK WITH BREATHER	1

UNCONTROLLED DOCUMENT
CHECK FOR AMMENDMENTS BEFORE USE

MATERIAL		SCALE	1:4
FINISH		CLEAN & DEBURR	DIMENSIONS IN MM
TAYLOR CONSTRUCTION PLANT LTD.		DRWN	CDR
QUAYSIDE PARK, BRISTOL, AVON, ENGLAND, ESSEX, CM8 5FA.		DATE	15/11/2010
TEL +441621 850777 FAX +441621 843330		CHECKED	
WWW.TCP.EU.COM		TCP-3510 SA	
TITLE		HYDRAULIC TANK WITH BREATHER	
DRG. NO.		TCP-3510 SA	
SHEET 1 OF 1		STOCK NO SA-3510	
THIRD ANGLE		A3	

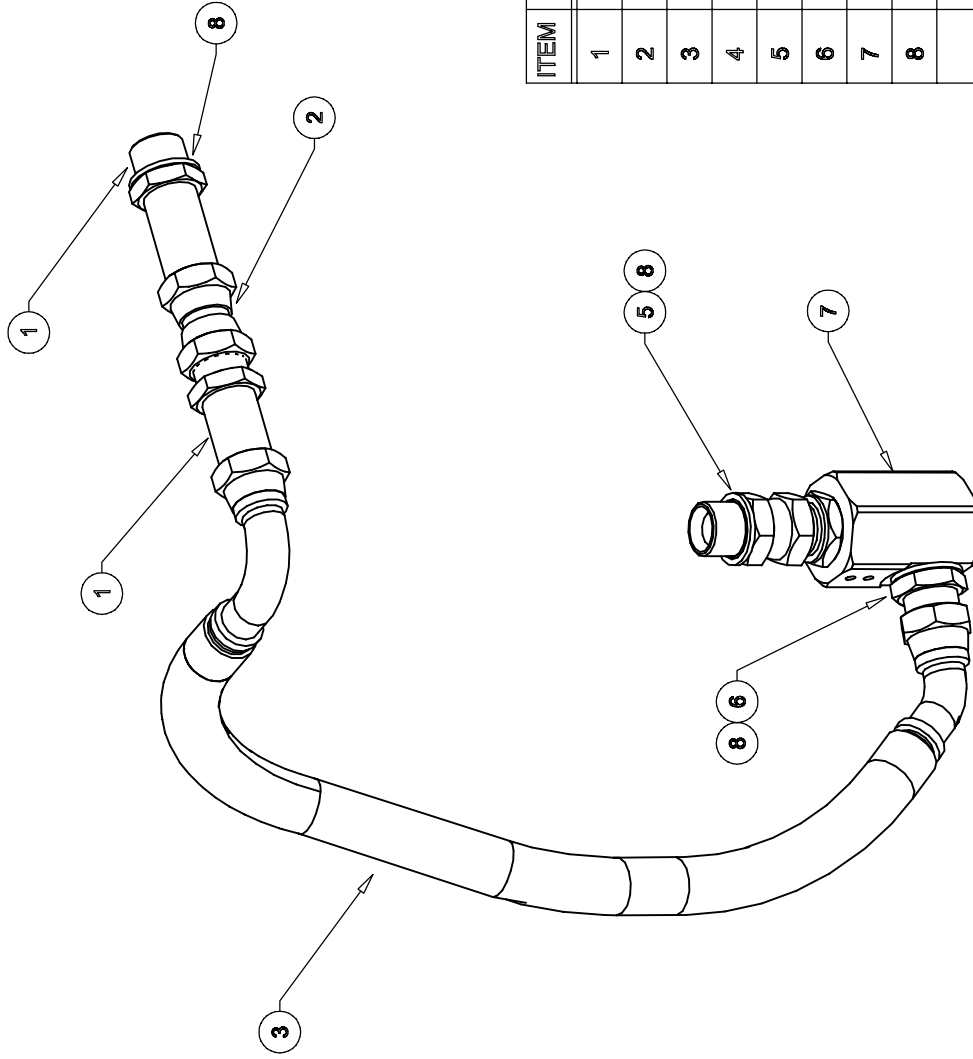
ISS	DESCRIPTION	DATE
A	INITIAL ISSUE	16/06/2011



ITEM	DRG. NO.	STOCK NO.	DESCRIPTION	QTY
18	TCP-3462	60-3462	SOLENIOD, HYDRAULIC PUMP	1
17	TCP-3740	60-3740	2 WAY VALVE WITH OVERRIDE	1
16	TCP-3939	60-3939	O-RING 26.7X1.78	1
15	TCP-3734	60-3734	CHECK VALVE CARTRIDGE	1
14	TCP-3741	60-3741	SOLENIOD, 2 WAY VALVE	1
13	TCP-3461	60-3461	MOTOR, HYDRAULIC PUMP	1
12	TCP-3738	60-3738	MANIFOLD EXTENSION	1
11	TCP-3451	60-3451	SUCTION FILTER	1
10	TCP-3735	60-3735	SUPPLY & RETURN HOSE	3
9	TCP-3736	62-3736	ALLEN HEADED PLUG 3/4" BSP	1
8	TCP-3732	60-3732	COMBINED MANIFOLD	1
7	TCP-3737	62-3737	ALLEN PLUG 1/4" BSP	1
6	TCP-3457	60-3457	PRESSURE RELIEF VALVE 11 BAR	1
5	TCP-3458	60-3458	SPACER, PRESSURE RELIEF VALVE	1
4	TCP-	62-0002	1/4" BONDED WASHER	2
3	TCP-3733	60-3733	PUMP CBW1	1
2	TCP-2389	62-0014	3/4" BONDED WASHER	1
1	TCP-3453	60-3453	1" PLASTIC HOSE TAIL	3

TAYLOR CONSTRUCTION PLANT LTD.		DRAWN		CR		TITLE	
QUAYSIDE PARK, BATES ROAD, WALDON, ESSEX, CM8 5FA, TEL +441621 850777 FAX +441621 843330 WWW.TCP.EU.COM		DATE		16/06/2011		HYDRAULIC PUMP WITH COMBINED MANIFOLD 2	
SCALE		CHECKED		DRG. NO.		TCP-3601	
DIMENSIONS IN MM		FINISH		SHEET 1		STOCK NO	
GENERAL ± 0.5		CLEAN & DEBURR		OF 1		60-3601	
ANGLES ± 1/2°							

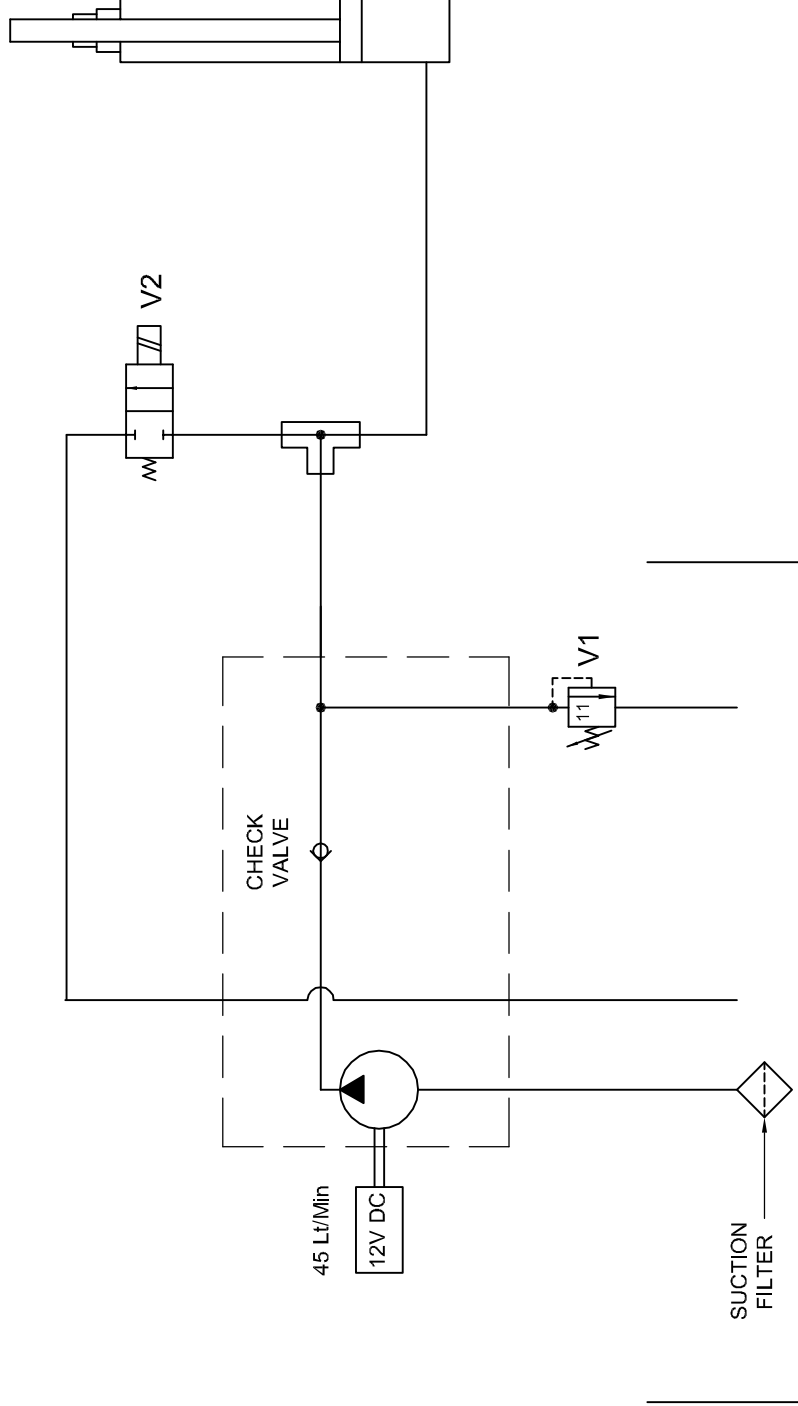
UNCONTROLLED DOCUMENT
CHECK FOR AMMENDMENTS BEFORE USE



ITEM	DRG No.	PART No.	DESCRIPTION	QTY
1		62-0185	3/4 BULKHEAD ADAPTER LONG	1
2			3/4 SWIVEL FEMALE-MALE	1
3	TCP-4137	62-4137	3/4 1W 555CL 90°S-45°S @ 315	1
4		62-0132	3/4 SWIVEL FEMALE-MALE	1
5		62-0132	3/4 MALE FEMALE SWIVEL	1
6		62-0013	3/4 MALE-MALE	1
7		62-0133	3/4 BSPP 90° ROTARY COUPLING	1
8		62-0014	3/4 BONDED SEAL	6

UNCONTROLLED DOCUMENT
CHECK FOR AMENDMENTS BEFORE USE

TAYLOR CONSTRUCTION PLANT LTD. QUAYSIDE PARK, BATES ROAD, MALDON, ESSEX, CH10 8FA TEL: +44 (0)1627 750441 EXT 046880 WWW.TCP.EU.COM		TITLE: HYDRAULIC ASSY, VERS.3 ECOLITE - P		DRN	GAN
DIMENSIONS IN SCALE 1:2.5 TOL'S: GENERAL ±0.25 HOLE CTRS: POSNS ±0.2 HOLE Ø H8 ANGLES ±0.5°		MATERIAL		CHKD	
FINISH		DATE		APPD	
A	INITIAL ISSUE	08/11	DATE		
ISS	DESCRIPTION	CHKD	DATE		
		DWG No. TCP-4253 SA		Shk. 1 of 1	SA-4253-01
		STK No.		DATE	15.06.2011

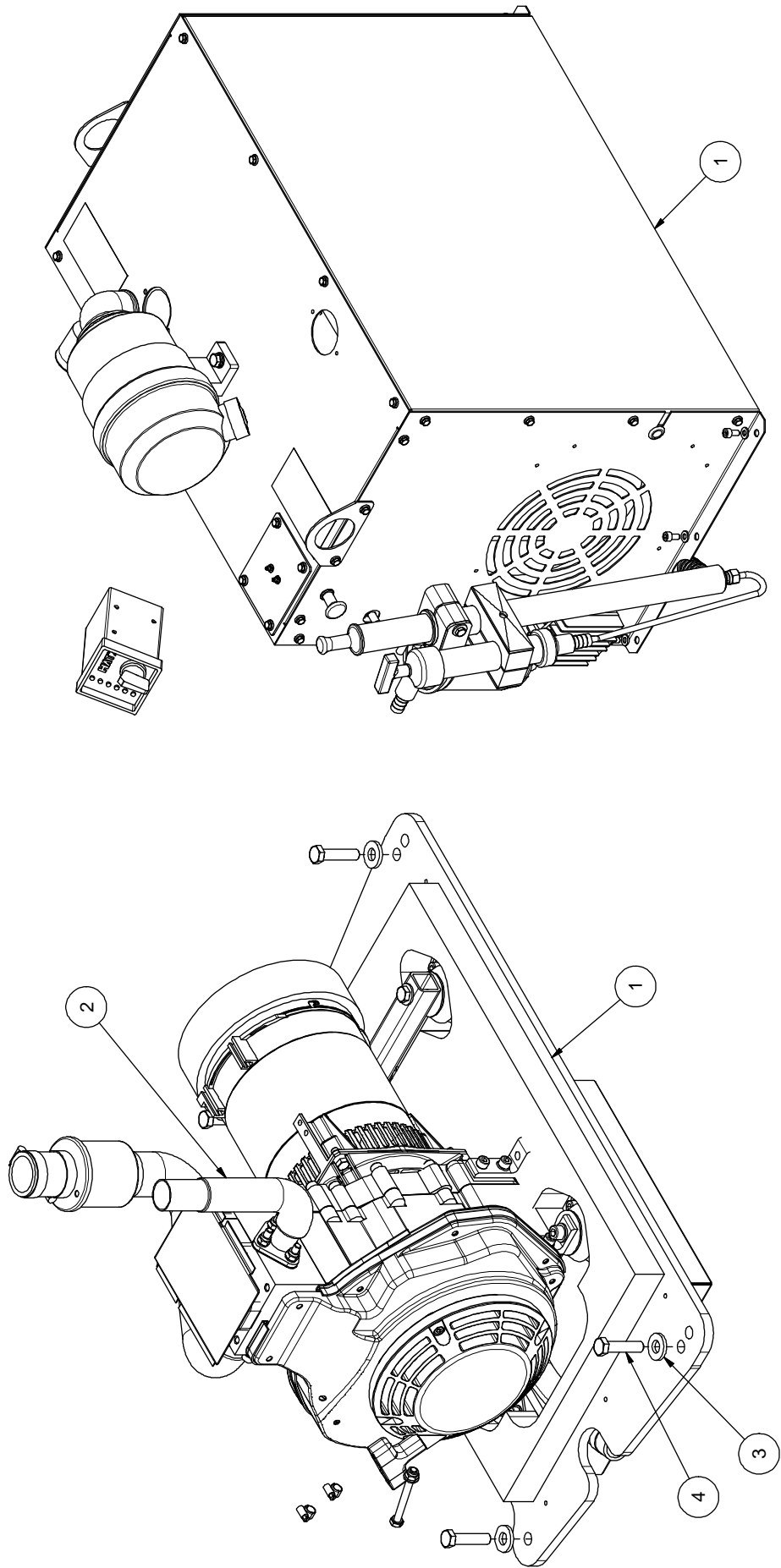


UNCONTROLLED DOCUMENT
CHECK FOR AMENDMENTS BEFORE USE

	MATERIAL:	DIMENSIONS IN SCALE:	mm 1:1	TAYLOR CONSTRUCTION PLANT LTD.	DRN GAN
	FINISH	TOOLS GENERAL	±0.25	QUAYSIDE PARK, BATES ROAD,	CHKD
		HOLE CTRS/POSNS	±0.2	MALDON, ESSEX, CH19 5FA	APPD
A	INITIAL ISSUE	HOLE Ø	H9	TEL: +44 (0)1627 850777 FAX: +44 (0)1621 943330	DATE
ISS	DESCRIPTION	ANGLES	±0.5°	WWW.TCP.EU.COM	10.02.2009
				DWG No. TCP-4139	Sht. 1 of 1
				TITLE: SCHEMATIC, HYDRAULICS	STK No.
				ECOLITE - P	

ECOLITE-P V1
MECC-ALTE ALTERNATOR

ISS	DESCRIPTION	DATE
A	INITIAL ISSUE	14/11/2008

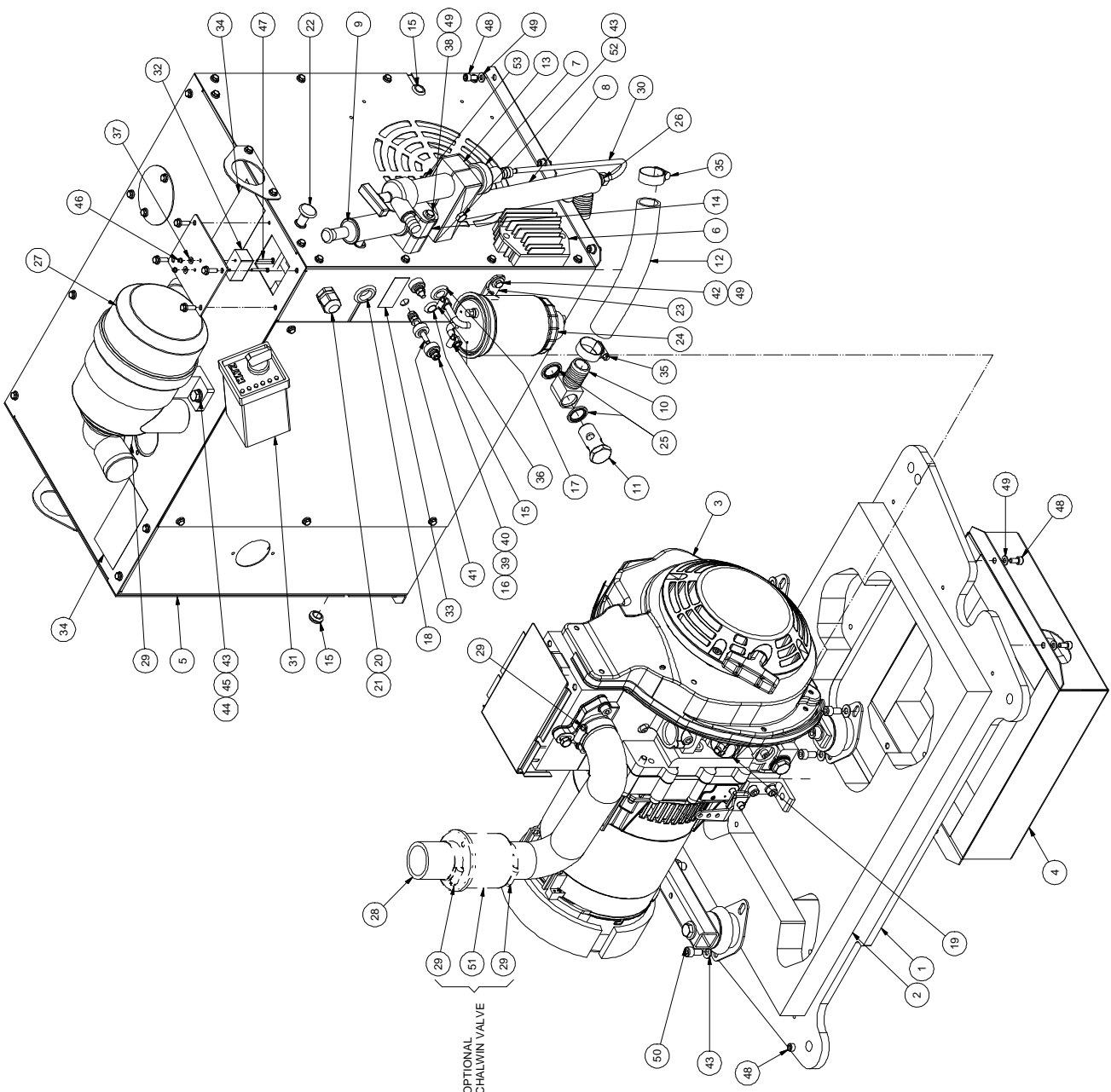


ITEM	DRG. NO.	STOCK NO.	DESCRIPTION	QTY
4	ISO 4017 - M12 X 50	01-0098	HEXAGON HEAD SCREW	4
3	TCP-2030	02-0044	WASHER M12X30X4	4
2	TCP-4061-02	10-4061-02	EXHAUST OUTLET 1B20 ENGINE	1
1	TCP-2875	SA-2875	ECOLITE ENGINE & SOUND BOX ASSY - HATZ 1B20	1

SCALE 1:5		DRAWN RC		TITLE ECOLITE 2 POWER UNIT - HATZ 1B20	
DIMENSIONS IN MM		DATE 14/11/2008		THIRD ANGLE	
TOL'S:		CHECKED		SHEET 1 OF 1	
GENERAL ± 0.5		TCP-3029-02		STOCK NO SA-3029-02	
ANGLES ± 1/2°		TAYLOR CONSTRUCTION PLANT LTD.		FINISH CLEAN & DEBURR	

UNCONTROLLED DOCUMENT
CHECK FOR AMMENDMENTS BEFORE USE

ISS	DESCRIPTION	DATE
A	INITIAL ISSUE	13/11/2008
B	SEE DCA 00369	12/12/2008
C	SEE DCA 00408	19/06/2009
D	SEE DCA 00412	06/07/2009



ITEM	SCALE	NTS	DRG. NO.	STOCK NO.	KIT	DESCRIPTION	QTY
53	ISO 7040 - M8	01-0017				HEX NUT WITH TORQUE PART	1
52	ISO 4014 - M8 X 80	01-3208				HEXAGON HEAD BOLT - PRODUCT GRADES A AND B	1
51	TCP-2809	10-0066				CHALWIN VALVE	1
50	ISO 4762 - M8 X 16	01-0033				HEXAGON SOCKET HEAD CAP SCREW	8
49	BS 4320 - M6 (FORM A)	"VARIES"				BRIGHT METAL WASHER - METRIC SERIES	15
48	ISO 4762 - M6 X 12	01-0085				HEXAGON SOCKET HEAD CAP SCREW	11
47	ISO 7045 - M3 X 25 - 4.8 - Z	01-0168				PAN HEAD SCREW - GRADE A	2
46	ISO 7040 - M3	01-0032				HEX NUT WITH TORQUE PART	2
45	BS 4464 - M8 FORM B	02-0012				SPRING WASHER - METRIC SERIES	2
44	ISO 4017 - M8 X 30	01-0012				HEXAGON HEAD SCREW	2
43	BS 4320 - M8 (FORM A)	"VARIES"				BRIGHT METAL WASHER - METRIC SERIES	11
42	ISO 4017 - M6 X 20	01-0002				HEXAGON HEAD SCREW	2
41	ISO 4017 - M6 X 50 ST/ST	01-0148				HEXAGON HEAD SCREW	2
40	ISO 4032 - M6 ST/ST	01-0149				HEXAGON FULL NUT	4
39	BS 4320 - M6 (FORM A) ST/SD2-0037	01-0177				BRIGHT METAL WASHER - METRIC SERIES	10
38	ISO 4014 - M6 X 75	01-0177				HEXAGON HEAD BOLT - PRODUCT GRADES A AND B	2
37	BS 4320 - M4 (FORM A)	02-0028				BRIGHT METAL WASHER - METRIC SERIES	2
36	TCP-3202	03-0064				JUBILEE HOSE CLIP 08 - 12MM	2
35	TCP-2796	10-0082				JUBILEE HOSE CLIP 30 - 40MM	2
34	TCP-1093	80-0043				DECAL DANGER FALLING HAZARD	2
33	TCP-2989	80-2989				DECAL 12V DC	1
32	TCP-2976	71-0284				4 WAY TERMINAL BLOCK	1
31	TCP-2820	12-2891				HATZ ENGINE CONTROLLER	1
30	TCP-2898	62-0149				OIL DRAIN PIPE	1
29	TCP-2992	10-0080				JUBILEE HOSE CLIP 35 - 50MM	4
28	TCP-2895	10-2895				AIR INTAKE TUBE	1
27	TCP-2897	10-2897				AIR FILTER	1
26	TCP-2125	62-0148				1/4 BSP TO 1/4 INCH COMPRESSION	1
25	TCP-2110	62-0147				22MM BONDED WASHER	2
24	TCP-2984	14-0128				HATZ FUEL FILTER	1
23	TCP-2985	14-2985				BRACKET - HATZ FUEL FILTER	1
22	TCP-2808	42-0015				PULL STOP	1
21	TCP-2109	71-0036				M20 CABLE GLAND NUT	1
20	TCP-2332	12-0066				M20 INDEX CABLE GLAND	1
19	TCP-2397	03-0056				ASSY BUNG FOR ENGINE BREATHER HATZ	1
18	TCP-2150	03-0046				25.4MM GROMMET	1
17	TCP-1620	12-0027				12.7MM GROMMET	1
16	TCP-2107	03-0045				INSULATOR JUMP START	4
15	TCP-2039	03-0045				11.1MM GROMMET	3
14	TCP-2023	61-0012				32 DIA SERIES A LIGHT DUTY CLAMP	1
13	TCP-2052	12-0046				32 DIA SERIES B CLAMP	1
12	TCP-1854	12-0044				25MM SILVERFLEX HOSE	1
11	TCP-1853	12-2986				M22 BANJO BOLT	1
10	TCP-1930	61-0013				DIP STICK	1
9	TCP-2807	60-0067				DIPSTICK TUBE ASSY	1
8	TCP-2983	12-2891				LITTLE PAL HAND PUMP	1
7	TCP-2807	60-0067				REGULATOR DUCATI HATZ 12V	1
6	TCP-2983	SA-2880				SUMP SOUND BOX	1
5	TCP-2880 SA	SA-2982				SUMP SOUND BOX	1
4	TCP-2877	SA-2877				HATZ 1B20 ENGINE ASSY	1
3	TCP-2925	30-2930				INSULATION - ENGINE MOUNTING PLATE - HATZ 1B20	1
2	TCP-2925	51-2908				ENGINE MOUNTING PLATE 12MM - HATZ 1B20	1
1	TCP-3092	12-3092				ENGINE MOUNTING PLATE 12MM - HATZ 1B20	1

UNCONTROLLED DOCUMENT
CHECK FOR AMMENDMENTS BEFORE USE

DRAWING IS THE PROPERTY OF TAYLOR CONSTRUCTION PLANT LTD AND MUST NOT BE REPRODUCED OR DISCLOSED EXCEPT AS AUTHORIZED BY TAYLOR CONSTRUCTION PLANT LTD.
 TAYLOR CONSTRUCTION PLANT LTD.
 100 WILSON STREET, CHORLEY, LANCASHIRE, ENGLAND, PR67 7JG.
 TEL: +44 (0)1253 612330 WWW.TCP.CO.UK

TITLE: ECOLITE ENGINE & SOUND BOX ASSY - HATZ 1B20 MECC-ALTE
 DRG. NO: TCP-2875
 SHEET 1 OF 1
 STOCK NO: SA-2875

DRAWN: RC
 DATE: 13/11/2008
 CHECKED:

SCALE: DIMENSIONS IN MM
 GENERAL: 1:05
 PROFILES: 1:02

FINISH: CLEAN & DEBURR

MATERIAL:

DIMENSIONS IN MM
 GENERAL: 1:05
 PROFILES: 1:02

FINISH: CLEAN & DEBURR

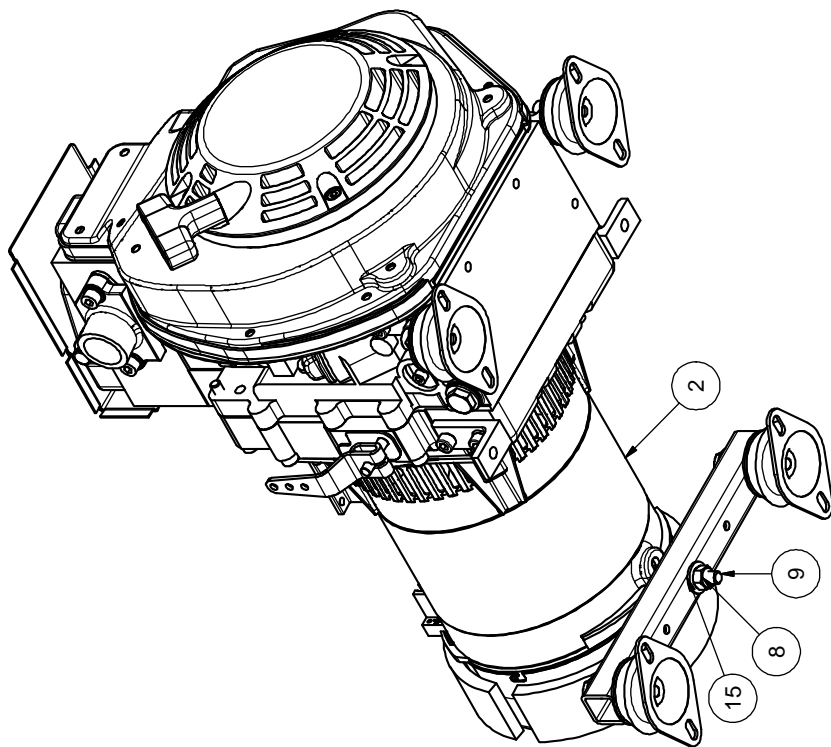
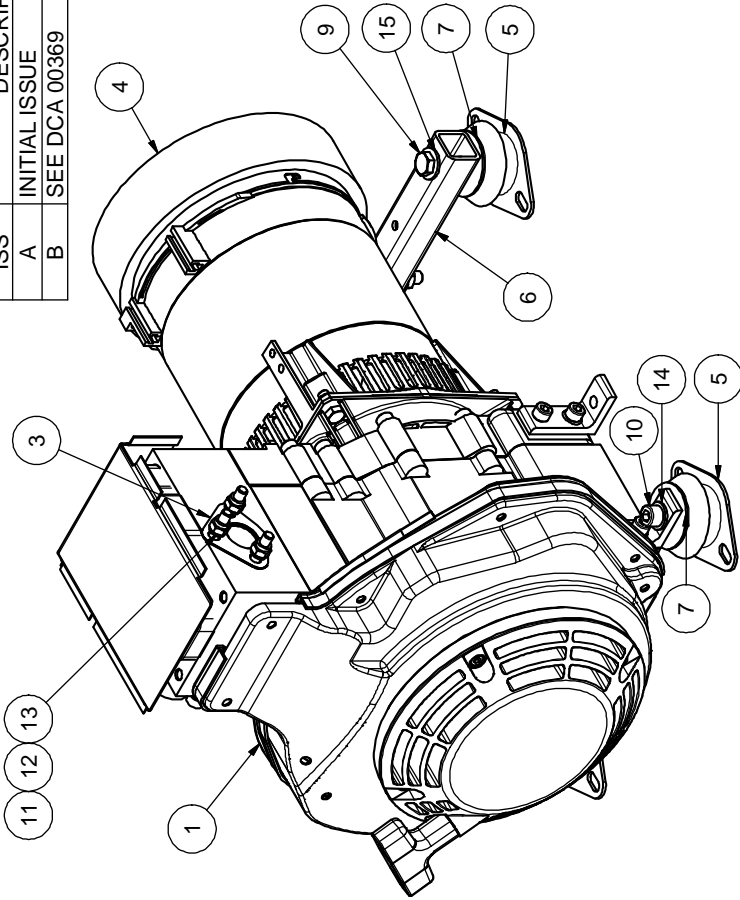
MATERIAL:

DIMENSIONS IN MM
 GENERAL: 1:05
 PROFILES: 1:02

FINISH: CLEAN & DEBURR

MATERIAL:

ISS	DESCRIPTION	DATE
A	INITIAL ISSUE	17/07/2008
B	SEE DCA 00369	12/12/2008



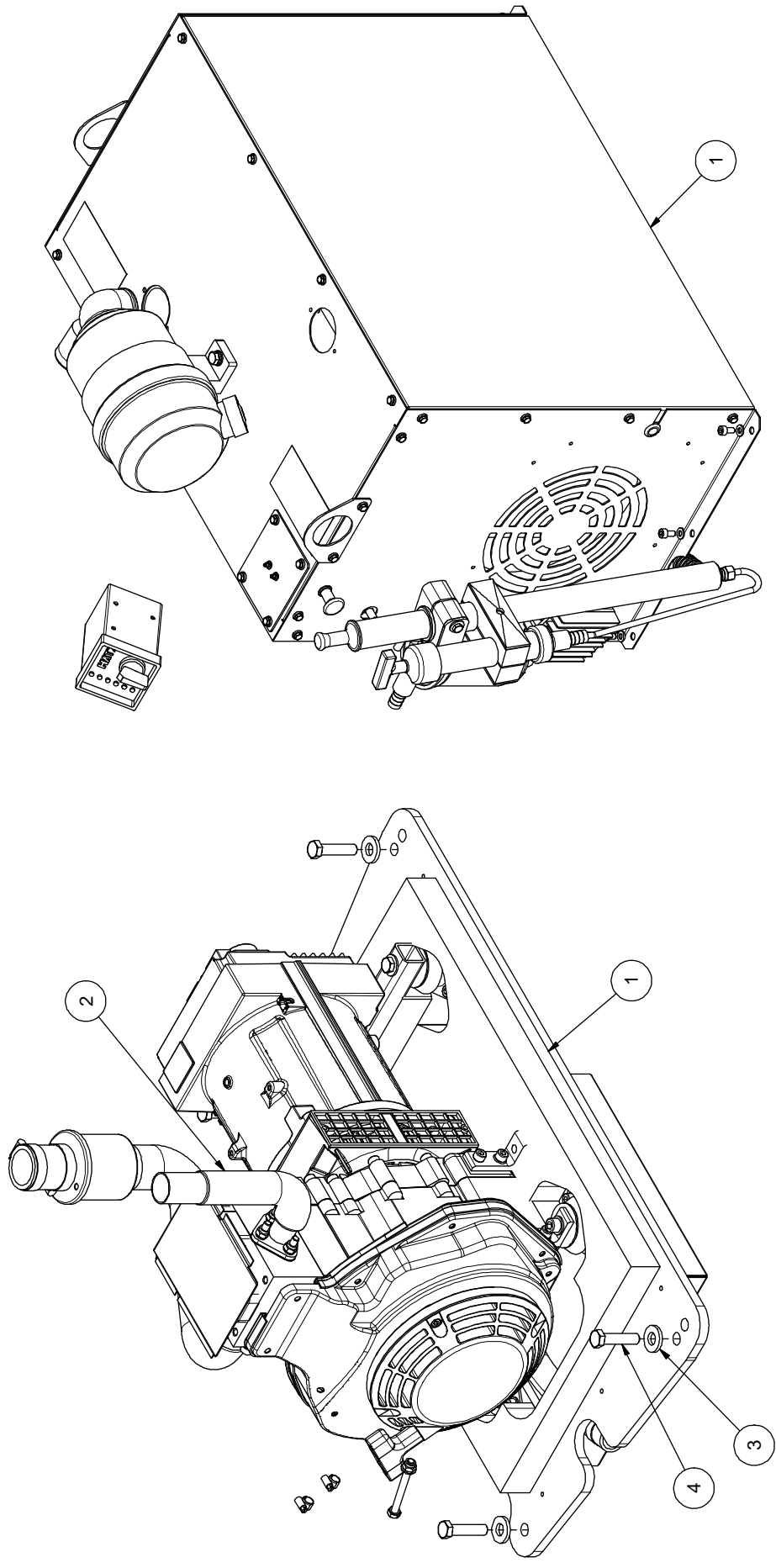
ITEM	DRG. NO.	STOCK NO.	KIT	DESCRIPTION	QTY
15	BS 4320 - M10 (FORM C)	01-0248		BRIGHT METAL WASHER - METRIC SERIES	3
14	BS 4320 - M10 (FORM A)			BRIGHT METAL WASHER - METRIC SERIES	2
13	BS 4320 - M6 (FORM A)	02-0004		BRIGHT METAL WASHER - METRIC SERIES	3
12	ISO 7040 - M8	01-0017		HEX NUT WITH TORQUE PART	3
11	DIN 835 - M8 X 30	-	12-2891	DOUBLE END STUD	3
10	ISO 4762 - M10 X 30	01-0180		HEXAGON SOCKET HEAD CAP SCREW	2
9	ISO 4017 - M10 X 55	01-0197		HEXAGON HEAD SCREW	3
8	ISO 4032 - M10	01-0055		HEXAGON FULL NUT	1
7	10.5X50X1.5	03-0219		WASHER	4
6	TCP-3093	12-3093		ALTERNATOR MOUNT CROSS BAR - HATZ 1B20	1
5	TCP-3094	12-3094		AV MOUNT - M10 - 40 SHORE SOLID	4
4	TCP-3062	30-3062		ALTERNATOR FOAM STRIP	1
3	TCP-2879	12-2891		EXHAUST GASKET - 1B20	3
2	TCP-2890 SA	71-2890		ALTERNATOR - MECCALTE - TCP SPEC	1
1	TCP-2891 SA	12-2891		ENGINE - 1B20 - TCP SPEC	1

MATERIAL		SCALE	1:4	DRAWN		CR	TITLE		HATZ 1B20 ENGINE ASSY MECC-ALTE		THIRD ANGLE
FINISH		DIMENSIONS IN MM		DATE		CHECKED		DRG. NO.		SHEET 1 OF 1	
CLEAN & DEBURR		GENERAL ± 0.5		17/07/2008		TCP-2877		TCP-2877		SA-2877	
ANGLES ± 1/2°		TOLERANCES IN MM		TAYLOR CONSTRUCTION PLANT LTD.		WWW.TCP-EU.COM		STOCK NO		SA-2877	
TOL'S:		MAX. FRACTIONAL DECIMALS		MALDON, ESSEX, CH9 5FA, UK		TEL +441621 850777 FAX +441621 843330		SHEET 1 OF 1		SA-2877	

UNCONTROLLED DOCUMENT
CHECK FOR AMMENDMENTS BEFORE USE

ECOLITE-P V2
SINCRO ALTERNATOR

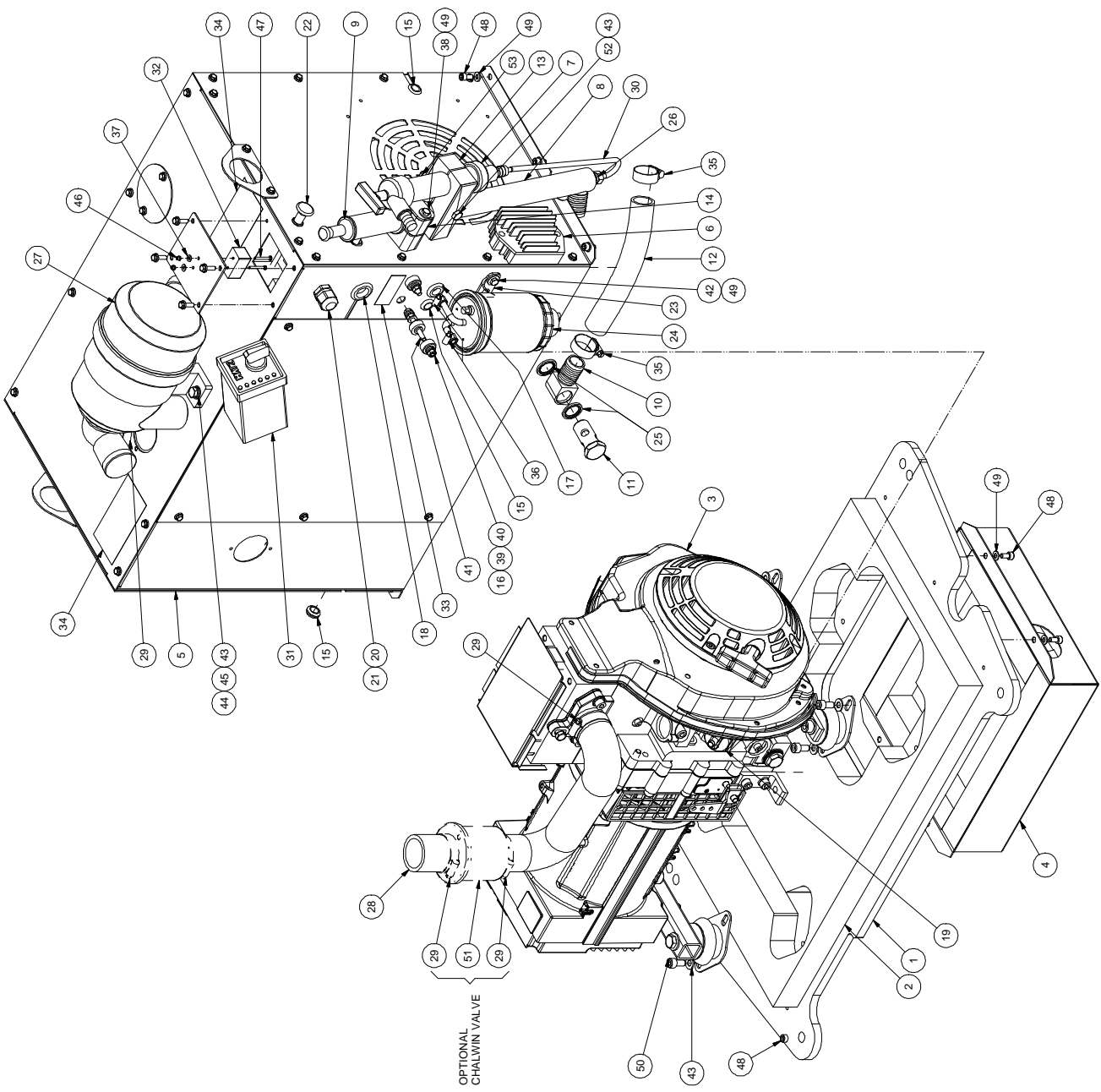
ISS	DESCRIPTION	DATE
A	INITIAL ISSUE	09/06/2010



ITEM	DRG. NO.	STOCK NO.	DESCRIPTION	QTY
4	ISO 4017 - M12 X 50	01-0098	HEXAGON HEAD SCREW	4
3	TCP-2030	02-0044	WASHER M12X30X4	4
2	TCP-4061-02	10-4061-02	EXHAUST OUTLET 1B20 ENGINE	1
1	TCP-2875-02	SA-2875-02	ECOLITE ENGINE & SOUND BOX ASSY - HATZ 1B20 - SINCRO	1

MATERIAL	SCALE	1:5	DRAWN	CDR	TITLE	ECOLITE P POWER UNIT - HATZ 1B20 - SINCRO			
	DIMENSIONS IN MM	GENERAL ± 0.5		DATE		09/06/2010	DRG. NO.	TCP-3029-04	
FINISH	CLEAN & DEBURR	TOLERANCES	TAYLOR CONSTRUCTION PLANT LTD. QUAYSIDE PARK, BRISTOL ROAD, MALDON, ESSEX, CM9 5FA, TEL +441821 850777 FAX +441621 843330 WWW.TCP.EU.COM		CHECKED	SHEET	1	STOCK NO	SA-3029-04
		ANGLES				OF	1		

UNCONTROLLED DOCUMENT
CHECK FOR AMMENDMENTS BEFORE USE



ITEM	SCALE	NTS	DRG. NO.	STOCK NO.	KIT	DESCRIPTION	QTY
53	ISO 7040 - M8	01-0017				HEX NUT WITH TORQUE PART	1
52	ISO 4014 - M8 X 80	01-3208				HEXAGON HEAD BOLT - PRODUCT GRADES A AND B	1
51	TCP-2809	10-0066				CHALWIN VALVE	1
50	ISO 4762 - M8 X 16	01-0033				HEXAGON SOCKET HEAD CAP SCREW	8
49	BS 4320 - M6 (FORM A)	"VARIES"				BRIGHT METAL WASHER - METRIC SERIES	15
48	ISO 4762 - M6 X 12	01-0085				HEXAGON SOCKET HEAD CAP SCREW	11
47	ISO 7045 - M3 X 25 - 4.8 - Z	01-0168				PAN HEAD SCREW - GRADE A	2
46	ISO 7040 - M3	01-0032				HEX NUT WITH TORQUE PART	2
45	BS 4464 - M8 FORM B	02-0012				SPRING WASHER - METRIC SERIES	2
44	ISO 4017 - M8 X 30	01-0012				HEXAGON HEAD SCREW	2
43	BS 4320 - M8 (FORM A)	"VARIES"				BRIGHT METAL WASHER - METRIC SERIES	11
42	ISO 4017 - M6 X 20	01-0002				HEXAGON HEAD SCREW	2
41	ISO 4017 - M6 X 50 ST/ST	01-0148				HEXAGON HEAD SCREW	2
40	ISO 4032 - M6 ST/ST	01-0149				HEXAGON FULL NUT	4
39	BS 4320 - M6 (FORM A) ST/SD2-0037	01-0177				BRIGHT METAL WASHER - METRIC SERIES	10
38	ISO 4014 - M6 X 75	01-0177				HEXAGON HEAD BOLT - PRODUCT GRADES A AND B	2
37	BS 4320 - M4 (FORM A)	02-0028				BRIGHT METAL WASHER - METRIC SERIES	2
36	TCP-3202	03-0064				JUBILEE HOSE CLIP 08 - 12MM	2
35	TCP-2796	10-0082				JUBILEE HOSE CLIP 30 - 40MM	2
34	TCP-1093	80-0043				DECAL DANGER FALLING HAZARD	2
33	TCP-2989	80-2989				DECAL 12V DC	1
32	TCP-2976	71-0284				4 WAY TERMINAL BLOCK	1
31	TCP-2820	12-2891				HATZ ENGINE CONTROLLER	1
30	TCP-2988	62-0149				OIL DRAIN PIPE	1
29	TCP-2992	10-0080				JUBILEE HOSE CLIP 35 - 50MM	4
28	TCP-2995	10-2985				AIR INTAKE TUBE	1
27	TCP-2897	10-2897				AIR FILTER	1
26	TCP-2125	62-0148				1/4 BSP TO 1/4 INCH COMPRESSION	1
25	TCP-2984	62-0147				22MM BONDED WASHER	2
24	TCP-2984	14-0128				HATZ FUEL FILTER	1
23	TCP-2985	14-2985				BRACKET - HATZ FUEL FILTER	1
22	TCP-2808	42-0015				PULL STOP	1
21	TCP-2110	71-0036				M20 CABLE GLAND NUT	1
20	TCP-2109	71-0035				M20 INDEX CABLE GLAND	1
19	TCP-2332	12-0066				ASSY BUNG FOR ENGINE BREATHER HATZ	1
18	TCP-2397	03-0056				25.4MM GROMMET	1
17	TCP-2150	03-0046				12.7MM GROMMET	1
16	TCP-1620	12-0027				INSULATOR JUMP START	4
15	TCP-2107	03-0045				11.1MM GROMMET	3
14	TCP-2039	61-0012				32 DIA SERIES A LIGHT DUTY CLAMP	1
13	TCP-2023	61-0011				32 DIA SERIES B CLAMP	1
12	TCP-2052	12-0046				25MM SILVERFLEX HOSE	1
11	TCP-1854	12-0044				M22 BANJO BOLT	1
10	TCP-1853	12-2986				DIP STICK	1
9	TCP-2986	12-2986				DIP STICK TUBE ASSY	1
8	TCP-1930	61-0013				LITTLE PAL HAND PUMP	1
7	TCP-2807	60-0067				REGULATOR DUCATI HATZ 12V	1
6	TCP-2983	12-2891				SOUND BOX - HATZ 1B20	1
5	TCP-2880 SA	SA-2880				SUMP SOUND BOX	1
4	TCP-2982 SA	SA-2982				SUMP SOUND BOX	1
3	TCP-2877-02	SA-2877-02				HATZ 1B20 ENGINE ASSY SINCRO	1
2	TCP-2925	50-2930				INSULATION - ENGINE MOUNTING PLATE - HATZ 1B20	1
1	TCP-3092	51-2908				ENGINE MOUNTING PLATE 12MM - HATZ 1B20	1

UNCONTROLLED DOCUMENT
CHECK FOR AMMENDMENTS BEFORE USE

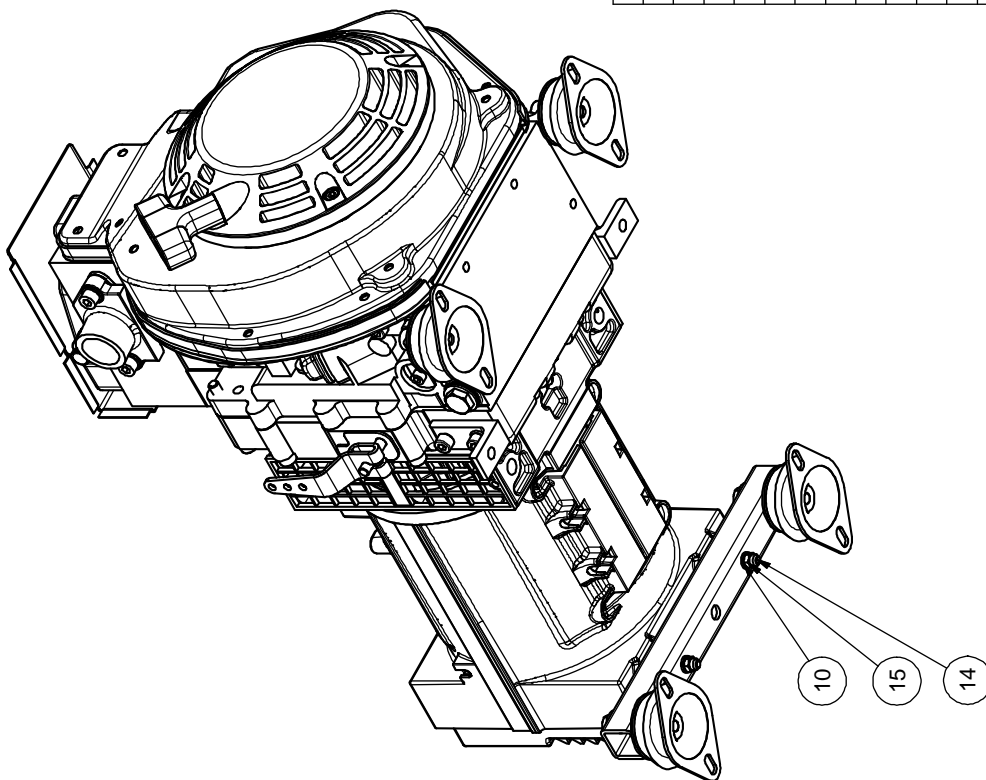
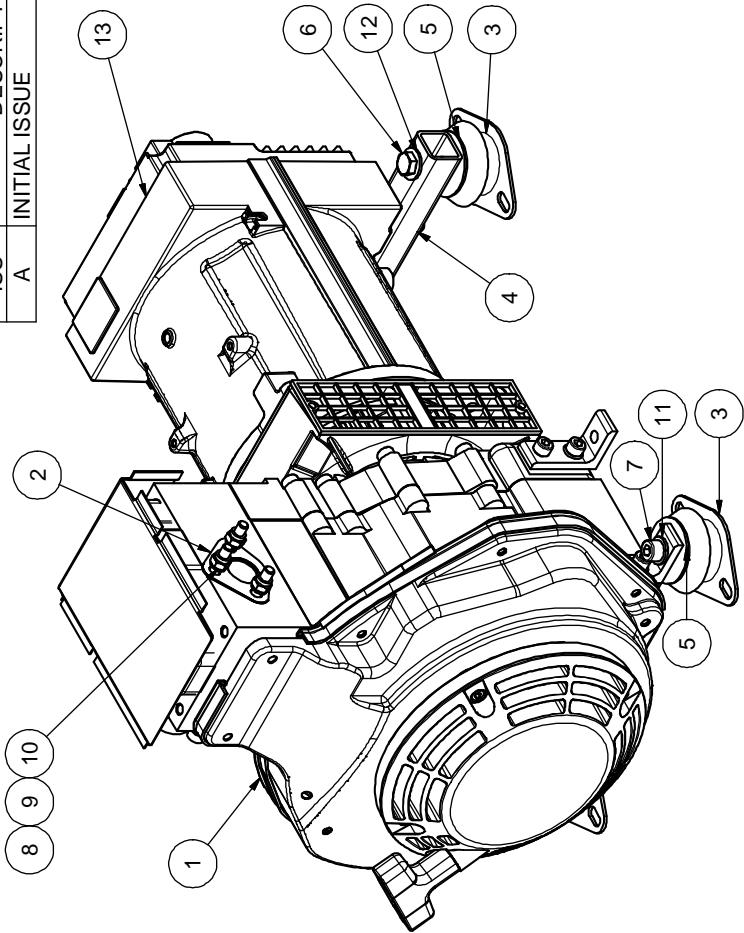
TITLE: ECOLITE ENGINE & SOUND BOX ASSY - HATZ 1B20 - SINCRO
 DRG. NO.: TCP-2875-02 SHEET 1 OF 1 STOCK NO: SA-2875-02
 DRAWN: CDR DATE: 09/06/2010
 CHECKED:

SCALE: NTS
 DIMENSIONS IN MM
 GENERAL: 1:05
 FINISH: CLEAN & DEBURR
 PROFILES: 1:02

TAYLOR CONSTRUCTION PLANT LTD.
 100 WILSON STREET, CHORLEY, LANCASHIRE, ENGLAND, PR6 7JG
 TEL: +44 (0)1257 343330 WWW.TCP.CO.UK

MATERIAL: A2

ISS	DESCRIPTION	DATE
A	INITIAL ISSUE	07/06/2010



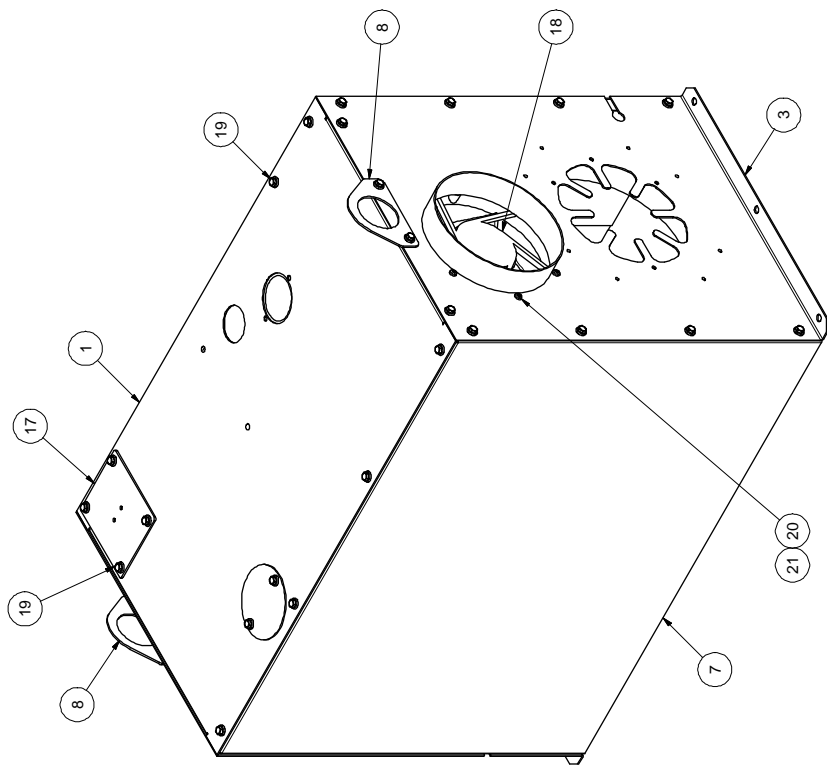
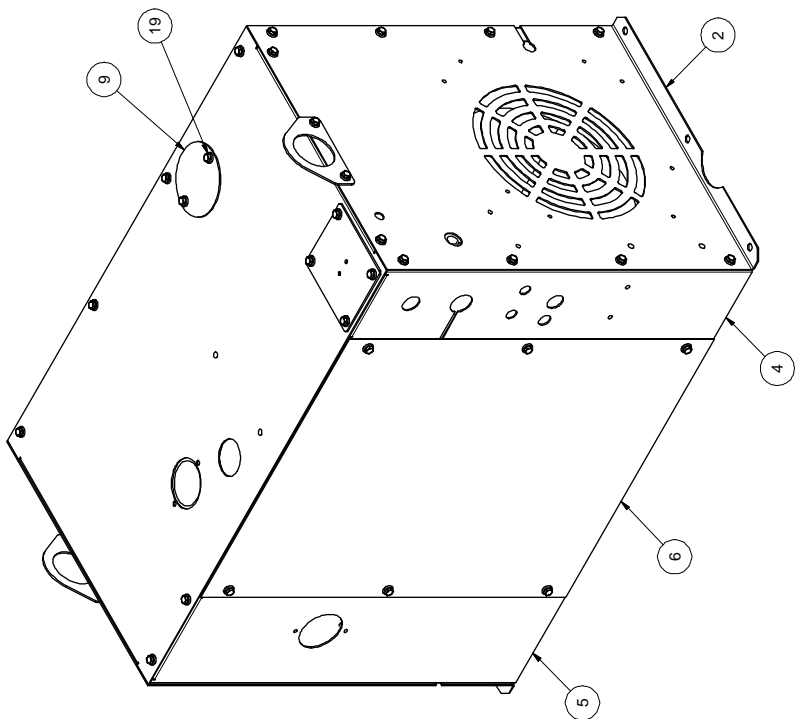
ITEM	DRG. NO.	STOCK NO.	DESCRIPTION	QTY
15	ISO 7040 - M6		HEX NUT WITH TORQUE PART	2
14	ISO 4014 - M6 X 50	01-0148	HEXAGON HEAD BOLT - PRODUCT GRADES A AND B	2
13	TCP-3358	71-3358	SINCRO ER2 CAT 4.2KVA 115/230 B3/B9 23MM	1
12	BS 4320 - M10 (FORM C)	01-0248	BRIGHT METAL WASHER - METRIC SERIES	2
11	BS 4320 - M10 (FORM A)		BRIGHT METAL WASHER - METRIC SERIES	2
10	BS 4320 - M6 (FORM A)	02-0004	BRIGHT METAL WASHER - METRIC SERIES	5
9	ISO 7040 - M8	01-0017	HEX NUT WITH TORQUE PART	3
8	DIN 835 - M8 X 30	-	DOUBLE END STUD	3
7	ISO 4762 - M10 X 30	01-0180	HEXAGON SOCKET HEAD CAP SCREW	2
6	ISO 4017 - M10 X 55	01-0197	HEXAGON HEAD SCREW	2
5	10.5X50X1.5	03-0219	WASHER	4
4	TCP-3093	12-3093	ALTERNATOR MOUNT CROSS BAR - HATZ 1B20	1
3	TCP-3094	12-3094	AV MOUNT - M10 - 40 SHORE SOLID	4
2	TCP-2879	12-2891	EXHAUST GASKET - 1B20	3
1	TCP-2891 SA	12-2891	ENGINE - 1B20 - TCP SPEC	1

MATERIAL	SCALE	1:4	DRAWN	CR	TITLE	HATZ 1B20 ENGINE ASSY SINCRO	
	DIMENSIONS IN MM	GENERAL ± 0.5		DATE		07/06/2010	DWG. NO.
FINISH	CLEAN & DEBURR	TAYLOR CONSTRUCTION PLANT LTD.		CHECKED		SHEET	1
		OVALSIDE PARK, BRATES FORD, MALDON, ESSEX, CM9 5FA, TEL +441621 850777 FAX +441621 843330 WWW.TCP.EU.COM				OF	1
						STOCK NO	SA-2877-02

UNCONTROLLED DOCUMENT
CHECK FOR AMMENDMENTS BEFORE USE

THIS DRAWING IS THE PROPERTY OF TAYLOR CONSTRUCTION PLANT LTD. AND MUST NOT BE REPRODUCED OR DISCLOSED EXCEPT AS AUTHORIZED IN WRITING BY TAYLOR CONSTRUCTION PLANT LTD.

ISS	DESCRIPTION	DATE
A	INITIAL ISSUE	18/07/2008
B	SEE DCA 00288	26/08/2008
C	SEE DCA 00316	08/10/2008
D	SEE DCA 00434	19/10/2009

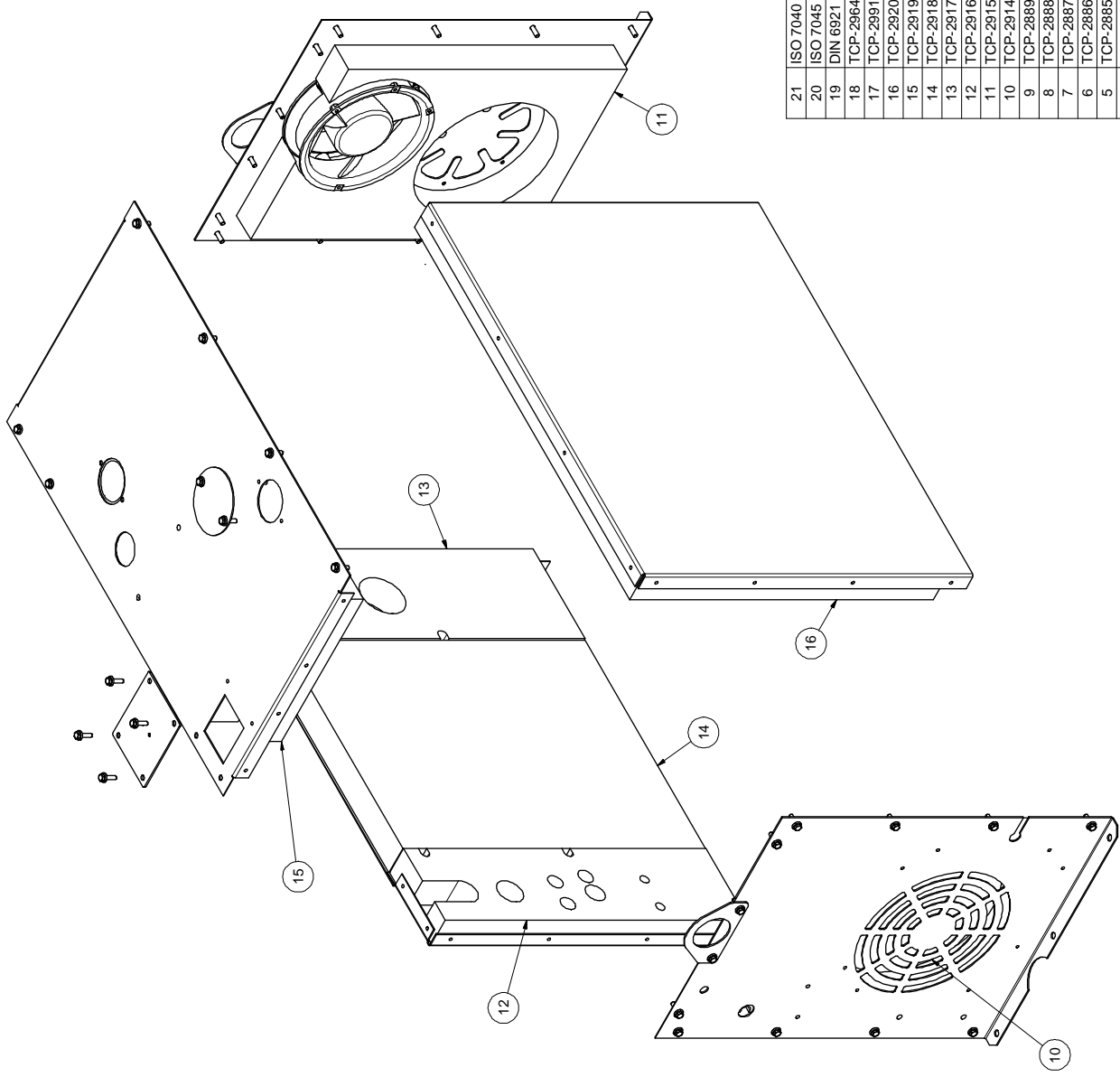


ITEM	SCALE	DRG. NO.	STOCK NO.	KIT	DESCRIPTION	QTY
21	ISO 7040 - M4	01-0019		RC	HEX NUT WITH TORQUE PART	4
20	ISO 7045 - M4 X 20 - 4.8 - Z	01-0181		RC	PAN HEAD SCREW - GRADE A	4
19	DIN 6921 - M5 X 16	01-0175			HEXAGON FLANGED BOLT	42
18	TCP-2964	12-0303			12 VOLT FAN	1
17	TCP-2991		51-2908		TERMINAL BLOCK COVER	1
16	TCP-2920		30-2930		INSULATION - SOUND BOX	1
15	TCP-2919		30-2930		INSULATION - SOUND BOX	1
14	TCP-2918		30-2930		INSULATION - SOUND BOX	1
13	TCP-2917		30-2930		INSULATION - SOUND BOX	1
12	TCP-2916		30-2930		INSULATION - SOUND BOX	1
11	TCP-2915		30-2930		INSULATION - SOUND BOX	1
10	TCP-2914		30-2930		INSULATION - SOUND BOX	1
9	TCP-2889		51-2908		EXHAUST BLANKING PLATE	1
8	TCP-2888		51-2908		LIFTING BRACKET	2
7	TCP-2887		51-2887		BACK PANEL, 1B20 ENGINE BOX	1
6	TCP-2886		51-2908		DOOR	1
5	TCP-2885		51-2908		FRONT PILLAR - LH	1
4	TCP-2884		51-2884		FRONT PILLAR - RH	1
3	TCP-3291		51-2908		END PLATE ASSY - LH, DESERT PACK	1
2	TCP-3293		51-2908		END PLATE - RH, DESERT PACK	1
1	TCP-2881		51-2908		TOP	1

UNCONTROLLED DOCUMENT
CHECK FOR AMMENDMENTS BEFORE USE

MATERIAL		SCALE 1:4		DRAWN		KIT		TITLE	
EMERSONS IN MM		TAYLOR CONSTRUCTION PLANT LTD.		RC		RC		SOUND BOX - HATZ 1B20	
GENERAL 1:00		G. MADON, E. SSKA, O. B. RA.		DATE		DATE		STOCK NO.	
PROJECT 1:02		TEL: +44 (0)1473 701100		18/07/2008		18/07/2008		TCP-2880 SA	
		WWW.TCP.CO.UK		CHECKED		CHECKED		SHEET 1 OF 2	
								ISA-2880	

ISS	DESCRIPTION	DATE
A	INITIAL ISSUE	18/07/2008
B	SEE DCA 00288	26/08/2008
C	SEE DCA 00316	08/10/2008
D	SEE DCA 00434	19/10/2009



ITEM	DRG. NO.	STOCK NO.	DESCRIPTION	QTY
21	ISO 7040 - M4	01-0019	HEX NUT WITH TORQUE PART	4
20	ISO 7045 - M4 X 20 - 4.8 - Z	01-0181	PAN HEAD SCREW - GRADE A	4
19	DIN 6921 - M5 X 16	01-0175	HEXAGON FLANGED BOLT	42
18	TCP-2964	12-0303	12 VOLT FAN	1
17	TCP-2991	51-2908	TERMINAL BLOCK COVER	1
16	TCP-2920	30-2930	INSULATION - SOUND BOX	1
15	TCP-2919	30-2930	INSULATION - SOUND BOX	1
14	TCP-2918	30-2930	INSULATION - SOUND BOX	1
13	TCP-2917	30-2930	INSULATION - SOUND BOX	1
12	TCP-2916	30-2930	INSULATION - SOUND BOX	1
11	TCP-2915	30-2930	INSULATION - SOUND BOX	1
10	TCP-2914	30-2930	INSULATION - SOUND BOX	1
9	TCP-2889	51-2908	EXHAUST BLANKING PLATE	1
8	TCP-2888	51-2908	LIFTING BRACKET	2
7	TCP-2887	51-2887	BACK PANEL, 1B20 ENGINE BOX	1
6	TCP-2886	51-2908	DOOR	1
5	TCP-2885	51-2908	FRONT PILLAR - LH	1
4	TCP-2884	51-2884	FRONT PILLAR - RH	1
3	TCP-3291	51-2908	END PLATE ASSY - LH, DESERT PACK	1
2	TCP-3293	51-2908	END PLATE - RH, DESERT PACK	1
1	TCP-2881	51-2908	TOP	1

SCALE: 1:4
 DIMENSIONS IN MM
 FINISH: CLEAN & DEBURR

DRW: RC
 DATE: 18/07/2008
 CHECKED:

TAYLOR CONSTRUCTION PLANT LTD.
 10, WALTON LANE, CHORLEY, LANCASHIRE, ENGLAND, PR6 9HT
 TEL: +44 (0)1257 321111 FAX: +44 (0)1257 321130
 WWW.TCP.CO.UK

DRG. NO. TCP-2880 SA SHEET 2 OF 2
 STOCK NO. SA-2880

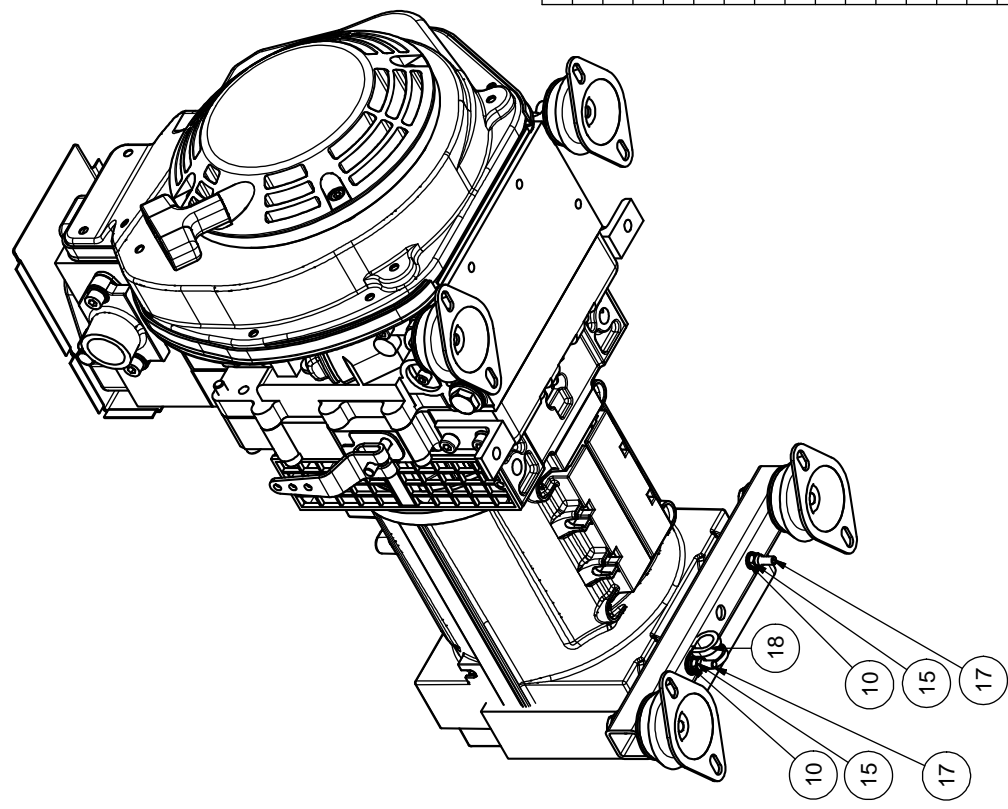
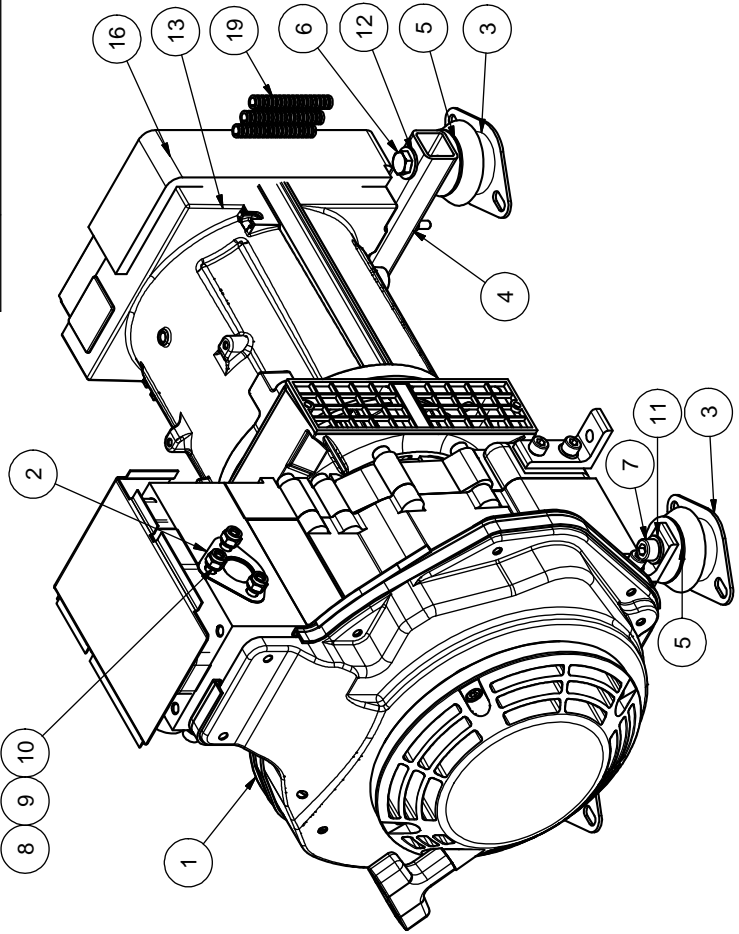
ITEM: KIT
 TITLE: SOUND BOX - HATZ 1B20

UNCONTROLLED DOCUMENT
 CHECK FOR AMMENDMENTS BEFORE USE

ECOLITE-P v3

HATZ 2012 SPEC
&
SINCRO ALTERNATOR

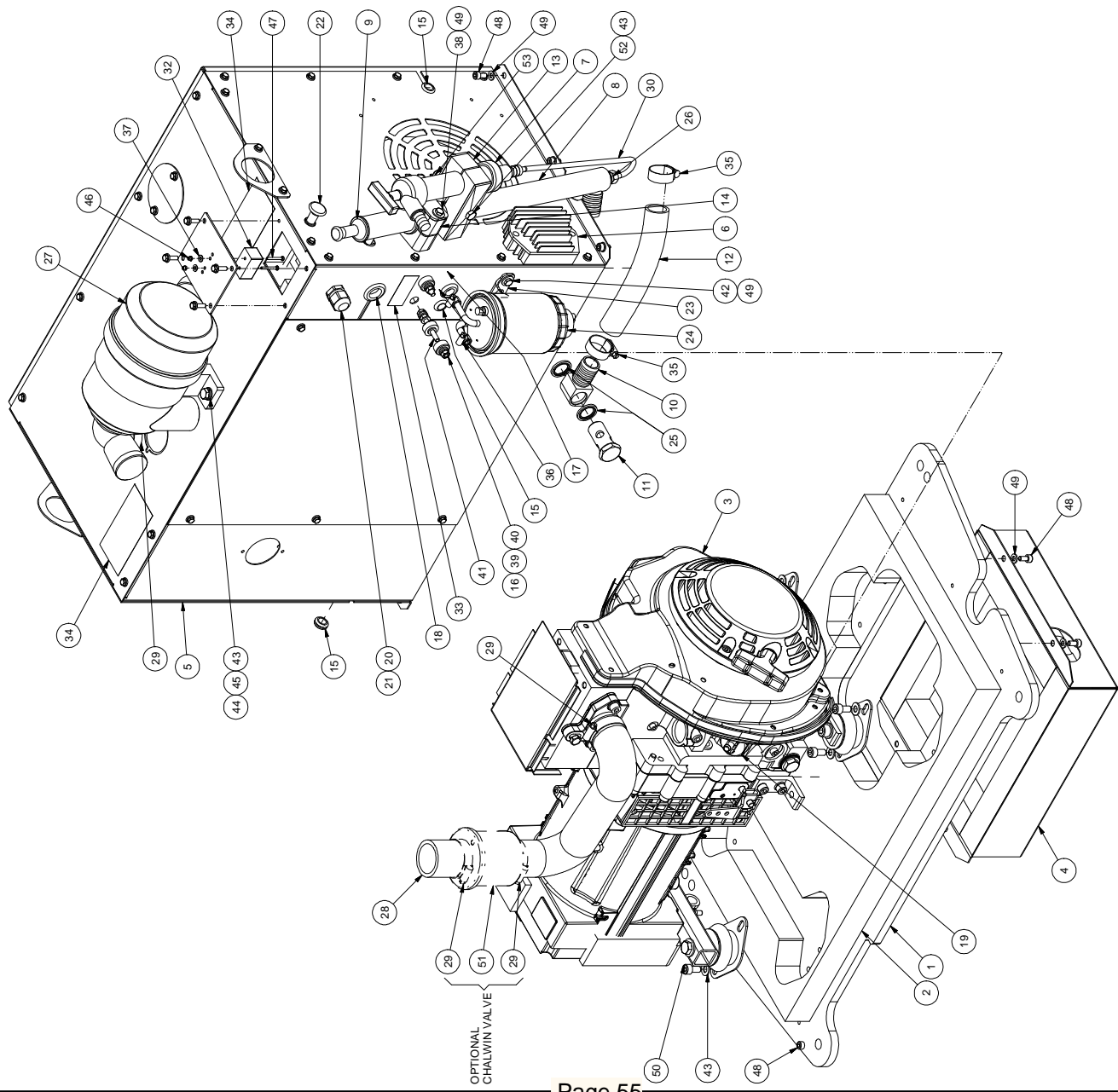
ISS	DESCRIPTION	DATE
A	INITIAL ISSUE	28/11/2011



ITEM	MATERIAL	DRG. No.	SCALE	STOCK No.	KIT	DESCRIPTION	QTY
19	TCP-3598		1:4	73-3597		CABLE SLEEVING 70mm LG	3
18	TCP-3515			03-0057		P-CLIP Ø14	1
17	ISO 4014 - M6 x 60			01-0089		HEXAGON HEAD BOLT - PRODUCT GRADES A and B	2
16	TCP-3429			30-3429		SINCRO ALTERNATOR FOAM STRIP	1
15	ISO 7040 - M6			01-0017		HEX NUT WITH TORQUE PART	2
13	TCP-3358			71-3358		SINCRO ER2 CAT 4.2KVA 115/230 B3/B9 23MM	1
12	BS 4320 - M10 (Form C)			01-0248		BRIGHT METAL WASHER - METRIC SERIES	2
11	BS 4320 - M10 (Form A)			02-0002		BRIGHT METAL WASHER - METRIC SERIES	2
10	BS 4320 - M6 (Form A)			02-0004		BRIGHT METAL WASHER - METRIC SERIES	5
9	ISO 7040 - M8			01-0017		HEX NUT WITH TORQUE PART	3
8	TCP-3407			01-3407	12-3635	M8 x 20 - EQUAL LENGTH STUD	3
7	ISO 4762 - M10 x 30			01-0180		HEXAGON SOCKET HEAD CAP SCREW	2
6	ISO 4017 - M10 x 55			01-0197		HEXAGON HEAD SCREW	2
5	10.5x50x1.5			03-0219		WASHER	4
4	TCP-3093			12-3093		ALTERNATOR MOUNT CROSS BAR - HATZ 1B20	1
3	TCP-3094			12-3094		AV MOUNT - M10 - 40 SHORE SOLID	4
2	TCP-2879			12-3635		EXHAUST GASKET - 1B20	3
1	TCP-3635 SA			12-3635		ENGINE - 1B20 - 2012 SPEC	1

UNCONTROLLED DOCUMENT
CHECK FOR AMMENDMENTS BEFORE USE

MATERIAL		SCALE 1:4		STOCK No.		KIT	
FINISH CLEAN & DEBURR		DIMENSIONS IN mm GENERAL ± 0.5 ANGLES ± 1/2°		TAYLOR CONSTRUCTION PLANT LTD. QUAYSIDE PARK, BRISTOL, AVON, WALTON, ESSEX, CM8 5FA, TEL +441621 850777 FAX +441621 843330 WWW.TCP.EU.COM		TITLE HATZ 1B20 2012 ENGINE ASSY	
DRAWN		DATE 28/11/2011		CHECKED		SHEET 1 OF 1	
CR		TCP-3766-01		SA-3766-01		A3	



ITEM	SCALE	NTS	DRG. No.	STOCK No.	KIT	DESCRIPTION	QTY
53	ISO 7040 - M8	01-0017				HEX NUT WITH TORQUE PART	1
52	ISO 4014 - M6 x 80	01-3208				HEXAGON HEAD BOLT - PRODUCT GRADES A and B	1
51	TCP-2809	10-0066				CHALWIN VALVE	1
50	ISO 4762 - M8 x 16	01-0033				HEXAGON SOCKET HEAD CAP SCREW	8
49	BS 4320 - M6 (Form A)	"Varies"				BRIGHT METAL WASHER - METRIC SERIES	15
48	ISO 4762 - M6 x 12	01-0065				HEXAGON SOCKET HEAD CAP SCREW	11
47	ISO 7045 - M3 x 25 - 4.8 - Z	01-0168				PAN HEAD SCREW - GRADE A	2
46	ISO 7040 - M3	01-0032				HEX NUT WITH TORQUE PART	2
45	BS 4464 - M8 Form B	02-0012				SPRING WASHER - METRIC SERIES	2
44	ISO 4017 - M8 x 30	01-0012				HEXAGON HEAD SCREW	2
43	BS 4320 - M8 (Form A)	"Varies"				BRIGHT METAL WASHER - METRIC SERIES	11
42	ISO 4017 - M6 x 20	01-0022				HEXAGON HEAD SCREW	2
41	ISO 4017 - M6 x 50 SVSt	01-0148				HEXAGON HEAD SCREW	2
40	ISO 4032 - M6 SVSt	01-0149				HEXAGON FULL NUT	4
39	BS 4320 - M6 (Form A) SVSt	02-0037				BRIGHT METAL WASHER - METRIC SERIES	10
38	ISO 4014 - M6 x 75	01-0177				HEXAGON HEAD BOLT - PRODUCT GRADES A and B	2
37	BS 4320 - M4 (Form A)	02-0028				BRIGHT METAL WASHER - METRIC SERIES	2
36	TCP-2922	03-0064				JUBILEE HOSE CLIP 08 - 12mm	2
35	TCP-2796	10-0082				JUBILEE HOSE CLIP 30 - 40mm	2
34	TCP-093	80-0043				DECAL DANGER FALLING HAZARD	2
33	TCP-2989	80-2989				DECAL 12v DC	1
32	TCP-2976	71-0284				4 WAY TERMINAL BLOCK	1
30	TCP-2898	62-0149				OIL DRAIN PIPE	1
29	TCP-2892	10-0080				JUBILEE HOSE CLIP 35 - 50mm	4
28	TCP-2895	10-2895				AIR INTAKE TUBE	1
27	TCP-2897	10-2897				AIR FILTER	1
26	TCP-2125	62-0148				1/4 BSPT TO 1/4 INCH COMPRESSION	1
25		62-0147				22mm BONDED WASHER	2
24	TCP-2884	14-0128	12-3635			HATZ FUEL FILTER	1
23	TCP-2985	14-2985				BRACKET - HATZ FUEL FILTER	1
22	TCP-2808	42-0015				PULL STOP	1
21	TCP-2110	71-0036				M20 CABLE GLAND NUT	1
20	TCP-2709	71-0035				M20 INDEX CABLE GLAND	1
19	TCP-2332	12-0066				ASSY BUNG FOR ENGINE BREATHER HATZ	1
18	TCP-2397	03-0056				25.4mm GROMMET	1
17	TCP-2150	03-0046				12.7mm GROMMET	1
16	TCP-1620	12-0027				INSULATOR JUMP START	4
15	TCP-2707	03-0045				11.11mm GROMMET	3
14	TCP-2039	61-0012				32 DIA SERIES A LIGHT DUTY CLAMP	1
13	TCP-2023	61-0011				32 DIA SERIES B CLAMP	1
12	TCP-3635	12-3635				SILVERFLEX HOSE - ENGINE SUMP	1
11	TCP-1854	12-0045				M22 BANJO BOLT	1
10	TCP-1853	12-0044				M22 BANJO	1
9	TCP-2986	12-2986	12-3635			DIP STICK	1
8	TCP-1930	61-0013				DIPSTICK TUBE ASSY	1
7	TCP-2807	60-0067				LITTLE PAL HAND PUMP	1
6	TCP-2983	12-3635				REGULATOR DUCATI HATZ 12V	1
5	TCP-3428 SA					SOUND BOX - HATZ 1B20 - LARGE	1
4	TCP-2982 SA	SA-2982				SUMP SOUND BOX	1
3	TCP-3766-01	SA-3766-01				HATZ 1B20 2012 ENGINE ASSY	1
2	TCP-3423	30-3425				INSULATION - ENGINE MOUNTING PLATE - HATZ 1B20 - LARGE	1
1	TCP-3092	51-3424				ENGINE MOUNTING PLATE 12MM - HATZ 1B20	1

UNCONTROLLED DOCUMENT
CHECK FOR AMENDMENTS BEFORE USE

MATERIAL: FINISH: CLEAN & DEBURR

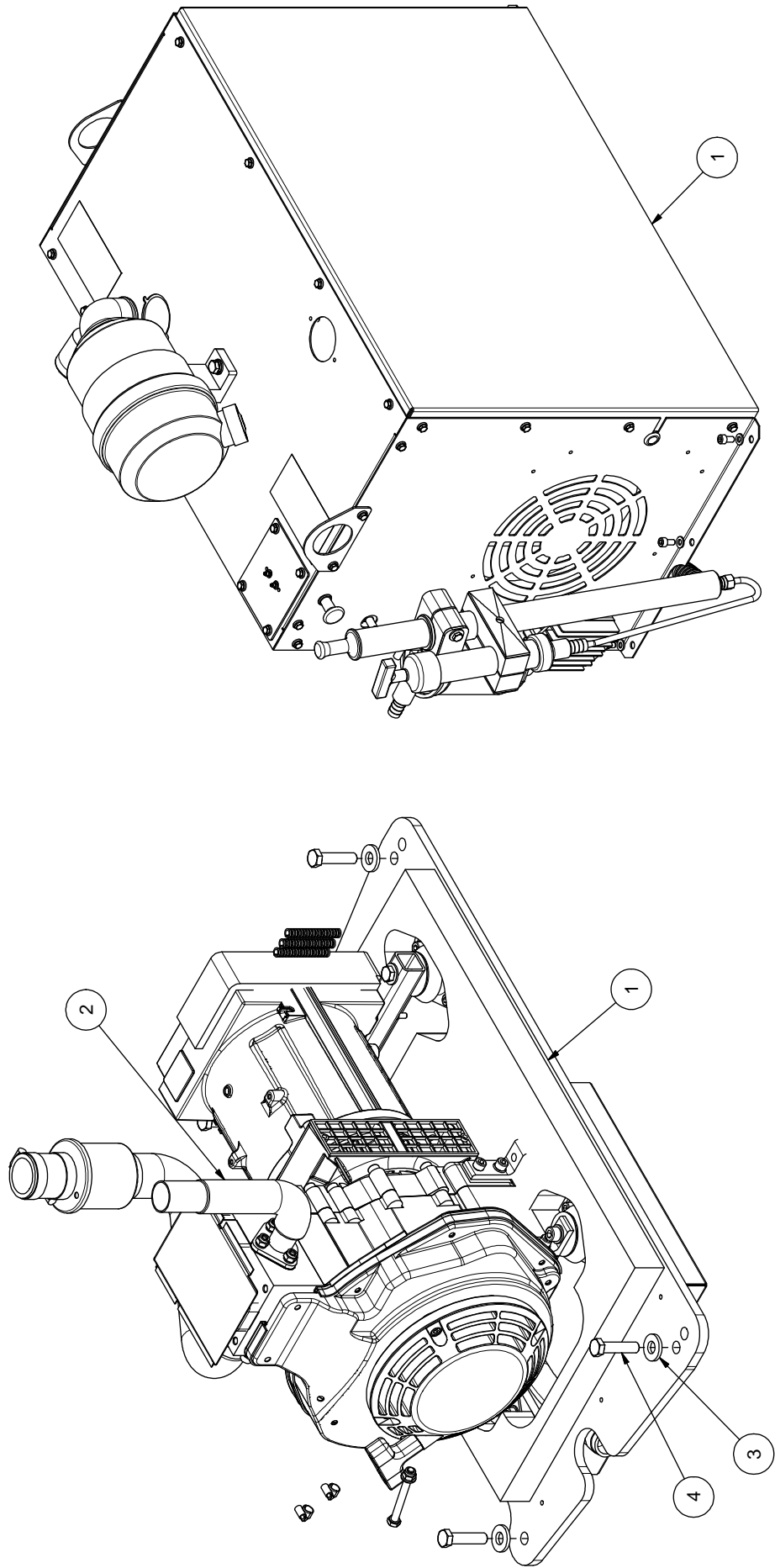
SCALE: NTS DIMENSIONS IN mm GENERAL: A:5 PROFILES: 4:1/2

TAYLOR CONSTRUCTION PLANT LTD.
GARDEN ROAD, WISBECH, CAMBS, ENGLAND CB23 7JQ
TEL: +44 (0)1845 252100 FAX: +44 (0)1845 252101 WWW.TCP-UK.COM

DRWN: CDR DATE: 28/11/2011
CHKD: []
TITL: ECOLITE ENGINE & SOUND BOX ASSY - HATZ 1B20 2012
DRG No: TCP-3767-01 SHEET 1 OF 1 STOCK No: SA-3767-01

THRU HOLE: A2

ISS	DESCRIPTION	DATE
A	INITIAL ISSUE	28/11/2011



4	ISO 4017 - M12 x 50	01-0098	HEXAGON HEAD SCREW	4
3	TCP-2030	02-0044	WASHER M12X30x4	4
2	TCP-4061-02	10-4061-02	EXHAUST OUTLET 1B20 ENGINE	1
1	TCP-3767-01	SA-3767-01	ECOLITE ENGINE & SOUND BOX ASSY - HATZ 1B20 2012	1
ITEM	DRG. No.	STOCK No.	DESCRIPTION	QTY

MATERIAL		SCALE	1:5	DRAWN		CDR	TITLE		ECOLITE P POWER UNIT - HATZ 1B20 - SINCRO	
FINISH		DIMENSIONS IN mm	GENERAL ± 0.5	DATE		28/11/2011	TAYLOR CONSTRUCTION PLANT LTD.		SHEET 1	
CLEAN & DEBURR		TOL'S	ANGLES ± 1/2°	CHECKED			QUAYSIDE PARK, BRISTOL, AVON, MALDON, ESSEX, CNR SFA, TEL +441621 850777 FAX +441621 843330 WWW.TCP.EU.COM		STOCK No SA-3029-04	
								TCP-3029-04		OF 1

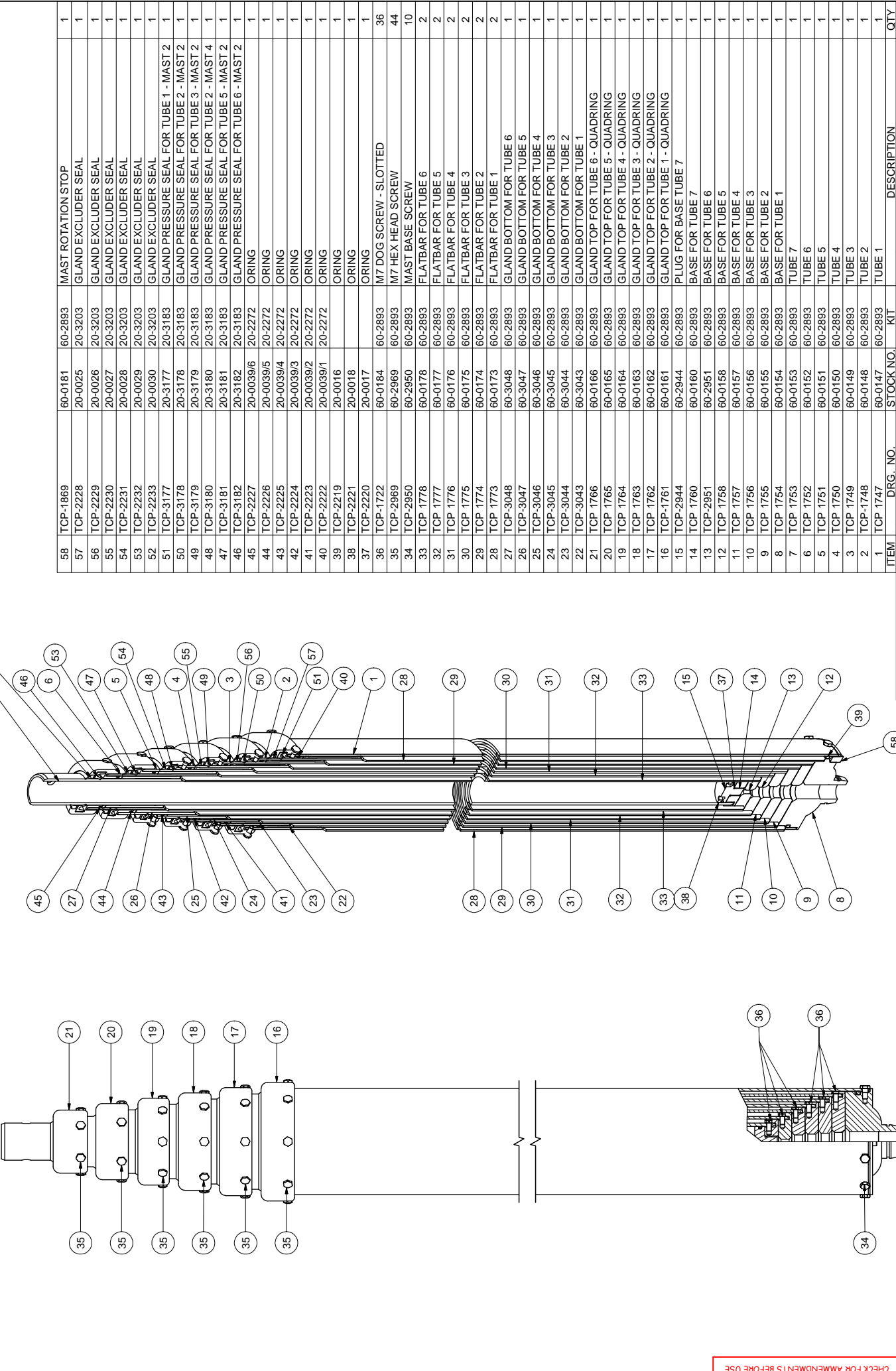
UNCONTROLLED DOCUMENT
CHECK FOR AMMENDMENTS BEFORE USE

ECOLITE-P V1

2 ROD MAST

ISS	DESCRIPTION	DATE
A	INITIAL ISSUE	19/08/2008
B	SEE DCA 00312	01/10/2008
C	SEE DCA 00370	15/12/2008
D	SEE DCA 00407	25/06/2009

THIS DRAWING IS THE PROPERTY OF TAYLOR CONSTRUCTION PLANT LTD AND MUST NOT BE REPRODUCED OR DISCLOSED EXCEPT AS AUTHORISED IN WRITING BY TAYLOR CONSTRUCTION PLANT LTD



ITEM	SCALE	DRG. NO.	STOCK NO.	KIT	DESCRIPTION	QTY
58	TCP-1869	60-0181	60-2893		MAST ROTATION STOP	1
57	TCP-2228	20-0025	20-3203		GLAND EXCLUDER SEAL	1
56	TCP-2229	20-0026	20-3203		GLAND EXCLUDER SEAL	1
55	TCP-2230	20-0027	20-3203		GLAND EXCLUDER SEAL	1
54	TCP-2231	20-0028	20-3203		GLAND EXCLUDER SEAL	1
53	TCP-2232	20-0029	20-3203		GLAND EXCLUDER SEAL	1
52	TCP-2233	20-0030	20-3203		GLAND EXCLUDER SEAL	1
51	TCP-3177	20-3177	20-3183		GLAND PRESSURE SEAL FOR TUBE 1 - MAST 2	1
50	TCP-3178	20-3178	20-3183		GLAND PRESSURE SEAL FOR TUBE 2 - MAST 2	1
49	TCP-3179	20-3179	20-3183		GLAND PRESSURE SEAL FOR TUBE 3 - MAST 2	1
48	TCP-3180	20-3180	20-3183		GLAND PRESSURE SEAL FOR TUBE 2 - MAST 4	1
47	TCP-3181	20-3181	20-3183		GLAND PRESSURE SEAL FOR TUBE 5 - MAST 2	1
46	TCP-3182	20-3182	20-3183		GLAND PRESSURE SEAL FOR TUBE 6 - MAST 2	1
45	TCP-2227	20-0039/6	20-2272		ORING	1
44	TCP-2226	20-0039/5	20-2272		ORING	1
43	TCP-2225	20-0039/4	20-2272		ORING	1
42	TCP-2224	20-0039/3	20-2272		ORING	1
41	TCP-2223	20-0039/2	20-2272		ORING	1
40	TCP-2222	20-0039/1	20-2272		ORING	1
39	TCP-2219	20-0016			ORING	1
38	TCP-2221	20-0018			ORING	1
37	TCP-2220	20-0017			ORING	1
36	TCP-1722	60-0184	60-2893		M7 DOG SCREW - SLOTTED	36
35	TCP-2969	60-2969	60-2893		M7 HEX HEAD SCREW	44
34	TCP-2950	60-2950	60-2893		MAST BASE SCREW	10
33	TCP-1778	60-0178	60-2893		FLATBAR FOR TUBE 6	2
32	TCP-1777	60-0177	60-2893		FLATBAR FOR TUBE 5	2
31	TCP-1776	60-0176	60-2893		FLATBAR FOR TUBE 4	2
30	TCP-1775	60-0175	60-2893		FLATBAR FOR TUBE 3	2
29	TCP-1774	60-0174	60-2893		FLATBAR FOR TUBE 2	2
28	TCP-1773	60-0173	60-2893		FLATBAR FOR TUBE 1	2
27	TCP-3048	60-3048	60-2893		GLAND BOTTOM FOR TUBE 6	1
26	TCP-3047	60-3047	60-2893		GLAND BOTTOM FOR TUBE 5	1
25	TCP-3046	60-3046	60-2893		GLAND BOTTOM FOR TUBE 4	1
24	TCP-3045	60-3045	60-2893		GLAND BOTTOM FOR TUBE 3	1
23	TCP-3044	60-3044	60-2893		GLAND BOTTOM FOR TUBE 2	1
22	TCP-3043	60-3043	60-2893		GLAND BOTTOM FOR TUBE 1	1
21	TCP-1766	60-0166	60-2893		GLAND TOP FOR TUBE 6 - QUADRING	1
20	TCP-1765	60-0165	60-2893		GLAND TOP FOR TUBE 5 - QUADRING	1
19	TCP-1764	60-0164	60-2893		GLAND TOP FOR TUBE 4 - QUADRING	1
18	TCP-1763	60-0163	60-2893		GLAND TOP FOR TUBE 3 - QUADRING	1
17	TCP-1762	60-0162	60-2893		GLAND TOP FOR TUBE 2 - QUADRING	1
16	TCP-1761	60-0161	60-2893		GLAND TOP FOR TUBE 1 - QUADRING	1
15	TCP-2944	60-2944	60-2893		PLUG FOR BASE TUBE 7	1
14	TCP-1760	60-0160	60-2893		BASE FOR TUBE 7	1
13	TCP-2951	60-2951	60-2893		BASE FOR TUBE 6	1
12	TCP-1758	60-0158	60-2893		BASE FOR TUBE 5	1
11	TCP-1757	60-0157	60-2893		BASE FOR TUBE 4	1
10	TCP-1756	60-0156	60-2893		BASE FOR TUBE 3	1
9	TCP-1755	60-0155	60-2893		BASE FOR TUBE 2	1
8	TCP-1754	60-0154	60-2893		BASE FOR TUBE 1	1
7	TCP-1753	60-0153	60-2893		TUBE 7	1
6	TCP-1752	60-0152	60-2893		TUBE 6	1
5	TCP-1751	60-0151	60-2893		TUBE 5	1
4	TCP-1750	60-0150	60-2893		TUBE 4	1
3	TCP-1749	60-0149	60-2893		TUBE 3	1
2	TCP-1748	60-0148	60-2893		TUBE 2	1
1	TCP-1747	60-0147	60-2893		TUBE 1	1

SCALE: 1:3	DRG. NO.:	STOCK NO.:	KIT:	DESCRIPTION:	QTY:
TAYLOR CONSTRUCTION PLANT LTD.					
GARDNER WHARF, 105 WILSON STREET, WARRINGTON, CHESHIRE, ENGLAND. TEL: +44 (0)1925 838300 FAX: +44 (0)1925 838301 WWW.TCP.CO.UK					
FINISH: CLEAN & DEBURR				TITLE: MAST MK II	
EMERSONS IN WMA				DRAWN: RC	
GENERAL: 0.5				DATE: 19/08/2008	
PROJETS: 1/02				CHECKED:	
				DRG. NO.:	
				TCP-2946 SA	
				SHEET 1	
				OF 1	
				SA-2945	
				A2	

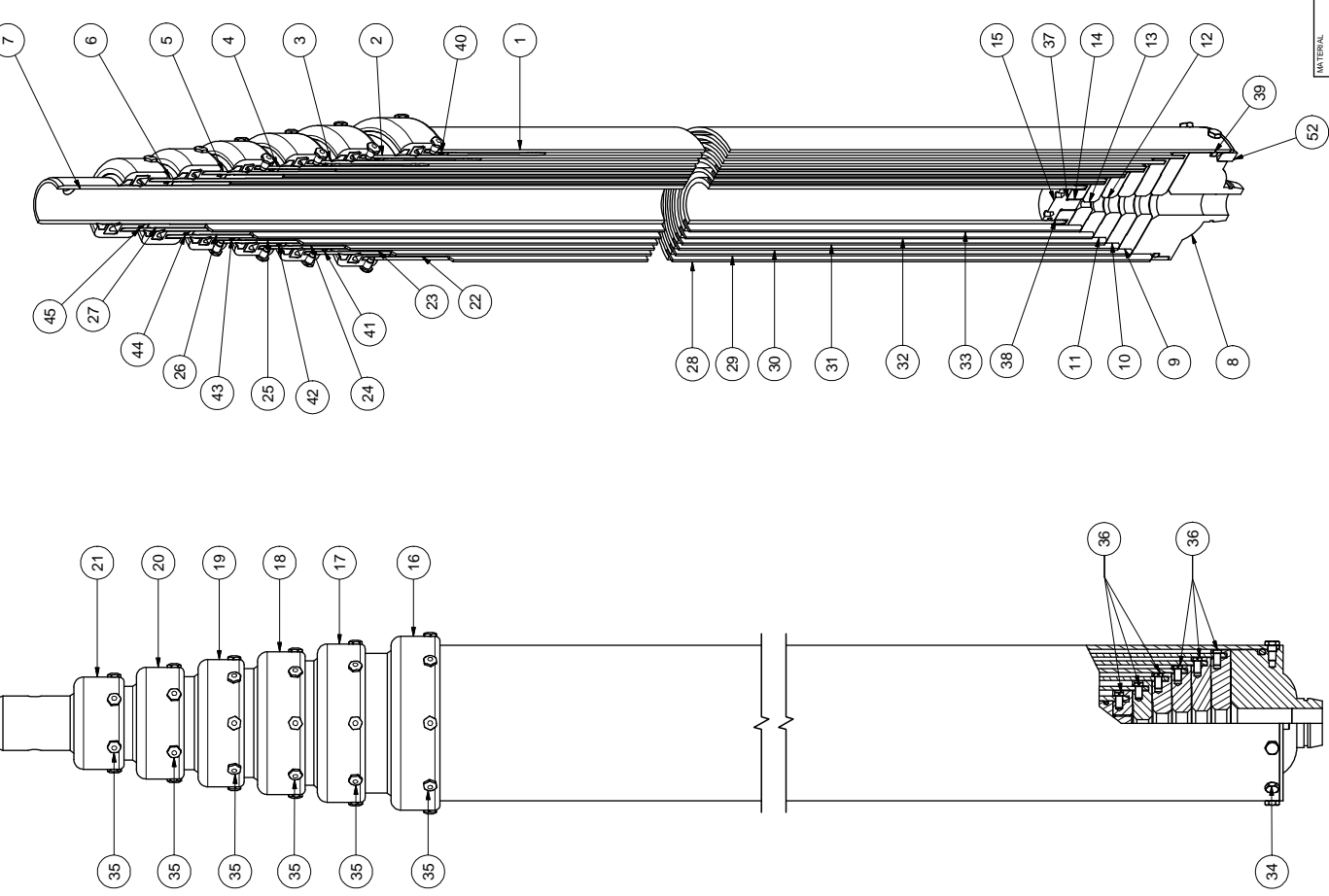
UNCONTROLLED DOCUMENT
CHECK FOR AMENDMENTS BEFORE USE

ECOLITE-P V2

3 ROD MAST

ISS	DESCRIPTION	DATE
A	INITIAL ISSUE	05/02/2009
B	REVISED O'RING ISSUE PARTS	16/04/2009
C	KITS ADDED	29/06/2009
D	DCA 00426	30/09/2009

ITEM	DRG. NO.	STOCK NO.	DESCRIPTION	QTY	
58	TCP-1869	60-0181	MAST ROTATION STOP	1	
57	TCP-3182	20-3183	GLAND PRESSURE SEAL FOR TUBE 6 - MAST 2	1	
56	TCP-3181	20-3181	GLAND PRESSURE SEAL FOR TUBE 5 - MAST 2	1	
55	TCP-3180	20-3180	GLAND PRESSURE SEAL FOR TUBE 2 - MAST 4	1	
54	TCP-3179	20-3179	GLAND PRESSURE SEAL FOR TUBE 3 - MAST 2	1	
53	TCP-3178	20-3183	GLAND PRESSURE SEAL FOR TUBE 2 - MAST 2	1	
52	TCP-3177	20-3177	GLAND PRESSURE SEAL FOR TUBE 1 - MAST 2	1	
51	TCP-2233	20-0030	GLAND EXCLUDER SEAL	1	
50	TCP-2232	20-0029	GLAND EXCLUDER SEAL	1	
49	TCP-2231	20-0028	GLAND EXCLUDER SEAL	1	
48	TCP-2230	20-0027	GLAND EXCLUDER SEAL	1	
47	TCP-2229	20-0026	GLAND EXCLUDER SEAL	1	
46	TCP-2228	20-0025	GLAND EXCLUDER SEAL	1	
45	TCP-2227	20-0039/6	ORING	1	
44	TCP-2226	20-0039/5	20-2272	ORING	1
43	TCP-2225	20-0039/4	20-2272	ORING	1
42	TCP-2224	20-0039/3	20-2272	ORING	1
41	TCP-2223	20-0039/2	20-2272	ORING	1
40	TCP-2222	20-0039/1	20-2272	ORING	1
39	TCP-2219	20-0016	ORING	1	
38	TCP-2221	20-0018	ORING	1	
37	TCP-2220	20-0017	ORING	1	
36	TCP-3142	60-3142	M7 DOG SCREW - SHORT	36	
35	TCP-3137	60-3137	M7 HEX HEAD SCREW - SHORT	44	
34	TCP-2950	60-2950	MAST BASE SCREW	10	
33	TCP-3158	60-3158	FLATBAR FOR TUBE 6 - MAST 2	2	
32	TCP-3157	60-3157	FLATBAR FOR TUBE 5 - MAST 2	2	
31	TCP-3156	60-3156	FLATBAR FOR TUBE 4 - MAST 2	2	
30	TCP-3125	60-3125	FLATBAR FOR TUBE 3 - MAST 2	3	
29	TCP-3124	60-3124	FLATBAR FOR TUBE 2 - MAST 2	3	
28	TCP-3123	60-3123	FLATBAR FOR TUBE 1 - MAST 2	3	
27	TCP-3155	60-3155	GLAND BOTTOM FOR TUBE 6 - MAST 2	1	
26	TCP-3154	60-3154	GLAND BOTTOM FOR TUBE 5 - MAST 2	1	
25	TCP-3153	60-3153	GLAND BOTTOM FOR TUBE 4 - MAST 2	1	
24	TCP-3122	60-3122	GLAND BOTTOM FOR TUBE 3 - MAST 2	1	
23	TCP-3121	60-3121	GLAND BOTTOM FOR TUBE 2 - MAST 2	1	
22	TCP-3120	60-3120	GLAND BOTTOM FOR TUBE 1 - MAST 2	1	
21	TCP-3176	60-3176	GLAND TOP FOR TUBE 6 - MAST2 - BI SEAL	1	
20	TCP-3175	60-3175	GLAND TOP FOR TUBE 5 - MAST2 - BI SEAL	1	
19	TCP-3174	60-3174	GLAND TOP FOR TUBE 4 - MAST2 - BI SEAL	1	
18	TCP-3173	60-3173	GLAND TOP FOR TUBE 3 - MAST2 - BI SEAL	1	
17	TCP-3172	60-3172	GLAND TOP FOR TUBE 2 - MAST2 - BI SEAL	1	
16	TCP-3171	60-3171	GLAND TOP FOR TUBE 1 - MAST2 - BI SEAL	1	
15	TCP-2944	60-2944	PLUG FOR BASE TUBE 7	1	
14	TCP-3161	60-3161	BASE FOR TUBE 7 - MAST 2	1	
13	TCP-3160	60-3160	BASE FOR TUBE 6 - MAST 2	1	
12	TCP-3159	60-3159	BASE FOR TUBE 5 - MAST 2	1	
11	TCP-3119	60-3119	BASE FOR TUBE 4 - MAST 2	1	
10	TCP-3118	60-3118	BASE FOR TUBE 3 - MAST 2	1	
9	TCP-3117	60-3117	BASE FOR TUBE 2 - MAST 2	1	
8	TCP-3116	60-3116	BASE FOR TUBE 1 - MAST 2	1	
7	TCP-3150	60-3150	TUBE 7 - MAST 2	1	
6	TCP-3149	60-3149	TUBE 6 - MAST 2	1	
5	TCP-3148	60-3148	TUBE 5 - MAST 2	1	
4	TCP-3132	60-3132	TUBE 4 - MAST 2	1	
3	TCP-3131	60-3131	TUBE 3 - MAST 2	1	
2	TCP-3130	60-3130	TUBE 2 - MAST 2	1	
1	TCP-3129	60-3129	TUBE 1 - MAST 2	1	
ITEM	DRG. NO.	STOCK NO.	DESCRIPTION	QTY	
		KIT			



UNCONTROLLED DOCUMENT
CHECK FOR AMENDMENTS BEFORE USE

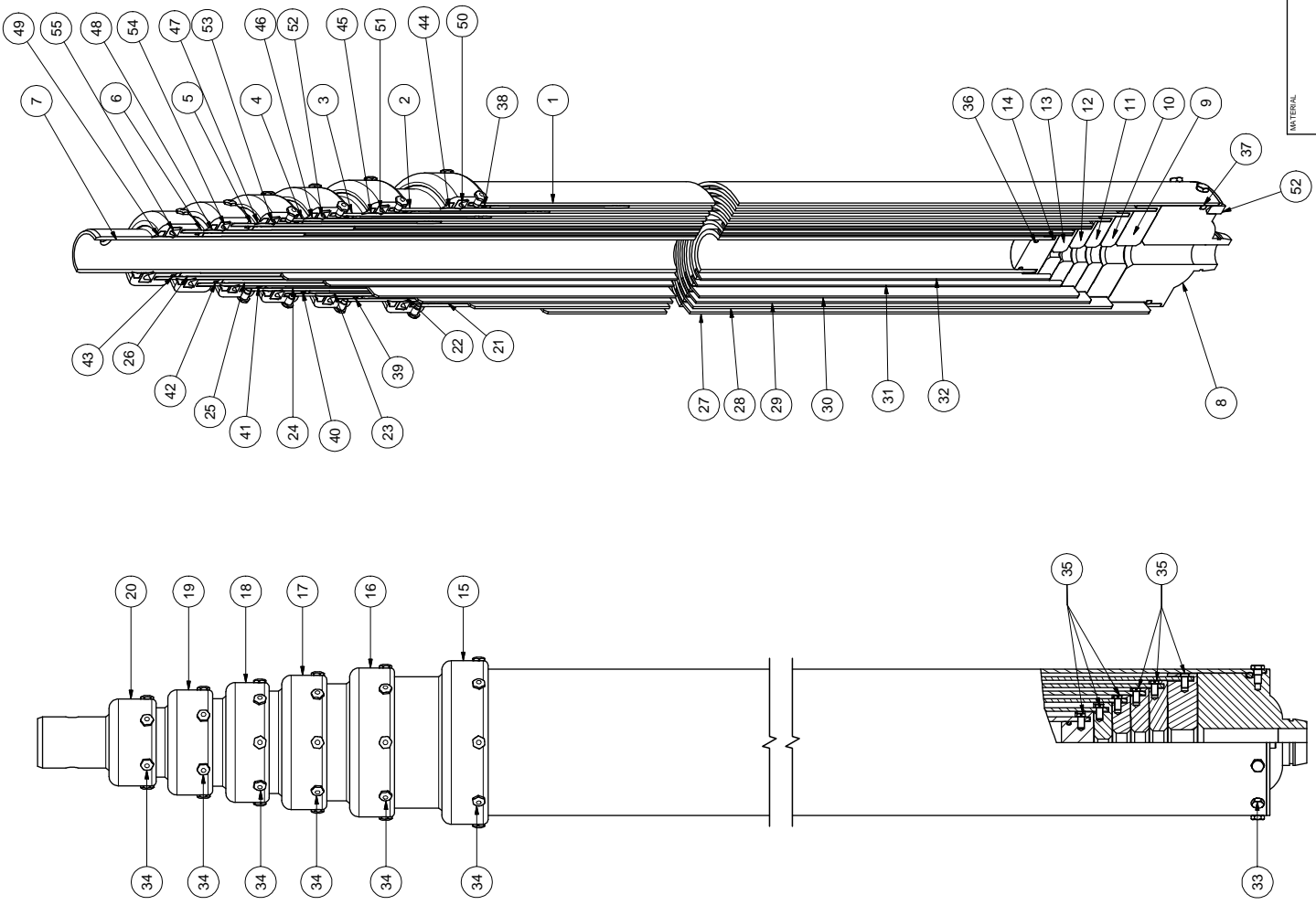
SCALE 1:3 DIMENSIONS IN MM TOL: GENERAL .015 FINISH CLEAN & DEBURR PROCS 1/12	DRAWN CDR DATE 05/02/2009 CHECKED TAYLOR CONSTRUCTION PLANT LTD. GARDNER, ESSA, CHAPRA, JI TEL: 44 (0)1923 833333 WWW.TCP.CO.UK	TITLE MAST2 - 3 ROD DRG NO. TCP-3126 SA SHEET 1 OF 1 STOCK NO. SA-3126	THIRD ANGLE A2
---	---	---	-------------------

ECOLITE-P V3

3 ROD PROFILE MAST

ISS	DESCRIPTION	DATE
A	INITIAL ISSUE	24/02/2011
B	SEE DCA 00628	31/05/2011
C	SEE DCA 00633	07/06/2011

ITEM	DRG. NO.	STOCK NO.	KIT	DESCRIPTION	QTY
56	TCP-1869	60-0181	60-3620	MAST ROTATION STOP	1
55	TCP-3182	20-3182	20-3183	GLAND PRESSURE SEAL FOR TUBE 6 - MAST 2	1
54	TCP-3181	20-3181	20-3183	GLAND PRESSURE SEAL FOR TUBE 5 - MAST 2	1
53	TCP-3180	20-3180	20-3183	GLAND PRESSURE SEAL FOR TUBE 2 - MAST 2	1
52	TCP-3179	20-3179	20-3183	GLAND PRESSURE SEAL FOR TUBE 3 - MAST 2	1
51	TCP-3178	20-3178	20-3183	GLAND PRESSURE SEAL FOR TUBE 2 - MAST 2	1
50	TCP-3177	20-3177	20-3183	GLAND PRESSURE SEAL FOR TUBE 1 - MAST 2	1
49	TCP-3629	20-3629	20-3630	GLAND EXCLUDER SEAL - POLYURETHANE	1
48	TCP-3628	20-3628	20-3630	GLAND EXCLUDER SEAL - POLYURETHANE	1
47	TCP-3627	20-3627	20-3630	GLAND EXCLUDER SEAL - POLYURETHANE	1
46	TCP-3626	20-3626	20-3630	GLAND EXCLUDER SEAL - POLYURETHANE	1
45	TCP-3625	20-3625	20-3630	GLAND EXCLUDER SEAL - POLYURETHANE	1
44	TCP-3624	20-3624	20-3630	GLAND EXCLUDER SEAL - POLYURETHANE	1
43	TCP-2227	20-0039/6		ORING	1
42	TCP-2226	20-0039/5		ORING	1
41	TCP-2225	20-0039/4		ORING	1
40	TCP-2224	20-0039/3		ORING	1
39	TCP-2223	20-0039/2		ORING	1
38	TCP-2222	20-0039/1		ORING	1
37	TCP-2219	20-0016		ORING	1
36	TCP-2221	20-0018		ORING	1
35	TCP-3142	60-3142	60-3620	M7 DOG SCREW - SHORT	36
34	TCP-3137	60-3137	60-3620	M7 HEX HEAD SCREW - SHORT	44
33	TCP-2950	60-2950	60-3620	MAST BASE SCREW	10
32	TCP-3579	60-3579	60-3647	FLATBAR FOR TUBE 6 - MAST - PROFILE	2
31	TCP-3578	60-3578	60-3647	FLATBAR FOR TUBE 5 - MAST - PROFILE	2
30	TCP-3577	60-3577	60-3647	FLATBAR FOR TUBE 4 - MAST - PROFILE	3
29	TCP-3576	60-3576	60-3647	FLATBAR FOR TUBE 3 - MAST - PROFILE	3
28	TCP-3575	60-3575	60-3647	FLATBAR FOR TUBE 2 - MAST - PROFILE	3
27	TCP-3586	60-3586	60-3620	GLAND BOTTOM FOR TUBE 6 - MAST - PROFILE	1
26	TCP-3585	60-3585	60-3620	GLAND BOTTOM FOR TUBE 5 - MAST - PROFILE	1
25	TCP-3584	60-3584	60-3620	GLAND BOTTOM FOR TUBE 4 - MAST - PROFILE	1
24	TCP-3583	60-3583	60-3620	GLAND BOTTOM FOR TUBE 3 - MAST - PROFILE	1
23	TCP-3582	60-3582	60-3620	GLAND BOTTOM FOR TUBE 2 - MAST - PROFILE	1
22	TCP-3581	60-3581	60-3620	GLAND BOTTOM FOR TUBE 1 - MAST - PROFILE	1
21	TCP-3176	60-3176	60-3620	GLAND TOP FOR TUBE 6 - MAST2 - BI SEAL	1
20	TCP-3175	60-3175	60-3620	GLAND TOP FOR TUBE 5 - MAST2 - BI SEAL	1
19	TCP-3174	60-3174	60-3620	GLAND TOP FOR TUBE 4 - MAST2 - BI SEAL	1
18	TCP-3173	60-3173	60-3620	GLAND TOP FOR TUBE 3 - MAST2 - BI SEAL	1
17	TCP-3172	60-3172	60-3620	GLAND TOP FOR TUBE 2 - MAST2 - BI SEAL	1
16	TCP-3171	60-3171	60-3620	GLAND TOP FOR TUBE 1 - MAST2 - BI SEAL	1
15	TCP-3593	60-3593	60-3620	BASE FOR TUBE 7 - MAST - PROFILE	1
14	TCP-3592	60-3592	60-3620	BASE FOR TUBE 6 - MAST - PROFILE	1
13	TCP-3591	60-3591	60-3620	BASE FOR TUBE 5 - MAST - PROFILE	1
12	TCP-3590	60-3590	60-3620	BASE FOR TUBE 4 - MAST - PROFILE	1
11	TCP-3589	60-3589	60-3620	BASE FOR TUBE 3 - MAST - PROFILE	1
10	TCP-3588	60-3588	60-3620	BASE FOR TUBE 2 - MAST - PROFILE	1
9	TCP-3587	60-3587	60-3620	BASE FOR TUBE 1 - MAST - PROFILE	1
8	TCP-3150	60-3150	60-3649	TUBE 7 - MAST 2	1
7	TCP-3149	60-3149	60-3649	TUBE 6 - MAST 2	1
6	TCP-3148	60-3148	60-3649	TUBE 5 - MAST 2	1
5	TCP-3147	60-3147	60-3649	TUBE 4 - MAST 2	1
4	TCP-3132	60-3132	60-3649	TUBE 3 - MAST 2	1
3	TCP-3131	60-3131	60-3649	TUBE 2 - MAST 2	1
2	TCP-3130	60-3130	60-3649	TUBE 1 - MAST 2	1
1	TCP-3317	60-3317	60-3649	TUBE 1 - MAST 2 - EXPORT	1



UNCONTROLLED DOCUMENT
CHECK FOR AMENDMENTS BEFORE USE

SCALE: 1:3 DIMENSIONS IN MM TOL: GENERAL: 0.05 FINISH: CLEAN & DEBURR PROFILES: 1/2	DRAWN: CDR DATE: 04/03/2011 CHECKED:	TITLE: MAST3 - PROFILED RODS DRG NO.: TCP-3594 SA SHEET 1 OF 1 STOCK NO: SA-3594	QTY:
MATERIAL:		TAYLOR CONSTRUCTION PLANT LTD. G: WILSON, ESSEX, CH49 5PA, UK TEL: +44 (0)1206 810000 WWW.TCP.CO.UK	

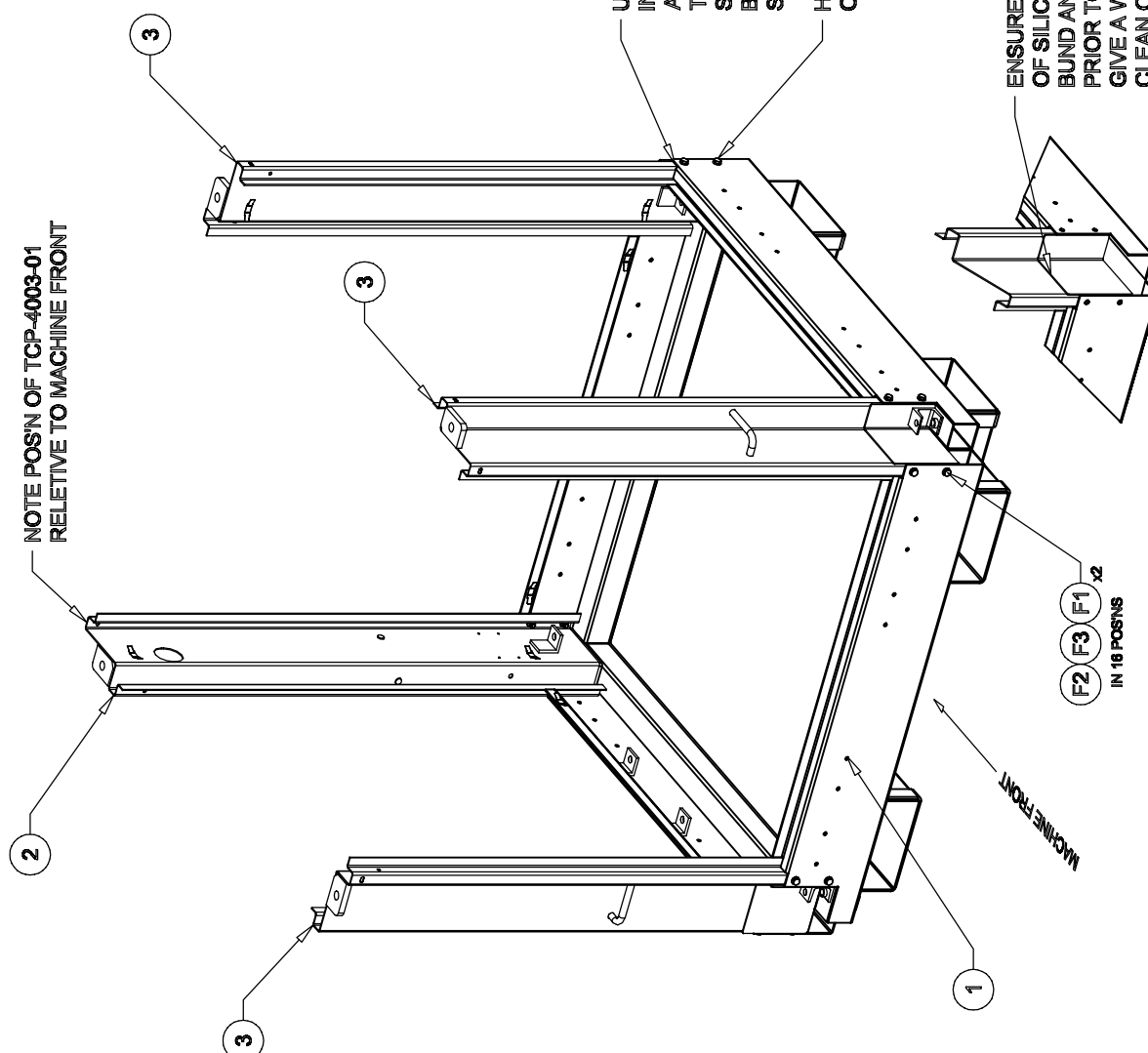
ECOLITE-P V1
MAINFRAME ASSY

THIS DRAWING IS THE PROPERTY OF TAYLOR CONSTRUCTION PLANT LTD. AND MUST NOT BE COPIED, REPRODUCED OR DISCLOSED EXCEPT AS AUTHORIZED IN WRITING BY TAYLOR CONSTRUCTION PLANT LTD. © 2008

THIRD ANGLE PROJECTION

TAYLOR CONSTRUCTION PLANT LTD. RESERVE THE RIGHT TO CHANGE PRODUCTS & SPECIFICATIONS WITHOUT PRIOR NOTICE.

DWG No. TCP-4000-01 SA



NOTE POSN OF TCP-4003-01
RELATIVE TO MACHINE FRONT

ENSURE THAT THESE 4 FACES
ARE LEVEL & PARALLEL TO EACH OTHER,
BEFORE SETTING VERTICAL SUPPORTS @ 90°

USE BLACK SILICON SEALER AROUND HOLES ON THE
INTERNAL FACES OF THE BASE AND THE VERTICAL SUPPORTS
ALSO SEAL ROUND SCREWS INTERNALLY AND EXTERNALLY
TO PRODUCE A WATERTIGHT UNIT.
SEAL ROUND INSIDE EDGE OF BASE AND VERTICAL LEG (SEE FIG.1)
BEFORE TIGHTENING LEGS IN POSITION.
SEAL LOWER JOINS ROUND THE PANEL RECESSES.

HEADS OF BOLTS ON THE OUTSIDE
OF THE ASSEMBLY

ENSURE THAT A Ø3 MINIMUM BEAD
OF SILICON IS INJECTED BETWEEN
BUND AND VERTICAL LEG ALL ROUND,
PRIOR TO CLOSING THE JOIN, TO
GIVE A WATER TIGHT JOIN.
CLEAN OFF ANY SURPLUS TO
LEAVE A 3mm RADIUS EDGE.

UNCONTROLLED DOCUMENT
CHECK FOR AMENDMENTS BEFORE USE

ITEM	DRG No.	PART/KIT No.	DESCRIPTION	QTY
1	TCP-4001	51-4110 (K)	BUNDED BASE TANK ASSY	1
2	TCP-4003-01	51-4110 (K)	VERT SUPPORT MEMBER EXHAUST	1
3	TCP-4003-02	51-4110 (K)	VERT SUPPORT MEMBER PLAIN	3
F1		01-0005	M8 x 20 HEX SETSCREW	16
F2		01-0007	M8 NYLOC NUT	16
F3		02-0011	M8 WASHER	32

ISS		B		C		D		E		F		G		H	
ISS	DESCRIPTION	CHKD	DATE	MATL.	AS PIECE PARTS	FINISH	CLEAN & DEBURR	AS PIECE PARTS	DIMENSIONS IN SCALE	TOL'S: GENERAL	HOLE CTRS/POSNS	HOLE Ø	ANGLES	TITLE:	DRN
C	SEE DCA 00603	03/11							1:10	±0.25	±0.2	H8	±0.5°	MAIN FRAME ASSY, STAGE 1 ECOLITE P	CHKD
B	INITIAL ISSUE	12/09												DWG No. TCP-4000-01 SA	DATE
														Sht. 1 of 6	18.12.2008
														SA-4000-01	
														STK No.	

TAYLOR CONSTRUCTION PLANT LTD.
QUAYSIDE PARK, BATES ROAD,
MALDON, ESSEX, CM8 5FA
TEL: +44 (0)1627 750441 EXT 046880
WWW.TCP.EU.COM

TITLE: MAIN FRAME ASSY, STAGE 1
ECOLITE P

DRN GAN
CHKD
APPD
DATE

DWG No. TCP-4000-01 SA Sht. 1 of 6

STK No. SA-4000-01

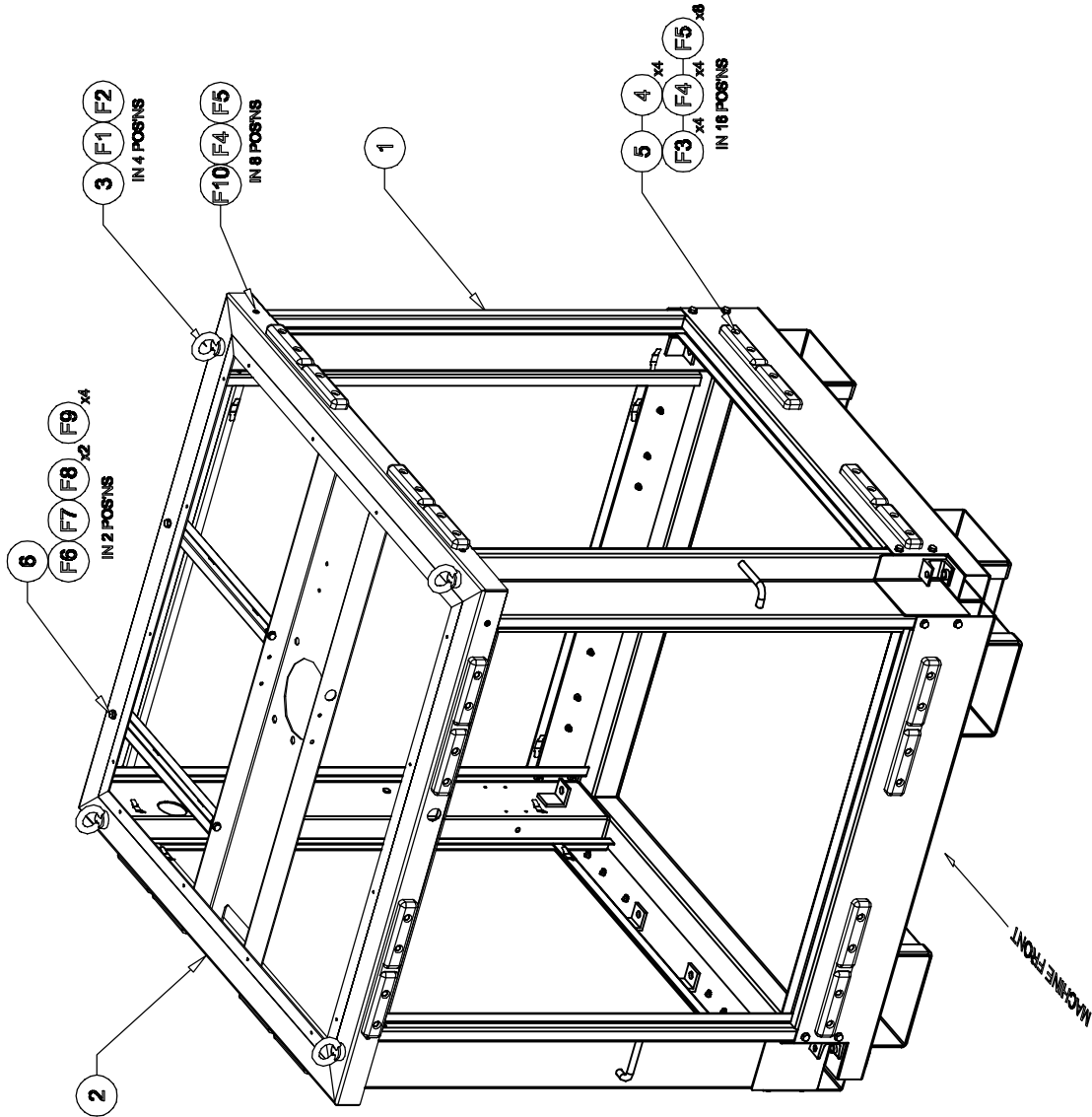
DATE 18.12.2008

THIS DRAWING IS THE PROPERTY OF TAYLOR CONSTRUCTION PLANT LTD. AND MUST NOT BE COPIED, REPRODUCED OR DISCLOSED EXCEPT AS AUTHORIZED IN WRITING BY TAYLOR CONSTRUCTION PLANT LTD. © 2008

THIRD ANGLE PROJECTION

TAYLOR CONSTRUCTION PLANT LTD. RESERVE THE RIGHT TO CHANGE PRODUCTS & SPECIFICATIONS WITHOUT PRIOR NOTICE.

DWG No. TCP-4000-01 SA



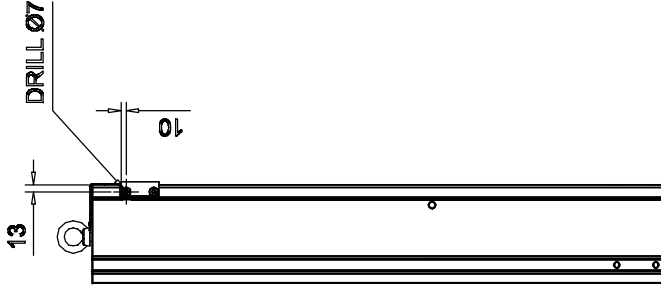
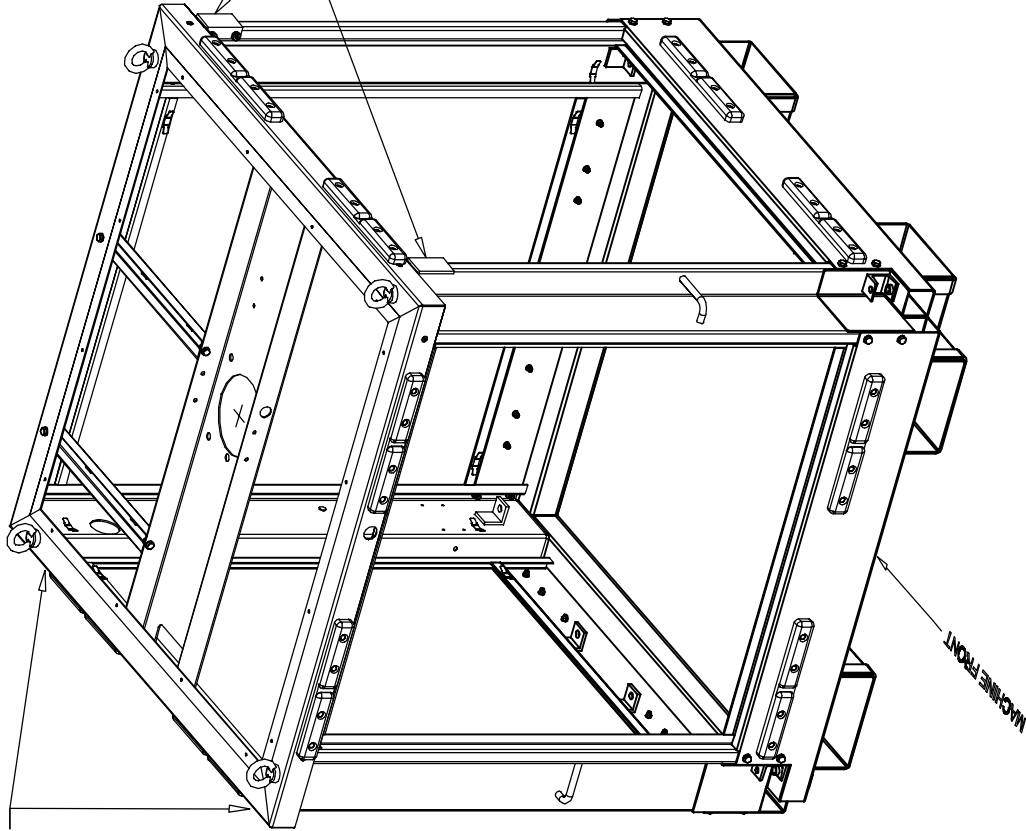
ITEM	DRG No.	PART/KIT No.	DESCRIPTION	QTY
1	TCP-4000 SA SH1.1		MAINFRAME ASSY - STAGE 1	1
2	TCP-4006	51-4110 (K)	TOP FRAME ASSY	1
3	TCP-4108	03-4108	M16 EYE BOLT	4
4	TCP-4101	51-4101	SPACER, BUFFER MOUNT	84
5	TCP-4109	30-0138	BUFFER, FRAME PROTECTOR	16
6	TCP-4008	51-4110 (K)	EXHAUST HANGER RAIL	2
F1		01-0029	M16 NYLOC NUT	4
F2		02-0025	M16 WASHER	4
F3		01-0040	M6 x 25 HEX SETSCREW	84
F4		01-0017	M6 NYLOC NUT	72
F5		02-0004	M6 WASHER	136
F6		01-0209	M8 x 40 HEX SETSCREW	2
F7		01-0005	M8 x 20 HEX SETSCREW	2
F8		01-0007	M8 NYLOC NUT	4
F9		02-0011	M8 WASHER	8
F10		01-0080	M6 x 16 SKT CSK SCREW	8

UNCONTROLLED DOCUMENT
CHECK FOR AMENDMENTS BEFORE USE

ISS		B		A		C		D		E		F		G		H	
ISS	DESCRIPTION	CHKD	DATE	FINISH	CLEAN & DEBURR	MATL.	AS PIECE PARTS	DIMENSIONS IN		TAYLOR CONSTRUCTION PLANT LTD.		TITLE:		DRN	GAN	CHKD	DATE
B	INITIAL ISSUE		12/09		AS PIECE PARTS		AS PIECE PARTS	mm	1:10	TAYLOR CONSTRUCTION PLANT LTD.		MAIN FRAME ASSY, STAGE 2					
								SCALE	GENERAL	CLAYBIDE PARK, BATES ROAD,		ECOLITE P					
								TOLS	±0.25	MALDON, ESSEX, CB8 8FA		SA-4000-01					
								HOLE Ø	±0.2	TEL: +44 (0)1627 753444 (EXT 840880)		Sht. 2 of 8					
								ANGLES	±0.5°	WWW.TCP.EU.COM		SA-4000-01					
												Sht. 2 of 8					22.12.2008

THIRD ANGLE PROJECTION

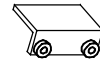
DRILL HINGE PIN HOLES,
USING DRILLING JIG



IF VERTICAL MEMBERS HAVE NOT BEEN PRE-DRILLED, USE DRILL JIG TCP-4069 TO DRILL DOOR PANEL HINGE PIN HOLES IN 2 POS.NS THIS SIDE.

PLEASE NOTE ORIENTAION TO TOP FRAME.

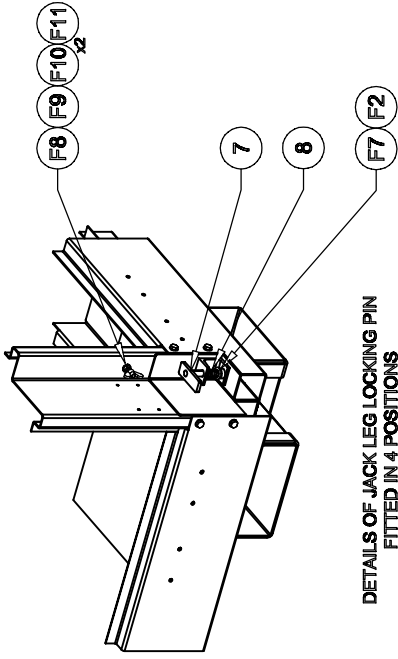
SEE FIG.1 SHOWING EXACT POS.N OF JIG. AFTER CLAMPING IN THE CORRECT POS.N, THE TOP MAY BE RAISED IF NECESSARY TO GIVE EASIER ACCESS FOR DRILLING.



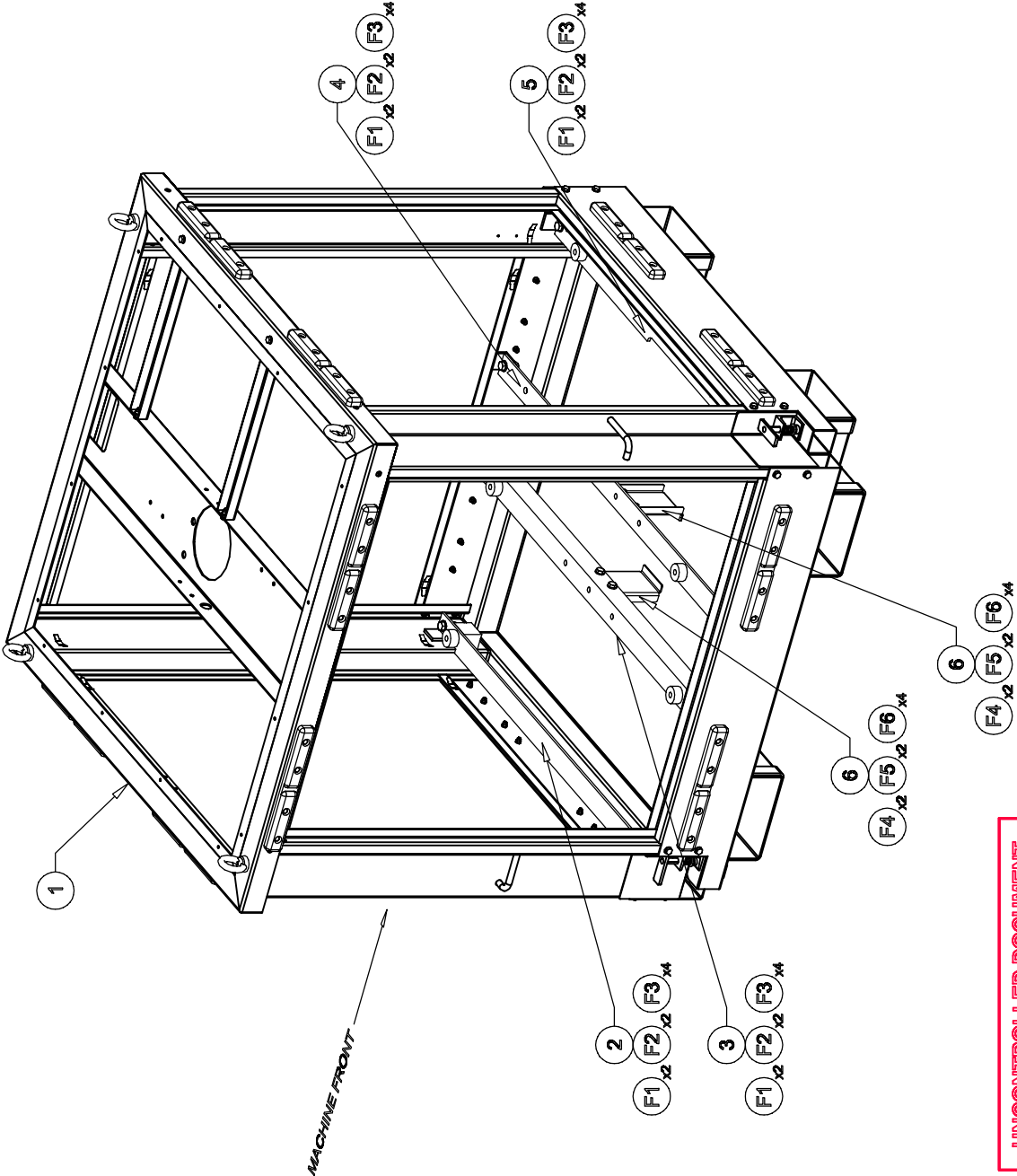
DRILL JIG TCP-4069

UNCONTROLLED DOCUMENT
CHECK FOR AMENDMENTS BEFORE USE

DRN		GAN	
CHKD		APPD	
DATE		22.12.2008	
TITLE: MAIN FRAME ASSY, STAGE 3			
ECOLITE P			
DWG No. TCP-4000-01 SA		Sht. 3 of 8	
BTK No.		SA-4000-01	
TAYLOR CONSTRUCTION PLANT LTD.		CLAYBIDE PARK, BATES ROAD, MALDON, ESSEX, CM8 5FA	
TEL: +44(0)1621 809777 FAX: +44(0)1621 843980		WWW.TCP.EU.COM	
DIMENSIONS IN		mm	
SCALE		1:10	
TOL'S: GENERAL		±0.25	
HOLE CTR&POSNS		±0.2	
HOLE Ø		H8	
ANGLES		±0.5°	
MATERIAL		AS PIECE PARTS	
FINISH		CLEAN & DEBURR AS PIECE PARTS	
ISS		01/10	
DESCRIPTION		CHKD DATE	
A	B	C	D
E	F	G	H



DETAILS OF JACK LEG LOCKING PIN
FITTED IN 4 POSITIONS
EARTH SPIKE STRAP ANCHOR
POINT



MACHINE FRONT

ITEM	DRG No.	PART/KIT No.	DESCRIPTION	QTY
1	TCP-4000 SA SH.3		MAINFRAME ASSY - STAGE 3	1
2	TCP-4014-01	51-4110 (K)	TANK SUPPORT RAIL	1
3	TCP-4014-02	51-4110 (K)	TANK SUPPORT RAIL	1
4	TCP-4015-02	51-4110 (K)	ENGINE SUPPORT RAIL	1
5	TCP-4015-01	51-4110 (K)	ENGINE SUPPORT RAIL	1
6	TCP-4017	51-4110 (K)	BRACE . MAST SUPPORT	2
7	TCP-4018	51-4018 (K)	LOCKING PLUNGER, JACK LEG	4
8		40-0120	EXTENSION SPRING	4
F1		01-0183	M12 x 35 HEX SETSCREW	8
F2		02-0021	M12 WASHER	16
F3		01-0038	M12 NYLOC NUT	8
F4		01-0010	M10 x 25 HEX SETSCREW	4
F5		02-0002	M10 WASHER	8
F6		01-0006	M10 NYLOC NUT	4
F7		02-0055	Ø2 x 20 SPRING PIN	4
F8		01-0225	M8 x 35 HEX HD SETSCREW	1
F9		01-0007	M8 NYLOC NUT	1
F10		02-0011	M8 WASHER	2
F11		02-0034	M8 WING NUT	1

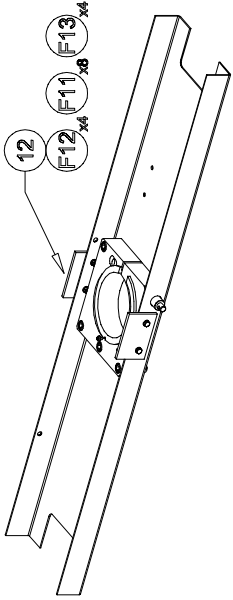
UNCONTROLLED DOCUMENT
CHECK FOR AMENDMENTS BEFORE USE

TAYLOR CONSTRUCTION PLANT LTD. QUAYSIDE PARK, BATES ROAD, MALLON, ESSEX, CH8 8FA TEL: +44 (0)1777 753441 EXT 043880 WWW.TCP.EU.COM		TITLE: MAIN FRAME ASSY, STAGE 4 ECOLITE P		DRN	GAN
DIMENSIONS IN SCALE 1:10 TOL'S: GENERAL ±0.25 HOLE CTRS POSNS ±0.2 HOLE Ø H8 ANGLES ±0.5°		DWG No. TCP-4000-01 SA		CHKD	APPD
MATERIALS AS PIECE PARTS FINISH CLEAN & DEBURR AS PIECE PARTS		Sht. 4 of 6		DATE	23.12.2008
ISS		STK No. SA-4000-01			
C SEE DCA 00634					
B INITIAL ISSUE					
DESCRIPTION					
CHKD DATE					

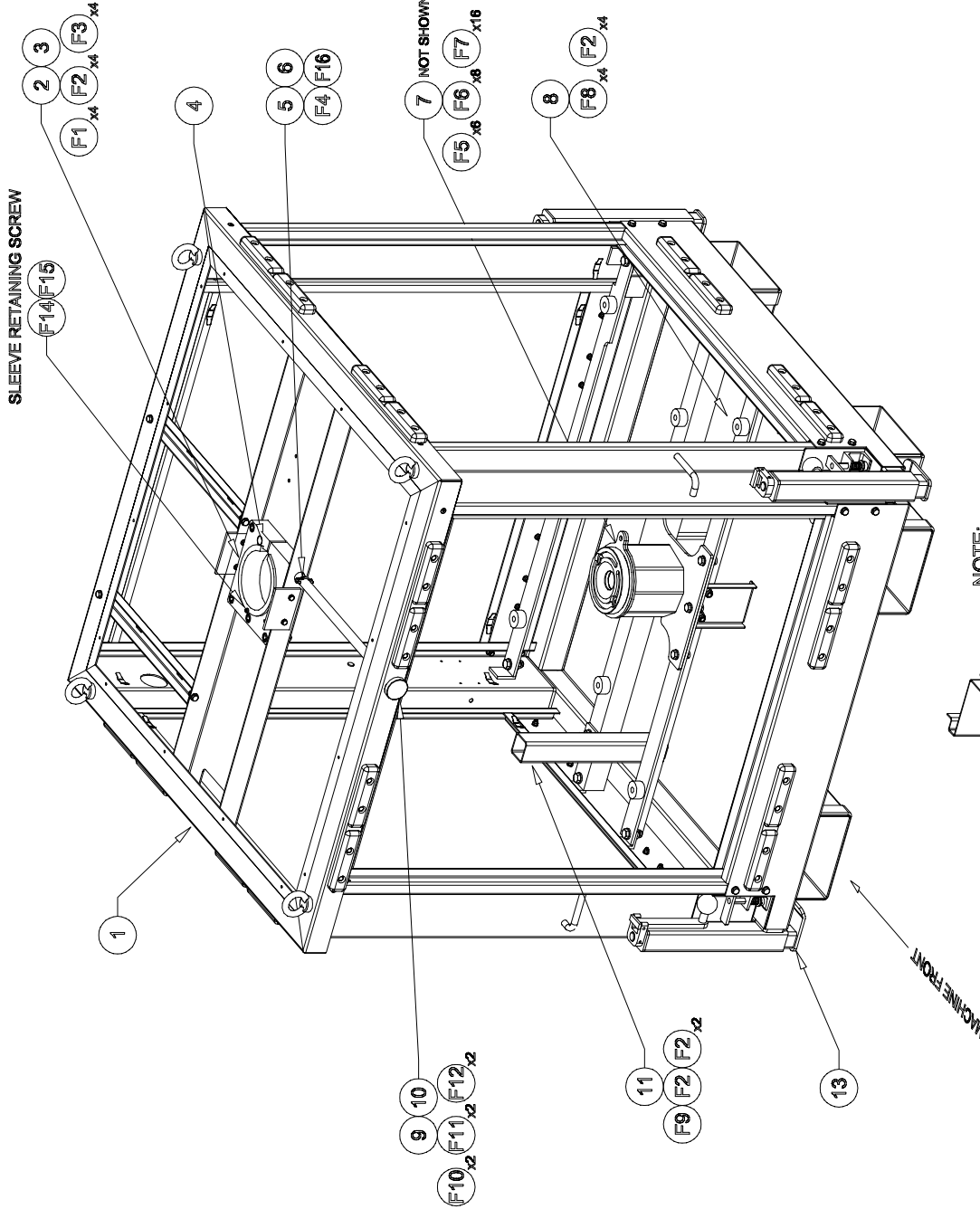
THIS DRAWING IS THE PROPERTY OF TAYLOR CONSTRUCTION PLANT LTD. AND MUST NOT BE COPIED, REPRODUCED OR DISCLOSED EXCEPT AS AUTHORISED IN WRITING BY TAYLOR CONSTRUCTION PLANT LTD. © 2008

THIRD ANGLE PROJECTION

TAYLOR CONSTRUCTION PLANT LTD. RESERVE THE RIGHT TO CHANGE PRODUCTS & SPECIFICATIONS WITHOUT PRIOR NOTICE.



DWG No. TCP-4000-01 SA



NOTE:
IF FRONT & REAR VERTICAL UPRIGHTS HAVE UN-USED HINGE PIN HOLES, THESE MUST BE BLANKED OFF USING THE FOLLOWING:
01-0284 M4 x 12 CSK SKT HD SCREW QTY 4
01-0019 M4 NYLOC NUT QTY 4
02-0028 M4 WASHER QTY 4

UNCONTROLLED DOCUMENT
CHECK FOR AMENDMENTS BEFORE USE

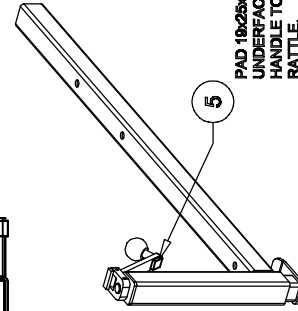
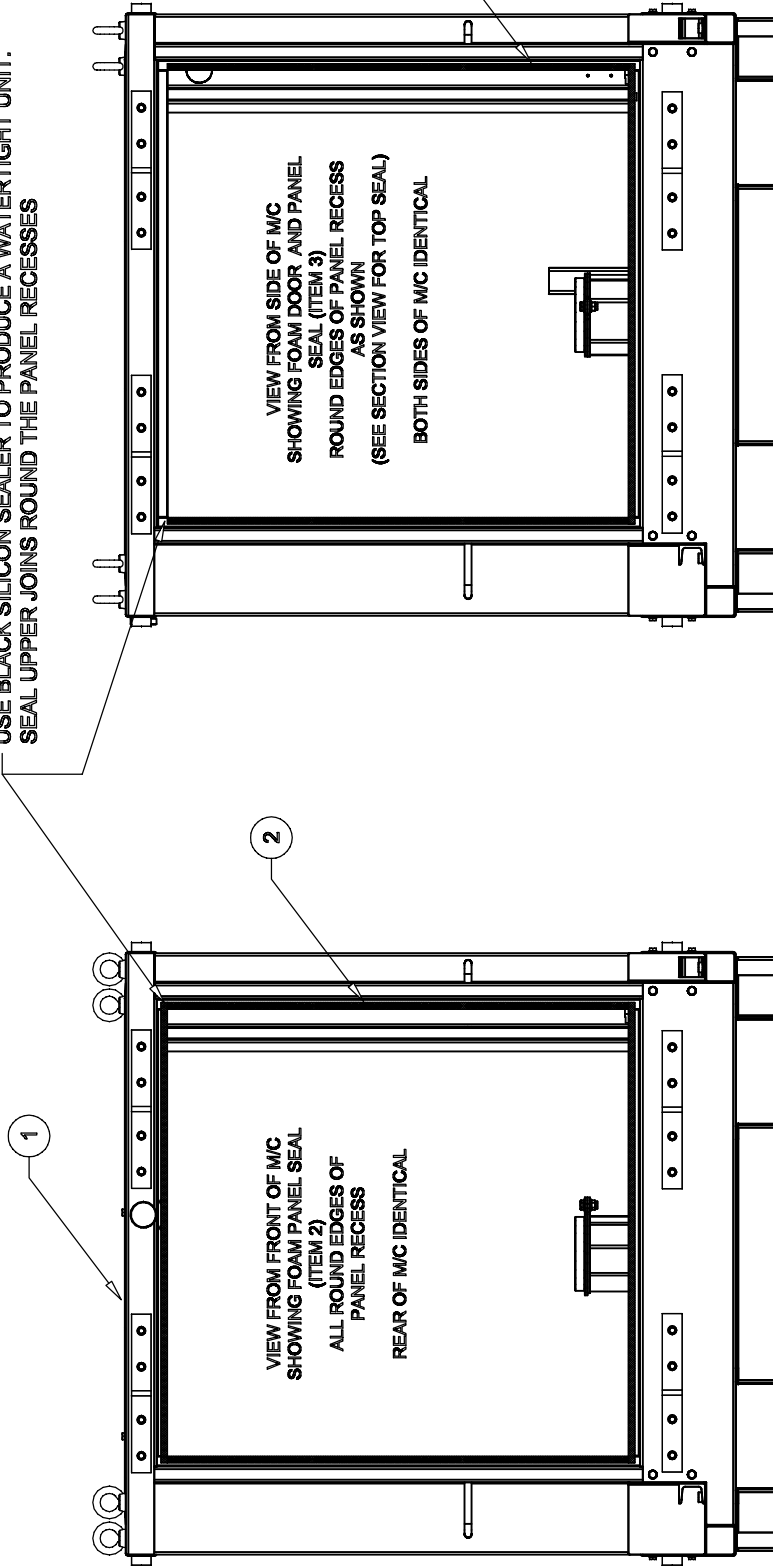
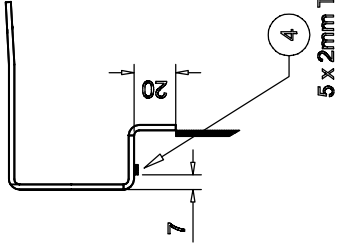
ITEM	DRG No.	PART/KIT No.	DESCRIPTION	QTY
1	TCP-4000 SA SHL.4		MAINFRAME ASSY - STAGE 4	1
2	TCP-4020	51-4020	TOP MAST CLAMP	1
3	TCP-4156	51-4156	SPLIT SLEEVE	1
4	TCP-1582	51-0301	CROSS NUT, MAST CLAMP	1
5	TCP-4021	51-4021	PINCH BOLT, MAST CLAMP	1
6	TCP-4022	51-4022	EXTENSION SHAFT, PINCH BOLT	1
7	TCP-4046-01 SA	SA-4046-01	LOWER MAST SUPPORT ASSY	1
8	TCP-4088	51-4110 (K)	SUPPORT PLATE, TANKS	1
9	TCP-4023	51-4110 (K)	SUPPORT, EXTENSION SHAFT	1
10		03-0224	GROMMET, RUBBER	2
11	TCP-4133	51-4133	STORAGE POCKET, EARTH SPIKE	1
12	TCP-4083	51-4083	COVER SUPPORT, UPPER	2
13	TCP-4019SA	50-4019	JACK LEG ASSY	4
F1		01-0223	M12 x 50 SKT HEAD SCREW	4
F2		02-0021	M12 WASHER	10
F3		01-0038	M12 NYLOC NUT	5
F4		49-045	SPRING COTTER PIN, Ø3.5	1
F5		01-0042	M10 x 30 HEX SETSCREW	6
F6		02-0002	M10 WASHER	12
F7		01-0006	M10 NYLOC NUT	6
F8		01-0091	M12 x 25 HEX SETSCREW	4
F9		01-0183	M12 x 35 HEX SETSCREW	1
F10		01-0090	M6 x 16 SKT CSK SCREW	2
F11		02-0004	M6 WASHER	10
F12		01-0017	M6 NYLOC NUT	6
F13		01-0002	M6 x 20 HEX SETSCREW	4
F14		01-0256	Ø5 x 14 POZI PAN PLAS-TECH 30	2
F15		02-0013	M5 WASHER	2
F16		02-0061	Ø5 x 35 LIGHT SPRING PIN ST/ST	1

ISS	DATE	DESCRIPTION	CHKD	DATE
D	05/11	SEE DCA 00614		
C	08/10	FINISH CLEAN & DEBURR		
B	07/10	INITIAL ISSUE		

MATERIALS		DIMENSIONS IN		TAYLOR CONSTRUCTION PLANT LTD.	
MATL.	AS PIECE PARTS	SCALE	mm	TITLE: MAIN FRAME ASSY, STAGE 5	
		1:10		ECOLITE P	
		TOL'S: GENERAL	+0.25	DRN GAN	
		HOLE CTRS/POIS	+0.2	CHKD	
		HOLE Ø	H8	APPD	
		ANGLES	+0.5°	DATE	
				DWG No. TCP-4000-01 SA	
				Sht. 5 of 6	
				STK No. SA-4000-01	
				DATE 02.02.2009	

A B C D E F G H

USE BLACK SILICON SEALER TO PRODUCE A WATERTIGHT UNIT.
SEAL UPPER JOINS ROUND THE PANEL RECESSES

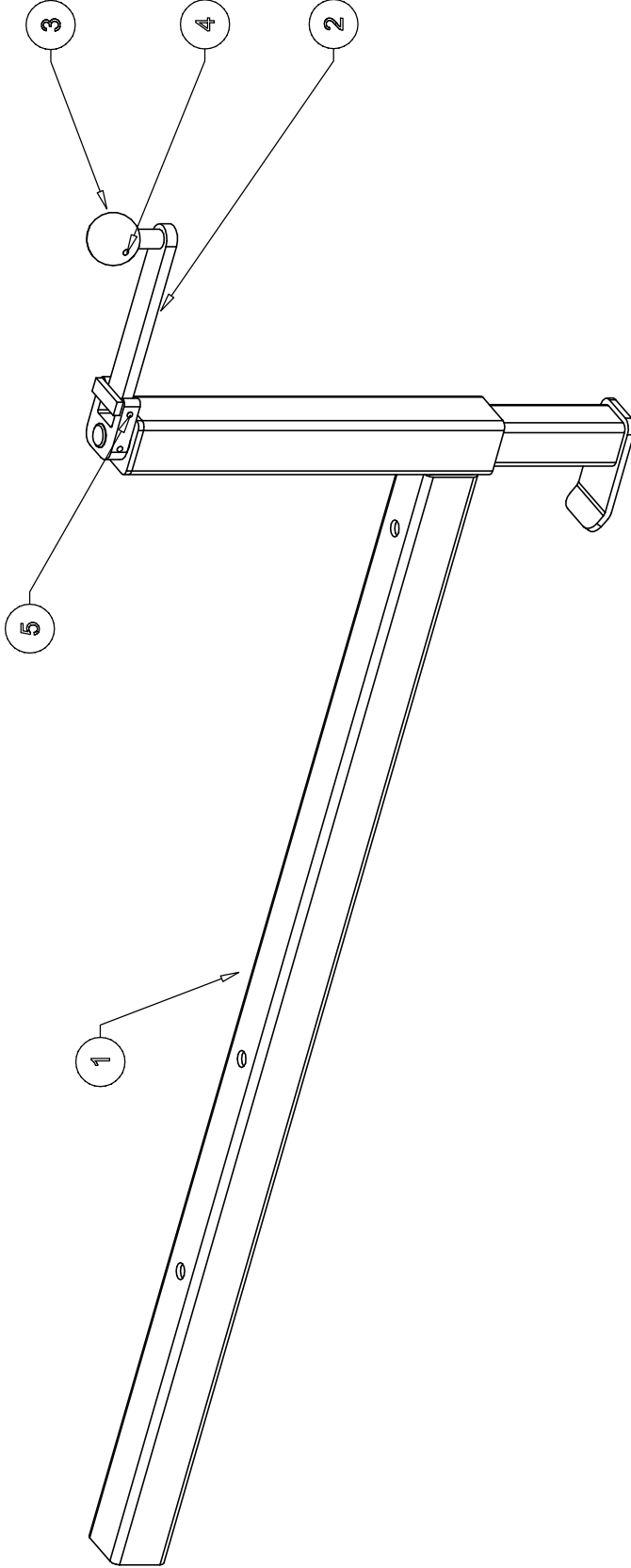


ITEM	DRG No.	PART/KIT No.	DESCRIPTION	QTY
1	TCP-4000 SA Sht.5		MAINFRAME ASSY - STAGE 5	1
2		30-0137	SEAL 12x3 (FRONT & REAR)	7080 mm
3		30-0137	SEAL 12x3 (LEFT & RIGHT)	5310 mm
4		30-0146	SEAL 5x2 (UPPER RETURN)	900 mm
5		30-0051	FOAM PAD, SELF-ADHESIVE	100 mm

UNCONTROLLED DOCUMENT
CHECK FOR AMENDMENTS BEFORE USE

DIMENSIONS IN		MATERIALS		FINISH		DATE		DESCRIPTION		CHECKED		DATE	
SCALE	TOL'S	GENERAL	POSITIONS	HOLE Ø	H18	ANGLES	AS PIECE PARTS	CLEAN & DEBURR	AS PIECE PARTS	DATE	DATE	DATE	DATE
1:10													
±0.25													
±0.2													
H8													
±0.5°													

TAYLOR CONSTRUCTION PLANT LTD.		TITLE: MAIN FRAME ASSY, STAGE 6		DRN	GAN
QUAYSIDE PARK, BATES ROAD, MALDON, ESSEX, CM8 8FA		ECOLITE P		CHKD	
TEL: +44 (0)1627 750441 EXT 643880		DWG No. TCP-4000-01 SA Sht. 6 of 6		APPD	
WWW.TCP.EU.COM		STK No. SA-4000-01		DATE	23.02.2009



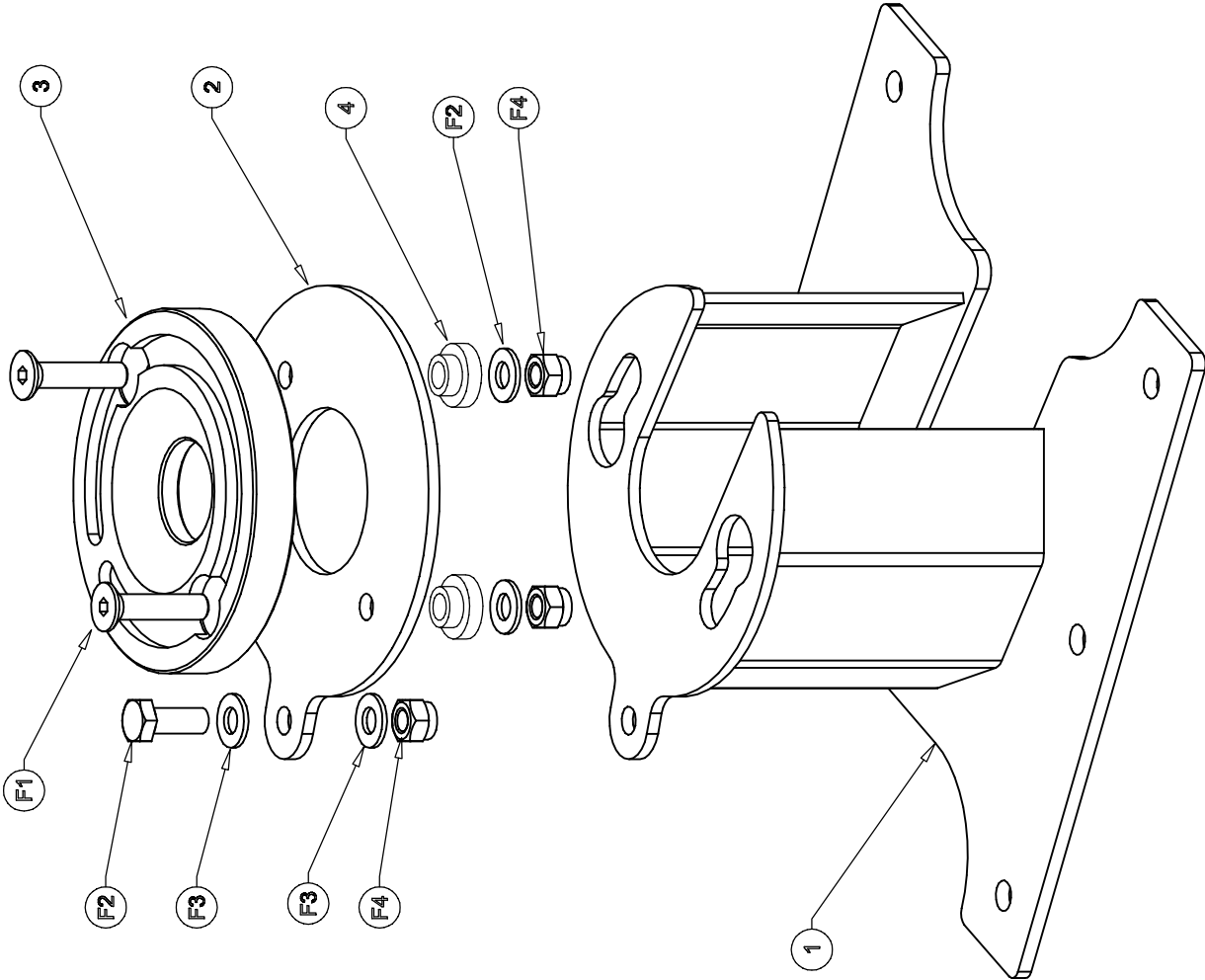
ITEM	DRG No.	PART/Kit No.	DESCRIPTION	QTY
1	TCP-4019 SA	50-4019	JACK LEG - LOW PROFILE COMPLETE ASSY	1
SPARES ONLY				
2	TCP-4019-02	50-4019-02	HANDLE ONLY	1
3	TCP-4019-03	50-4019-03	BALL ONLY	1
4			Ø5 x 15 Lng ST/ST SPRING PIN	1
5		02-0158	Ø5 x 45 Lng ST/ST SPRING PIN	1

N.B. ITEM 3 & 4 SUPPLIED AS 50-4019-03

UNCONTROLLED DOCUMENT
CHECK FOR AMENDMENTS BEFORE USE

ISS		A		B		C		D		E		F		G		H		
INITIAL	ISSUE	DESCRIPTION	CHKD	DATE	MATL.	SEE PIECE PARTS	FINISH.	SEE PIECE PARTS	DIMENSIONS IN SCALE	TOL'S: GENERAL	HOLE CTRS/POSS	HOLE Ø	ANGLES	TITLE:	DWG No.	SKT No.	DATE	
						SEE PIECE PARTS		SEE PIECE PARTS	mm 1:4	±0.25	±0.2	±0.2	±0.26°	TAYLOR CONSTRUCTION PLANT LTD. QUAYSIDE PARK, BATES ROAD, MALDON, ESSEX, CH10 8FA TEL: +44 (0)1627 753441 EXT 848880 WWW.TCP.EU.COM	50-4019 SA	Sht. 1 of 1	50-4019	28.01.2013
									TITLE: JACK LEG - LOW PROFILE ECOLITE-P									

THIRD ANGLE PROJECTION



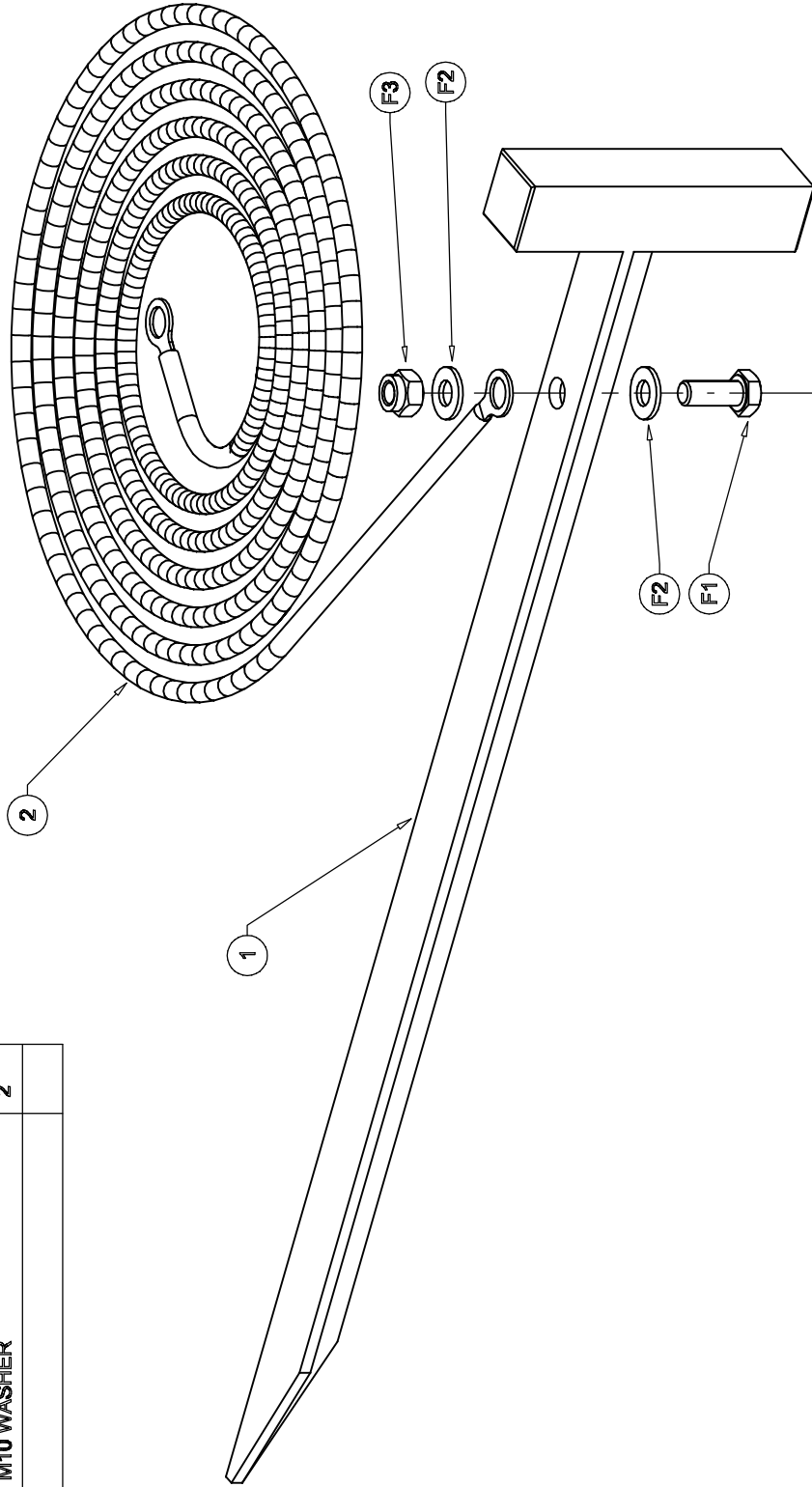
UNCONTROLLED DOCUMENT
CHECK FOR AMENDMENTS BEFORE USE

ITEM	DRG No.	PART/KIT No.	DESCRIPTION	QTY
1	TCP-4042	51-4111 (K)	BASE MAIN MAST SUPPORT	1
2	TCP-4044-02	51-4111 (K)	MOUNT PLATFORM SUPPORT	1
3	TCP-1583	51-0299	MAST MOUNT	1
4	TCP-4087	51-4111 (K)	RETAINING TEE	2
F1		01-0224	M10 x 40 SKT CSK HD SCREW	2
F2		01-0010	M10 x 25 HEX SET SCREW	1
F3		02-0002	M10 WASHER	4
F4		01-0006	M10 NYLOC NUT	3

MATERIAL		DIMENSIONS IN		TAYLOR CONSTRUCTION PLANT LTD.		TITLE:		DRN	
SCALE	TOL'S	GENERAL	POSITIONS	QUAYSIDE PARK, BATES ROAD,	ECOLITE 'P'		CHKD	GAN	
1:2				MALDON, ESSEX, CH8 8FA					
				TEL: +44 (0)1627 753441 EXT 843880					
				WWW.TCP.EU.COM					
MATERIAL: SEE PIECE PARTS		FINISH: CLEAN & DEBURR		DWG No. TCP-4046-01 SA		Sht. 1 of 1		SA-4046-01	
B SEE DCA 00619		05/11		DATE		DATE		DATE	
A INITIAL ISSUE		12/08		DATE		DATE		DATE	
ISS		DESCRIPTION		DATE		DATE		DATE	

A B C D E F G H

ITEM	DRG No.	PART/Kit No.	DESCRIPTION	QTY
1	TCP-1220	HLT-1250	EARTH SPIKE (HLT-1250/MOD)	1
2	TCP-2390-02 WL	73-0037	STRAP, CHASSIS TO EARTH SPIKE	1
F1		01-0010	M10 x 25 HEX SETSCREW	1
F2		01-0006	M10 NYLOC NUT	1
F3		02-0002	M10 WASHER	2

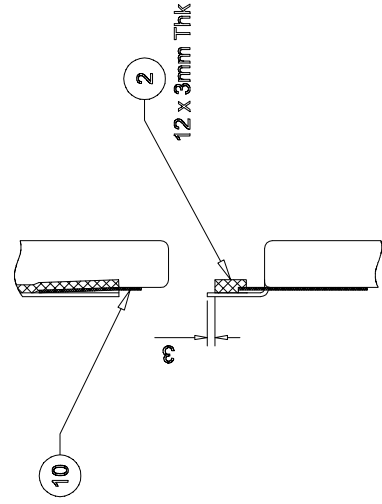


UNCONTROLLED DOCUMENT
CHECK FOR AMENDMENTS BEFORE USE

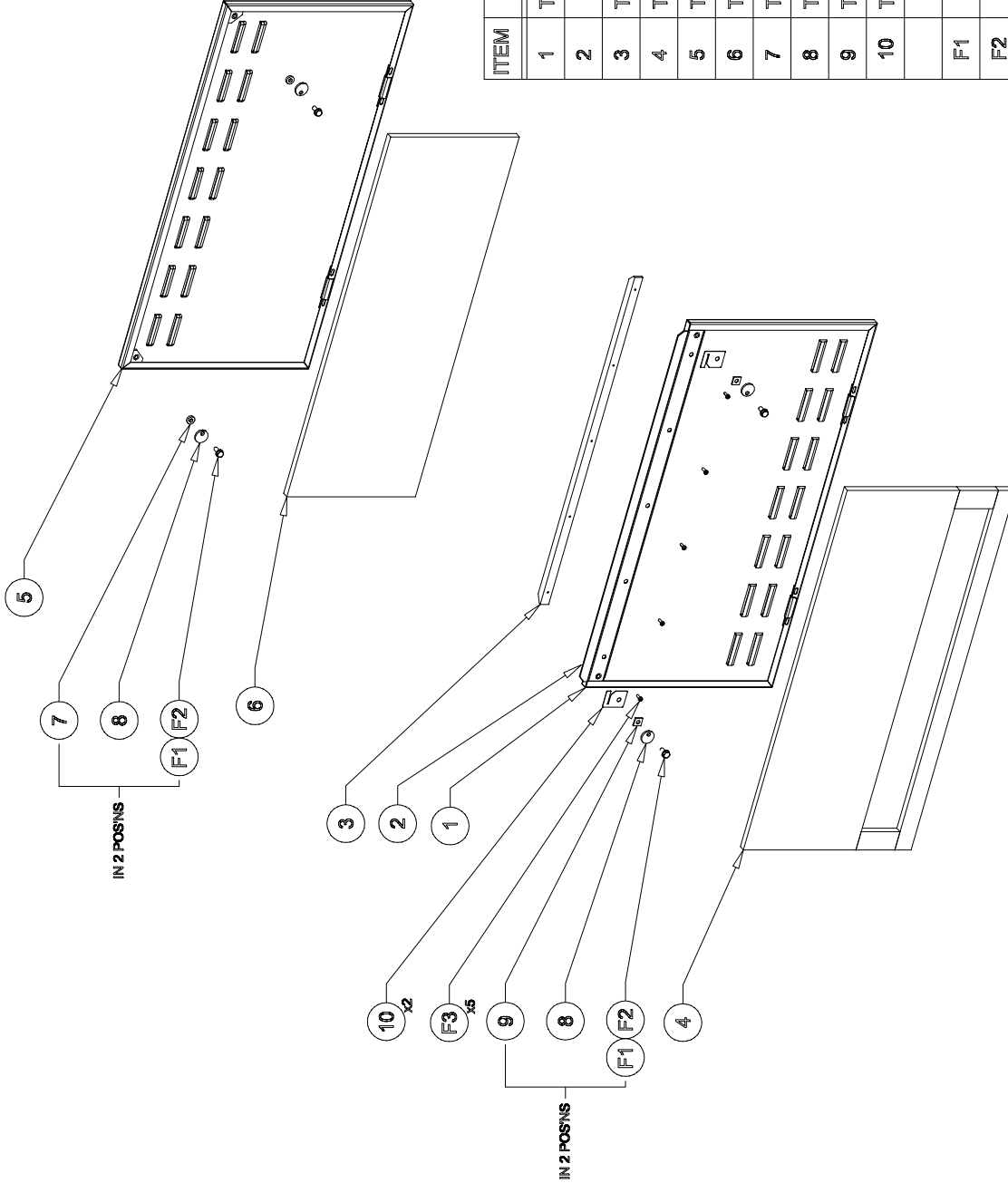
DIMENSIONS IN		TAYLOR CONSTRUCTION PLANT LTD.		TITLE: EARTH SPIKE ASSY		DRN	
SCALE	mm	QUAYSIDE PARK, BATES ROAD, MALDON, ESSEX, CM8 8FA TEL: +44 (0)1627 750441 EXT 046880 WWW.TCP.EU.COM		ECOLITE P & T		CHKD	GAN
TOLS: GENERAL	1:2					APPD	
HOLE CTRS/POSNS	+0.25					DATE	07.06.2011
HOLE Ø	+0.2			DWG No. TCP-4246 SA		Sht. 1 of 1	
ANGLES	+0.26°						
MATERIAL: SEE PIECE PARTS		FINISH: SEE PIECE PARTS					
A INITIAL ISSUE		08/11					
DESCRIPTION		CHKD					

ECOLITE-P V1
STANDARD PANELS

THIRD ANGLE PROJECTION



DETAILS SHOWING THE SEALING OF ITEM 10 TO THE UPPER EDGE OF THE LOWER PANEL. IT IS CRITICAL THAT THE 10mm WIDE FINGER LAYS AGAINST THE PANEL FACE (SET BACK). SEAL WITH CLEAR SEALER WHEN PLACED IN FINAL POSITION.



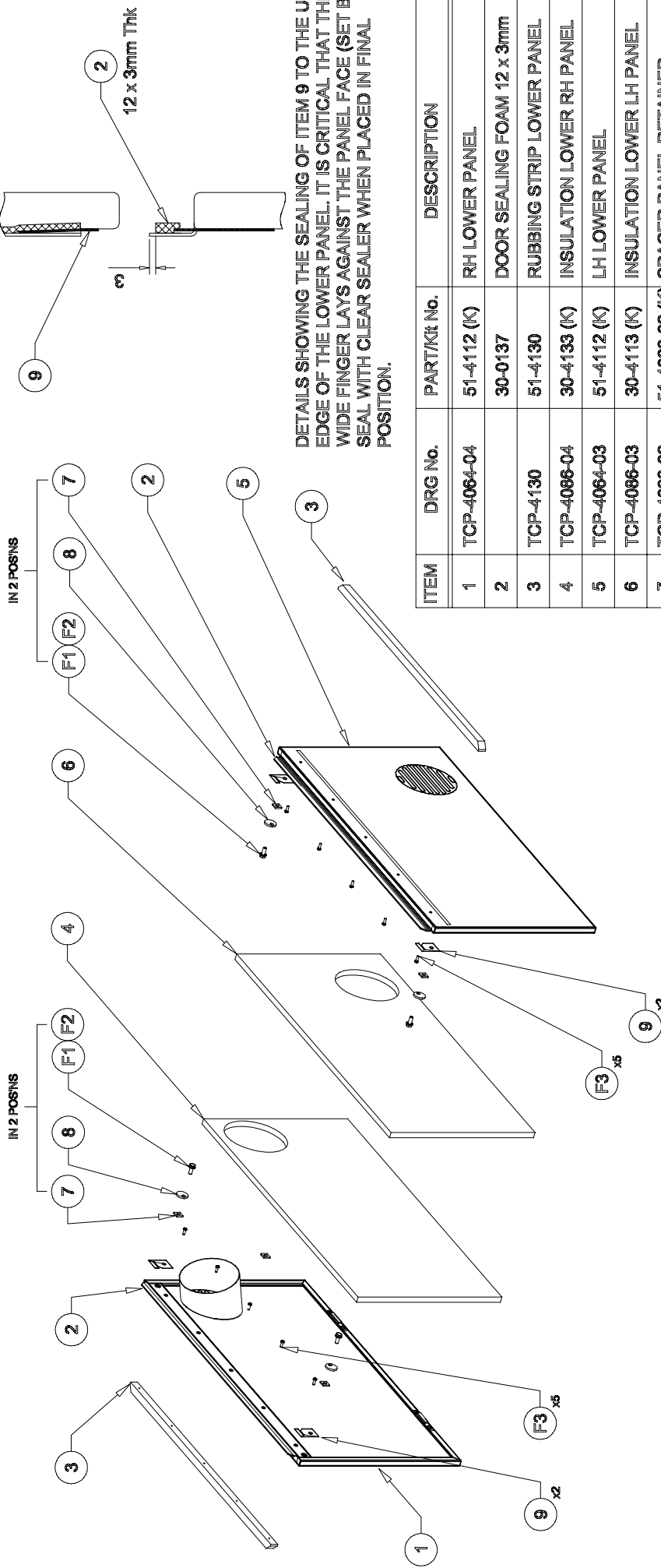
ITEM	DRG No.	PART/Kit No.	DESCRIPTION	QTY
1	TCP-4064-02	51-4112 (K)	LOWER REAR PANEL LOUVRED	1
2		30-0137	DOOR SEALING FOAM 12 x 3mm	0.9
3	TCP-4130	51-4130	RUBBING STRIP, LOWER PANEL	1
4	TCP-4086-02	30-4113 (K)	INSULATION LOWER REAR PANEL	1
5	TCP-4065	51-4112 (K)	UPPER REAR PANEL LOUVRED	1
6	TCP-4087	30-4133 (K)	INSULATION UPPER REAR PANEL	1
7	TCP-4093-01	51-4093 (K)	SPACER, PANEL RETAINER	2
8	TCP-4067-03	51-4067-03 (K)	PANEL RETAINER	4
9	TCP-4093-02	51-4093-02 (K)	SPACER, PANEL RETAINER	2
10	TCP-4252	51-4252	CORNER INFILL PLATE	2
F1		01-0051	M8 x 20 HEX SET SCREW	4
F2		02-0011	M8 WASHER	4
F3		01-0256	Ø5 x 14 POZI PAN PLAS-TECH 30	5

UNCONTROLLED DOCUMENT
CHECK FOR AMENDMENTS BEFORE USE

ISS	DATE	DESCRIPTION	CHKD	DATE
E	05/11	SEE DCA 00624		
D	03/11	SEE DCA 00605		
C	05/10	FINISH CLEAN & DEBURR		
A	03/09	AS PIECE PARTS		

MATERIALS		DIMENSIONS IN		TITLE:	
AS PIECE PARTS	SCALE 1:10	TAYLOR CONSTRUCTION PLANT LTD.	MAINFRAME PANEL ASSY, REAR		
CLEAN & DEBURR	TOL'S: GENERAL ±0.25	QUAYSIDE PARK, BATES ROAD,	ECOLITE P		
AS PIECE PARTS	HOLE CTRS POSNS ±0.2	MALDON, ESSEX, CH8 8FA	DWG No. TCP-4034-01 SA		
	HOLE Ø H8	TEL: +44(0)1627 753441 EXT 64380	Sht. 1 of 6		
	ANGLES ±0.5°	WWW.TCP.EU.COM	STK No. SA-4034-01		
			DATE 15.04.2009		

THIRD ANGLE PROJECTION

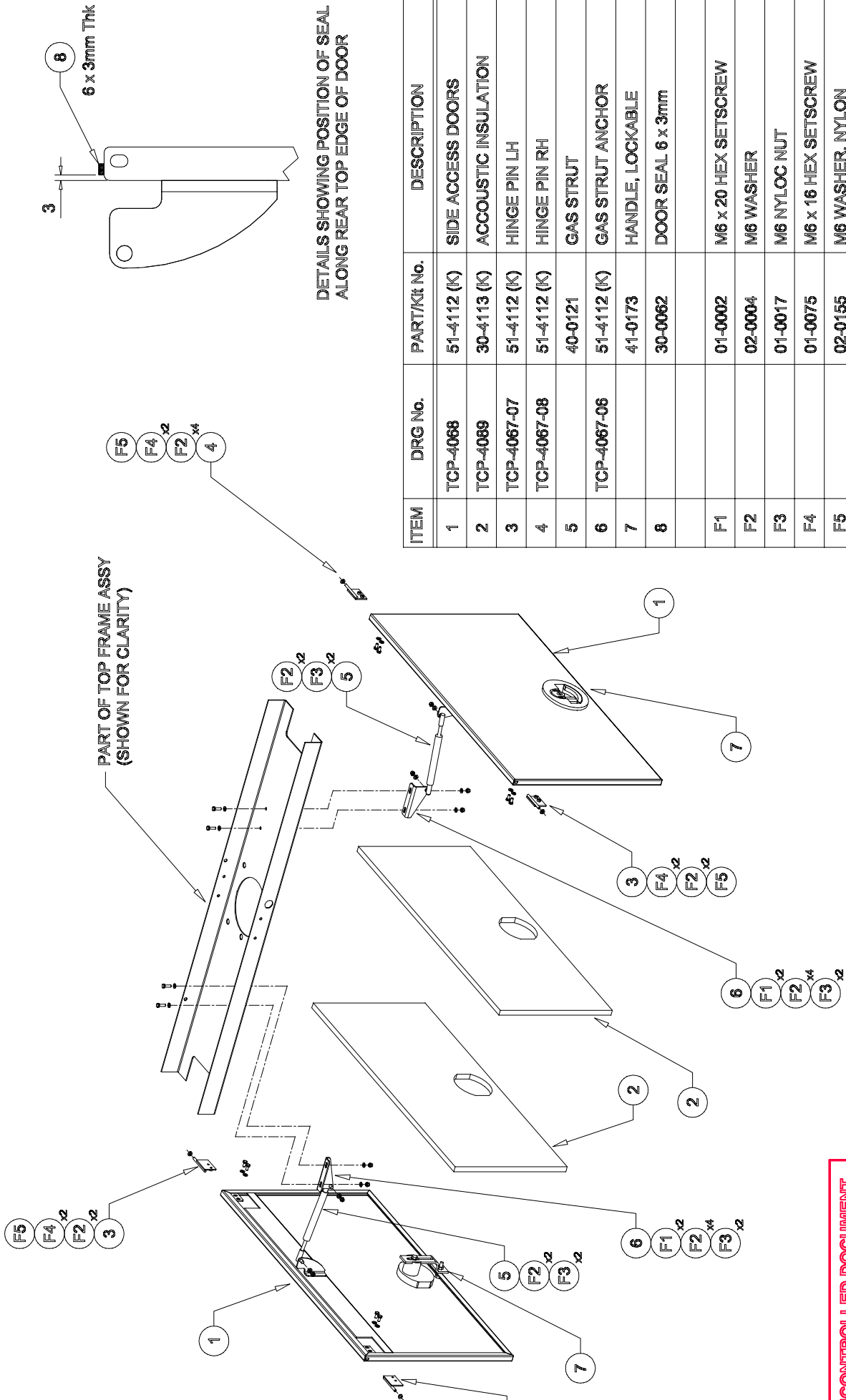


DETAILS SHOWING THE SEALING OF ITEM 9 TO THE UPPER EDGE OF THE LOWER PANEL. IT IS CRITICAL THAT THE 10mm WIDE FINGER LAYS AGAINST THE PANEL FACE (SET BACK). SEAL WITH CLEAR SEALER WHEN PLACED IN FINAL POSITION.

ITEM	DRG No.	PART/Kit No.	DESCRIPTION	QTY
1	TCP-4064-04	51-4112 (K)	RH LOWER PANEL	1
2		30-0137	DOOR SEALING FOAM 12 x 3mm	2.4
3	TCP-4130	51-4130	RUBBING STRIP LOWER PANEL	2
4	TCP-4086-04	30-4133 (K)	INSULATION LOWER RH PANEL	1
5	TCP-4064-03	51-4112 (K)	LH LOWER PANEL	1
6	TCP-4086-03	30-4113 (K)	INSULATION LOWER LH PANEL	1
7	TCP-4093-02	51-4093-02 (K)	SPACER PANEL RETAINER	4
8	TCP-4067-03	51-4067-03 (K)	PANEL RETAINER	4
9	TCP-4252	51-4252	CORNER INFILL PLATE	4
F1		01-0051	M8 x 20 HEX SETSCREW	4
F2		02-0011	M8 WASHER	4
F3		01-0256	Ø5 x 14 POZI PAN PLAS-TECH 30	10

UNCONTROLLED DOCUMENT
CHECK FOR AMENDMENTS BEFORE USE

ISS	DESCRIPTION	CHKD	DATE	MATL.	AS PIECE PARTS	FINISH	CLEAN & DEBURR	AS PIECE PARTS	DIMENSIONS IN	SCALE	TOL'S: GENERAL	HOLE CTRS POSNS	HOLE Ø	HOLE H	ANGLES	TITLE:	DRN	GAN
1	SEE DCA 00624	05/11							mm	1:10	+0.25	+0.2				MAINFRAME PANEL ASSY, LOWER SIDES	CHKD	
D	SEE DCA 00605	03/11														ECOLITE P	APPD	
C	SEE DCA 00512	05/10																
A	INITIAL ISSUE	03/09																
TAYLOR CONSTRUCTION PLANT LTD. QUAYSIDE PARK, BATES ROAD, MALDON, ESSEX, CH10 8FA TEL: +44(0)1627 753441 EXT 646880 WWW.TCP.EU.COM																		
DWG No. TCP-4034-01 SA Sht. 2 of 6 STK No. SA-4034-01																		
DATE 15.04.2009																		



DETAILS SHOWING POSITION OF SEAL ALONG REAR TOP EDGE OF DOOR

ITEM	DRG No.	PART/Kit No.	DESCRIPTION	QTY
1	TCP-4068	51-4112 (K)	SIDE ACCESS DOORS	2
2	TCP-4089	30-4113 (K)	ACCOUSTIC INSULATION	2
3	TCP-4067-07	51-4112 (K)	HINGE PIN LH	2
4	TCP-4067-08	51-4112 (K)	HINGE PIN RH	2
5		40-0121	GAS STRUT	2
6	TCP-4067-06	51-4112 (K)	GAS STRUT ANCHOR	2
7		41-0173	HANDLE, LOCKABLE	2
8		30-0062	DOOR SEAL 6 x 3mm	1.8
F1		01-0002	M6 x 20 HEX SETSCREW	4
F2		02-0004	M6 WASHER	12
F3		01-0017	M6 NYLOC NUT	24
F4		01-0075	M6 x 16 HEX SETSCREW	8
F5		02-0155	M6 WASHER, NYLON	4

UNCONTROLLED DOCUMENT
CHECK FOR AMENDMENTS BEFORE USE

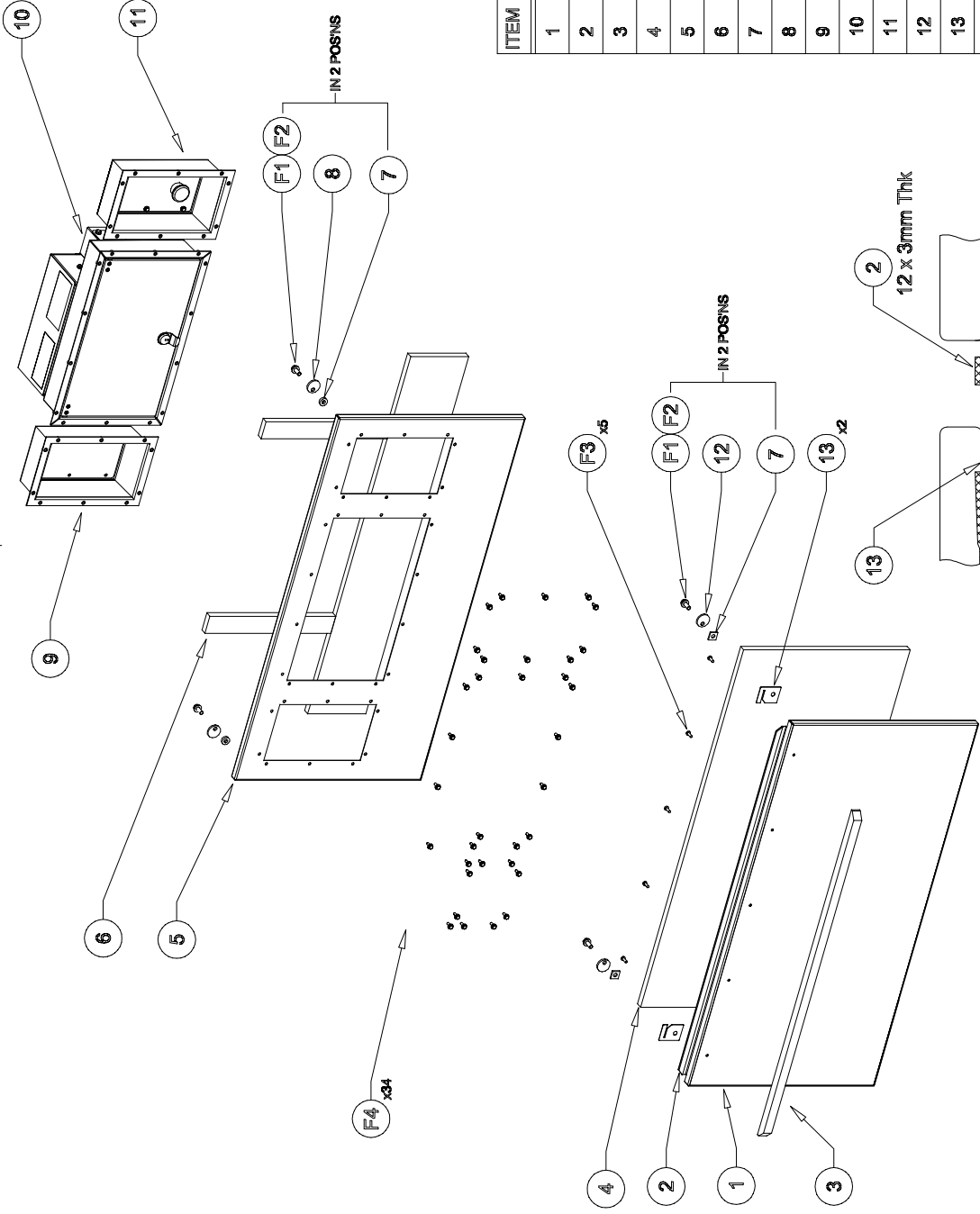
ISS	DESCRIPTION	CHKD	DATE	A	B	C	D	E	F	G	H
D	SEE DCA 00605		03/11								
C	SEE DCA 00512		09/10								
B	INITIAL ISSUE		07/10								

MATERIALS		AS PIECE PARTS	
FINISH		CLEAN & DEBURR	
AS PIECE PARTS		AS PIECE PARTS	

DIMENSIONS IN		mm	
SCALE	1:10	TOL'S: GENERAL	+0.25
HOLE CTRS/POSNS	+0.2	HOLE Ø	H8
ANGLES	+0.5°		

TAYLOR CONSTRUCTION PLANT LTD.		TITLE: MAINFRAME COVER ASSY, ACCESS DOORS	
QUAYSIDE PARK, BATES ROAD, MALDON, ESSEX, CH8 8FA		ECOLITE P	
TEL: +44(0)1627 80777 FAX: +44(0)1627 84880		STK No.	
WWW.TCP.EU.COM		SA-4034-01	
DWG No. TCP-4034-01 SA		Sht. 3 of 6	
		DATE	
		20.05.2009	

THIRD ANGLE PROJECTION



DETAILS SHOWING THE SEALING OF ITEM 13 TO THE UPPER EDGE OF THE LOWER PANEL. IT IS CRITICAL THAT THE 10MM WIDE FINGER LAYS AGAINST THE PANEL FACE (SET BACK). SEAL WITH CLEAR SEALER WHEN PLACED IN FINAL POSITION.

ASSY NOTES.
ITEMS 9, 10 AND 11 MUST BE SEALED TO INSIDE FACE OF ITEM 5. USING CLEAR SILICON SEALER.

OPTION NOTES.
ITEM 9: HAS 3 ADDITIONAL OPTIONS AVAILABLE, SEE TCP-4124-01 SA, 02 & 03.
ITEM 10: HAS 3 ADDITIONAL OPTIONS AVAILABLE, SEE TCP-4073-02 SA, 03 & 04.
ITEM 11: HAS 1 ADDITIONAL OPTION AVAILABLE, SEE TCP-4123-02 SA.

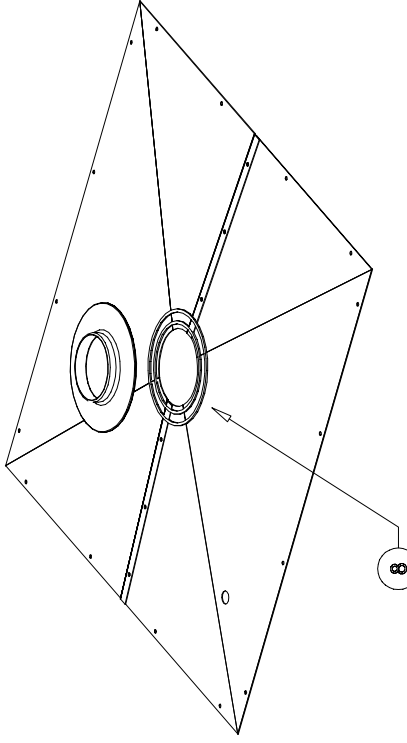
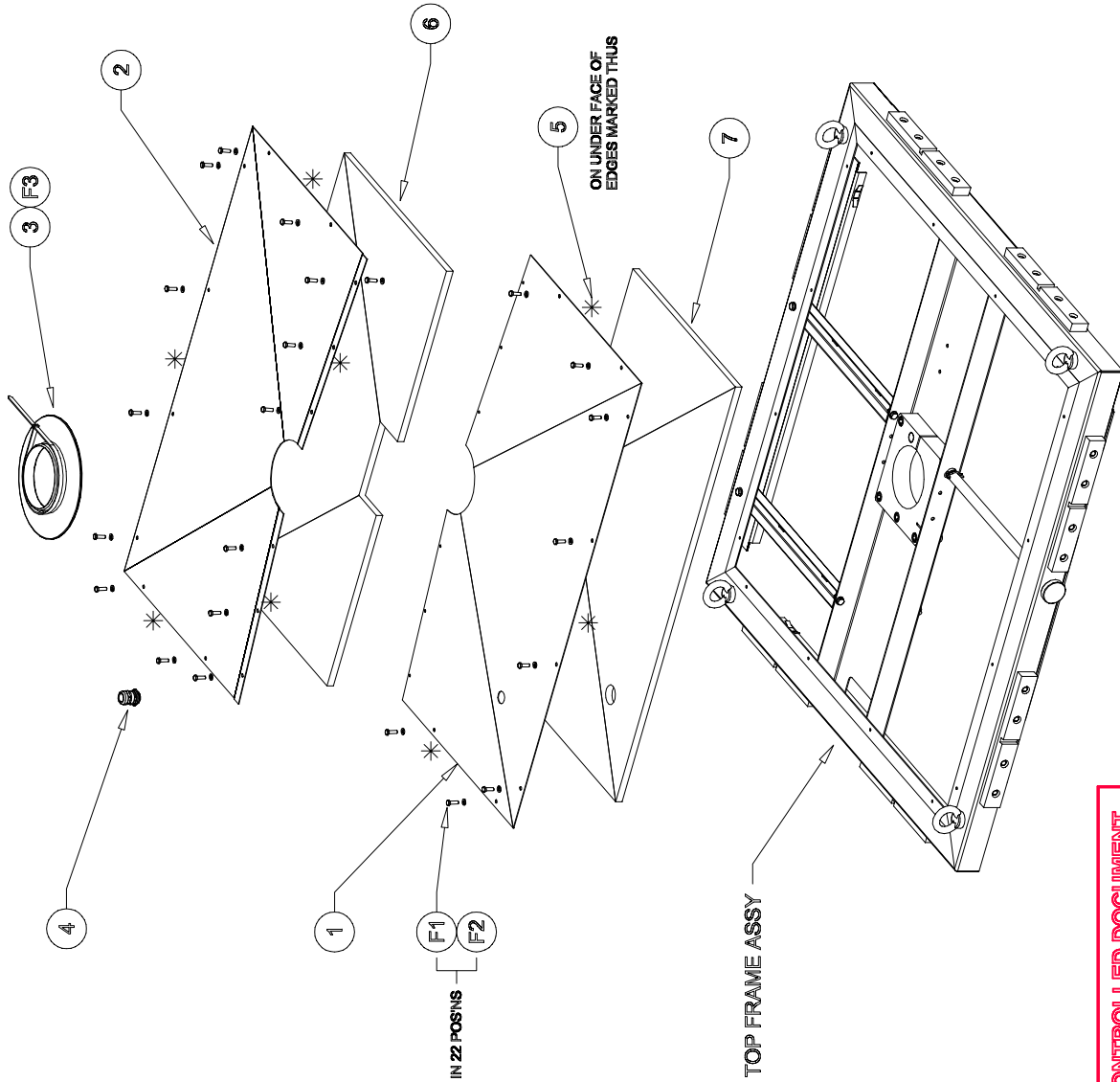
ITEM	DRG No.	PART/Kit No.	DESCRIPTION	QTY
1	TCP-4064-01	51-4112 (K)	LOWER FRONT PANEL	1
2		30-0137	DOOR SEALING FOAM 12 x 3mm	0.9
3		51-4130 (K)	RUBBING STRIP, LOWER PANEL	1
4	TCP-4088-01	30-4133 (K)	INSULATION LOWER FRONT PANEL	1
5	TCP-4066	51-4112 (K)	UPPER FRONT PANEL, SERVICES	1
6	TCP-4088	30-4133 (K)	INSULATION UPPER FRONT PANEL	1
7	TCP-4093-01	51-4093 (K)	SPACER, PANEL RETAINER	2
8	TCP-4067-03	51-4067-03 (K)	PANEL RETAINER	4
9	TCP-4124-04 SA	SA-4124-04	BLANK OUTLET MODULE	1
10	TCP-4126 SA		CONTROL MODULE ASSY, BASIC	1
11	TCP-4123-01 SA	SA-4123-01	EISTOP ASSY, BASIC OPTION	1
12	TCP-4093-02	51-4093-02 (K)	SPACER, PANEL RETAINER	2
13	TCP-4252	51-4252	CORNER INFILL PLATE	2
F1		01-0051	M8 x 20 HEX SETSCREW	4
F2		02-0011	M8 WASHER	4
F3		01-0256	Ø5 x 14 POZI PAN PLAS-TECH 30	5
F4		01-0205	M5 x 12 FLNGED HEX BOLT	34

UNCONTROLLED DOCUMENT
CHECK FOR AMENDMENTS BEFORE USE

ISS	DATE	DESCRIPTION	CHKD	DATE	DRN	GAN
D	05/11	SEE DCA 00624			CHKD	
D	03/11	SEE DCA 00605			APPD	
C	05/10	FINISH CLEAN & DEBURR AS PIECE PARTS				
B	07/10	INITIAL ISSUE				

MATERIALS		DIMENSIONS IN		TAYLOR CONSTRUCTION PLANT LTD.	
AS PIECE PARTS		mm	SCALE	QUAYSIDE PARK, BATES ROAD,	
		1:10	TOI'S: GENERAL	MALDON, ESSEX, CH8 8FA	
		+0.25	HOLE CTRS: POSNS	TEL: +44(0)1627 60777 FAX: +44(0)1627 646880	
		-0.2	HOLE Ø	WWW.TCP.EU.COM	
		H8	ANGLES		
		-0.5°			

TITLE: MAINFRAME PANEL ASSY, FRONT		DRN	GAN
ECOLITE P		CHKD	
DWG No. TCP-4034-01 SA	Sht. 4 of 6	APPD	
		DATE	28.05.2009



2 x CIRCULAR FOAM SEALS
APPROXIMATELY Ø225 AND Ø180
FIXED TO ITEMS 1 & 2

ITEM	DRG No.	PART/Kit No.	DESCRIPTION	QTY
1	TCP-4009-01	51-4112 (K)	TOP PANEL FRONT	1
2	TCP-4009-02	51-4112 (K)	TOP PANEL REAR	1
3	TCP-4041	20-4041	WEATHERPROOF MAST SEAL	1
4		28-019	CABLE GLAND DOMED Ø25	1
5		30-0141	FOAM SEAL 12.5 x 2mm	5M
6	TCP-4090-01	30-4113 (K)	ACCOUSTIC INSULATION REAR	1
7	TCP-4090-02	30-4113 (K)	ACCOUSTIC INSULATION FRONT	1
8		30-0062	FOAM SEAL 6 x 3mm	1.5M
F1		01-0075	M6 x 16 HEX SETSCREW	22
F2		02-0004	M6 WASHER	22
F3		70-0373	CABLE TIE, 550 Lng x 9	1

UNCONTROLLED DOCUMENT
CHECK FOR AMENDMENTS BEFORE USE

ISS	DESCRIPTION	CHKD	DATE	MATL.	AS PIECE PARTS	FINISH	CLEAN & DEBURR	AS PIECE PARTS	DIMENSIONS IN	SCALE	TOL'S: GENERAL	HOLE CTRS/POSNS	HOLE Ø	ANGLES	DRN	GAN
E	SEE DCA 00632	08/11			AS PIECE PARTS				mm	1:10	+0.25				DRN	GAN
D	SEE DCA 00621	05/11													CHKD	
C	SEE DCA 00512	05/10				CLEAN & DEBURR									APPD	
A	INITIAL ISSUE	05/09				AS PIECE PARTS									DATE	
																20.05.2009

TITLE: MAINFRAME COVER ASSY, TOP
ECOLITE P

TAYLOR CONSTRUCTION PLANT LTD.
QUAYSIDE PARK, BATES ROAD,
MALDON, ESSEX, CH10 8FA
TEL: +44(0)1627 753441 EXT 64380
WWW.TCP.EU.COM

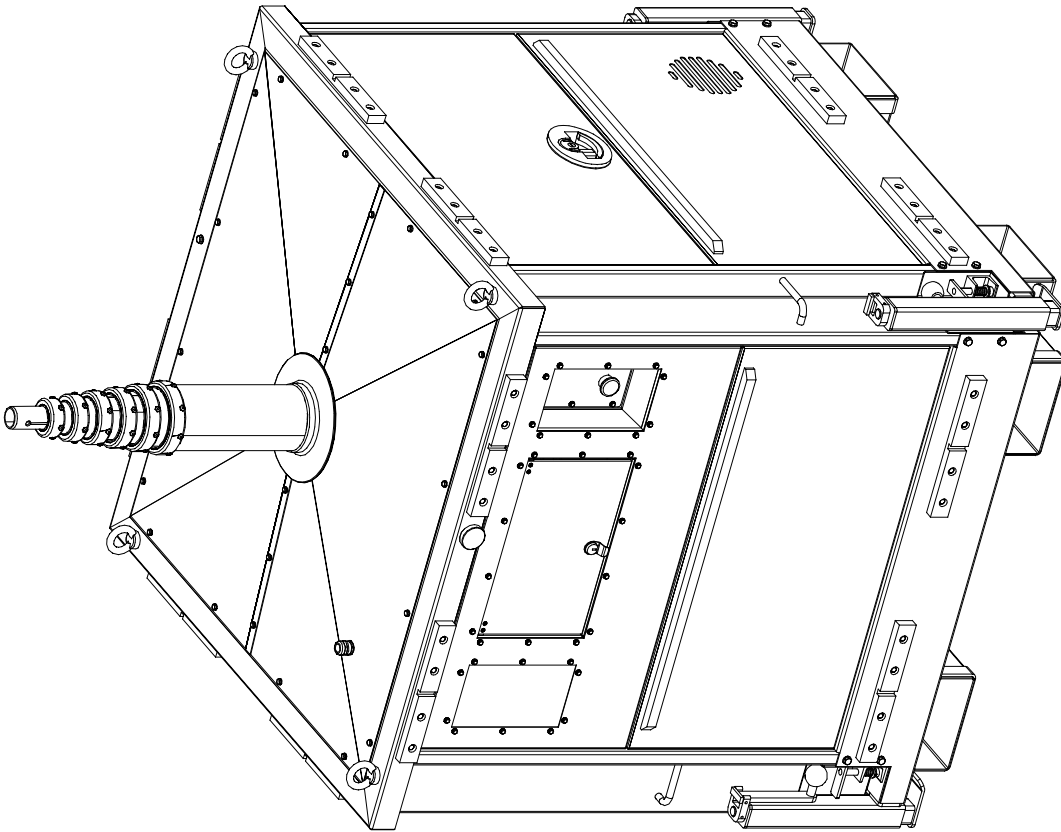
DWG No. TCP-4034-01 SA Sht. 5 of 6
STK No. SA-4034-01

THIS DRAWING IS THE PROPERTY OF TAYLOR CONSTRUCTION PLANT LTD. AND MUST NOT BE COPIED REPRODUCED OR DISCLOSED EXCEPT AS AUTHORISED IN WRITING BY TAYLOR CONSTRUCTION PLANT LTD. © 2008

THIRD ANGLE PROJECTION

TAYLOR CONSTRUCTION PLANT LTD. RESERVE THE RIGHT TO CHANGE PRODUCTS & SPECIFICATIONS WITHOUT PRIOR NOTICE.

DWG No. TCP-4034-01 SA

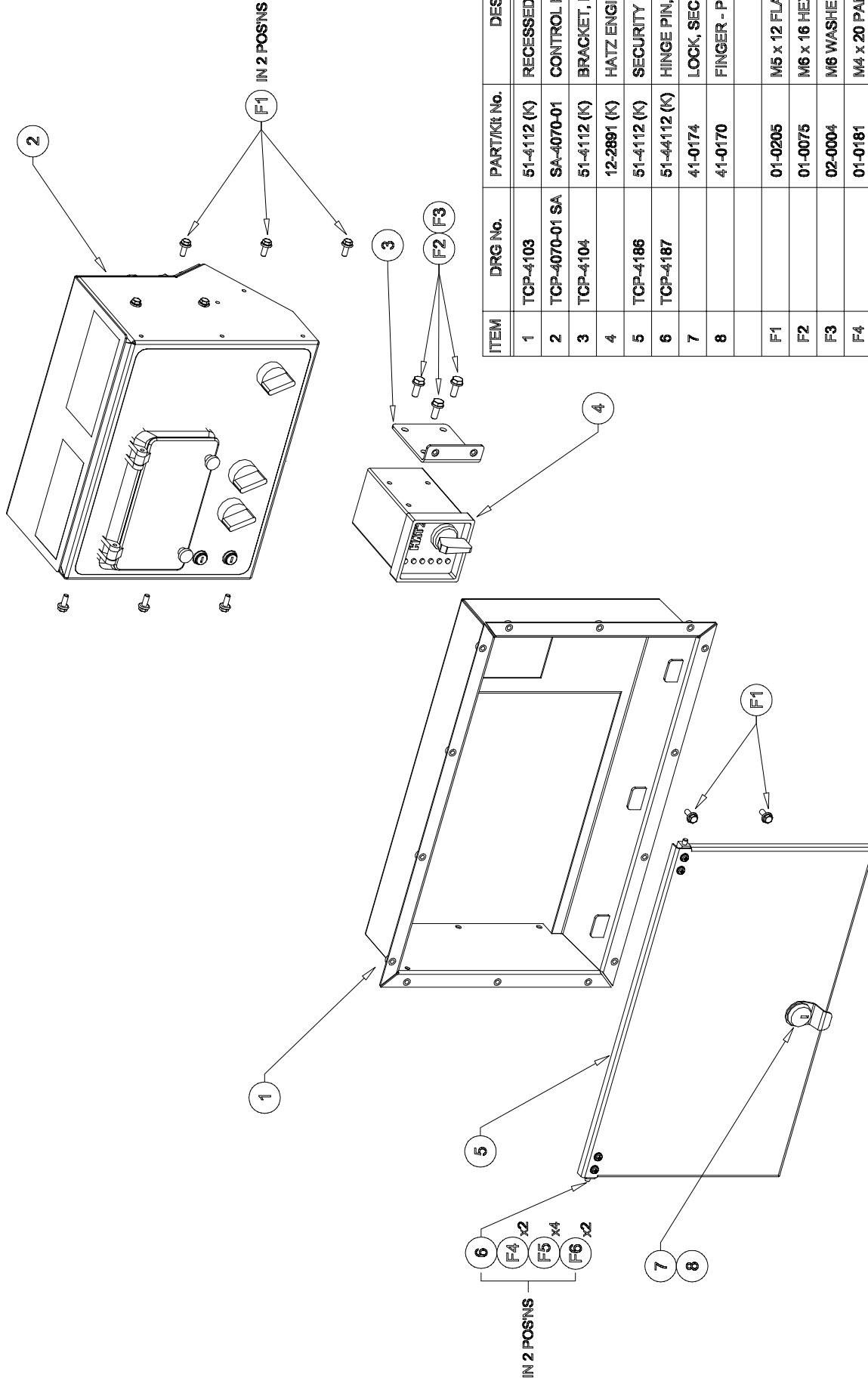


N.B. ITEMS 1 & 2 NOT SHOWN
FITTED INTERNALLY

ITEM	DRG No.	PART/Kit No.	DESCRIPTION	QTY
1		10-0064	AIR DUCT HOSE Ø152 - OUTLET	0.5M
2		10-0081	HI-TORQUE CLAMP Ø152	2
OPTIONAL AIR INLET KIT				
3	TCP-4154	51-4154	AIR INLET FLANGE SOUND BOX	1
4		10-0064	AIR DUCT HOSE Ø152 - INLET	0.5M
5		10-0081	HI-TORQUE CLAMP Ø152	2
F1		02-0014	Ø3mm POP RIVETS	8

UNCONTROLLED DOCUMENT
CHECK FOR AMENDMENTS BEFORE USE

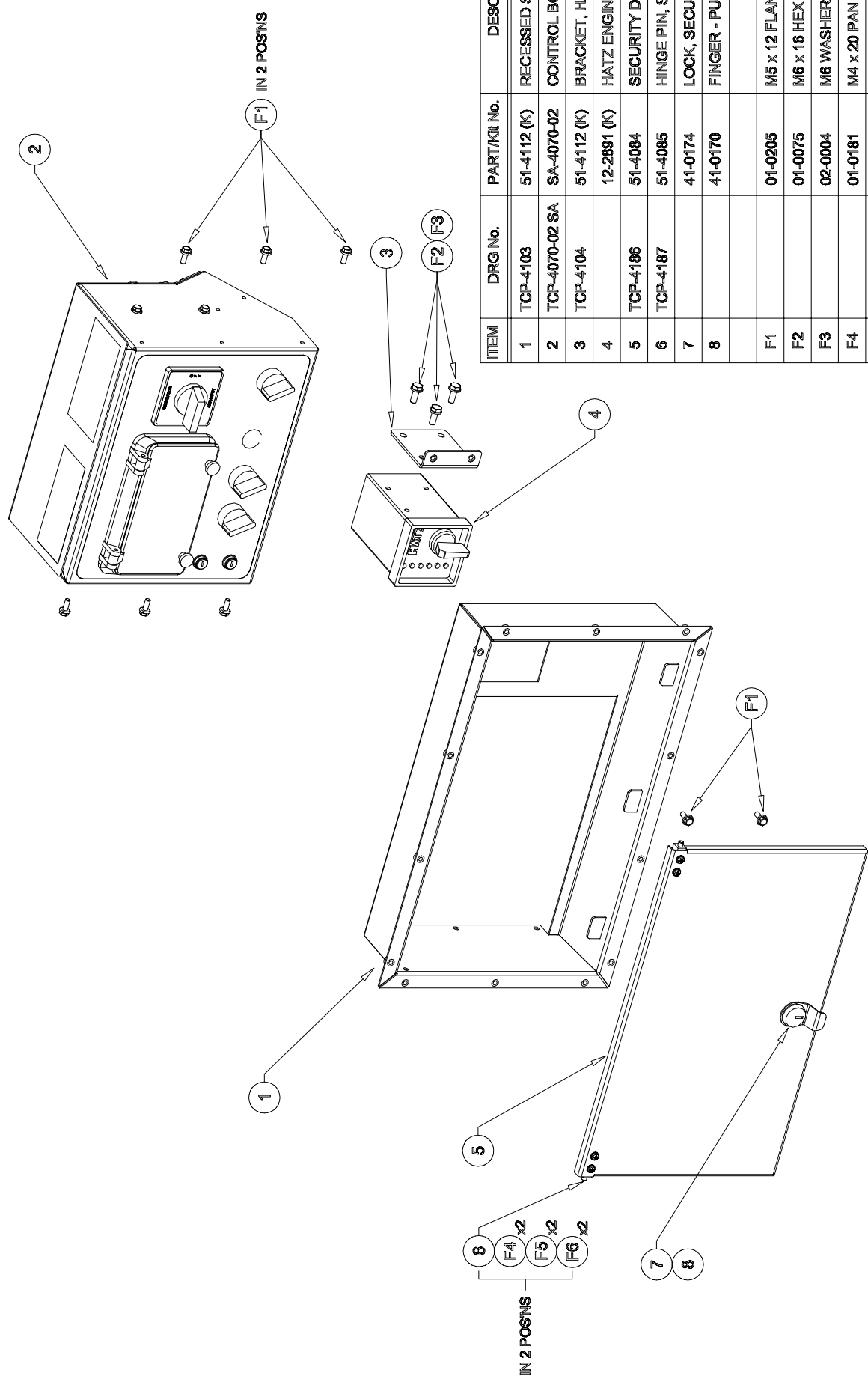
MATERIALS		DIMENSIONS IN mm		TAYLOR CONSTRUCTION PLANT LTD.		TITLE: MAINFRAME COVER ASSY, SHOWING ALL	
MATL.	AS PIECE PARTS	SCALE	mm	QUAYSIDE PARK, BATES ROAD,	ECOLITE P	DRN	GAN
C	SEE DCA 00512	TOL'S: GENERAL	1:10	MALDON, ESSEX, CH19 8FA		CHKD	
A	INITIAL ISSUE	HOLE CTRS/POSNS	+0.25	TE: +441621 800777 FAX: +441621 843880		APPD	
ISS	DESCRIPTION	HOLE Ø	H8	WWW.TCP.EU.COM	DWG No. TCP-4034-01 SA	DATE	15.04.2009
		ANGLES	+0.5°		Strk No. SA-4034-01		



ITEM	DRG No.	PART/Kit No.	DESCRIPTION	QTY
1	TCP-4103	51-4112 (K)	RECESSED SUPPORT PANEL	1
2	TCP-4070-01 SA	SA-4070-01	CONTROL BOX ASSY, BASIC	1
3	TCP-4104	51-4112 (K)	BRACKET, HATZ CONTROLLER	1
4		12-2891 (K)	HATZ ENGINE CONTROLLER	1
5	TCP-4186	51-4112 (K)	SECURITY DOOR STEEL	1
6	TCP-4187	51-44112 (K)	HINGE PIN, SECURITY DOOR	2
7		41-0174	LOCK, SECURITY DOOR	1
8		41-0170	FINGER - PULL	1
F1		01-0205	M5 x 12 FLANGE HEAD BOLT	8
F2		01-0075	M6 x 16 HEX SETSCREW	3
F3		02-0004	M6 WASHER	3
F4		01-0181	M4 x 20 PAN HD POZI SCREW	4
F5		02-0028	M4 WASHER	8
F6		01-0019	M4 NYLOC	4

UNCONTROLLED DOCUMENT
CHECK FOR AMENDMENTS BEFORE USE

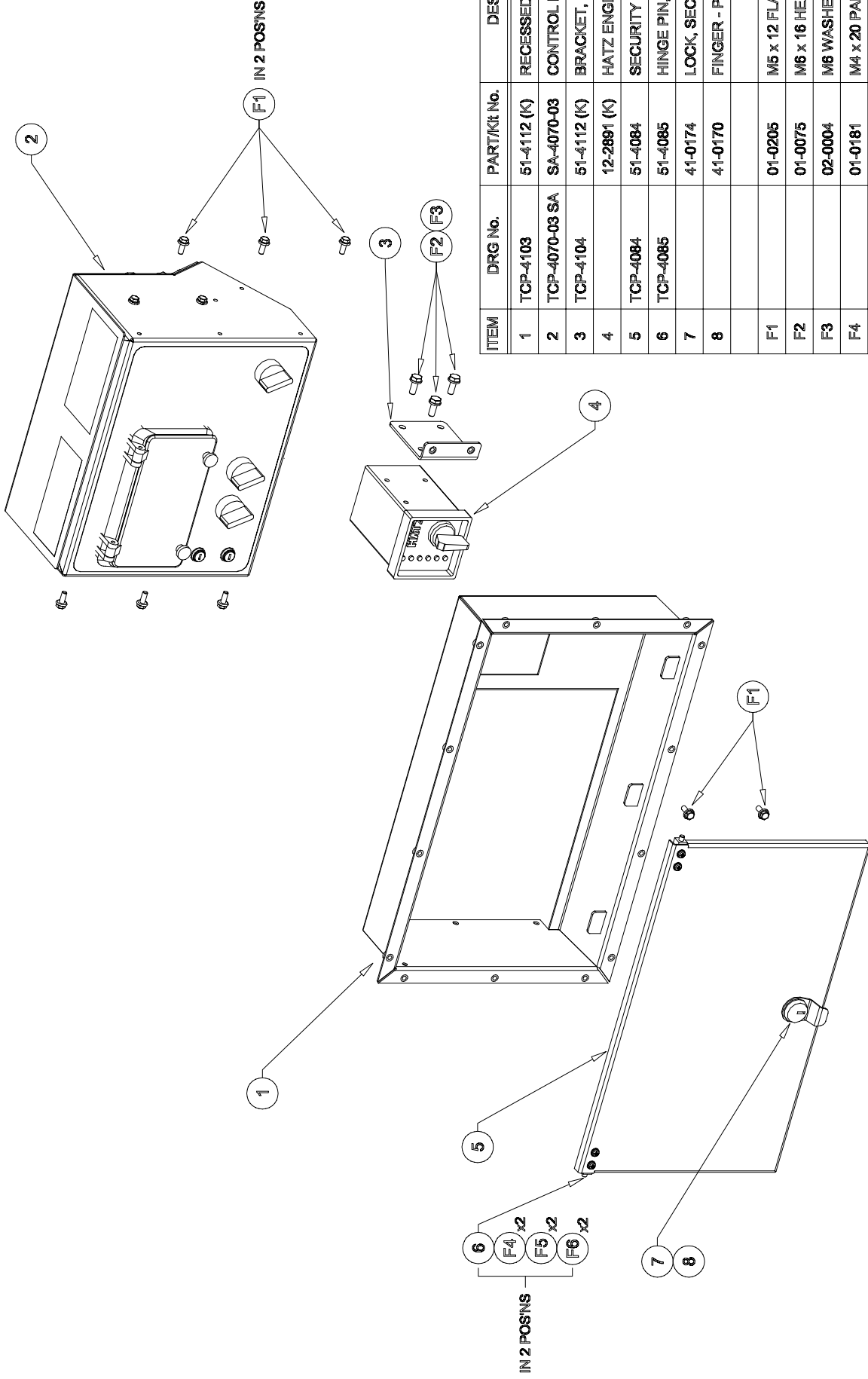
MATERIALS		DIMENSIONS IN		TITLE:		DRN	
NO.	DESCRIPTION	SCALE	TOL'S	CONTROL MODULE ASSY, BASIC		NO.	CHKD
1	SEE PIECE PARTS	1:4	GENERAL	ECOLITE-P		0087	07/10
2	FINISH CLEAN & DEBURR	+0.25	HOLE CTRS	TAYLOR CONSTRUCTION PLANT LTD.		0087	07/10
3		+0.2	HOLE Ø	QUAYSIDE PARK, BATES ROAD,		0087	07/10
4		+0.5°	ANGLES	MALDON, ESSEX, CH8 9FA		0087	07/10
5				TEL: +44(0)1627 80777 FAX: +44(0)1627 84880		0087	07/10
6				WWW.TCP.EU.COM		0087	07/10
7				DWG No. TCP-4126-01 SA		0087	07/10
8				Sht. 1 of 1		0087	07/10
9				SA-4126-01		0087	07/10
10				DATE		0087	07/10
11				DATE		0087	07/10



ITEM	DRG No.	PART/Kit No.	DESCRIPTION	QTY
1	TCP-4103	51-4112 (K)	RECESSED SUPPORT PANEL	1
2	TCP-4070-02 SA	SA-4070-02	CONTROL BOX ASSY, BASIC	1
3	TCP-4104	51-4112 (K)	BRACKET, HATZ CONTROLLER	1
4		12-2891 (K)	HATZ ENGINE CONTROLLER	1
5	TCP-4186	51-4084	SECURITY DOOR	1
6	TCP-4187	51-4085	HINGE PIN, SECURITY DOOR	2
7		41-0174	LOCK, SECURITY DOOR	1
8		41-0170	FINGER - PULL	1
F1		01-0205	M5 x 12 FLANGE HEAD BOLT	8
F2		01-0075	M6 x 16 HEX SETSCREW	3
F3		02-0004	M6 WASHER	3
F4		01-0181	M4 x 20 PAN HD POZI SCREW	8
F5		02-0028	M4 WASHER	8
F6		01-0019	M4 NYLOC	8

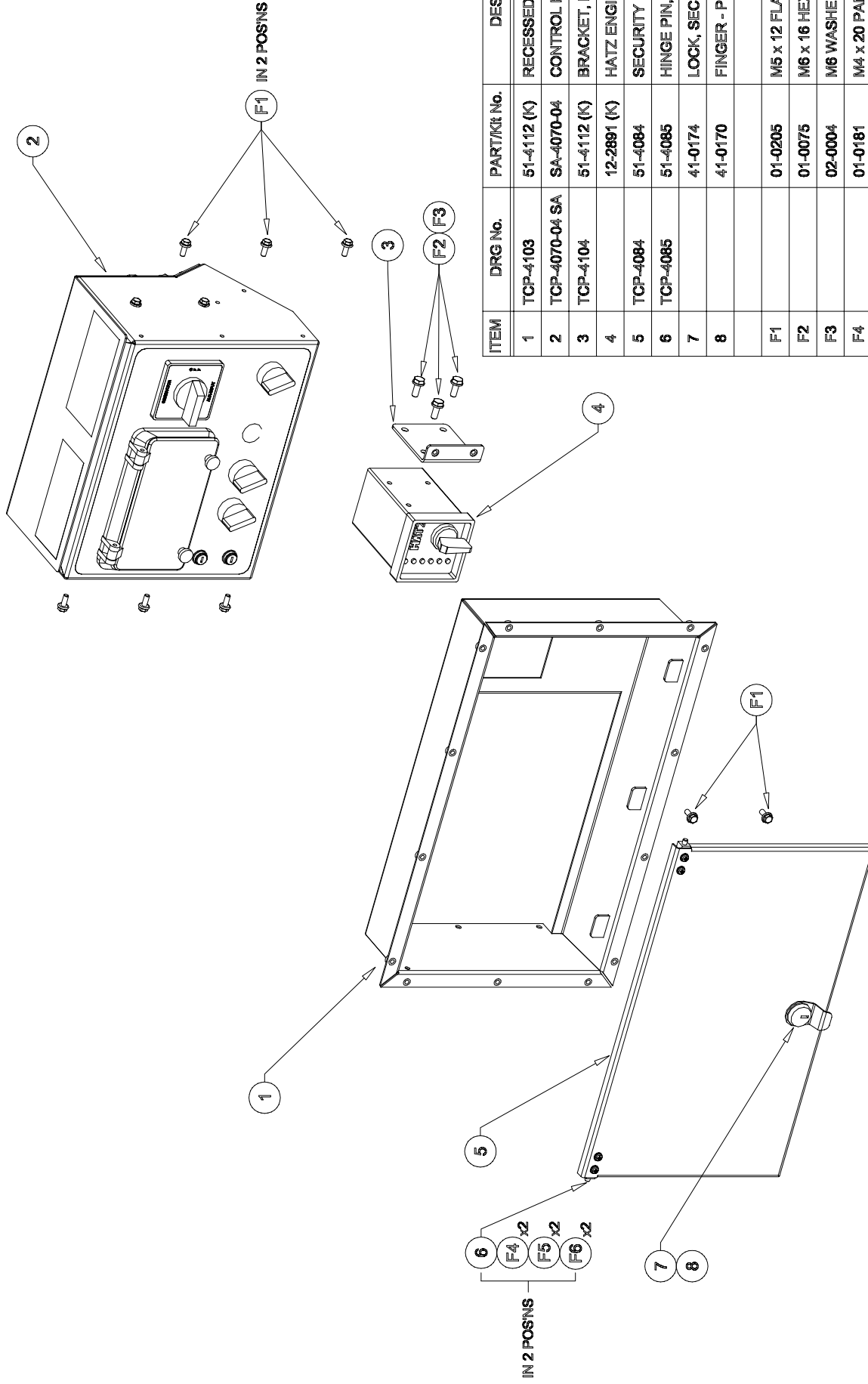
UNCONTROLLED DOCUMENT
CHECK FOR AMENDMENTS BEFORE USE

MATERIALS		DIMENSIONS IN		TITLE:		DRN	
NO.	DESCRIPTION	SCALE	TOL'S	CONTROL MODULE ASSY, CHANGE OVER		NO.	CHKD
	SEE PIECE PARTS	1:4	GENERAL	ECOLITE-P			
B	SEE DCA 00687	+0.25	HOLE CTRS	DWC No. TCP-4126-02 SA		1	SA-4126-02
A	INITIAL ISSUE	+0.2	HOLE Ø	Sht. 1 of 1			DATE
ISS	DATE	+0.5°	ANGLES	DWC No. TCP-4126-02 SA			01.06.2009
	FINISH: CLEAN & DEBURR			TAYLOR CONSTRUCTION PLANT LTD.			
				QUAYSIDE PARK, BATES ROAD, MALDON, ESSEX, CH10 8FA TEL: +44(0)1627 75344 FAX: +44(0)1627 848880 WWW.TCP.EU.COM			



ITEM	DRG No.	PART/Kit No.	DESCRIPTION	QTY
1	TCP-4103	51-4112 (K)	RECESSED SUPPORT PANEL	1
2	TCP-4070-03 SA	SA-4070-03	CONTROL BOX ASSY, DUAL POLE	1
3	TCP-4104	51-4112 (K)	BRACKET, HATZ CONTROLLER	1
4		12-2891 (K)	HATZ ENGINE CONTROLLER	1
5	TCP-4084	51-4084	SECURITY DOOR	1
6	TCP-4085	51-4085	HINGE PIN, SECURITY DOOR	2
7		41-0174	LOCK, SECURITY DOOR	1
8		41-0170	FINGER - PULL	1
F1		01-0205	M5 x 12 FLANGE HEAD BOLT	8
F2		01-0075	M6 x 16 HEX SETSCREW	3
F3		02-0004	M6 WASHER	3
F4		01-0181	M4 x 20 PAN HD POZI SCREW	8
F5		02-0028	M4 WASHER	8
F6		01-0019	M4 NYLOC	8

DIMENSIONS IN		MATERIAL		FINISH		CHECK		DATE		DESCRIPTION		TITLE		DWG No.		DATE	
SCALE	TOL'S	GENERAL	CTRS	POSNS	HOLE Ø	H8	H9	±0.5°	SEE PIECE PARTS		CLEAN & DEBURR	INITIAL ISSUE	02/11	TCP-4126-03 SA		SA-4126-03	
1:4														TCP-4126-03 SA		01.06.2009	
<p>UNCONTROLLED DOCUMENT</p> <p>CHECK FOR AMENDMENTS BEFORE USE</p>																	
<p>TAYLOR CONSTRUCTION PLANT LTD. QUAYSIDE PARK, BATES ROAD, MALDON, ESSEX, CH10 8FA TEL: +44(0)1627 60777 FAX: +44(0)1627 64880 WWW.TCP.EU.COM</p>																	



ITEM	DRG No.	PART/Kit No.	DESCRIPTION	QTY
1	TCP-4103	51-4112 (K)	RECESSED SUPPORT PANEL	1
2	TCP-4070-04 SA	SA-4070-04	CONTROL BOX ASSY, BASIC	1
3	TCP-4104	51-4112 (K)	BRACKET, HATZ CONTROLLER	1
4		12-2891 (K)	HATZ ENGINE CONTROLLER	1
5	TCP-4084	51-4084	SECURITY DOOR	1
6	TCP-4085	51-4085	HINGE PIN, SECURITY DOOR	2
7		41-0174	LOCK, SECURITY DOOR	1
8		41-0170	FINGER - PULL	1
F1		01-0205	M5 x 12 FLANGE HEAD BOLT	8
F2		01-0075	M6 x 16 HEX SETSCREW	3
F3		02-0004	M6 WASHER	3
F4		01-0181	M4 x 20 PAN HD POZI SCREW	8
F5		02-0028	M4 WASHER	8
F6		01-0019	M4 NYLOC	8

UNCONTROLLED DOCUMENT
CHECK FOR AMENDMENTS BEFORE USE

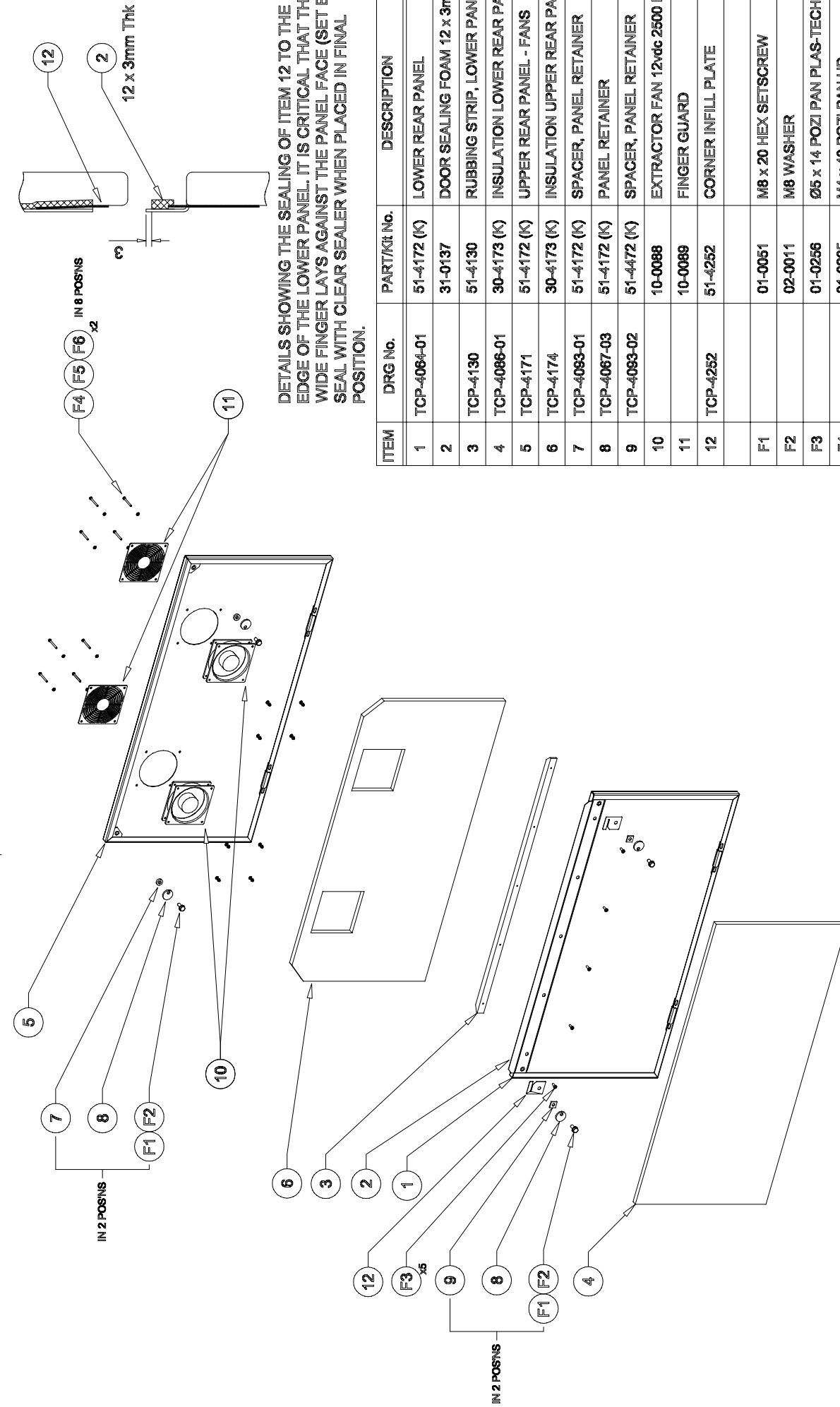
MATERIALS		DIMENSIONS IN mm		TAYLOR CONSTRUCTION PLANT LTD.		TITLE: CONTROL MODULE ASSY, CHANGE OVER PLUS D/P BREAKER, ECOLITE-P		DRN	GAN
SEE PIECE PARTS		SCALE	1:4	QUAYSIDE PARK, BATES ROAD, MALDON, ESSEX, CH10 8FA		STK No. SA-4126-04		CHKD	
FINISH CLEAN & DEBURR		TOL'S: GENERAL	:0.25	TEL: +44(0)1627 753441 EXT 448880		DATE		APPD	
B	SEE DCA 00687	HOLE CTRS POSNS	:0.2	WWW.TCP.EU.COM		SA-4126-04			
A	INITIAL ISSUE	ANGLES	:0.5°						
ISS	DESCRIPTION	CHKD	DATE						

ECOLITE-P V1
DESERT PANELS

THIS DRAWING IS THE PROPERTY OF TAYLOR CONSTRUCTION PLANT LTD. AND MUST NOT BE COPIED, REPRODUCED OR DISCLOSED EXCEPT AS AUTHORISED IN WRITING BY TAYLOR CONSTRUCTION PLANT LTD. © 2010

THIRD ANGLE PROJECTION

TAYLOR CONSTRUCTION PLANT LTD. RESERVE THE RIGHT TO CHANGE PRODUCTS & SPECIFICATIONS WITHOUT PRIOR NOTICE.



DETAILS SHOWING THE SEALING OF ITEM 12 TO THE UPPER EDGE OF THE LOWER PANEL. IT IS CRITICAL THAT THE 10mm WIDE FINGER LAYS AGAINST THE PANEL FACE (SET BACK). SEAL WITH CLEAR SEALER WHEN PLACED IN FINAL POSITION.

ITEM	DRG No.	PART/Kit No.	DESCRIPTION	QTY
1	TCP-4064-01	51-4172 (K)	LOWER REAR PANEL	1
2		31-0137	DOOR SEALING FOAM 12 x 3mm	1.0
3	TCP-4130	51-4130	RUBBING STRIP, LOWER PANEL	1
4	TCP-4086-01	30-4173 (K)	INSULATION LOWER REAR PANEL	1
5	TCP-4171	51-4172 (K)	UPPER REAR PANEL - FANS	1
6	TCP-4174	30-4173 (K)	INSULATION UPPER REAR PANEL	1
7	TCP-4093-01	51-4172 (K)	SPACER, PANEL RETAINER	2
8	TCP-4067-03	51-4172 (K)	PANEL RETAINER	4
9	TCP-4093-02	51-4472 (K)	SPACER, PANEL RETAINER	2
10		10-0088	EXTRACTOR FAN 12vdc 2500 RPM	2
11		10-0089	FINGER GUARD	2
12	TCP-4252	51-4252	CORNER INFILL PLATE	2
F1		01-0051	M8 x 20 HEX SETSCREW	4
F2		02-0011	M8 WASHER	4
F3		01-0256	Ø5 x 14 POZI PAN PLAS-TECH 30	5
F4		01-0265	M4 x 40 POZI PAN HID	8
F5		01-0019	M4 NYLOC NUT	8
F6		02-0028	M4 WASHER	16

UNCONTROLLED DOCUMENT
CHECK FOR AMENDMENTS BEFORE USE

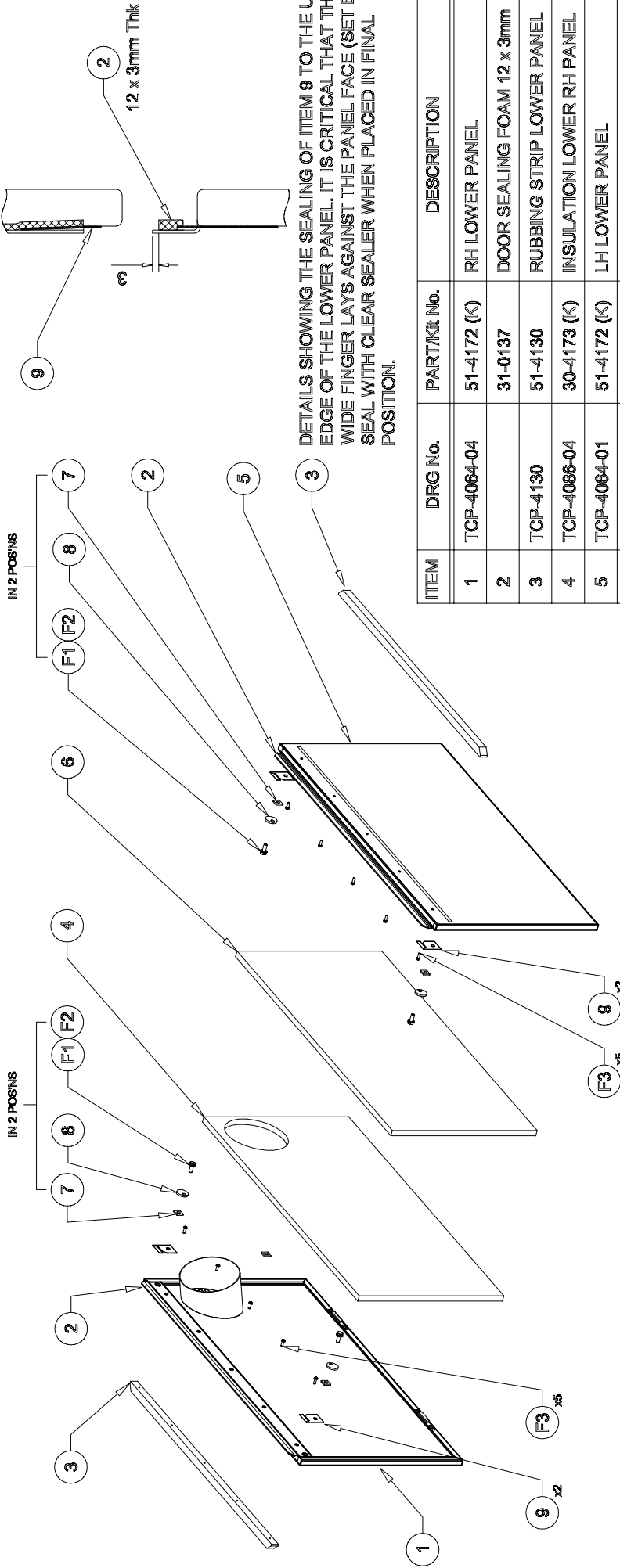
ISS		DESCRIPTION		CHKD	DATE
C	SEE DCA 00625	05/11			
B	SEE DCA 00606	03/11			
A	INITIAL ISSUE	12/10			

MATL.	AS PIECE PARTS	DIMENSIONS IN	mm
		SCALE	1:10
		TOL'S: GENERAL	±0.25
		HOLE CTRS/POSNS	±0.2
		HOLE Ø	H8
		ANGLES	±0.5°

TAYLOR CONSTRUCTION PLANT LTD.		TITLE: MAINFRAME PANEL ASSY, DESERT REAR	
QUAYSIDE PARK, BATES ROAD, MALDON, ESSEX, CH19 8FA		ECOLITE P	
TEL: +441621 80777 FAX: +441621 84330		DWG No. TCP-4177-01 SA	
WWW.TCP.EU.COM		Sht. 1 of 6	
		STK No. SA-4177-01	
		DATE 06.12.2010	

A B C D E F G H

THIRD ANGLE PROJECTION



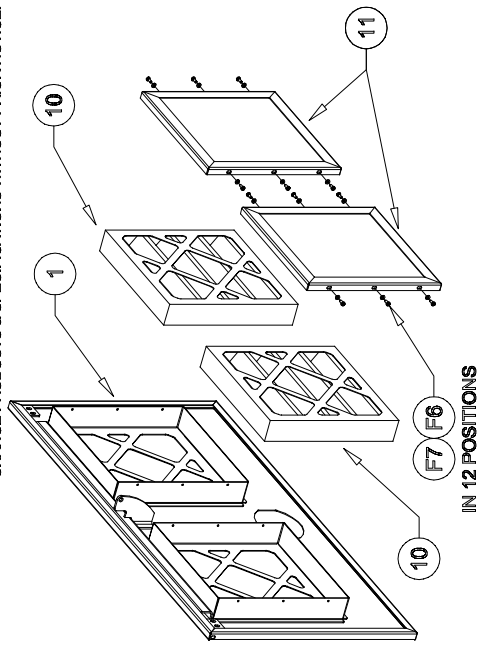
DETAILS SHOWING THE SEALING OF ITEM 9 TO THE UPPER EDGE OF THE LOWER PANEL. IT IS CRITICAL THAT THE 10mm WIDE FINGER LAYS AGAINST THE PANEL FACE (SET BACK). SEAL WITH CLEAR SEALER WHEN PLACED IN FINAL POSITION.

ITEM	DRG No.	PART/Kit No.	DESCRIPTION	QTY
1	TCP-4064-04	51-4172 (K)	RH LOWER PANEL	1
2		31-0137	DOOR SEALING FOAM 12 x 3mm	2.4
3	TCP-4130	51-4130	RUBBING STRIP LOWER PANEL	2
4	TCP-4086-04	30-4173 (K)	INSULATION LOWER RH PANEL	1
5	TCP-4064-01	51-4172 (K)	LH LOWER PANEL	1
6	TCP-4086-01	30-4173 (K)	INSULATION LOWER LH PANEL	1
7	TCP-4093-02	51-4172 (K)	SPACER PANEL RETAINER	4
8	TCP-4067-03	51-4172 (K)	PANEL RETAINER	4
9	TCP-4252	51-4252	CORNER INFILL PLATE	4
F1		01-0051	M8 x 20 HEX SETSCREW	4
F2		02-0011	M8 WASHER	4
F3		01-0256	Ø5 x 14 POZI PAN PLAS-TECH 30	10

UNCONTROLLED DOCUMENT
CHECK FOR AMENDMENTS BEFORE USE

ISS	DESCRIPTION	CHKD	DATE	DRN	GAN
C	SEE DCA 00625	05/11		CHKD	
B	SEE DCA 00606	03/11		APPD	
A	INITIAL ISSUE	12/10		DATE	13.12.2010

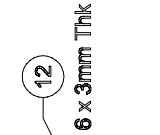
MATERIALS AS PIECE PARTS		DIMENSIONS IN mm		TITLE: MAINFRAME PANEL ASSY, DESERT LOWER SIDES. ECOLITE P	
SCALE	1:10	TO 1'S: GENERAL	+0.25	TAYLOR CONSTRUCTION PLANT LTD.	
HOLE CTRS POSNS	+0.2	HOLE Ø	+0.8	QUAYSIDE PARK, BATES ROAD, MALDON, ESSEX, CH10 8FA	
ANGLES	+0.5°	ASSEMBLY	+0.5°	TEL: +44(0)1627 60777 FAX: +44(0)1627 64680	
FINISH CLEAN & DEBURR AS PIECE PARTS		DWG No. TCP-4177-01 SA		STK No. SA-4177-01	
ASSEMBLY		Sht. 2 of 6		WWW.TCP.EU.COM	



IN 12 POSITIONS

ITEM	DRG No.	PART/KIT No.	DESCRIPTION	QTY
1	TCP-4168-02	51-4172 (K)	SIDE ACCESS DOOR - INLET	1
2	TCP-4068	30-4172 (K)	SIDE ACCESS DOOR	1
3	TCP-4176	30-4173 (K)	ACCOUSTIC INSULATION - INLET	1
4	TCP-4089	30-4173 (K)	ACCOUSTIC INSULATION	1
5	TCP-4067-07	51-4172 (K)	HINGE PIN LH	2
6	TCP-4067-08	51-4172 (K)	HINGE PIN RH	2
7		40-0121	GAS STRUT	2
8	TCP-4067-06	51-4172 (K)	GAS STRUT ANCHOR	2
9		41-0173	HANDLE, LOCKABLE	2
10	TCP-4140	10-0087	AIR FILTER CARTRIDGE G4	2
11	TCP-4170	51-4172 (K)	RETAINER FILTER BOX	2
12		30-0062	FOAM DDOR SEAL 6 x 3mm	2.0
F1		01-0002	M6 x 20 HEX SETSCREW	4
F2		02-0004	M6 WASHER	12
F3		01-0017	M6 NYLOC NUT	24
F4		01-0075	M6 x 16 HEX SETSCREW	8
F5		02-0155	M6 WASHER, NYLON	4
F6		01-0058	No.8 x 3/8 S/T PAN HD SCREW	12
F5		02-0028	M4 WASHER	12

PART OF TOP FRAME ASSY (SHOWN FOR CLARITY)



DETAILS SHOWING POSITION OF SEAL ALONG REAR TOP EDGE OF DOORS

UNCONTROLLED DOCUMENT
CHECK FOR AMENDMENTS BEFORE USE

MATERIALS		DIMENSIONS IN mm		TAYLOR CONSTRUCTION PLANT LTD.	
MATL.	AS PIECE PARTS	SCALE	1:10	QUAYSIDE PARK, BATES ROAD, MALDON, ESSEX, CH10 8FA	
FINISH	CLEAN & DEBURR	TOL'S: GENERAL	±0.25	TEL: +44 (0)1627 800777 FAX: +44 (0)1627 848880	
ISS	AS PIECE PARTS	HOLE CTRS POSNS	±0.2	WWW.TCP.EU.COM	
A	INITIAL ISSUE	HOLE Ø	H8	DWG No. TCP-4177-01 SA Sht. 3 of 6	
B	DATE	ANGLES	±0.5°	TITLE: MAINFRAME COVER ASSY, DESERT ACCESS DOORS, ECOLITE P	
CHKD	DATE	STK No. SA-4177-01			
APPD	DATE	DATE 13.12.2010			
DRN	GAN	CHKD			

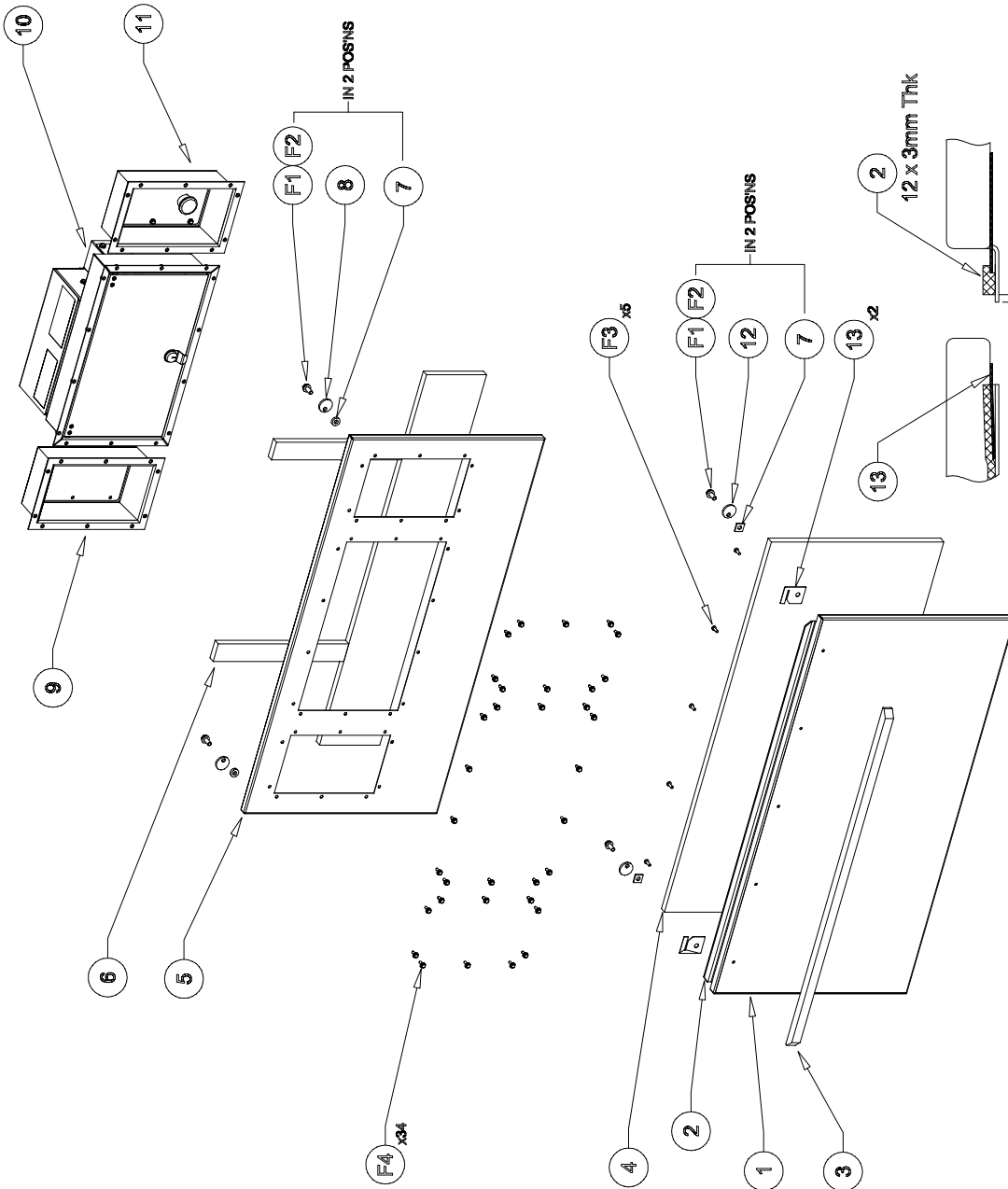
THIRD ANGLE PROJECTION

ASSY NOTES.

ITEMS 9, 10 AND 11 MUST BE SEALED TO INSIDE FACE OF ITEM 5. USING CLEAR SILICON SEALER.

OPTION NOTES.

ITEM 9: HAS 3 ADDITIONAL OPTIONS AVAILABLE, SEE TCP-4124-01 SA, 02 & 03.
 ITEM 10: HAS 3 ADDITIONAL OPTIONS AVAILABLE, SEE TCP-4073-02 SA, 03 & 04.
 ITEM 11: HAS 1 ADDITIONAL OPTION AVAILABLE, SEE TCP-4123-02 SA.



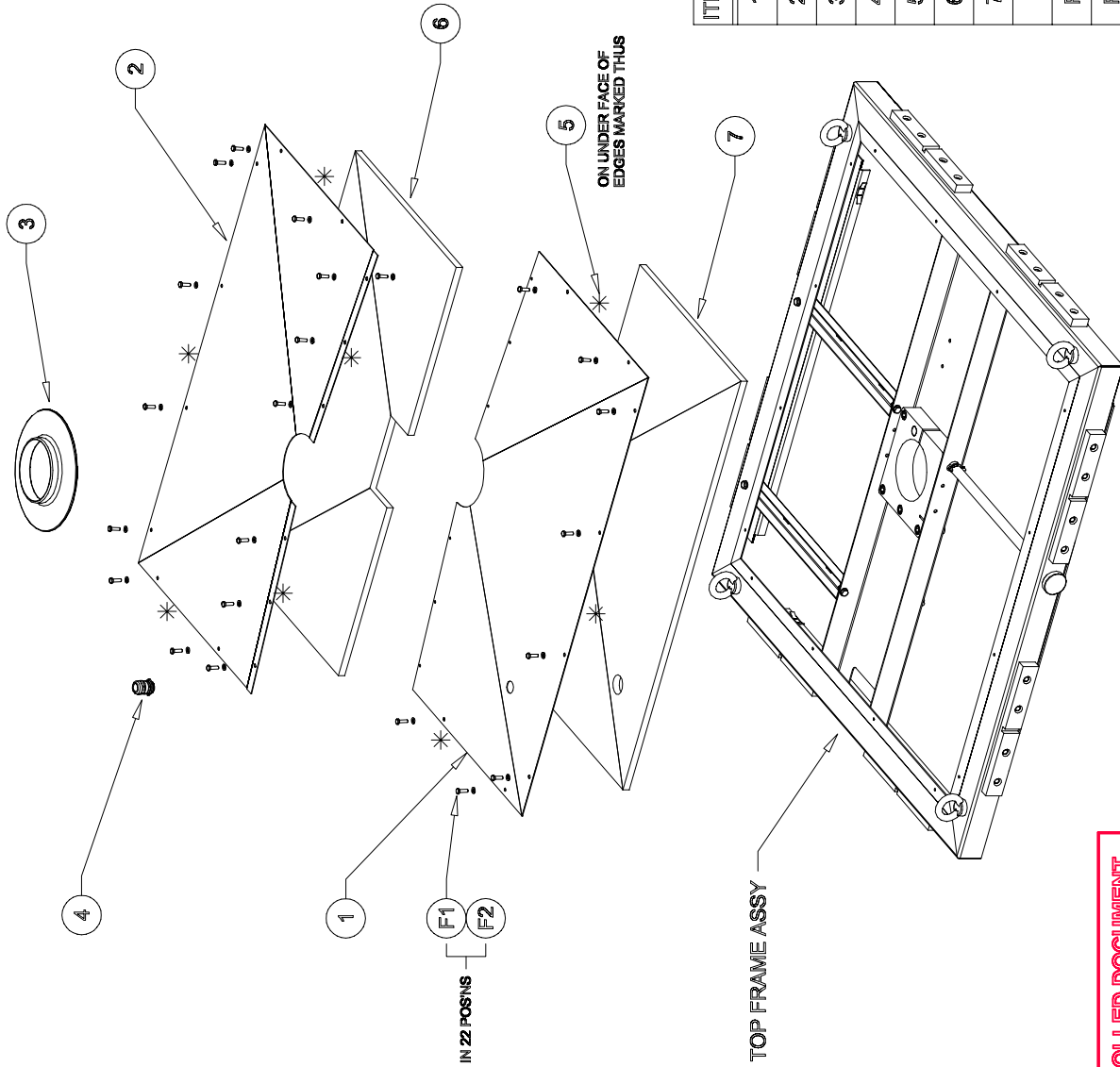
DETAILS SHOWING THE SEALING OF ITEM 13 TO THE UPPER EDGE OF THE LOWER PANEL. IT IS CRITICAL THAT THE 10mm WIDE FINGER LAYS AGAINST THE PANEL FACE (SET BACK). SEAL WITH CLEAR SEALER WHEN PLACED IN FINAL POSITION.

UNCONTROLLED DOCUMENT
CHECK FOR AMENDMENTS BEFORE USE

ITEM	DRG No.	PART/Kit No.	DESCRIPTION	QTY
1	TCP-4064-01	51-4172 (K)	LOWER FRONT PANEL	1
2		31-0137	DOOR SEALING FOAM 12 x 3mm	1.0
3	TCP-4130	51-4130	RUBBING STRIP, LOWER PANEL	1
4	TCP-4086-01	30-4173 (K)	INSULATION LOWER FRONT PANEL	1
5	TCP-4066	51-4172 (K)	UPPER FRONT PANEL, SERVICES	1
6	TCP-4088	30-4173 (K)	INSULATION UPPER FRONT PANEL	1
7	TCP-4093-01	51-4172 (K)	SPACER, PANEL RETAINER	2
8	TCP-4067-03	51-4172 (K)	PANEL RETAINER	4
9	TCP-4124-04 SA	SA-4124-04	BLANK OUTLET MODULE	1
10	TCP-4126 SA		CONTROL MODULE ASSY, BASIC	1
11	TCP-4123-01 SA	SA-4123-01	E/STOP ASSY, BASIC OPTION	1
12	TCP-4093-02	51-4172 (K)	SPACER, PANEL RETAINER	2
13	TCP-4252	51-4252	CORNER INFILL PLATE	1.0
F1		01-0051	M8 x 20 HEX SETSCREW	4
F2		02-0011	M8 WASHER	4
F3		01-0256	Ø5 x 14 POZI PAN PLAS-TECH 30	5
F4		01-0205	M5 x 12 FLANGED HEX BOLT	34

ISS	DESCRIPTION	CHKD	DATE	A	B	C	D	E	F	G	H
D	SEE DCA 00625	05/11									
C	SEE DCA 00606	03/11									
B	SEE DCA 00589	02/11									
A	INITIAL ISSUE	12/10									

MATERIALS		DIMENSIONS IN		TAYLOR CONSTRUCTION PLANT LTD.	
MATL.	AS PIECE PARTS	SCALE	1:10	QUAYSIDE PARK, BATES ROAD,	
FINISH	CLEAN & DEBURR	TOL'S: GENERAL	±0.25	MALDON, ESSEX, CH19 8FA	
	AS PIECE PARTS	HOLE CTRS: POSNS	±0.2	TEL: +44(0)1627 753441(EXT 4-6380)	
		HOLE Ø	H8	WWW.TCP.EU.COM	
		ANGLES	±0.5°	DWG No. TCP-4177-01 SA	
TITLE: MAINFRAME PANEL ASSY, DESERT FRONT				Sht. 4 of 6	
ECOLITE P				SA-4177-01	
DRN				CHKD	
APPD				DATE	
				08.12.2010	



ITEM	DRG No.	PART/Kit No.	DESCRIPTION	QTY
1	TCP-4009-01	51-4172 (K)	TOP PANEL FRONT	1
2	TCP-4009-02	51-4172 (K)	TOP PANEL REAR	1
3	TCP-4041	20-4041	WEATHERPROOF MAST SEAL	1
4		28-019	CABLE GLAND DOMED Ø25	1
5		31-0141	FOAM SEAL 2mm S/H	5M
6	TCP-4090-01	30-4173 (K)	ACCOUSTIC INSULATION REAR	1
7	TCP-4090-02	30-4173 (K)	ACCOUSTIC INSULATION FRONT	1
F1		01-0075	M6 x 16 HEX SETSCREW	22
F2		02-0004	M6 WASHER	22

UNCONTROLLED DOCUMENT
CHECK FOR AMENDMENTS BEFORE USE

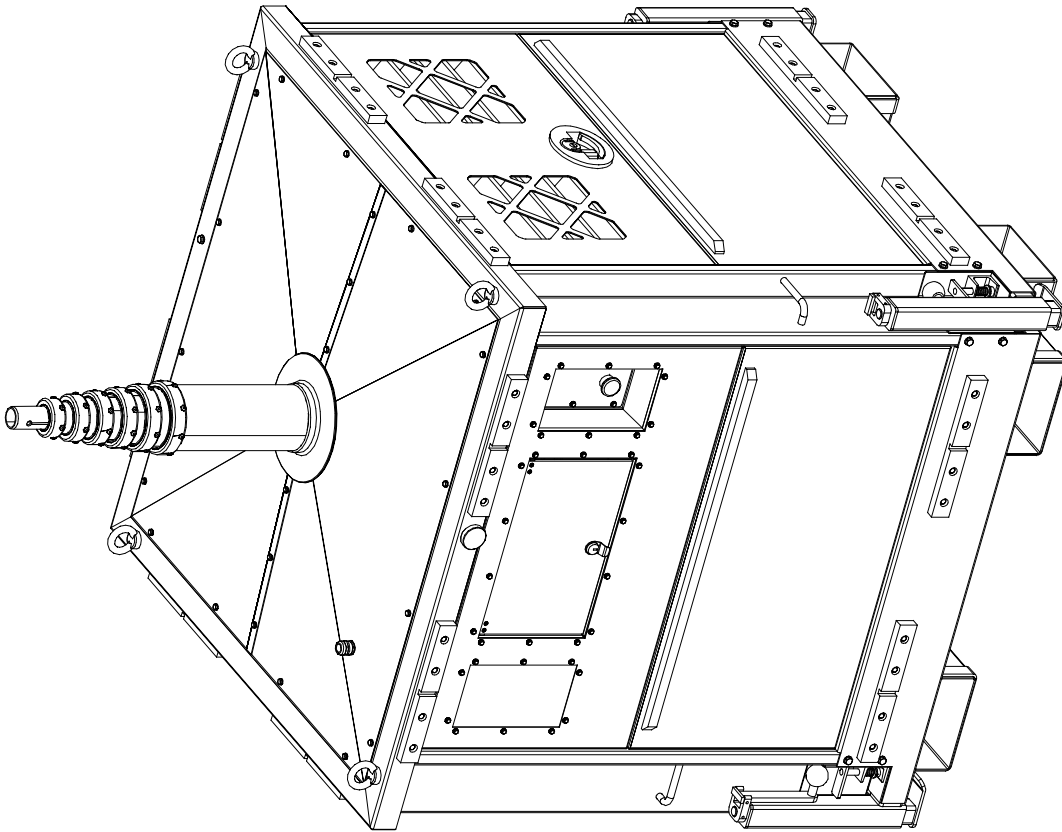
MATERIALS		MATERIAL AS PIECE PARTS		DIMENSIONS IN mm		TAYLOR CONSTRUCTION PLANT LTD.		TITLE: MAINFRAME COVER ASSY, DESERT TOP		DRN	GAN
FINISH		CLEAN & DEBURR AS PIECE PARTS		SCALE 1:10		QUAYSIDE PARK, BATES ROAD, MALDON, ESSEX, CH10 8FA		ECOLITE P		CHKD	
INITIAL ISSUE		12/10		TOL'S: GENERAL ±0.25		TEL: +44(0)1627 753441 EXT 646880		DWG No. TCP-4177-01 SA		APPD	DATE
DESCRIPTION		CHKD DATE		HOLE Ø H8		WWW.TCP.EU.COM		Sht. 5 of 6			13.12.2010
				ANGLES ±0.5°				STK No. SA-4177-01			

THIS DRAWING IS THE PROPERTY OF TAYLOR CONSTRUCTION PLANT LTD. AND MUST NOT BE COPIED REPRODUCED OR DISCLOSED EXCEPT AS AUTHORISED IN WRITING BY TAYLOR CONSTRUCTION PLANT LTD. © 2010

THIRD ANGLE PROJECTION

TAYLOR CONSTRUCTION PLANT LTD. RESERVE THE RIGHT TO CHANGE PRODUCTS & SPECIFICATIONS WITHOUT PRIOR NOTICE.

DWG No. TCP-4177-01 SA



N.B. ITEMS 1 & 2 NOT SHOWN
FITTED INTERNALLY

ITEM	DRG No.	PART/Kit No.	DESCRIPTION	QTY
1		10-0064	AIR DUCT HOSE Ø152 - OUTLET	0.5M
2		10-0081	HI-TORQUE CLAMP Ø152	2

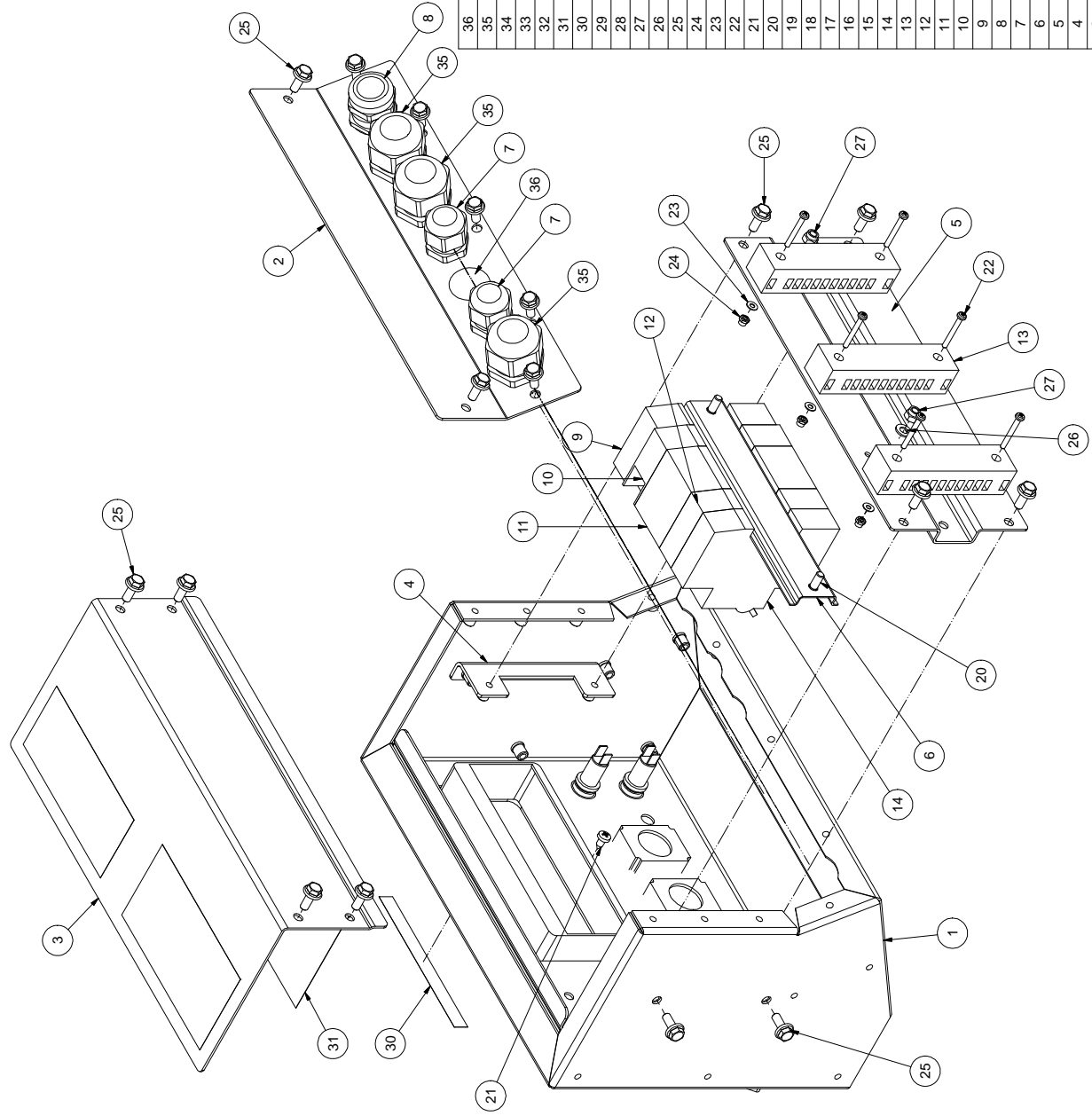
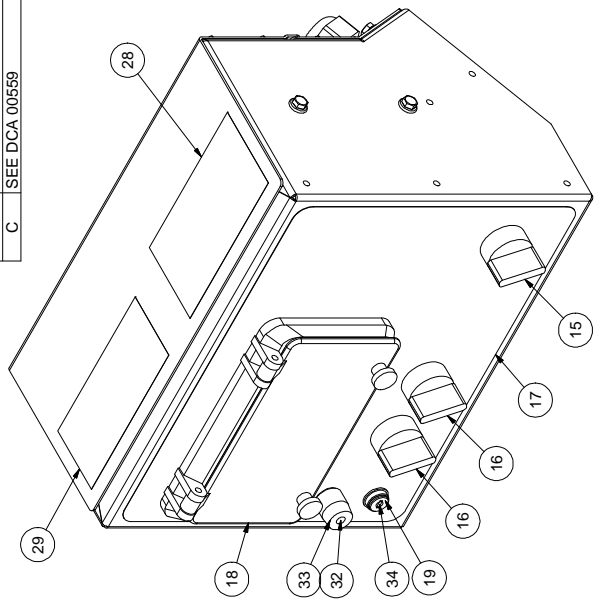
UNCONTROLLED DOCUMENT
CHECK FOR AMENDMENTS BEFORE USE

TAYLOR CONSTRUCTION PLANT LTD.		TITLE: DESERT PANEL ASSY, SHOWING ALL		DRN	GAN
QUAYSIDE PARK, BATES ROAD, MALDON, ESSEX, CM9 8FA TEL: +44(0)1627 753441 FAX: +44(0)1627 94380 WWW.TCP.EU.COM		ECOLITE P		CHKD	
DIMENSIONS IN mm		DWG No. TCP-4177-01 SA		DATE	13.12.2010
SCALE	1:10	Sht. 6 of 6		STK No.	SA-4177-01
TOL'S: GENERAL	±0.25			APPD	
HOLE CTRS/POSNS	±0.2				
HOLE Ø	H8				
ANGLES	±0.5°				
MATL.	AS PIECE PARTS				
FINISH	CLEAN & DEBURR				
AS PIECE PARTS					
02/11					
12/10					
ISS	DESCRIPTION	CHKD	DATE		

ECOLITE-P v1

CONTROL BOX

ISS	DESCRIPTION	DATE
B	INITIAL ISSUE	16/09/2008
C	SEE DCA.00559	10/09/2010

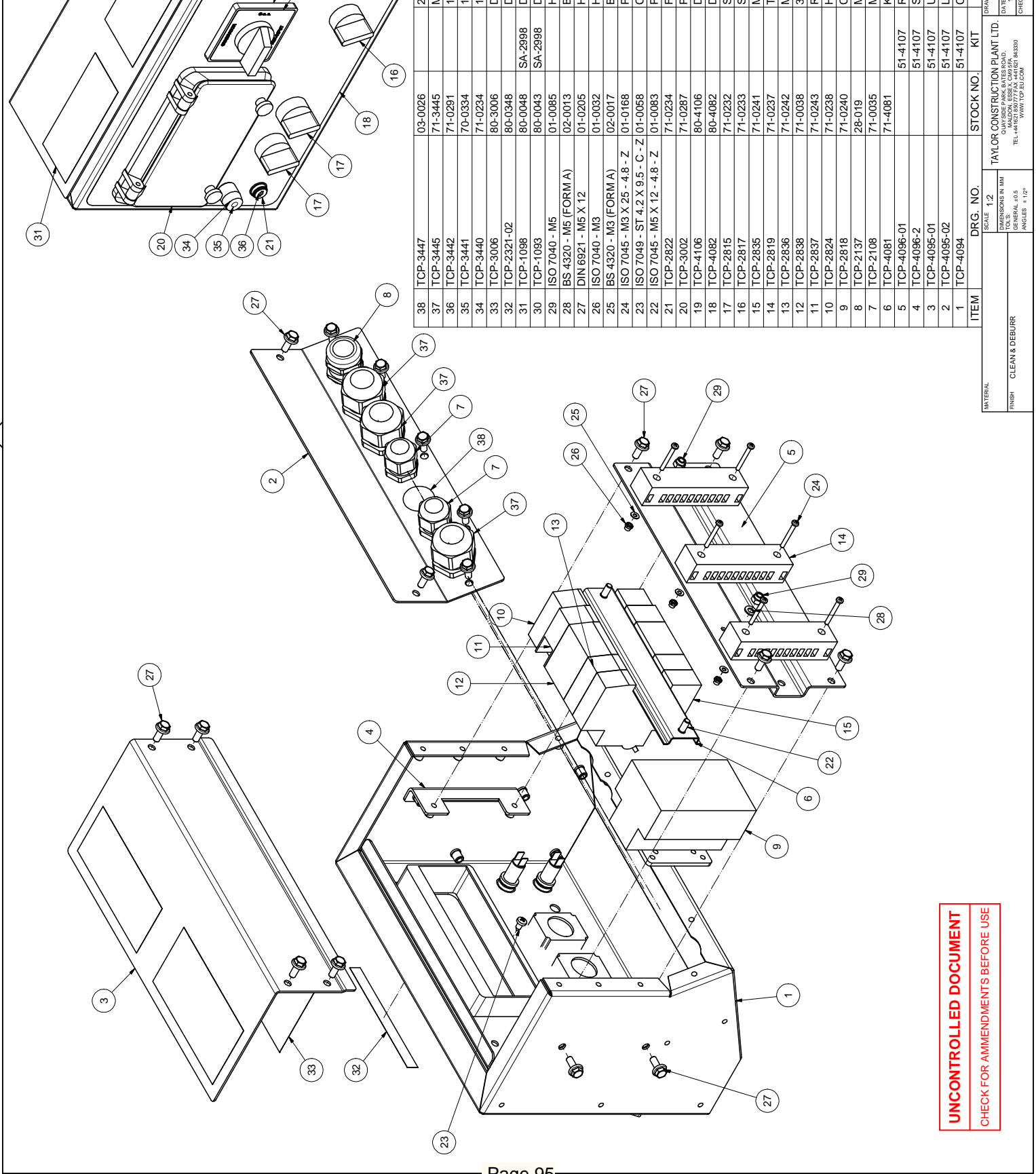


ITEM	DRG. NO.	SCALE	STOCK NO.	KIT	DESCRIPTION	QTY
36	TCP-3447	1:2	03-0026		20MM BLACKING GROMMET	1
35	TCP-3445		71-3445		M25 INDEX CABLE GLAND WITH LOCKNUT	3
34	TCP-3442		71-0291		1 AMP FUSE CARTRIDGE	1
33	TCP-3440		71-0234		15 AMP FUSE HOLDER SLOTTED IP67	1
32	TCP-3441		70-0334		15 AMP FUSE CARTRIDGE	1
31	TCP-3006		80-3006		DECAL TERMINAL INFORMATION	1
30	TCP-2321-02		80-0348		DECAL RDC MCB RELAY	1
29	TCP-1098		80-0048	SA-2998	DECAL RCD INFORMATION & TEST	1
28	TCP-1093		80-0043	SA-2998	DECAL DANGER FALLING HAZARD	1
27	ISO 7040 - M5		01-0085		HEX NUT WITH TORQUE PART	2
26	BS 4320 - M5 (FORM A)		02-0013		BRIGHT METAL WASHER - METRIC SERIES	2
25	DIN 6921 - M5 X 12		01-0205		HEXAGON FLANGED BOLT	19
24	ISO 7040 - M3		01-0032		HEX NUT WITH TORQUE PART	6
23	BS 4320 - M3 (FORM A)		02-0017		BRIGHT METAL WASHER - METRIC SERIES	6
22	ISO 7045 - M3 X 25 - 4.8 - Z		01-0168		PAN HEAD SCREW - GRADE A	6
21	ISO 7049 - ST 4.2 X 9.5 - C - Z		01-0058		CROSS RECESSED PAN HEAD TAPPING SCREW	6
20	ISO 7045 - M5 X 12 - 4.8 - Z		01-0083		PAN HEAD SCREW - GRADE A	2
19	TCP-2822		71-0234		FUSE HOLDER SLOTTED IP67	1
18	TCP-3002		71-0287		PROTECTIVE WINDOW COVER 8 WAY - GREY	1
17	TCP-4082		80-4082		DECAL CONTROL PANEL	1
16	TCP-2815		71-0232		SELECTOR SWITCH 2 POSITION	2
15	TCP-2817		71-0233		SELECTOR SWITCH 3 POSN SPG RET CTR	1
14	TCP-2835		71-0241		MCB 10A TYPE B	1
13	TCP-2819		71-0237		TERMINAL BLOCK 12 WAY 21A 275V	3
12	TCP-2836		71-0242		MCB 6A TYPE D	1
11	TCP-2838		71-0038		3110 220V RCCB 40AMP 30MA	1
10	TCP-2837		71-0243		RELAY 2 POLE NO 230V COIL	1
9	TCP-2824		71-0238		HOUR COUNTER 230V	1
8	TCP-2137		28-019		M25 CABLE GLAND	1
7	TCP-2106		71-0035		M20 CABLE GLAND WITH LOCKNUT	2
6	TCP-4081		71-4081		KLIPPON RAIL	1
5	TCP-4096-01		51-4107		RAIL AND TERMINAL STRIP SUPPORT BRACKET	1
4	TCP-4096-2		51-4107		SUPPORT BRACKET	2
3	TCP-4095-01		51-4107		UPPER COVER - CONTROL BOX	1
2	TCP-4095-02		51-4107		LOWER COVER - CONTROL BOX	1
1	TCP-4094		51-4107		CONTROL BOX MK2	1

MATERIAL	FINISH	CLEAN & DEBURR
SCALE	1:2	DIMENSIONS IN MM
TOLERANCES	GENERAL: ±0.5	FRACTIONAL: ±0.2
PROFILES	1:0.2	
DRYING	RC	
DATE	16/09/2008	
CHECKED		
DRG NO.	TCP-4070-01 SA	SHEET 1 OF 1
STOCK NO.	TCP-4070-01	SA
DESCRIPTION	CONTROL BOX ASSY - BASIC OPTION	
THRU-HOLE		
STOCK NO.		
SHEET 1 OF 1		
SA		
A2		

UNCONTROLLED DOCUMENT
CHECK FOR AMMENDMENTS BEFORE USE

ISS	DESCRIPTION	DATE
B	INITIAL ISSUE	16/09/2008
C	SEE DCA 00559	10/09/2010

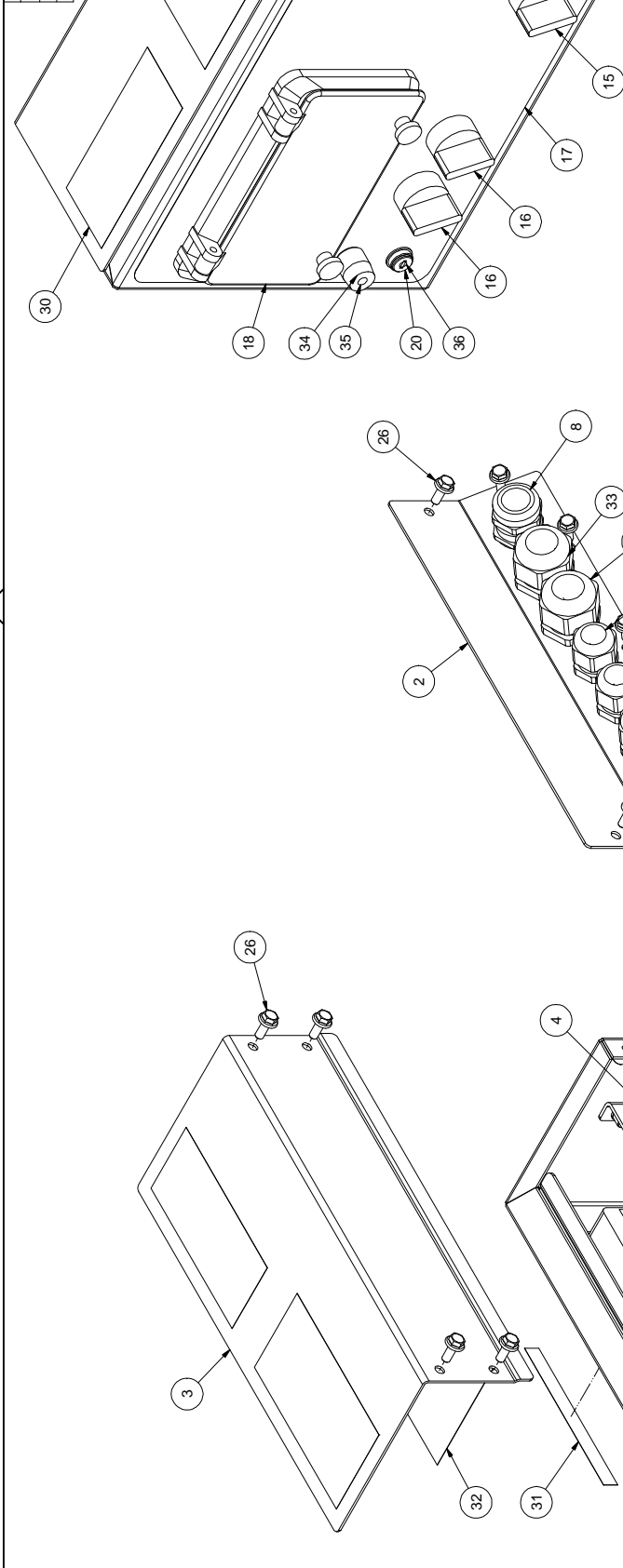


ITEM	DRG. NO.	SCALE	STOCK NO.	KIT	DESCRIPTION	QTY
38	TCP-3447	1:2			20MM BLACKING GROMMET	1
37	TCP-3445				M25 INDEX CABLE GLAND WITH LOCKNUT	3
36	TCP-3442				1 AMP FUSE CARTRIDGE	1
35	TCP-3441				15 AMP FUSE CARTRIDGE	1
34	TCP-3440				15 AMP FUSE HOLDER SLOTTED IP67	1
33	TCP-3006				DECAL, TERMINAL INFORMATION	1
32	TCP-2321-02				DECAL, RDC MCB RELAY	1
31	TCP-1098				DECAL, RCD INFORMATION & TEST	1
30	TCP-1093				DECAL, DANGER FALLING HAZARD	1
29	ISO 7040 - M5				HEX NUT WITH TORQUE PART	2
28	BS 4320 - M5 (FORM A)				BRIGHT METAL WASHER - METRIC SERIES	2
27	DIN 6921 - M5 X 12				HEXAGON FLANGED BOLT	19
26	ISO 7040 - M3				HEX NUT WITH TORQUE PART	6
25	BS 4320 - M3 (FORM A)				BRIGHT METAL WASHER - METRIC SERIES	6
24	ISO 7045 - M3 X 25 - 4.8 - Z				PAN HEAD SCREW - GRADE A	6
23	ISO 7049 - ST 4.2 X 9.5 - C - Z				GROSS RECESSED PAN HEAD TAPPING SCREW	6
22	ISO 7045 - M5 X 12 - 4.8 - Z				PAN HEAD SCREW - GRADE A	2
21	TCP-2822				FUSE HOLDER SLOTTED IP67	1
20	TCP-3002				PROTECTIVE WINDOW COVER 8 WAY - GREY	1
19	TCP-4106				DECAL, CHANGEOVER SWITCH	1
18	TCP-4082				DECAL, CONTROL PANEL	1
17	TCP-2815				SELECTOR SWITCH 2 POSITION	2
16	TCP-2817				SELECTOR SWITCH 3 POSN SPG RET CTR	1
15	TCP-2835				MCB 10A TYPE B	1
14	TCP-2819				TERMINAL BLOCK 12 WAY 21A 275V	3
13	TCP-2836				MCB 6A TYPE D	1
12	TCP-2838				3110 220V RCCB 40AMP 30MA	1
11	TCP-2837				RELAY 2 POLE NO 230V COIL	1
10	TCP-2824				HOUR COUNTER 230V	1
9	TCP-2818				CHANGEOVER SWITCH 3 POLE 32A	1
8	TCP-2137				M25 CABLE GLAND	1
7	TCP-2108				M20 CABLE GLAND WITH LOCKNUT	2
6	TCP-4081				KLIFFON RAIL	1
5	TCP-4096-01				RAIL AND TERMINAL STRIP SUPPORT BRACKET	1
4	TCP-4096-2				SUPPORT BRACKET	2
3	TCP-4095-01				UPPER COVER - CONTROL BOX	1
2	TCP-4095-02				LOWER COVER - CONTROL BOX	1
1	TCP-4094				CONTROL BOX MK2	1

DRWING	RC	DATE	16/09/2008
CHECKED			
DRG NO.	TCP-4070-02 SA	SHEET 1	OF 1
STOCK NO.	TCP-4070-02 SA		
DESCRIPTION	CONTROL BOX ASSY - WITH CHANGEOVER		
ITEM	DRG. NO.	SCALE	STOCK NO.
KIT			
TAYLOR CONSTRUCTION PLANT LTD.			
GARDEN ROAD, WINDSOR, ESSEX, CHW19 5JL			
TEL: 01474 618181 WWW.TCP.CO.UK			
FINISH: CLEAN & DEBURR			
DIMENSIONS IN MM			
GENERAL: 1:5			
PROJ: 1:1			
MATERIAL			

UNCONTROLLED DOCUMENT
CHECK FOR AMMENDMENTS BEFORE USE

ISS	DESCRIPTION	DATE
A	INITIAL ISSUE	10/12/2008
B	SEE DCA 00559	13/09/2010
C	SEE DCA 00561	21/09/2010



ITEM	DRG. NO.	SCALE	STOCK NO.	DESCRIPTION	QTY
1	TCP-3442	1:2	71-0291	1 AMP FUSE CARTRIDGE	1
2	TCP-3441	1:2	70-0334	15 AMP FUSE CARTRIDGE	1
3	TCP-3440	1:2	71-0333	15 AMP FUSE HOLDER SLOTTED IP67	1
4	TCP-3445	1:2	71-3445	M25 INDEX CABLE GLAND WITH LOCKNUT	3
5	TCP-3006	1:2	80-3006	DECAL, TERMINAL INFORMATION	1
6	TCP-2321-02	1:2	80-0348	DECAL, RCD MCB RELAY	1
7	TCP-1098	1:2	80-0048	DECAL, RCD INFORMATION & TEST	1
8	TCP-1093	1:2	80-0043	DECAL, DANGER FALLING HAZARD	1
9	ISO 7040 - M5	1:2	01-0085	HEX NUT WITH TORQUE PART	2
10	BS 4320 - M5 (FORM A)	1:2	02-0013	BRIGHT METAL WASHER - METRIC SERIES	2
11	DIN 6921 - M5 X 12	1:2	01-0205	HEXAGON FLANGED BOLT	19
12	ISO 7040 - M3	1:2	01-0032	HEX NUT WITH TORQUE PART	6
13	BS 4320 - M3 (FORM A)	1:2	02-0017	BRIGHT METAL WASHER - METRIC SERIES	6
14	ISO 7045 - M3 X 25 - 4.8 - Z	1:2	01-0168	PAN HEAD SCREW - GRADE A	6
15	ISO 7049 - ST 4.2 X 9.5 - C - Z	1:2	01-0058	CROSS RECESSED PAN HEAD TAPPING SCREW	6
16	ISO 7045 - M5 X 12 - 4.8 - Z	1:2	01-0083	PAN HEAD SCREW - GRADE A	2
17	TCP-2822	1:2	71-0234	FUSE HOLDER SLOTTED IP67	1
18	TCP-3002	1:2	71-0287	PROTECTIVE WINDOW COVER 8 WAY - GREY	1
19	TCP-4082	1:2	80-4082	DECAL, CONTROL PANEL	1
20	TCP-2815	1:2	71-0232	SELECTOR SWITCH 2 POSITION	2
21	TCP-2817	1:2	71-0233	SELECTOR SWITCH 3 POSN SPG RET CTR	1
22	TCP-3449	1:2	16-0042	MCB 16A TYPE D - DUAL POLE	1
23	TCP-2819	1:2	71-0237	TERMINAL BLOCK 12 WAY 21A 275V	3
24	TCP-3087	1:2	71-0301	MCB 6A TYPE D - DUAL POLE	1
25	TCP-2838	1:2	71-0038	3110 220V/RCCB 40AMP 30MA	1
26	TCP-2837	1:2	71-0243	RELAY 2 POLE NO 230V COIL	1
27	TCP-2824	1:2	71-0238	HOUR COUNTER 230V	1
28	TCP-2137	1:2	28-019	M25 CABLE GLAND	1
29	TCP-2108	1:2	71-0035	M20 CABLE GLAND WITH LOCKNUT	3
30	TCP-4096-01	1:2	71-4081	KLIPON RAIL	1
31	TCP-4096-2	1:2	51-4107	RAIL AND TERMINAL STRIP SUPPORT BRACKET	1
32	TCP-4095-01	1:2	51-4107	SUPPORT BRACKET	2
33	TCP-4095-02	1:2	51-4107	UPPER COVER - CONTROL BOX	1
34	TCP-4094	1:2	51-4107	LOWER COVER - CONTROL BOX	1
35	TCP-4094	1:2	51-4107	CONTROL BOX MK2	1
36	TCP-4094	1:2	51-4107	CONTROL BOX ASSY - BASIC OPTION - DUAL POLE BREAKER	1

ITEM	DRG. NO.	SCALE	STOCK NO.	DESCRIPTION	QTY
1	TCP-4070-03 SA	1:2	51-4107	CONTROL BOX ASSY - BASIC OPTION - DUAL POLE BREAKER	1

UNCONTROLLED DOCUMENT
CHECK FOR AMENDMENTS BEFORE USE

MATERIAL FINISH CLEAN & DEBURR

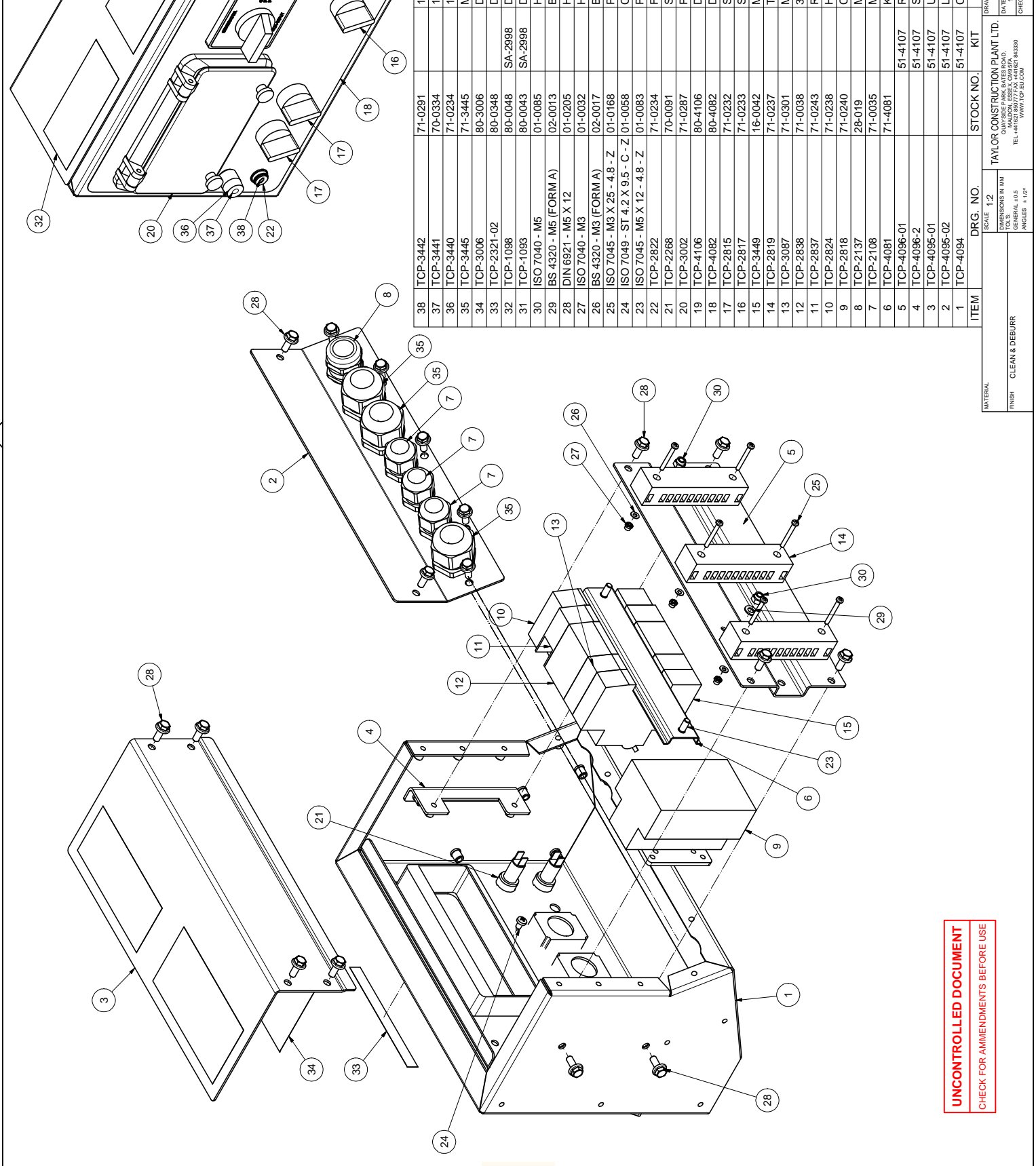
SCALE 1:2
DIMENSIONS IN MM
TOL: GENERAL: 0.5
PRECISE: 0.2
PROF: 1/2

TAYLOR CONSTRUCTION PLANT LTD.
GARDEN ROAD, WALSLEY, ESSEX, CH19 5AU, UK
TEL: +44 (0)1474 710100 FAX: +44 (0)1474 710101
WWW.TCP.CO.UK

DRG. NO. TCP-4070-03 SA SHEET 1 OF 1

DATE: 10/12/2008
DRAWN: CR
CHECKED:

ISS	DESCRIPTION	DATE
A	INITIAL ISSUE	10/12/2008
B	SEE DCA 00559	10/09/2010
C	SEE DCA 00561	21/09/2010



ITEM	DRG. NO.	SCALE	FINISH	STOCK NO.	DESCRIPTION	QTY
38	TCP-3442	1:2	CLEAN & DEBURR	71-0291	1 AMP FUSE CARTRIDGE	1
37	TCP-3441			70-0334	15 AMP FUSE CARTRIDGE	1
36	TCP-3440			71-0234	15 AMP FUSE HOLDER SLOTTED IP67	1
35	TCP-3445			71-3445	M25 INDEX CABLE GLAND WITH LOCKNUT	3
34	TCP-3006			80-3006	DECAL, TERMINAL INFORMATION	1
33	TCP-2321-02			80-0348	DECAL, RDC MCB RELAY	1
32	TCP-1098			80-0048	DECAL, RCD INFORMATION & TEST	1
31	TCP-1093			80-0043	DECAL, DANGER FALLING HAZARD	1
30	ISO 7040 - M5			01-0085	HEX NUT WITH TORQUE PART	2
29	BS 4320 - M5 (FORM A)			02-0013	BRIGHT METAL WASHER - METRIC SERIES	2
28	DIN 6921 - M5 X 12			01-0205	HEXAGON FLANGED BOLT	19
27	ISO 7040 - M3			01-0032	HEX NUT WITH TORQUE PART	6
26	BS 4320 - M3 (FORM A)			02-0017	BRIGHT METAL WASHER - METRIC SERIES	6
25	ISO 7045 - M3 X 25 - 4.8 - Z			01-0168	PAN HEAD SCREW - GRADE A	6
24	ISO 7049 - ST 4.2 X 9.5 - C - Z			01-0058	CROSS RECESSED PAN HEAD TAPPING SCREW	6
23	ISO 7045 - M5 X 12 - 4.8 - Z			01-0083	PAN HEAD SCREW - GRADE A	2
22	TCP-2822			71-0234	FUSE HOLDER SLOTTED IP67	1
21	TCP-2268			70-0091	SPACER, FUSE HOLDER	2
20	TCP-3002			71-0287	PROTECTIVE WINDOW COVER 8 WAY - GREY	1
19	TCP-4106			80-4106	DECAL, CHANGEOVER SWITCH	1
18	TCP-4082			80-4082	DECAL, CONTROL PANEL	1
17	TCP-2815			71-0232	SELECTOR SWITCH 2 POSITION	2
16	TCP-2817			71-0233	SELECTOR SWITCH 3 POSN SPG RET CTR	1
15	TCP-3449			16-0042	MCB 16A TYPE D - DUAL POLE	1
14	TCP-2819			71-0237	TERMINAL BLOCK 12 WAY 21A 275V	3
13	TCP-3087			71-0301	MCB 6A TYPE D - DUAL POLE	1
12	TCP-2838			71-0038	3110 220V RCCB 40AMP 30MA	1
11	TCP-2837			71-0243	RELAY 2 POLE NO 230V COIL	1
10	TCP-2824			71-0238	HOUR COUNTER 230V	1
9	TCP-2818			71-0240	CHANGEOVER SWITCH 3 POLE 32A	1
8	TCP-2137			28-019	M25 CABLE GLAND	1
7	TCP-2108			71-0035	M20 CABLE GLAND WITH LOCKNUT	3
6	TCP-4081			71-4081	KLIPPON RAIL	1
5	TCP-4096-01			51-4107	RAIL AND TERMINAL STRIP SUPPORT BRACKET	1
4	TCP-4096-2			51-4107	SUPPORT BRACKET	2
3	TCP-4095-01			51-4107	UPPER COVER - CONTROL BOX	1
2	TCP-4095-02			51-4107	LOWER COVER - CONTROL BOX	1
1	TCP-4094			51-4107	CONTROL BOX MK2	1

ITEM	DRG. NO.	SCALE	FINISH	STOCK NO.	DESCRIPTION	QTY
		1:2	CLEAN & DEBURR		CONTROL BOX ASSY - WITH CHANGEOVER - DUAL POLE BREAKER	

UNCONTROLLED DOCUMENT
CHECK FOR AMMENDMENTS BEFORE USE

MATERIAL: TAYLOR CONSTRUCTION PLANT LTD.
DIMENSIONS IN MM
GENERAL: 1:5
PROJECT: 1/12

DATE: 10/12/2008
DRAWN: CR
CHECKED: []

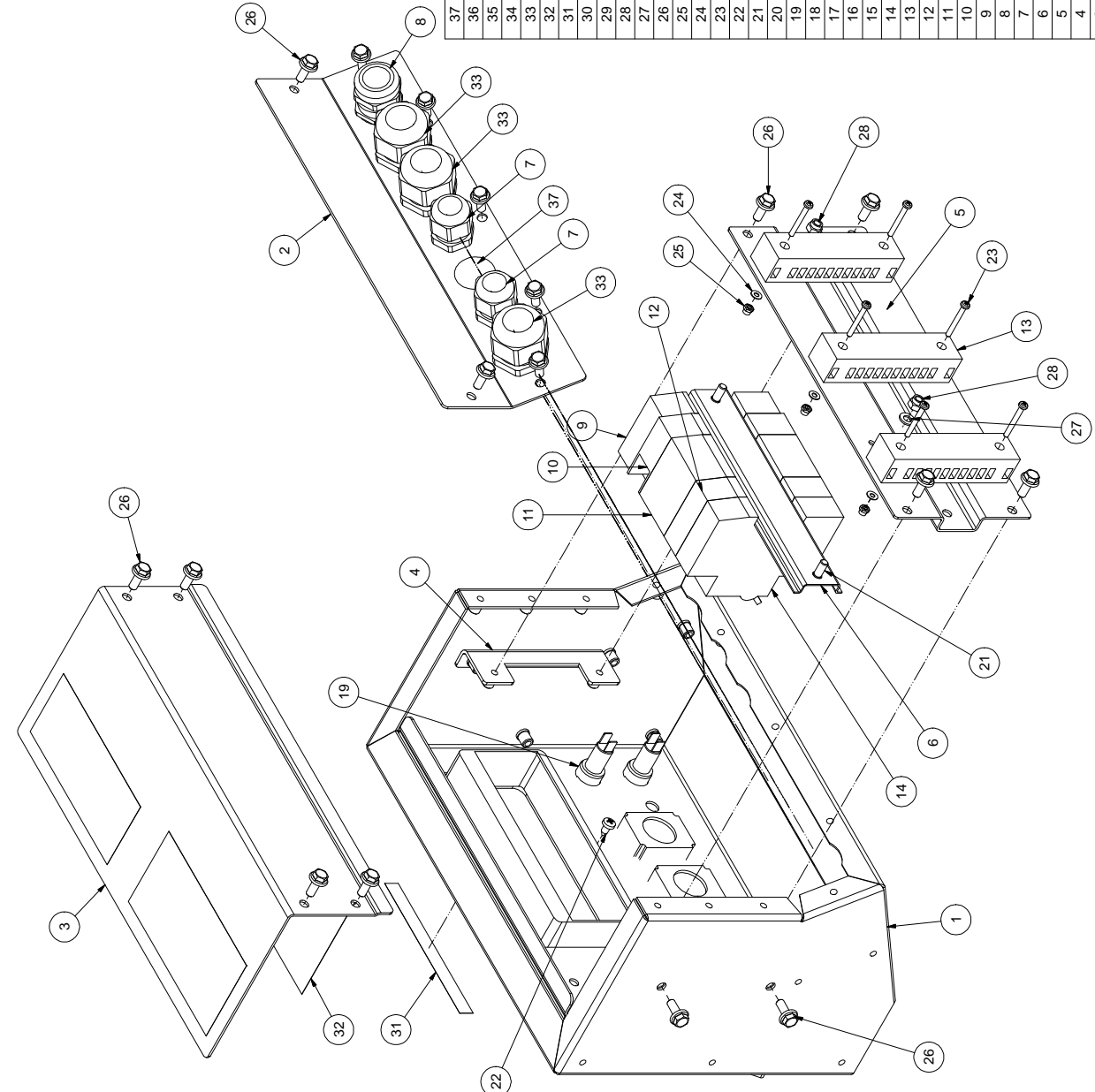
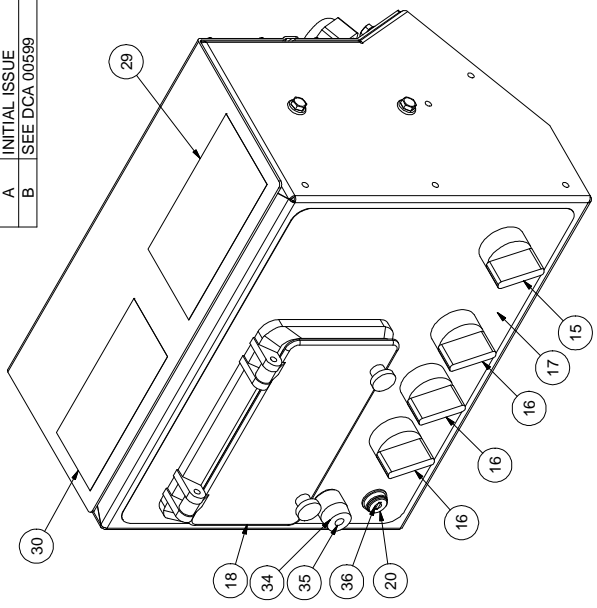
DRG. NO.: TCP-4070-04 SA
SHEET 1 OF 1

STOCK NO.: TCP-4070-04 SA

DATE: 10/12/2008

DRG. NO.: TCP-4070-04 SA
SHEET 1 OF 1

ISS	DESCRIPTION	DATE
A	INITIAL ISSUE	02/09/2009
B	SEE DCA 00599	10/09/2010



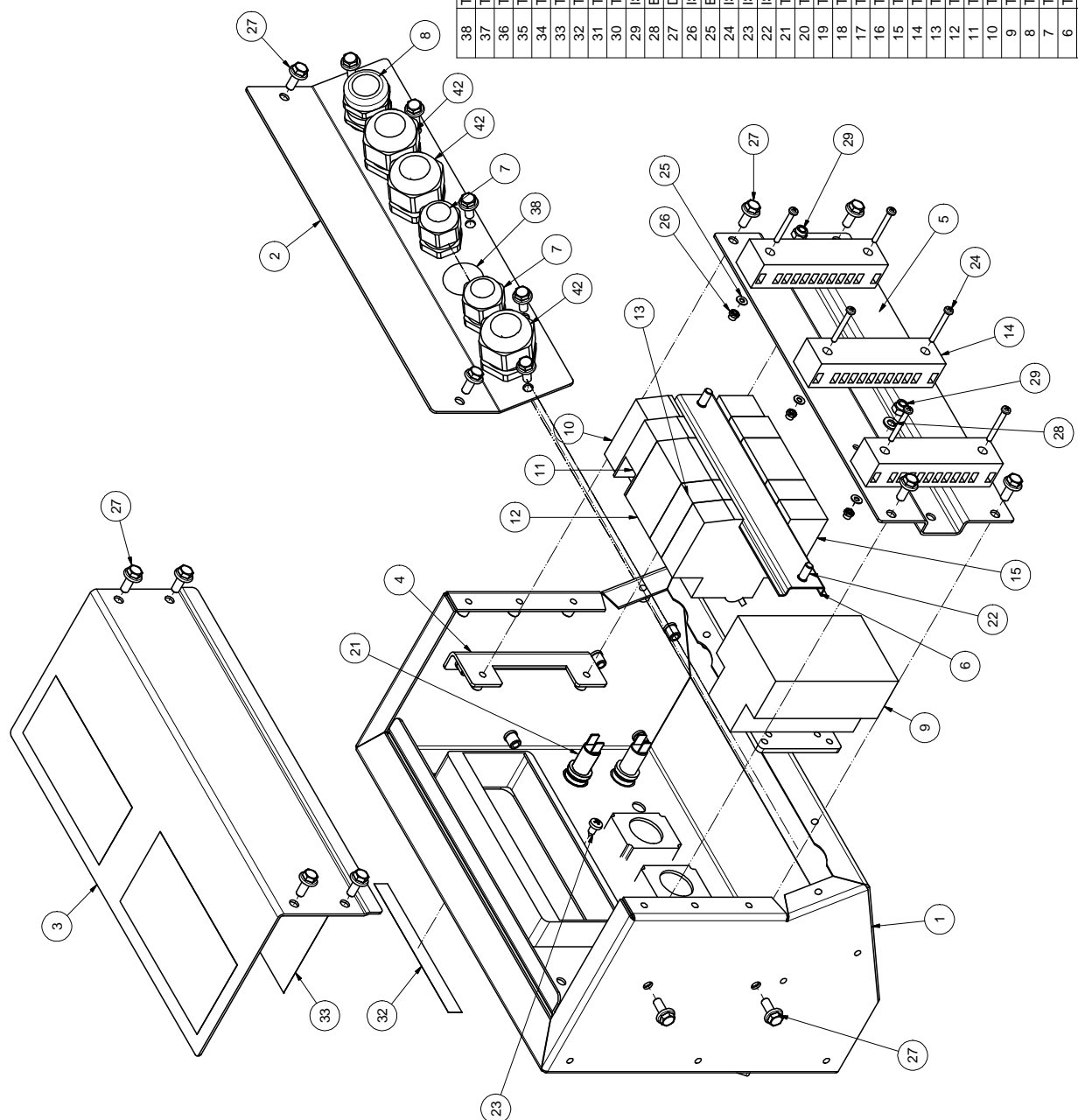
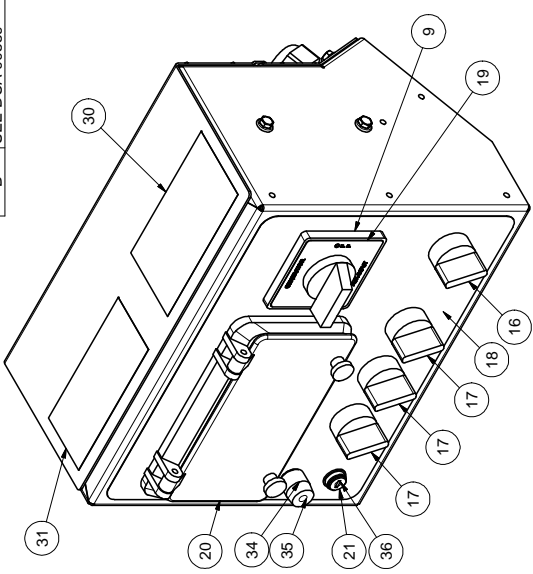
ITEM	DRG. NO.	SCALE	STOCK NO.	KIT	DESCRIPTION	QTY
37	TCP-3447	1:2	03-0026		20MM BLACKING GROMMET	1
36	TCP-3442		71-0291		1 AMP FUSE CARTRIDGE	1
35	TCP-3441		70-0334		15 AMP FUSE CARTRIDGE	1
34	TCP-3440		71-0234		15 AMP FUSE HOLDER SLOTTED IP67	1
33	TCP-3445		71-3445		M25 INDEX CABLE GLAND WITH LOCKNUT	3
32	TCP-3006		80-3006		DECAL, TERMINAL INFORMATION	1
31	TCP-2321-02		80-0348	SA-2998	DECAL, RCD MCB RELAY	1
30	TCP-1098		80-0048	SA-2998	DECAL, RCD INFORMATION & TEST	1
29	TCP-1093		80-0043	SA-2998	DECAL, DANGER FALLING HAZARD	1
28	ISO 7040 - M5		01-0085		HEX NUT WITH TORQUE PART	2
27	BS 4320 - M5 (FORM A)		02-0013		BRIGHT METAL WASHER - METRIC SERIES	2
26	DIN 6921 - M5 X 12		01-0205		HEXAGON FLANGED BOLT	19
25	ISO 7040 - M3		01-0032		HEX NUT WITH TORQUE PART	6
24	BS 4320 - M3 (FORM A)		02-0017		BRIGHT METAL WASHER - METRIC SERIES	6
23	ISO 7045 - M3 X 25 - 4.8 - Z		01-0168		PAN HEAD SCREW - GRADE A	6
22	ISO 7049 - ST 4.2 X 9.5 - C - Z		01-0058		GROSS RECESSED PAN HEAD TAPPING SCREW	6
21	ISO 7045 - M5 X 12 - 4.8 - Z		01-0083		PAN HEAD SCREW - GRADE A	2
20	TCP-2822		71-0234		FUSE HOLDER SLOTTED IP67	1
19	TCP-2268		70-0091		SPACER, FUSE HOLDER	2
18	TCP-3002		71-0287		PROTECTIVE WINDOW COVER 8 WAY - GREY	1
17	TCP-4082		80-4082		DECAL, CONTROL PANEL	1
16	TCP-2815		71-0232		SELECTOR SWITCH 2 POSITION	3
15	TCP-2817		71-0233		SELECTOR SWITCH 3 POSN SPG RET CTR	1
14	TCP-2835		71-0241		MCB 10A TYPE B	1
13	TCP-2819		71-0237		TERMINAL BLOCK 12 WAY 21A 275V	3
12	TCP-2836		71-0242		MCB 6A TYPE D	1
11	TCP-2838		71-0038		3110 220V RCCB 40AMP 30MA	1
10	TCP-2837		71-0243		RELAY 2 POLE NO 230V COIL	1
9	TCP-2824		71-0238		HOUR COUNTER 230V	1
8	TCP-2137		28-019		M25 CABLE GLAND	1
7	TCP-2108		71-0035		M20 CABLE GLAND WITH LOCKNUT	2
6	TCP-4081		71-4081		KLIPPON RAIL	1
5	TCP-4096-01		51-4107		RAIL AND TERMINAL STRIP SUPPORT BRACKET	1
4	TCP-4096-2		51-4107		SUPPORT BRACKET	2
3	TCP-4095-01		51-4107		UPPER COVER - CONTROL BOX	1
2	TCP-4095-02		51-4107		LOWER COVER - CONTROL BOX	1
1	TCP-4094		51-4107		CONTROL BOX MK2	1

DRAWN	RC	TITLE	CONTROL BOX ASSY - 3 SWITCH
DATE	10/09/2008	DRG NO.	TCP-4070-05 SA
CHECKED		SHEET 1	STOCK NO SA-4070-05
		OF	1

MATERIAL	SCALE	1:2	STOCK NO.	KIT	DESCRIPTION	QTY
FINISH	EMERSONS IN MM					
	TOL:					
	GENERAL: 0.5					
	PROCS: 1/12					

UNCONTROLLED DOCUMENT
CHECK FOR AMENDMENTS BEFORE USE

ISS	DESCRIPTION	DATE
A	INITIAL ISSUE	02/09/2009
B	SEE DCA.00559	14/09/2010



ITEM	DRG. NO.	SCALE	STOCK NO.	KIT	DESCRIPTION	QTY
38	TCP-3447	1:2			20MM BLACKING GROMMET	1
37	TCP-3445				M25 INDEX CABLE GLAND WITH LOCKNUT	3
36	TCP-3442				1 AMP FUSE CARTRIDGE	1
35	TCP-3441				15 AMP FUSE CARTRIDGE	1
34	TCP-3440				15 AMP FUSE HOLDER SLOTTED IP67	1
33	TCP-3006				DECAL, TERMINAL INFORMATION	1
32	TCP-2321-02				DECAL, RDC MCB RELAY	1
31	TCP-1098				DECAL, RCD INFORMATION & TEST	1
30	TCP-1093				DECAL, DANGER FALLING HAZARD	1
29	ISO 7040 - M5				HEX NUT WITH TORQUE PART	2
28	BS 4320 - M5 (FORM A)				BRIGHT METAL WASHER - METRIC SERIES	2
27	DIN 6921 - M5 X 12				HEXAGON FLANGED BOLT	19
26	ISO 7040 - M3				HEX NUT WITH TORQUE PART	6
25	BS 4320 - M3 (FORM A)				BRIGHT METAL WASHER - METRIC SERIES	6
24	ISO 7045 - M3 X 25 - 4.8 - Z				PAN HEAD SCREW - GRADE A	6
23	ISO 7049 - ST 4.2 X 9.5 - C - Z				GROSS RECESSED PAN HEAD TAPPING SCREW	6
22	ISO 7045 - M5 X 12 - 4.8 - Z				PAN HEAD SCREW - GRADE A	2
21	TCP-2822				FUSE HOLDER SLOTTED IP67	2
20	TCP-3002				PROTECTIVE WINDOW COVER 8 WAY - GREY	1
19	TCP-4106				DECAL, CHANGEOVER SWITCH	1
18	TCP-4082				DECAL, CONTROL PANEL	1
17	TCP-2815				SELECTOR SWITCH 2 POSITION	3
16	TCP-2817				SELECTOR SWITCH 3 POSN SPG RET CTR	1
15	TCP-2835				MCB 10A TYPE B	1
14	TCP-2819				TERMINAL BLOCK 12 WAY 21A 275V	3
13	TCP-2836				MCB 6A TYPE D	1
12	TCP-2838				3110 220V RCCB 40AMP 30MA	1
11	TCP-2837				RELAY 2 POLE NO 230V COIL	1
10	TCP-2824				HOUR COUNTER 230V	1
9	TCP-2818				CHANGEOVER SWITCH 3 POLE 32A	1
8	TCP-2137				M25 CABLE GLAND	1
7	TCP-2108				M20 CABLE GLAND WITH LOCKNUT	2
6	TCP-4081				KLIPPON RAIL	1
5	TCP-4096-01				RAIL AND TERMINAL STRIP SUPPORT BRACKET	1
4	TCP-4096-2				SUPPORT BRACKET	2
3	TCP-4095-01				UPPER COVER - CONTROL BOX	1
2	TCP-4095-02				LOWER COVER - CONTROL BOX	1
1	TCP-4094				CONTROL BOX MK2	1

DRWN	CDR	TITLE	DESCRIPTION	QTY
DATE	DATE	CONTROL BOX ASSY - 3 SWITCH & CHANGEOVER		
16/09/2008	16/09/2008			
CHECKED		DRG NO.	TCP-4070-06 SA	SHEET 1 OF 1
		STOCK NO.		SA-4070-06

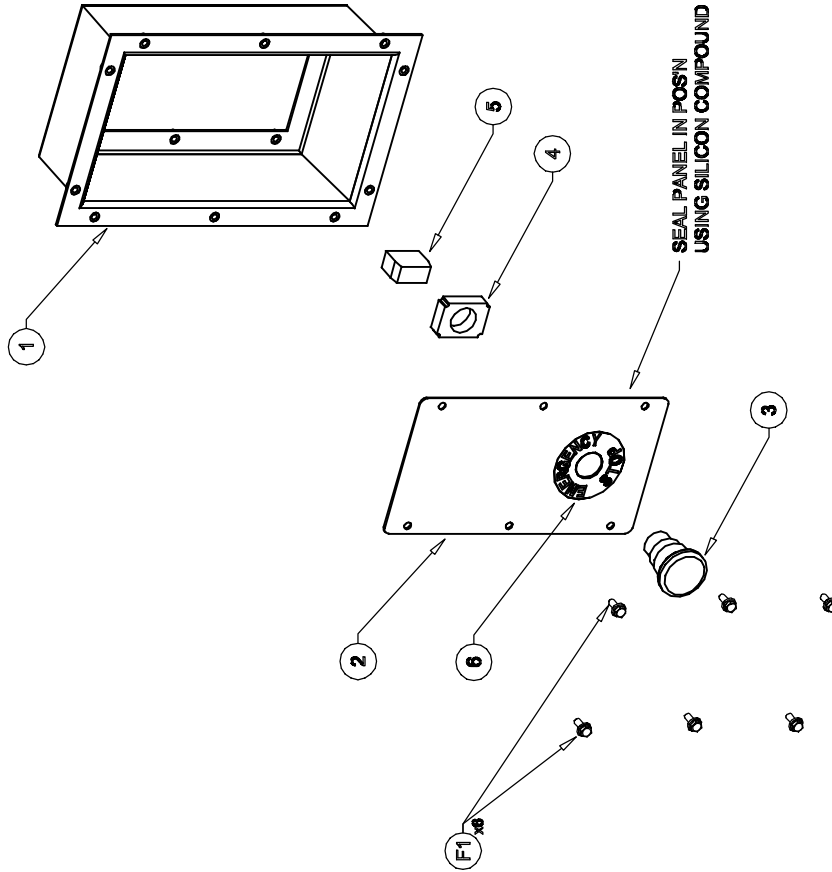
UNCONTROLLED DOCUMENT
CHECK FOR AMENDMENTS BEFORE USE

MATERIAL FINISH: CLEAN & DEBURR

SCALE: 1:2

EMERSONS IN MM
TOL: GENERAL: 0.5
PROLES: 1/12

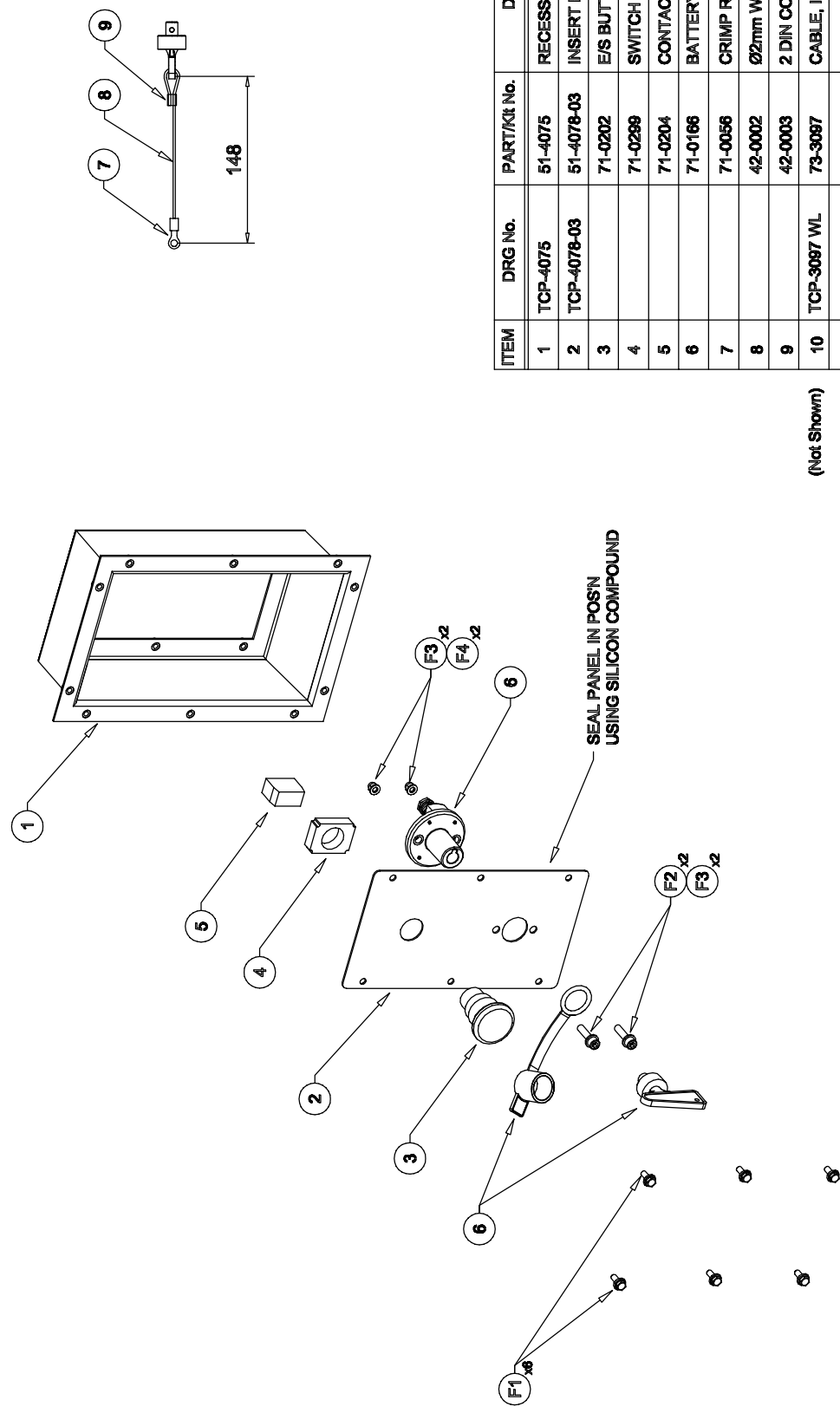
TAYLOR CONSTRUCTION PLANT LTD.
GALVAZOR, ESSEX, CH49 5PA
TEL: 01473 612111 WWW.TCP.CO.UK



ITEM	DRG No.	PART/KIT No.	DESCRIPTION	QTY
1	TCP-4075	51-4075	RECESSED PANEL	1
2	TCP-4078-03	51-4078-02	INSERT PLATE E/S	1
3		71-0202	E/S BUTTON (TWIST RELEASE)	1
4		71-0288	SWITCH BASE	1
5		71-0204	CONTACT BLOCK I/C	1
6	TCP-1658	80-1658	DECAL, EMERGENCY STOP	1
F1		01-0205	M5 x 12 FLANGE HEAD BOLT	6

UNCONTROLLED DOCUMENT
CHECK FOR AMENDMENTS BEFORE USE

DIMENSIONS IN mm		MATERIAL		FINISH		TOLERANCES		DIMENSIONS IN mm		TITLE		DRN	
SCALE	1:4	SEE PIECE PARTS		CLEAN & DEBURR		GENERAL		EMERGENCY STOP ASSY		EMCOLITE-P		CHKD	
HOLE Ø	F8					±0.25						DATE	
ANGLES	±0.5°					HOLE CTR&POS						01.06.2009	
TAYLOR CONSTRUCTION PLANT LTD.												SA-4123-01	
CLAYBIDE PARK, BATES ROAD, MALDON, ESSEX, CM8 5FA												1 of 1	
TEL: +44(0)1621 808777 FAX: +44(0)1621 843880												SA-4123-01	
WWW.TCP.EU.COM												DATE	

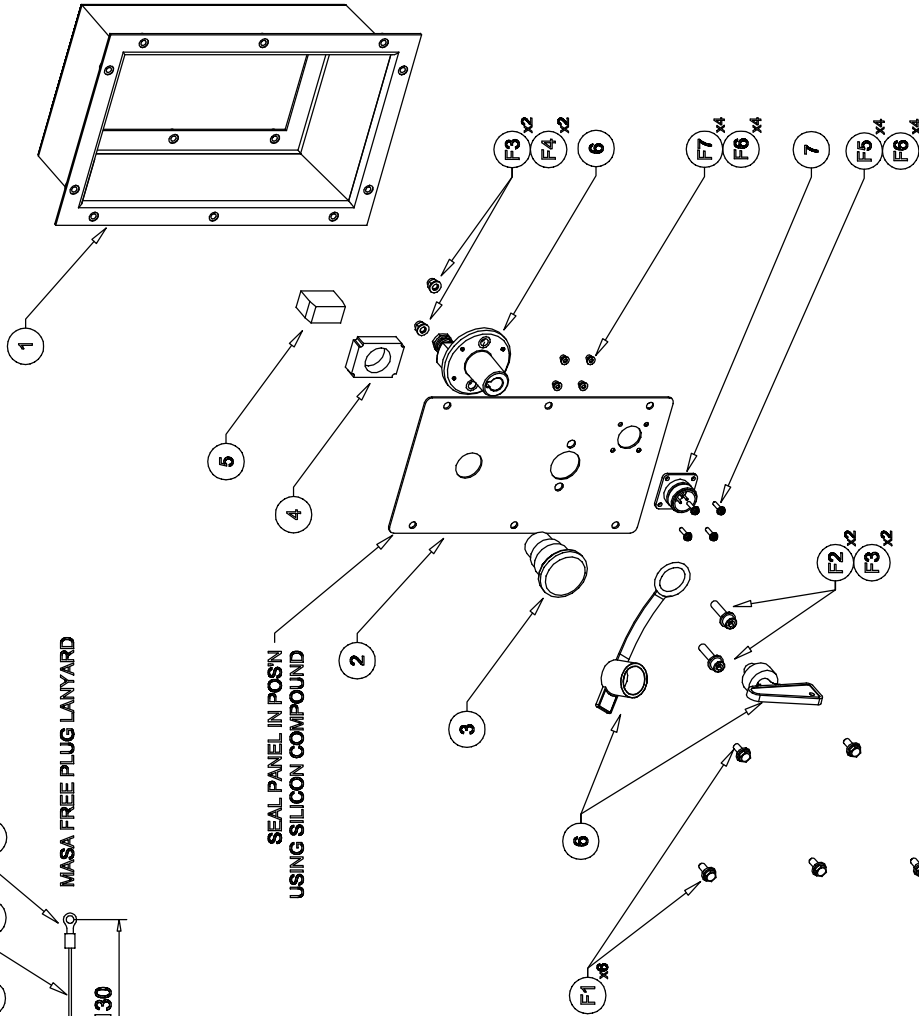
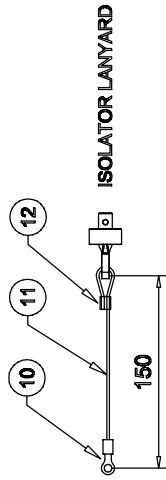
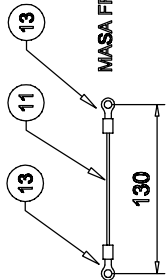


ITEM	DRG No.	PART/KIT No.	DESCRIPTION	QTY
1	TCP-4075	51-4075	RECESSED PANEL	1
2	TCP-4078-03	51-4078-03	INSERT PLATE E/S & ISOLATOR	1
3		71-0202	E/S BUTTON (TWIST RELEASE)	1
4		71-0289	SWITCH BASE	1
5		71-0204	CONTACT BLOCK NC	1
6		71-0166	BATTERY ISOLATOR	1
7		71-0056	CRIMP RING TERMINAL M6 BLUE	1
8		42-0002	Ø2mm WIRE ROPE ST/ST	0.16m
9		42-0003	2 DIN COPPER FERRULE	1
10	TCP-3087 WL	73-3087	CABLE, ISOLATOR TO PUMP	1
F1		01-0205	M5 x 12 FLANGE HEAD BOLT	6
F2		01-0045	M6 x 25 SKT HD SCREW	2
F3		02-0004	M6 WASHER	2
F4		01-0017	M6 NYLOC NUT	2

(Not Shown)

UNCONTROLLED DOCUMENT
CHECK FOR AMENDMENTS BEFORE USE

ISS	DESCRIPTION	CHKD	DATE	A	B	C	D	E	F	G	H																								
B	SEE DCA 00877	01/12																																	
A	INITIAL ISSUE	08/09																																	
				<table border="1" style="width: 100%;"> <tr> <td colspan="4">TAYLOR CONSTRUCTION PLANT LTD.</td> </tr> <tr> <td colspan="4">QUAYSIDE PARK, BATES ROAD, MALDON, ESSEX, CH8 8FA</td> </tr> <tr> <td colspan="4">TEL: +44 (0)1627 753444 FAX: +44 (0)1627 848880</td> </tr> <tr> <td colspan="4">WWW.TCP.EU.COM</td> </tr> </table>								TAYLOR CONSTRUCTION PLANT LTD.				QUAYSIDE PARK, BATES ROAD, MALDON, ESSEX, CH8 8FA				TEL: +44 (0)1627 753444 FAX: +44 (0)1627 848880				WWW.TCP.EU.COM											
TAYLOR CONSTRUCTION PLANT LTD.																																			
QUAYSIDE PARK, BATES ROAD, MALDON, ESSEX, CH8 8FA																																			
TEL: +44 (0)1627 753444 FAX: +44 (0)1627 848880																																			
WWW.TCP.EU.COM																																			
				<table border="1" style="width: 100%;"> <tr> <td colspan="4">TITLE: E/STOP & BATTERY ISOLATOR ASSY</td> </tr> <tr> <td colspan="4">ECOLITE-P</td> </tr> <tr> <td colspan="4">DWG No. TCP-4123-02 SA</td> </tr> <tr> <td colspan="4">Sht. 1 of 1</td> </tr> <tr> <td colspan="4">BTK No. SA-4123-02</td> </tr> <tr> <td colspan="4">DATE 01.06.2009</td> </tr> </table>								TITLE: E/STOP & BATTERY ISOLATOR ASSY				ECOLITE-P				DWG No. TCP-4123-02 SA				Sht. 1 of 1				BTK No. SA-4123-02				DATE 01.06.2009			
TITLE: E/STOP & BATTERY ISOLATOR ASSY																																			
ECOLITE-P																																			
DWG No. TCP-4123-02 SA																																			
Sht. 1 of 1																																			
BTK No. SA-4123-02																																			
DATE 01.06.2009																																			



ITEM	DRG No.	PART/KIT No.	DESCRIPTION	QTY
1	TCP-4075	51-4075	RECESSED PANEL	1
2	TCP-4078-04	51-4078-04	INSERT PLATE E/S, ISO & MSAS	1
3		71-0202	E/S BUTTON (TWIST RELEASE)	1
4		71-0289	SWITCH BASE	1
5		71-0204	CONTACT BLOCK INC	1
6		71-0166	BATTERY ISOLATOR	1
7		70-3088	MSAS 3 WAY FIXED PLUG	1
8	(Not Shown)	70-3089	MSAS 3 WAY FREE PLUG	1
9	(Not Shown)	70-3090	MSAS 3 WAY CABLE CLAMP	1
10		71-0056	CRIMP RING TERMINAL M6 BLUE	1
11		42-0002	Ø2mm WIRE ROPE ST/ST	0.28M
12		42-0003	2 DIN COPPER FERRULE	1
13		70-0199	CRIMP RING TERMINAL M4 BLUE	2
14	(Not Shown)		SINGLE CORE CABLE, 2mm² RED	0.4M
15	(Not Shown)	70-0205	CRIMP BUTT TERM 4.8mm BLUE	1
16	(Not Shown)	71-0074	CRIMP BOOTLACE FERRULE BLUE	1
F1		01-0205	M5 x 12 FLANGE HEAD BOLT	6
F2		01-0045	M6 x 25 SKT HD SCREW	2
F3		02-0004	M6 WASHER	2
F4		01-0017	M6 NYLOC NUT	2
F5		01-0031	M3 x 12 POZI PAN HD SCREW	4
F6		02-0017	M3 WASHER	8
F7		01-0032	M3 NYLOC NUT	4

UNCONTROLLED DOCUMENT
CHECK FOR AMENDMENTS BEFORE USE

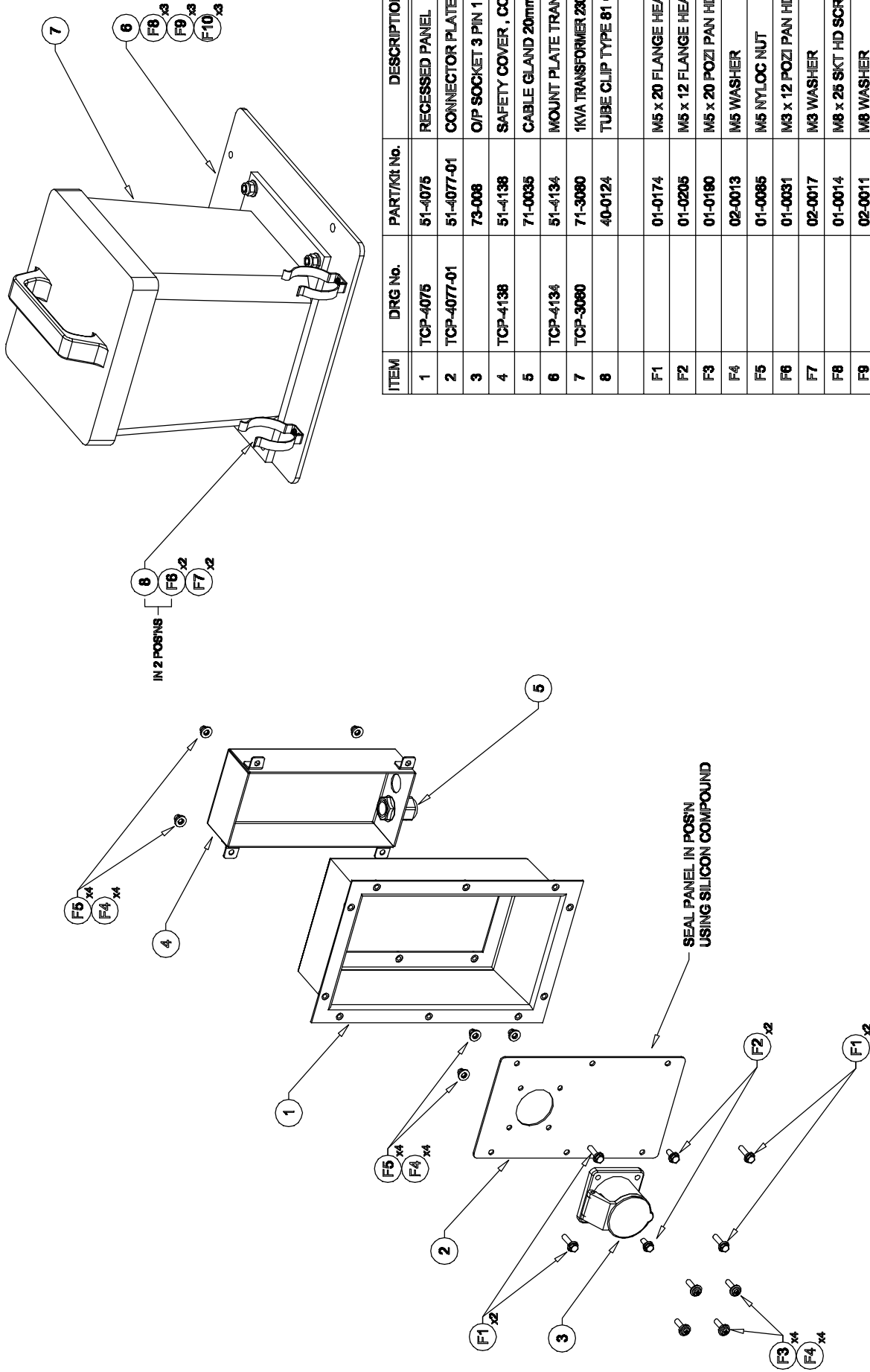
ISS		DESCRIPTION		CHKD	DATE
B	SEE DCA 00878				
A	INITIAL ISSUE				

DIMENSIONS IN mm	
SCALE	1:4
TOL'S: GENERAL	±0.25
HOLE CTRS/POSNS	±0.2
HOLE Ø	±0.18
ANGLES	±0.5°

MATERIALS	
MATL.	SEE PIECE PARTS
FINISH	CLEAN & DEBURR

TAYLOR CONSTRUCTION PLANT LTD.	
QUAYSIDE PARK, BATES ROAD, MALDON, ESSEX, CH10 8FA	
TEL: +44 (0)1627 753441 EXT 648880	
WWW.TCP.EU.COM	

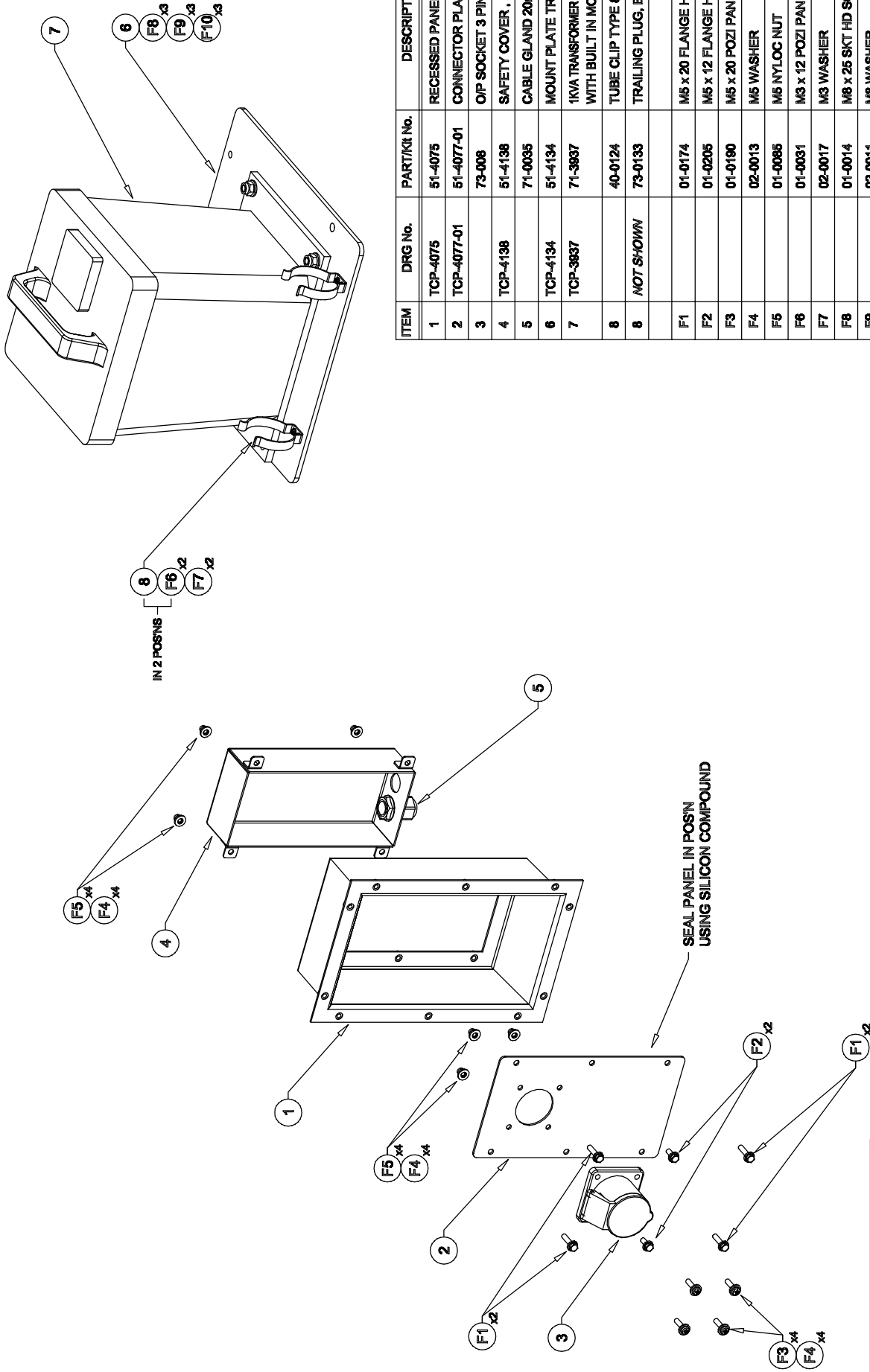
TITLE: E/STOP, BATTERY ISOLATOR & MSAS ASSY. ECOLITE-P	
DWG No. TCP-4123-03 SA	Sheet 1 of 1
DRN	GAN
CHKD	
APPD	
DATE	18.01.2012



ITEM	DRG No.	PART/KIT No.	DESCRIPTION	QTY
1	TCP-4075	51-4075	RECESSED PANEL	1
2	TCP-4077-01	51-4077-01	CONNECTOR PLATE, O/P 110V	1
3		73-008	O/P SOCKET 3 PIN 110v - YELLOW	1
4	TCP-4138	51-4138	SAFETY COVER , CONNECTORS	1
5		71-0035	CABLE GLAND 20mm	1
6	TCP-4134	51-4134	MOUNT PLATE TRANSFORMER	1
7	TCP-3080	71-3080	1KVA TRANSFORMER 230v TO 110v CTE	1
8		40-0124	TUBE CLIP TYPE 81 OPEN	2
F1		01-0174	M5 x 20 FLANGE HEAD BOLT	4
F2		01-0205	M5 x 12 FLANGE HEAD BOLT	2
F3		01-0180	M5 x 20 POZI PAN HD SCREW	4
F4		02-0013	M5 WASHER	12
F5		01-0085	M5 NYLOC NUT	8
F6		01-0031	M3 x 12 POZI PAN HD SCREW	4
F7		02-0017	M3 WASHER	4
F8		01-0014	M8 x 25 SKT HD SCREW	3
F9		02-0011	M8 WASHER	3
F10		01-0007	M8 NYLOC NUT	3

UNCONTROLLED DOCUMENT
CHECK FOR AMENDMENTS BEFORE USE

MATERIAL		SEE PIECE PARTS	DIMENSIONS IN		TAYLOR CONSTRUCTION PLANT LTD.		TITLE:		DRN	GAN
			mm	1:4	CLAYBIDE PARK, BATES ROAD, MALDON, ESSEX, CM8 5FA TEL: +44(0)1629 533441 FAX: +44(0)1629 533880 WWW.TCP.EU.COM		OUTLET PANEL ASSY, 110V CTE OUTPUT ECOLITE-P		CHKD	
FINISH		CLEAN & DEBURR	TOL'S:	GENERAL			DWG No. TCP-4124-01 SA		APPD	DATE
HOLE Ø				±0.25			Sht. 1 of 1			27.05.2009
ANGLES				F8			SA-4124-01			
				±0.5						

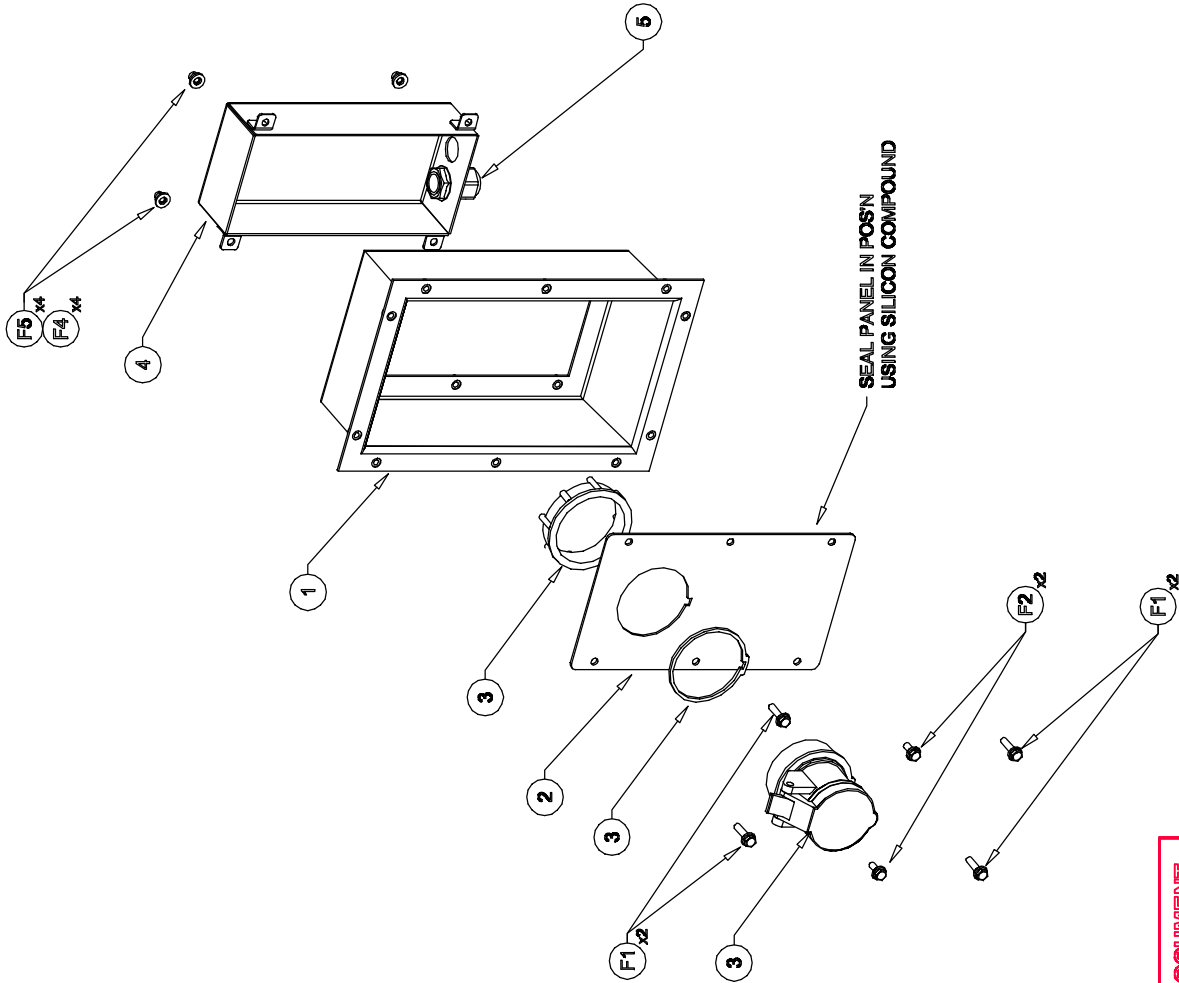


ITEM	DRG No.	PART/Kit No.	DESCRIPTION	QTY
1	TCP-4075	51-4075	RECESSED PANEL	1
2	TCP-4077-01	51-4077-01	CONNECTOR PLATE, OP 110V	1
3		73-008	OP SOCKET 3 PIN 110v - YELLOW	1
4	TCP-4138	51-4138	SAFETY COVER, CONNECTORS	1
5		71-0035	CABLE GLAND 20mm	1
6	TCP-4134	51-4134	MOUNT PLATE TRANSFORMER	1
7	TCP-3837	71-3837	1KVA TRANSFORMER 230v TO 110v CTE WITH BUILT IN MCB	1
8		40-0124	TUBE CLIP TYPE 81 OPEN	2
8	NOT SHOWN	73-0133	TRAILING PLUG, BLUE 220V 16A	1
F1		01-0174	M5 x 20 FLANGE HEAD BOLT	4
F2		01-0205	M5 x 12 FLANGE HEAD BOLT	2
F3		01-0190	M5 x 20 POZI PAN HD SCREW	4
F4		02-0013	M5 WASHER	12
F5		01-0085	M5 NYLOC NUT	8
F6		01-0031	M3 x 12 POZI PAN HD SCREW	4
F7		02-0017	M3 WASHER	4
F8		01-0014	M8 x 25 SKT HD SCREW	3
F9		02-0011	M8 WASHER	3
F10		01-0007	M8 NYLOC NUT	3

UNCONTROLLED DOCUMENT
CHECK FOR AMENDMENTS BEFORE USE

ISS		A		B		C		D		E		F		G		H	
INITIAL ISSUE	DESCRIPTION	CHKD	DATE														
			02/13														
<p style="text-align: center;">TAYLOR CONSTRUCTION PLANT LTD. QUAYSIDE PARK, BATES ROAD, MALDON, ESSEX, CH10 8FA TEL: +44 (0)1627 800777 FAX: +44 (0)1627 846880 WWW.TCP.EU.COM</p>																	
<p style="text-align: center;">TITLE: OUTLET PANEL ASSY, 110V CTE WITH MCB ECOLITE-P</p>																	
<p style="text-align: center;">DWG No. TCP-4277-01 SA Sht. 1 of 1 SKT No. SA-4277-01 DRN GAN APPD DATE CHKD APPD DATE 25.02.2013</p>																	

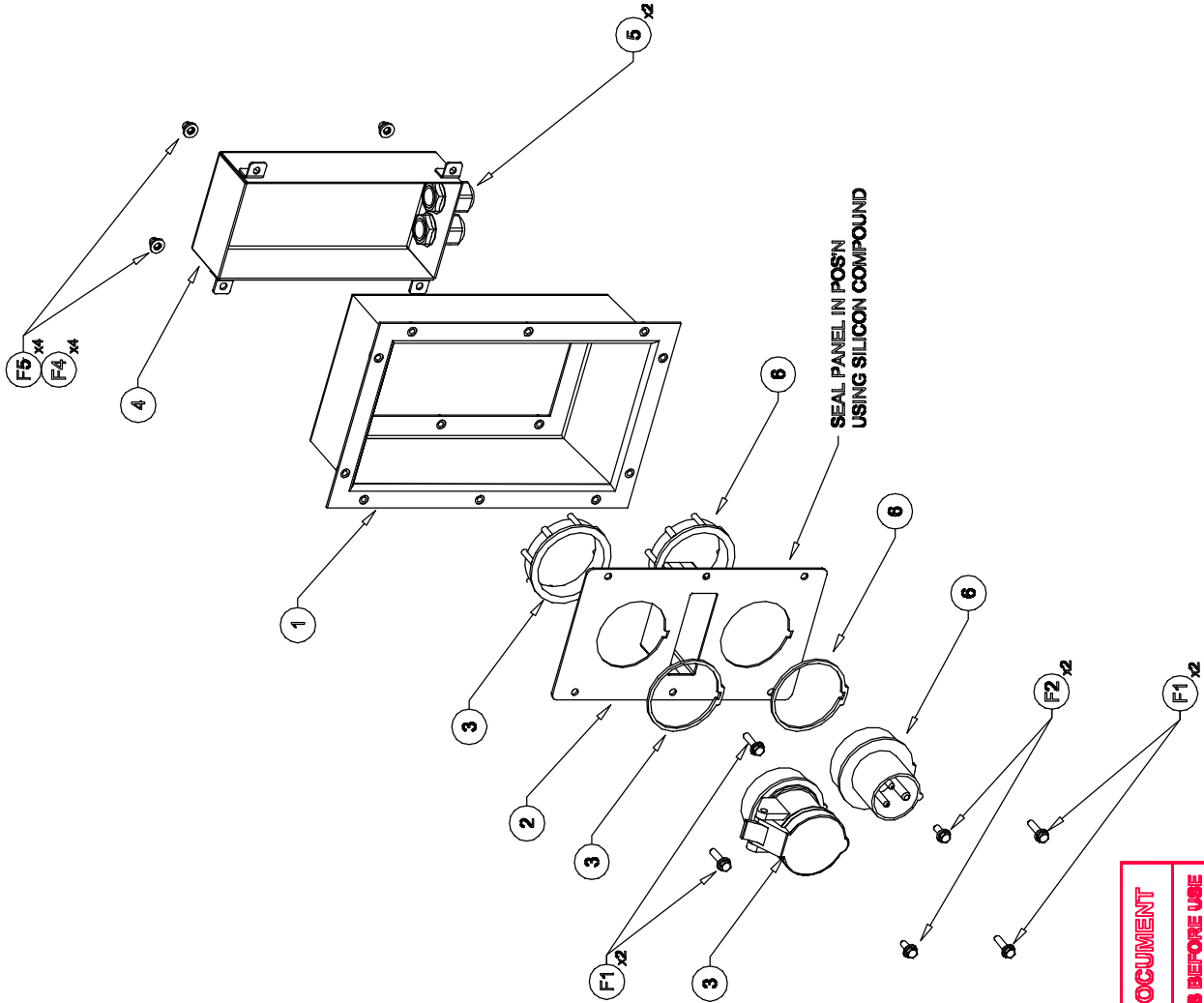
THIRD ANGLE PROJECTION



ITEM	DRG No.	PART/Kit No.	DESCRIPTION	QTY
1	TCP-4075	51-4075	RECESSED PANEL	1
2	TCP-4077-04	51-4077-04	CONNECTOR PLATE, O/P 220V	1
3		71-0236	OUTLET SOCKET RAPIDO 220V 16A	1
4	TCP-4138	51-4138	SAFETY COVER , CONNECTORS	1
5		71-0035	CABLE GLAND 20mm	1
F1		01-0174	M5 x 20 FLANGE HEAD BOLT	4
F2		01-0205	M5 x 12 FLANGE HEAD BOLT	2
F3		01-0190	M5 x 20 POZI PAN HD SCREW	4
F4		02-0013	M5 WASHER	4
F5		01-0085	M5 NYLOC NUT	4

TAYLOR CONSTRUCTION PLANT LTD. CLAYBIDE PARK, BATES ROAD, MALDON, ESSEX, CM8 5FA TEL: +44(0)1627 753444(EXT 140380) WWW.TCP.EU.COM		TITLE: OUTLET PANEL ASSY, 220V OUTPUT ECOLITE-P		DRN GAN
DIMENSIONS IN mm		SCALE 1:4		CHKD
TOLS: GENERAL		TOL: ±0.25		APPD
HOLE CTR&POSNS		HOLE Ø ±0.2		DATE
ANGLES		F8 ±0.5°		SA-4124-02
MATERIAL: SEE PIECE PARTS		FINISH: CLEAN & DEBURR		SKT No.
INITIAL ISSUE		ISS DATE		SA-4124-02
DESCRIPTION		CHKD DATE		Sh. 1 of 1
UNCONTROLLED DOCUMENT		CHECK FOR AMENDMENTS BEFORE USE		DWG No. TCP-4124-02 SA

THIRD ANGLE PROJECTION

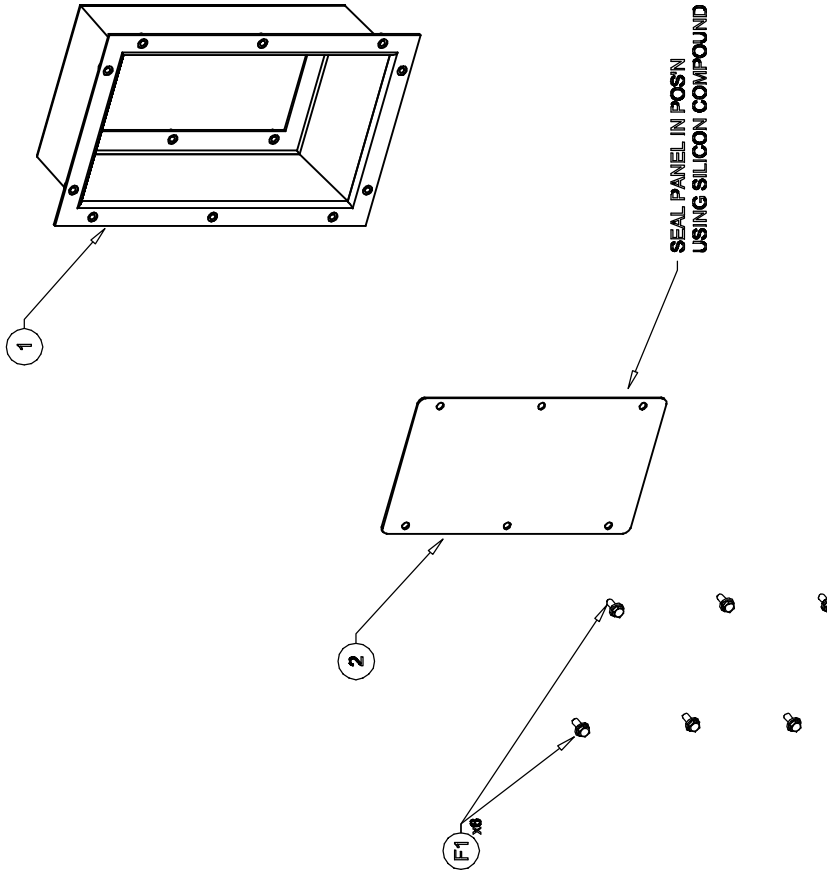


ITEM	DRG No.	PART/KIT No.	DESCRIPTION	QTY
1	TCP-4075	51-4075	RECESSED PANEL	1
2	TCP-4077-05	51-4077-05	CONNECTOR PLATE, O/P 220V	1
3		71-0238	OUTLET SOCKET RAPIDO 220V 16A	1
4	TCP-4138	51-4138	SAFETY COVER, CONNECTORS	1
5		71-0035	CABLE GLAND 20mm	2
		71-0235	INLET SOCKET RAPIDO 220V 16A	1
F1		01-0174	M5 x 20 FLANGE HEAD BOLT	4
F2		01-0205	M5 x 12 FLANGE HEAD BOLT	2
F3		01-0180	M5 x 20 POZI PAN HD SCREW	4
F4		02-0013	M5 WASHER	4
F5		01-0085	M5 NYLOC NUT	4

TAYLOR CONSTRUCTION PLANT LTD. CLAYBIDE PARK, BATES ROAD, MALDON, ESSEX, CM8 5FA TEL: +44(0)1627 753444(EXT 849880) WWW.TCP.EU.COM		TITLE: OUTLET PANEL ASSY, 220V INPUT/OUTPUT ECOLITE-P		DRN GAN
DIMENSIONS IN mm		SCALE 1:4		CHKD
TOLS: GENERAL		HOLE CTR&POSNS		APPD
HOLE Ø		ANGLES		DATE
±0.25		±0.5°		SA-4124-03
±0.2		±0.5°		SA-4124-03
±0.5		±0.5°		SA-4124-03
MATERIAL: SEE PIECE PARTS		FINISH: CLEAN & DEBURR		DATE
INITIAL ISSUE		CHKD DATE		DATE
DESCRIPTION		DESCRIPTION		DATE

UNCONTROLLED DOCUMENT
CHECK FOR AMENDMENTS BEFORE USE

THIRD ANGLE PROJECTION



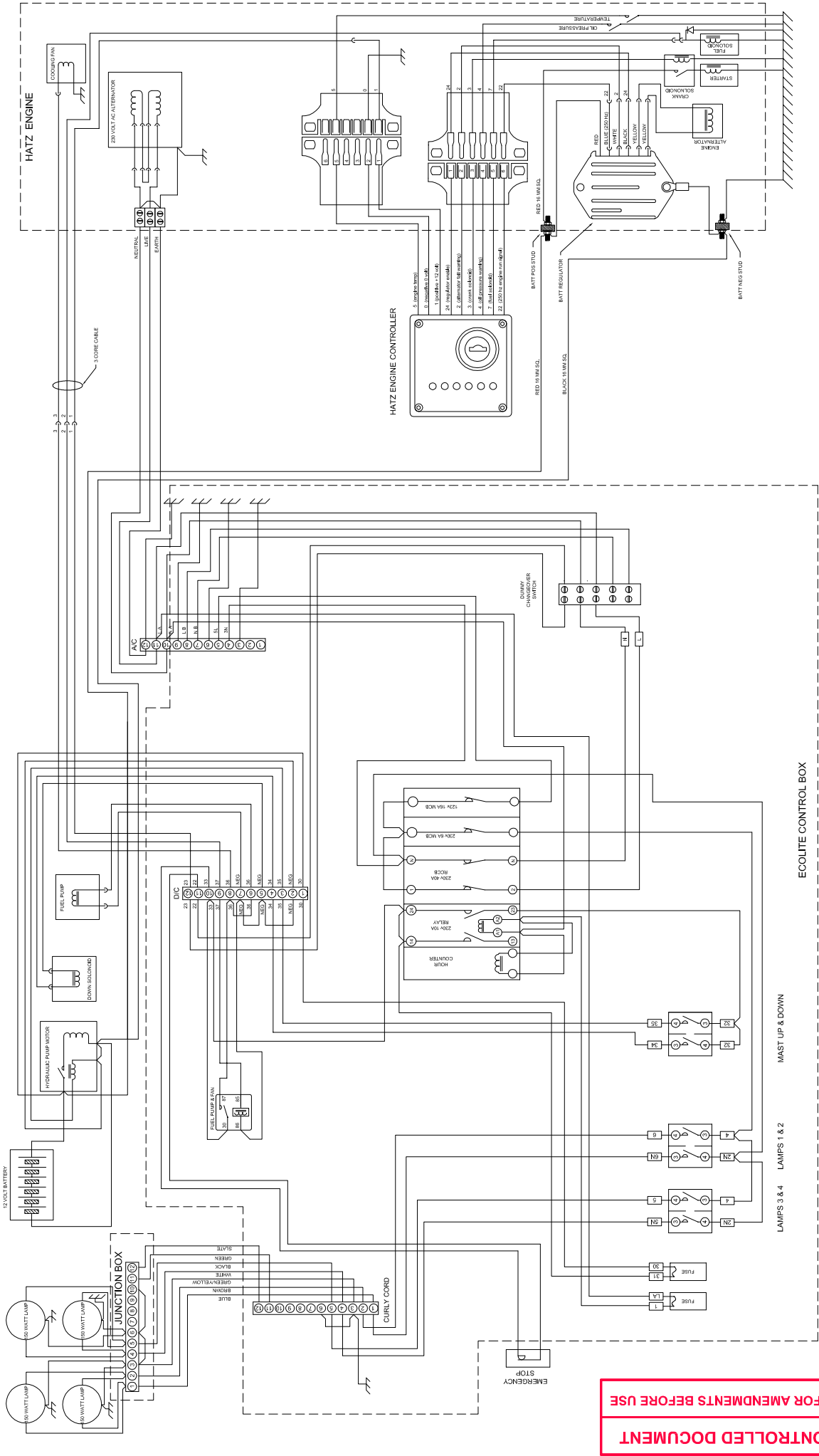
ITEM	DRG No.	PART/KIT No.	DESCRIPTION	QTY
1	TCP-4075	51-4075(K)	RECESSED PANEL	1
2	TCP-4078-01	51-4078-01(K)	INSERT PLATE BLANK	1
F1		01-0205	M5 x 12 FLANGE HEAD BOLT	6

UNCONTROLLED DOCUMENT
CHECK FOR AMENDMENTS BEFORE USE

ISS	INITIAL ISSUE	DESCRIPTION	CHKD	DATE	A	B	C	D	E	F	G	H
				09/10								
				DIMENSIONS IN mm SCALE 1:4 TOL'S: GENERAL ±0.25 HOLE CTR'S/POS'NS ±0.2 HOLE Ø H8 ANGLES ±0.5°								
				TAYLOR CONSTRUCTION PLANT LTD. CLAYBIDE PARK, BATES ROAD, MALDON, ESSEX, CM9 6FA TEL: +44(0)1627 753444(EXT 140380) WWW.TCP.EU.COM								
				TITLE: BLANK OUTLET MODULE ECOLITE-P DWG No. TCP-4124-04 SA Sht. 1 of 1 Sht. No. SA-4124-04 DRN GAN CHKD APPD DATE 02.03.2010								

ECOLITE-P V1

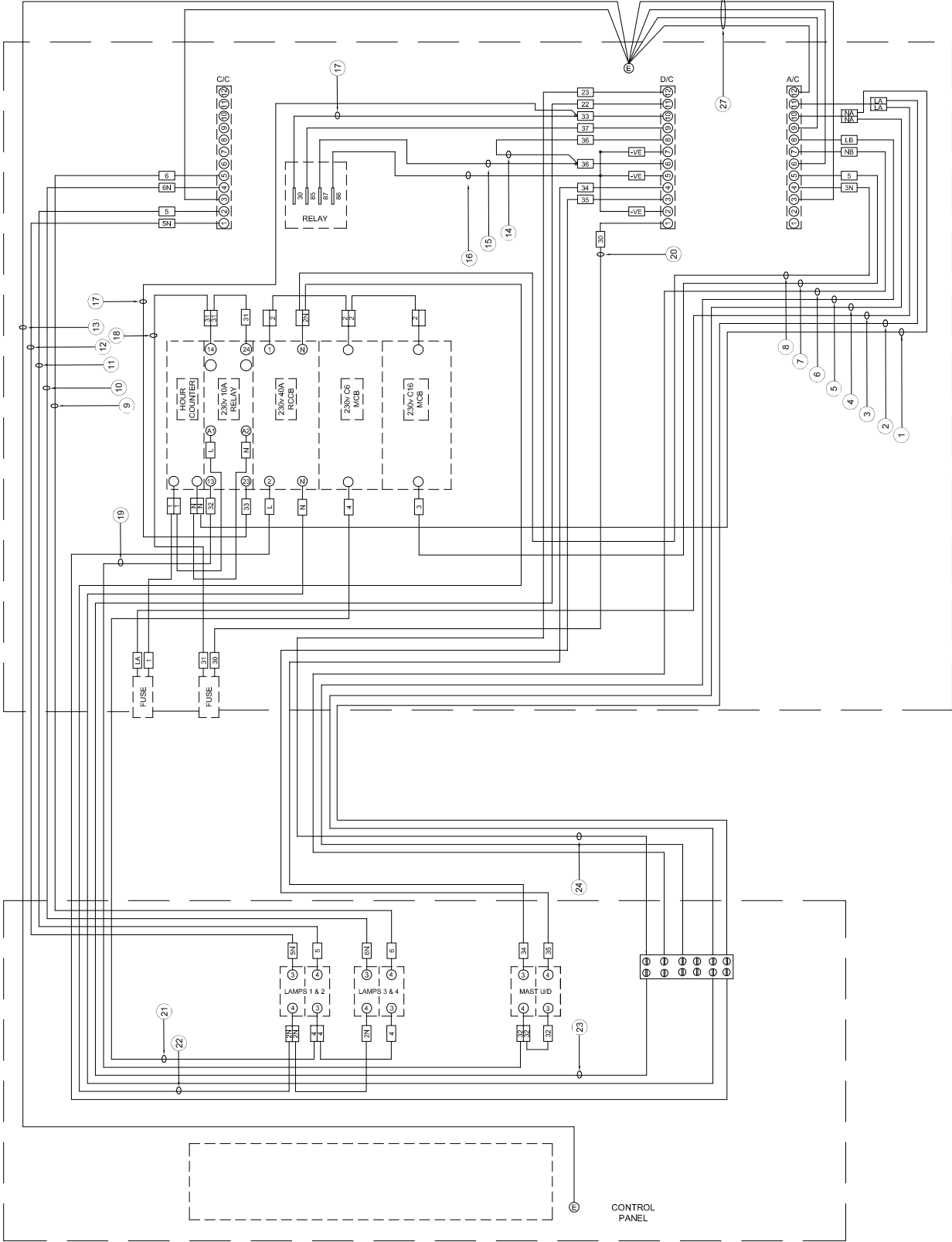
SCHEMATICS



UNCONTROLLED DOCUMENT
CHECK FOR AMENDMENTS BEFORE USE

ISS	DESCRIPTION	CHKD	DATE	ISS	DATE	DESCRIPTION	CHKD	DATE
A	INITIAL ISSUE		08/11					

TAYLOR CONSTRUCTION PLANT LTD. QUAYSIDE PARK, BATES ROAD, MALDON, ESSEX, CM9 5FA TEL: +441621 650777 FAX: +441621 943330 WWW.TCP.EU.COM	TITLE: SCHEMATIC, HATZ CONTROL BASIC UNIT ECOLITE-T & P DWG No. TCP-4070-01 SD Sht. 1 of 1
DRN LSV	CHKD
APPD	DATE
	17.06.2011



Item	Drwg No.	Strk. No.	Core Colours
1	2.5mm ² 1 CORE		BLUE
2	0.75mm ² 1 CORE		BROWN
3	2.5mm ² 1 CORE		BROWN
4	0.75mm ² 1 CORE		BLUE
5	2.5mm ² 1 CORE		BROWN
6	2.5mm ² 1 CORE		BLUE
7	2.5mm ² 1 CORE		BROWN
8	2.5mm ² 1 CORE		BLUE
9	1.5mm ² 1 CORE		BROWN
10	1.5mm ² 1 CORE		BLUE
11	1.5mm ² 1 CORE		BROWN
12	1.5mm ² 1 CORE		BLUE
13	2.5mm ² 1 CORE		YEL/GRN
14	1.0mm ² 1 CORE	70-0180	RED
15	1.0mm ² 1 CORE	70-0180	RED
16	1.0mm ² 1 CORE	70-0179	BLACK
17	2.0mm ² 1 CORE	70-0280	RED
18	2.0mm ² 1 CORE	70-0280	RED
19	2.0mm ² 1 CORE	70-0280	RED
20	2.0mm ² 1 CORE	70-0280	RED
21	1.5mm ² 1 CORE		BROWN
22	1.5mm ² 1 CORE		BLUE
23	2.0mm ² 1 CORE	70-0180	RED
24	2.0mm ² 1 CORE	70-0291	BLACK
25			
26			
27	2.5mm ² 1 CORE		YEL/GRN
28	2.5mm ² 3 CORE		GE/YE-BN-BU
29	2.5mm ² 3 CORE		GE/YE-BN-BU

UNCONTROLLED DOCUMENT
CHECK FOR AMENDMENTS BEFORE USE

USED IN CONJUNCTION WITH TCP-4070-01 SD

TITLE: CABLE IDENTIFICATION AND TERMINATION ECOLITE-T & P

TAYLOR CONSTRUCTION PLANT LTD.
QUAYSIDE PARK, BATES ROAD,
MALDON, ESSEX, CM9 5FA
TEL: 441621 650777 FAX: 441621 943330
WWW.TCP.EU.COM

ISS	DESCRIPTION	CHKD	DATE	ISS	DESCRIPTION	CHKD	DATE
B	SEE DCA 00647		08/11				
A	INITIAL ISSUE		08/11				

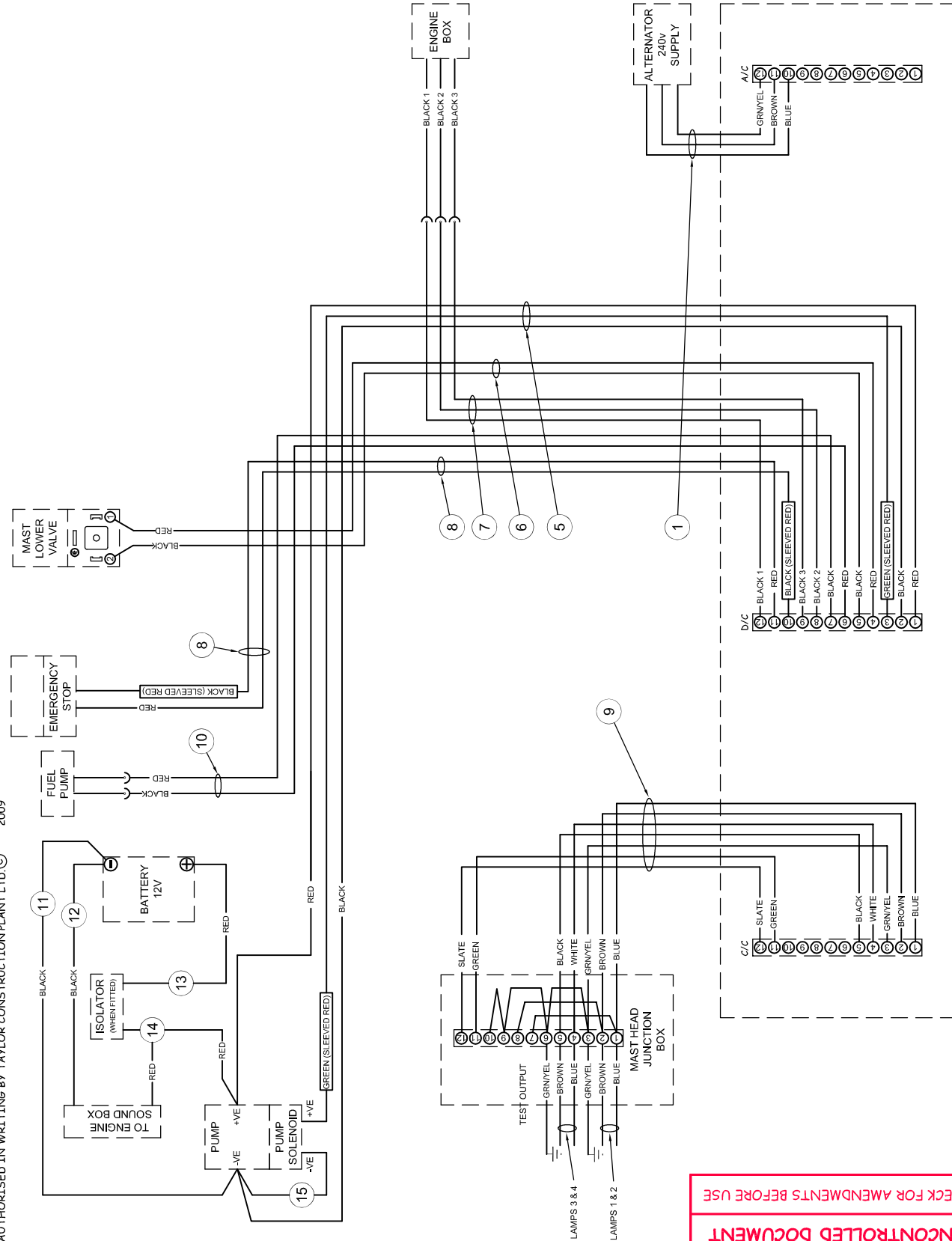
DRN	LSV
CHKD	
APPD	
DATE	17.06.2011

DWG No.	TCP-4070-01 WS	Sht.	1 of 2
---------	----------------	------	--------

THIS DRAWING IS THE PROPERTY OF TAYLOR CONSTRUCTION PLANT LTD. AND MUST NOT BE COPIED, REPRODUCED OR DISCLOSED EXCEPT AS AUTHORISED IN WRITING BY TAYLOR CONSTRUCTION PLANT LTD. © 2009

TAYLOR CONSTRUCTION PLANT LTD. RESERVE THE RIGHT TO CHANGE PRODUCTS & SPECIFICATIONS WITHOUT PRIOR NOTICE.

DWG No. TCP-4070-01 WS



UNCONTROLLED DOCUMENT
CHECK FOR AMENDMENTS BEFORE USE

Item	Drwg No.	Stk. No.	Core Colours
1	2.5mm ² 3 CORE	71-0062	GE/YE-BN-BU
2			
3			
4			
5	2.5mm ² 3 CORE	71-0372	BK Numbered
6	1.5mm ² 2 CORE	71-0347	RD-BK
7**	2.5mm ² 3 CORE	71-0372	BK Numbered
8	2.5mm ² 2 CORE	71-0348	RD-BK
9	CURLY CORE	71-0273	MULTI COLOUR
10	1.5mm ² 2 CORE	71-0347	RD-BK
11	16mm ² 1 CORE	73-3073	BK
12	16mm ² 1 CORE	73-3071	BK
13	16mm ² 1 CORE	73-3070	RD
14	16mm ² 1 CORE	73-3072	RD
16	1.5mm ² 2 CORE	71-0347	RD-BK
17	1.5mm ² 2 CORE	71-0347	RD-BK
18	2.0mm ² 8 CORE		MULTI COLOUR

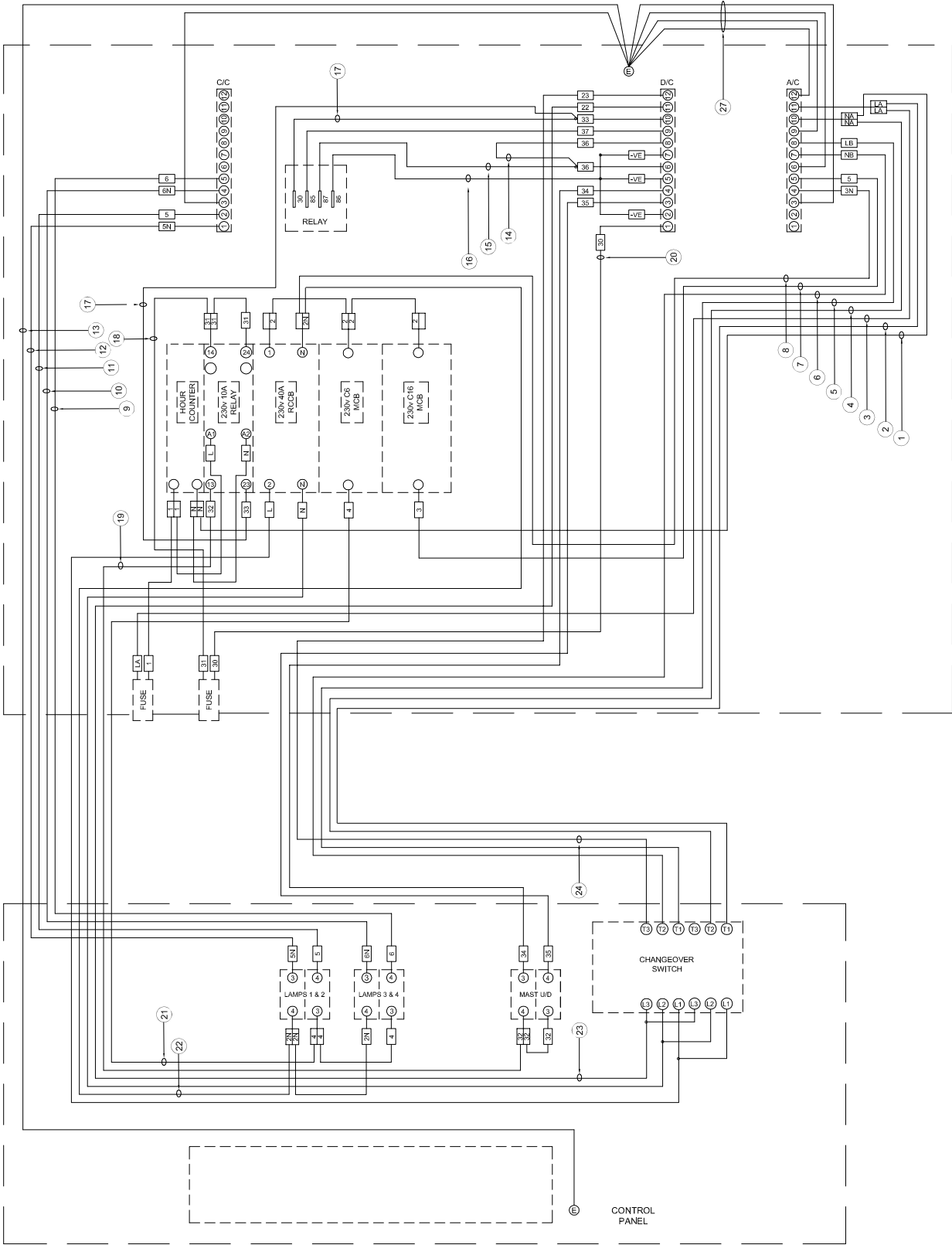
NOTE:
CABLE No. 7 IS A SPECIAL SIGNAL CABLE.
i.e. THE 3 INNER CORES ARE BLACK & NUMBERED

USED IN CONJUNCTION WITH TCP-4070-01 SD

ISS		DESCRIPTION		CHK'D		DATE		ISS		DESCRIPTION		CHK'D		DATE	
B	SEE DCA 00647						08/11								
A	INITIAL ISSUE						06/11								

TAYLOR CONSTRUCTION PLANT LTD.		CABLE IDENTIFICATION AND TERMINATION, ECOLITE-T & P		DRN		LSV	
QUAYSIDE PARK, BATES ROAD, MALDON, ESSEX, CM9 5FA				CHK'D			
TEL+441621 850777 FAX+441621 843330				APP'D			
WWW.TCP.EU.COM				DATE		17.06.2011	

TAYLOR CONSTRUCTION PLANT LTD.		TCP-4070-01 WS		Sht. 2 of 2	
DWG No.				DATE	



Item	Drwg No.	Strk. No.	Core Colours
1	2.5mm ² 1 CORE		BLUE
2	0.75mm ² 1 CORE		BROWN
3	2.5mm ² 1 CORE		BROWN
4	0.75mm ² 1 CORE		BLUE
5	2.5mm ² 1 CORE		BROWN
6	2.5mm ² 1 CORE		BLUE
7	2.5mm ² 1 CORE		BROWN
8	2.5mm ² 1 CORE		BLUE
9	1.5mm ² 1 CORE		BROWN
10	1.5mm ² 1 CORE		BLUE
11	1.5mm ² 1 CORE		BROWN
12	1.5mm ² 1 CORE		BLUE
13	2.5mm ² 1 CORE		YEL/GRN
14	1.0mm ² 1 CORE	70-0180	RED
15	1.0mm ² 1 CORE	70-0180	RED
16	1.0mm ² 1 CORE	70-0179	BLACK
17	2.0mm ² 1 CORE	70-0280	RED
18	2.0mm ² 1 CORE	70-0280	RED
19	2.0mm ² 1 CORE	70-0280	RED
20	2.0mm ² 1 CORE	70-0280	RED
21	1.5mm ² 1 CORE		BROWN
22	1.5mm ² 1 CORE		BLUE
23	2.0mm ² 1 CORE	70-0180	RED
24	2.0mm ² 1 CORE	70-0291	BLACK
25			
26			
27	2.5mm ² 1 CORE		YEL/GRN
28	2.5mm ² 3 CORE		GE/YE-BN-BU
29	2.5mm ² 3 CORE		GE/YE-BN-BU

UNCONTROLLED DOCUMENT
CHECK FOR AMENDMENTS BEFORE USE

USED IN CONJUNCTION WITH TCP-4070-02 SD

ISS	DESCRIPTION	CHKD	DATE	ISS	DESCRIPTION	CHKD	DATE
B	SEE DCA 00647		08/11				
A	INITIAL ISSUE		08/11				

TAYLOR CONSTRUCTION PLANT LTD.		TITLE: CABLE IDENTIFICATION AND TERMINATION. ECOLITE-T & P	
QUAYSIDE PARK, BATES ROAD, MALDON, ESSEX, CM9 5FA		DRN LSV	
TEL: 441621 650777 FAX: 441621 943330		CHKD	
WWW.TCP.EU.COM		APPD	
		DATE	
		17.06.2011	

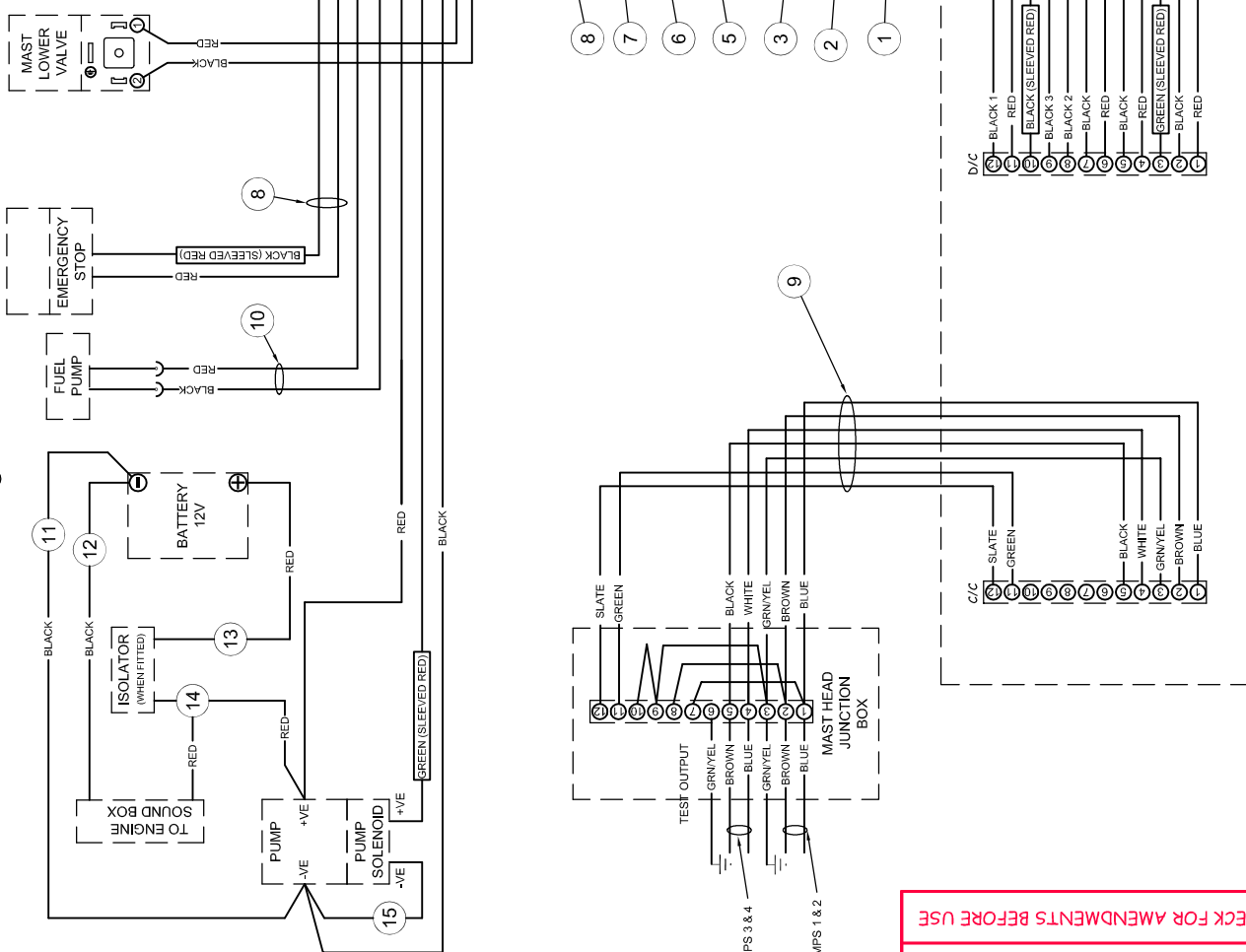
DWG No.	TCP-4070-02 WS	Sht. 1 of 2
---------	----------------	-------------

THIS DRAWING IS THE PROPERTY OF TAYLOR CONSTRUCTION PLANT LTD. AND MUST NOT BE COPIED, REPRODUCED OR DISCLOSED EXCEPT AS AUTHORISED IN WRITING BY TAYLOR CONSTRUCTION PLANT LTD. ©

2009

TAYLOR CONSTRUCTION PLANT LTD. RESERVE THE RIGHT TO CHANGE PRODUCTS & SPECIFICATIONS WITHOUT PRIOR NOTICE.

DWG No. TCP-4070-02 WS



UNCONTROLLED DOCUMENT
CHECK FOR AMENDMENTS BEFORE USE

Item	Drwg No.	Stk. No.	Core Colours
1	2.5mm ² 3 CORE	71-0062	GE/YE-BN-BU
2	2.5mm ² 3 CORE	71-0062	GE/YE-BN-BU
3	2.5mm ² 3 CORE	71-0062	GE/YE-BN-BU
4			
5	2.5mm ² 3 CORE	71-0372	BK Numbered
6	1.5mm ² 2 CORE	71-0347	RD-BK
7**	2.5mm ² 3 CORE	71-0372	BK Numbered
8	2.5mm ² 2 CORE	71-0348	RD-BK
9	CURLY CORE	71-0273	MULTI COLOUR
10	1.5mm ² 2 CORE	71-0347	RD-BK
11	16mm ² 1 CORE	73-3073	BK
12	16mm ² 1 CORE	73-3071	BK
13	16mm ² 1 CORE	73-3070	RD
14	16mm ² 1 CORE	73-3072	RD
16	1.5mm ² 2 CORE	71-0347	RD-BK
17	1.5mm ² 2 CORE	71-0347	RD-BK
18	2.0mm ² 8 CORE		MULTI COLOUR

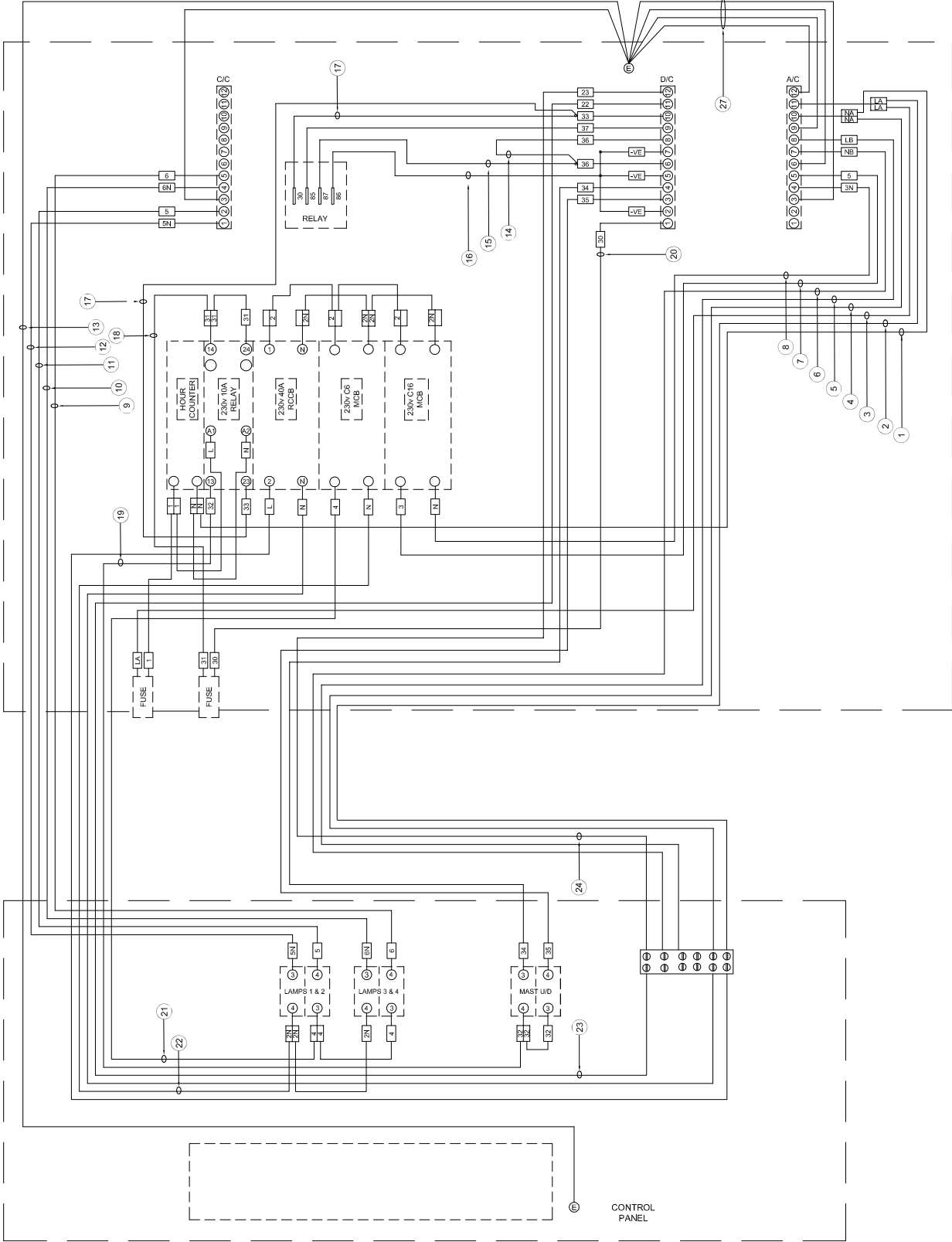
NOTE:
CABLE No. 7 IS A SPECIAL SIGNAL CABLE.
i.e. THE 3 INNER CORES ARE BLACK & NUMBERED

USED IN CONJUNCTION WITH TCP-4070-02 SD

ISS	DESCRIPTION	CHK'D	DATE	ISS	DESCRIPTION	CHK'D	DATE
B	SEE DCA 00647		08/11				
A	INITIAL ISSUE		06/11				

TAYLOR CONSTRUCTION PLANT LTD.		TAYLOR CONSTRUCTION PLANT LTD.	
QUAYSIDE PARK, BATES ROAD, MALDON, ESSEX, CM9 5FA		QUAYSIDE PARK, BATES ROAD, MALDON, ESSEX, CM9 5FA	
TEL+441621 850777 FAX+441621 843330		TEL+441621 850777 FAX+441621 843330	
WWW.TCP.EU.COM		WWW.TCP.EU.COM	

TITLE: CABLE IDENTIFICATION AND TERMINATION, ECOLITE-T & P		DRN LSV	
DWG No. TCP-4070-02 WS		CHK'D	
Sht. 2 of 2		APP'D	
		DATE	
		17.06.2011	



Item	Drwg No.	Strk. No.	Core Colours
1	2.5mm ² 1 CORE		BLUE
2	0.75mm ² 1 CORE		BROWN
3	2.5mm ² 1 CORE		BROWN
4	0.75mm ² 1 CORE		BLUE
5	2.5mm ² 1 CORE		BROWN
6	2.5mm ² 1 CORE		BLUE
7	2.5mm ² 1 CORE		BROWN
8	2.5mm ² 1 CORE		BLUE
9	1.5mm ² 1 CORE		BROWN
10	1.5mm ² 1 CORE		BLUE
11	1.5mm ² 1 CORE		BROWN
12	1.5mm ² 1 CORE		BLUE
13	2.5mm ² 1 CORE		YEL/GRN
14	1.0mm ² 1 CORE	70-0180	RED
15	1.0mm ² 1 CORE	70-0180	RED
16	1.0mm ² 1 CORE	70-0179	BLACK
17	2.0mm ² 1 CORE	70-0280	RED
18	2.0mm ² 1 CORE	70-0280	RED
19	2.0mm ² 1 CORE	70-0280	RED
20	2.0mm ² 1 CORE	70-0280	RED
21	1.5mm ² 1 CORE		BROWN
22	1.5mm ² 1 CORE		BLUE
23	2.0mm ² 1 CORE	70-0180	RED
24	2.0mm ² 1 CORE	70-0291	BLACK
25			
26			
27	2.5mm ² 1 CORE		YEL/GRN
28	2.5mm ² 3 CORE		GE/YE-BN-BU
29	2.5mm ² 3 CORE		GE/YE-BN-BU

UNCONTROLLED DOCUMENT
CHECK FOR AMENDMENTS BEFORE USE

USED IN CONJUNCTION WITH TCP-4070-03 SD

TITLE: CABLE IDENTIFICATION AND TERMINATION ECOLITE-T & P

TAYLOR CONSTRUCTION PLANT LTD.

QUAYSIDE PARK, BATES ROAD,
MALDON, ESSEX, CM9 5FA
TEL: 441621 650777 FAX: 441621 943330
WWW.TCP.EU.COM

DRN LSV

CHKD

APPD

DATE

17.06.2011

DWG No. TCP-4070-03 WS

Sht. 1 of 2

DATE

DATE

DATE

DESCRIPTION

DESCRIPTION

DESCRIPTION

DESCRIPTION

DESCRIPTION

ISS

CHKD

DATE

ISS

DATE

ISS

CHKD

DATE

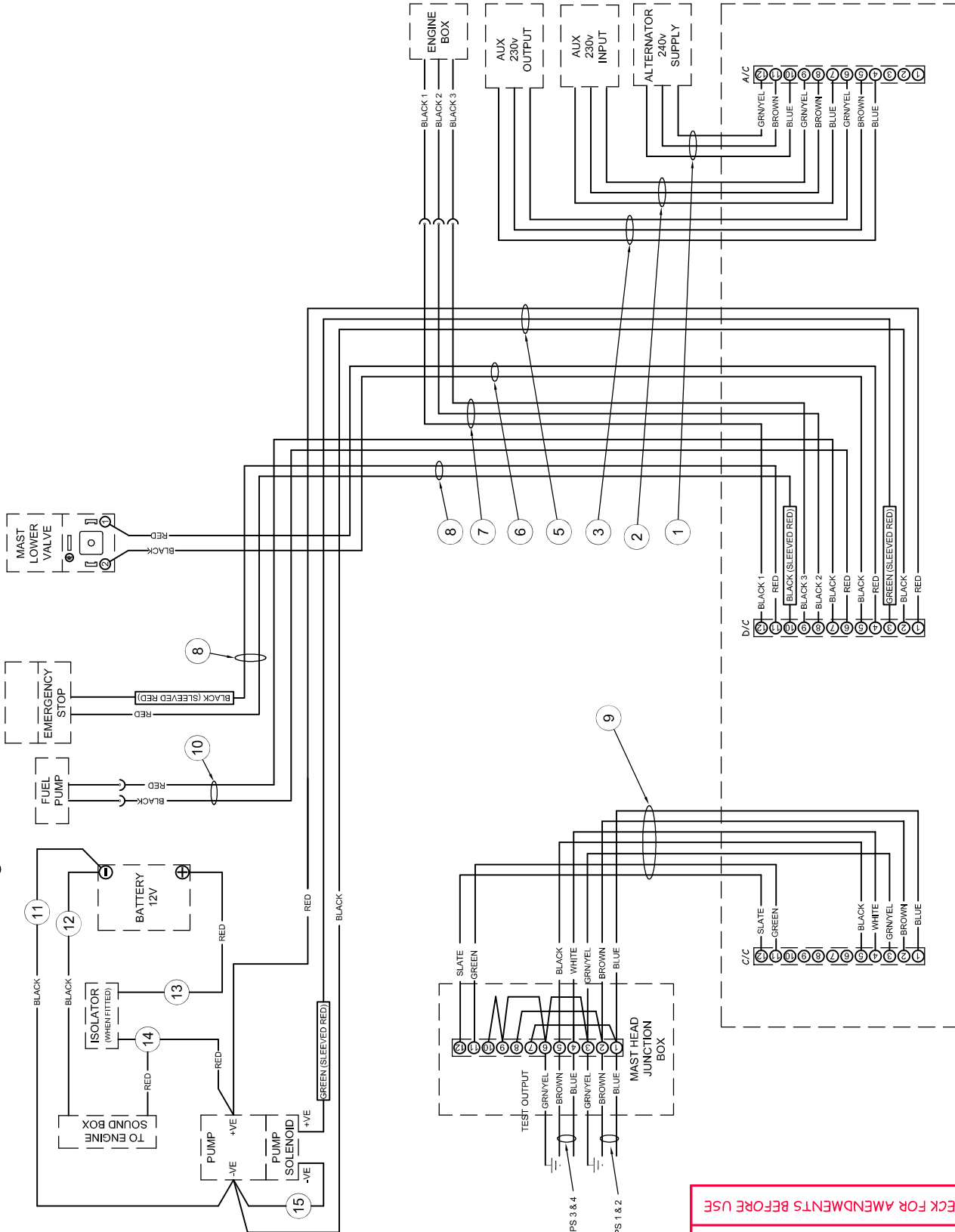
ISS

DATE

THIS DRAWING IS THE PROPERTY OF TAYLOR CONSTRUCTION PLANT LTD. AND MUST NOT BE COPIED, REPRODUCED OR DISCLOSED EXCEPT AS AUTHORISED IN WRITING BY TAYLOR CONSTRUCTION PLANT LTD. ©

2009

TAYLOR CONSTRUCTION PLANT LTD. RESERVE THE RIGHT TO CHANGE PRODUCTS & SPECIFICATIONS WITHOUT PRIOR NOTICE.



UNCONTROLLED DOCUMENT
CHECK FOR AMENDMENTS BEFORE USE

Item	Drwg No.	Stk. No.	Core Colours
1	2.5mm ² 3 CORE	71-0062	GE/YE-BN-BU
2	2.5mm ² 3 CORE	71-0062	GE/YE-BN-BU
3	2.5mm ² 3 CORE	71-0062	GE/YE-BN-BU
4			
5	2.5mm ² 3 CORE	71-0372	BK Numbered
6	1.5mm ² 2 CORE	71-0347	RD-BK
7**	2.5mm ² 3 CORE	71-0372	BK Numbered
8	2.5mm ² 2 CORE	71-0348	RD-BK
9	CURLY CORE	71-0273	MULTI COLOUR
10	1.5mm ² 2 CORE	71-0347	RD-BK
11	16mm ² 1 CORE	73-3073	BK
12	16mm ² 1 CORE	73-3071	BK
13	16mm ² 1 CORE	73-3070	RD
14	16mm ² 1 CORE	73-3072	RD
16	1.5mm ² 2 CORE	71-0347	RD-BK
17	1.5mm ² 2 CORE	71-0347	RD-BK
18	2.0mm ² 8 CORE		MULTI COLOUR

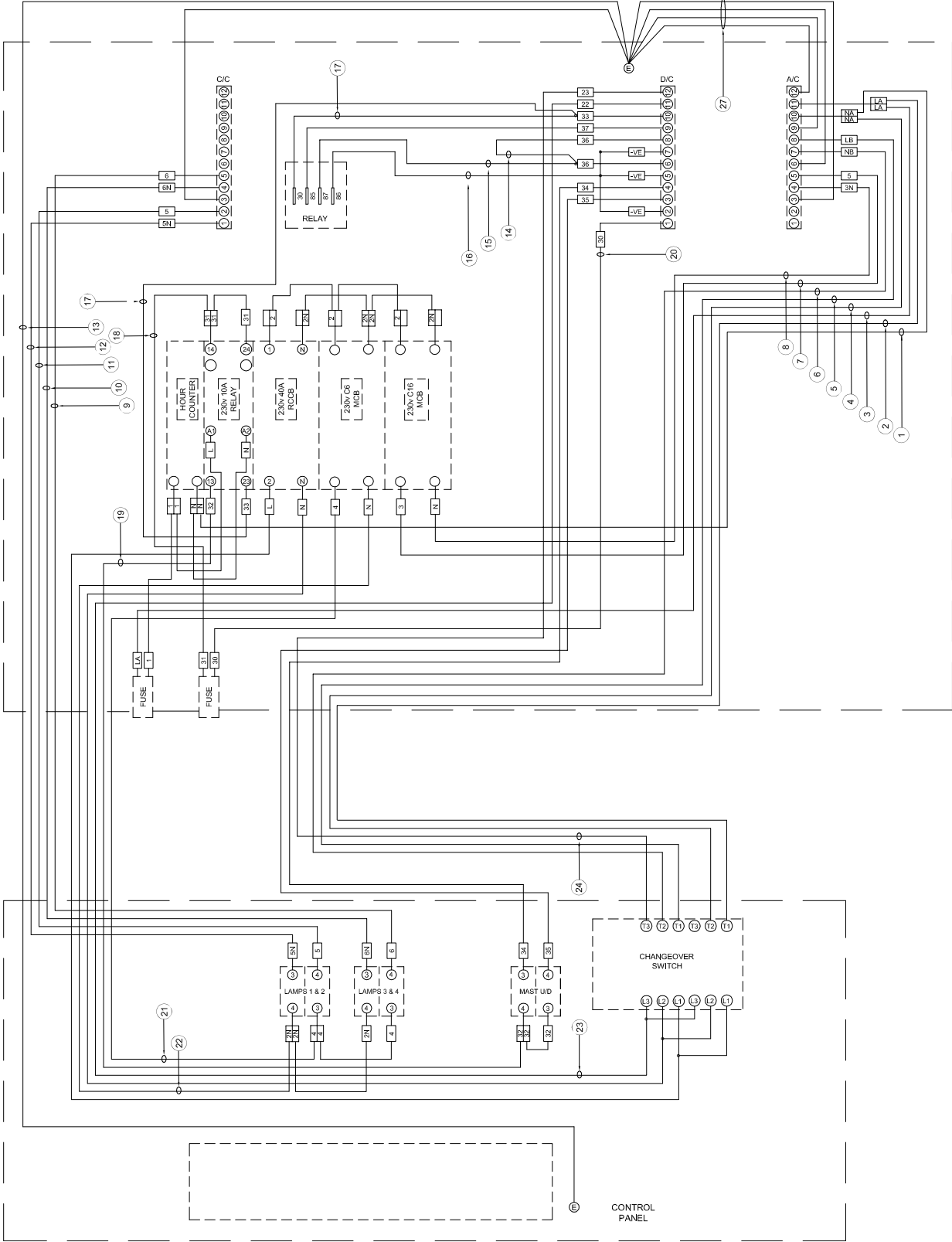
NOTE:
CABLE NO. 7 IS A SPECIAL SIGNAL CABLE.
i.e. THE 3 INNER CORES ARE BLACK & NUMBERED

USED IN CONJUNCTION WITH TCP-4070-04 SA

ISS		DESCRIPTION		CHK'D		DATE		ISS		DESCRIPTION		CHK'D		DATE	
B	SEE DCA 00647						08/11								
A	INITIAL ISSUE						06/11								

TAYLOR CONSTRUCTION PLANT LTD.		TITLE: CABLE IDENTIFICATION AND TERMINATION, ECOLITE-T & P		DRN	LSV
QUAYSIDE PARK, BATES ROAD, MALDON, ESSEX, CM9 5FA				CHK'D	
TEL+441621 850777 FAX+441621 843330				APP'D	
WWW.TCP.EU.COM				DATE	17.06.2011

DWG No.	TCP-4070-03 WS	Shr. 2 of 2



Item	Drwg No.	Strk. No.	Core Colours
1	2.5mm ² 1 CORE		BLUE
2	0.75mm ² 1 CORE		BROWN
3	2.5mm ² 1 CORE		BROWN
4	0.75mm ² 1 CORE		BLUE
5	2.5mm ² 1 CORE		BROWN
6	2.5mm ² 1 CORE		BLUE
7	2.5mm ² 1 CORE		BROWN
8	2.5mm ² 1 CORE		BLUE
9	1.5mm ² 1 CORE		BROWN
10	1.5mm ² 1 CORE		BLUE
11	1.5mm ² 1 CORE		BROWN
12	1.5mm ² 1 CORE		BLUE
13	2.5mm ² 1 CORE		YEL/GRN
14	1.0mm ² 1 CORE	70-0180	RED
15	1.0mm ² 1 CORE	70-0180	RED
16	1.0mm ² 1 CORE	70-0179	BLACK
17	2.0mm ² 1 CORE	70-0280	RED
18	2.0mm ² 1 CORE	70-0280	RED
19	2.0mm ² 1 CORE	70-0280	RED
20	2.0mm ² 1 CORE	70-0280	RED
21	1.5mm ² 1 CORE		BROWN
22	1.5mm ² 1 CORE		BLUE
23	2.0mm ² 1 CORE	70-0180	RED
24	2.0mm ² 1 CORE	70-0291	BLACK
25			
26			
27	2.5mm ² 1 CORE		YEL/GRN
28	2.5mm ² 3 CORE		GE/YE-BN-BU
29	2.5mm ² 3 CORE		GE/YE-BN-BU

UNCONTROLLED DOCUMENT
CHECK FOR AMENDMENTS BEFORE USE

USED IN CONJUNCTION WITH TCP-4070-04 SD

TITLE: CABLE IDENTIFICATION AND TERMINATION ECOLITE-T & P

TAYLOR CONSTRUCTION PLANT LTD.
QUAYSIDE PARK, BATES ROAD,
MALDON, ESSEX, CM9 5FA
TEL: 441621 650777 FAX: 441621 943330
WWW.TCP.EU.COM

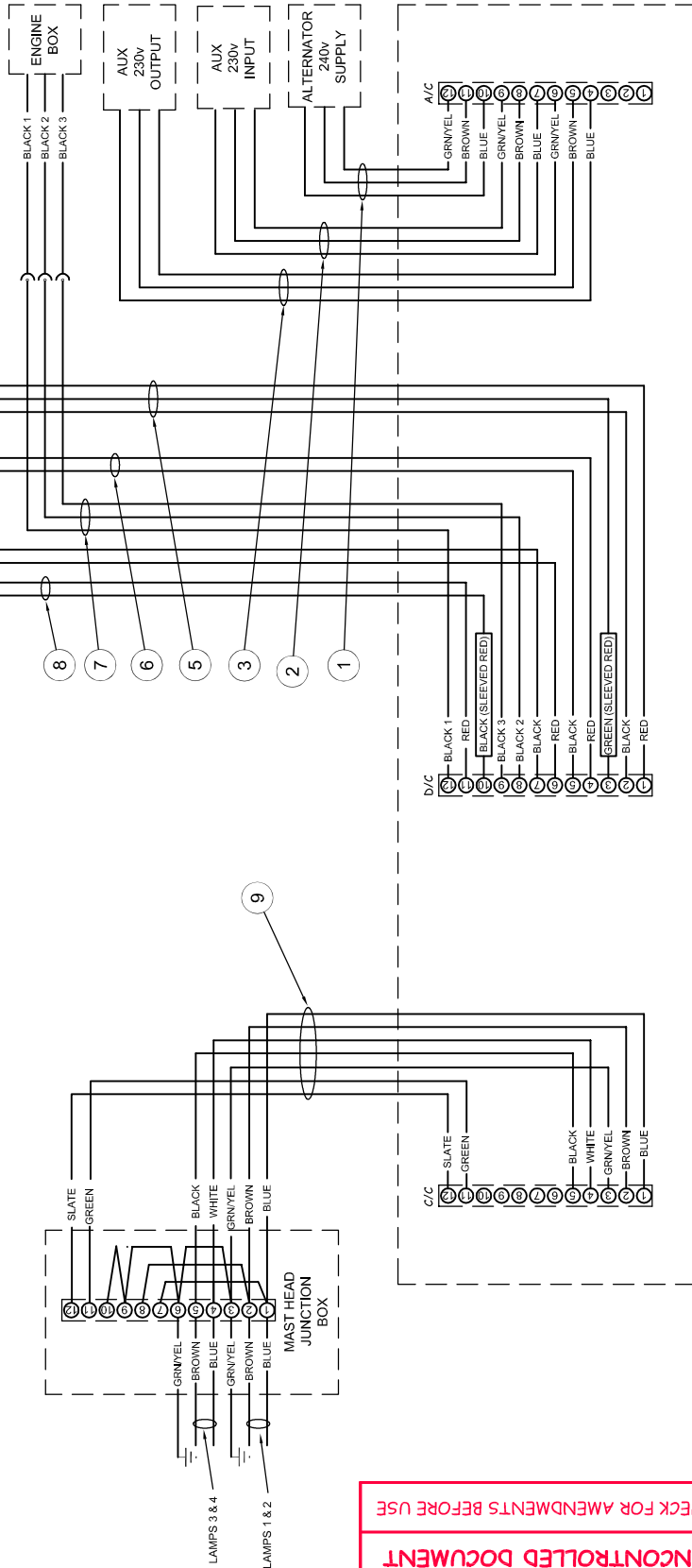
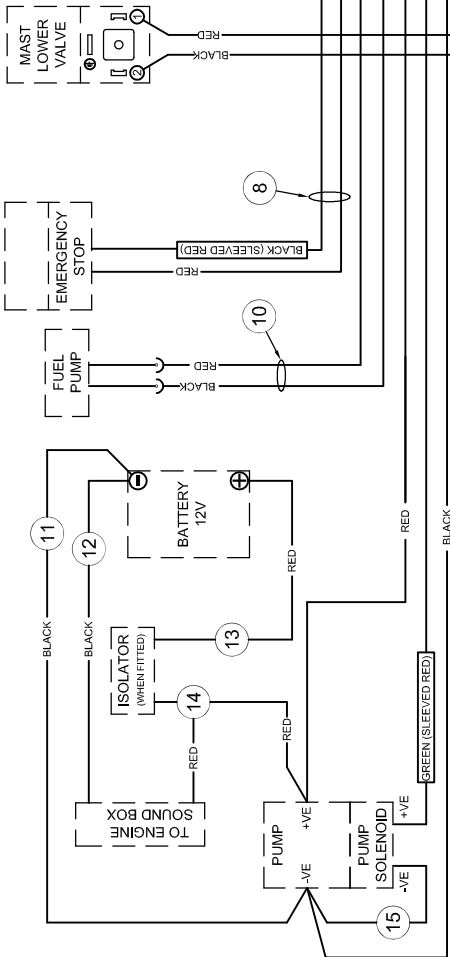
ISS	DESCRIPTION	CHKD	DATE	ISS	DESCRIPTION	CHKD	DATE
B	SEE DCA 00647		08/11				
A	INITIAL ISSUE		08/11				

DRN	LSV
CHKD	
APPD	
DATE	
17.06.2011	

DWG No.	TCP-4070-04 WS	Sht.	1 of 2
---------	----------------	------	--------

THIS DRAWING IS THE PROPERTY OF TAYLOR CONSTRUCTION PLANT LTD. AND MUST NOT BE COPIED, REPRODUCED OR DISCLOSED EXCEPT AS AUTHORISED IN WRITING BY TAYLOR CONSTRUCTION PLANT LTD. ©

2009



UNCONTROLLED DOCUMENT
CHECK FOR AMENDMENTS BEFORE USE

Item	Drwg No.	Stk. No.	Core Colours
1	2.5mm ² 3 CORE	71-0062	GE/YE-BN-BU
2	2.5mm ² 3 CORE	71-0062	GE/YE-BN-BU
3	2.5mm ² 3 CORE	71-0062	GE/YE-BN-BU
4			
5	2.5mm ² 3 CORE	71-0372	BK Numbered
6	1.5mm ² 2 CORE	71-0347	RD-BK
7**	2.5mm ² 3 CORE	71-0372	BK Numbered
8	2.5mm ² 2 CORE	71-0348	RD-BK
9	CURLY CORE	71-0273	MULTI COLOUR
10	1.5mm ² 2 CORE	71-0347	RD-BK
11	16mm ² 1 CORE	73-3073	BK
12	16mm ² 1 CORE	73-3071	BK
13	16mm ² 1 CORE	73-3070	RD
14	16mm ² 1 CORE	73-3072	RD
16	1.5mm ² 2 CORE	71-0347	RD-BK
17	1.5mm ² 2 CORE	71-0347	RD-BK
18	2.0mm ² 8 CORE		MULTI COLOUR

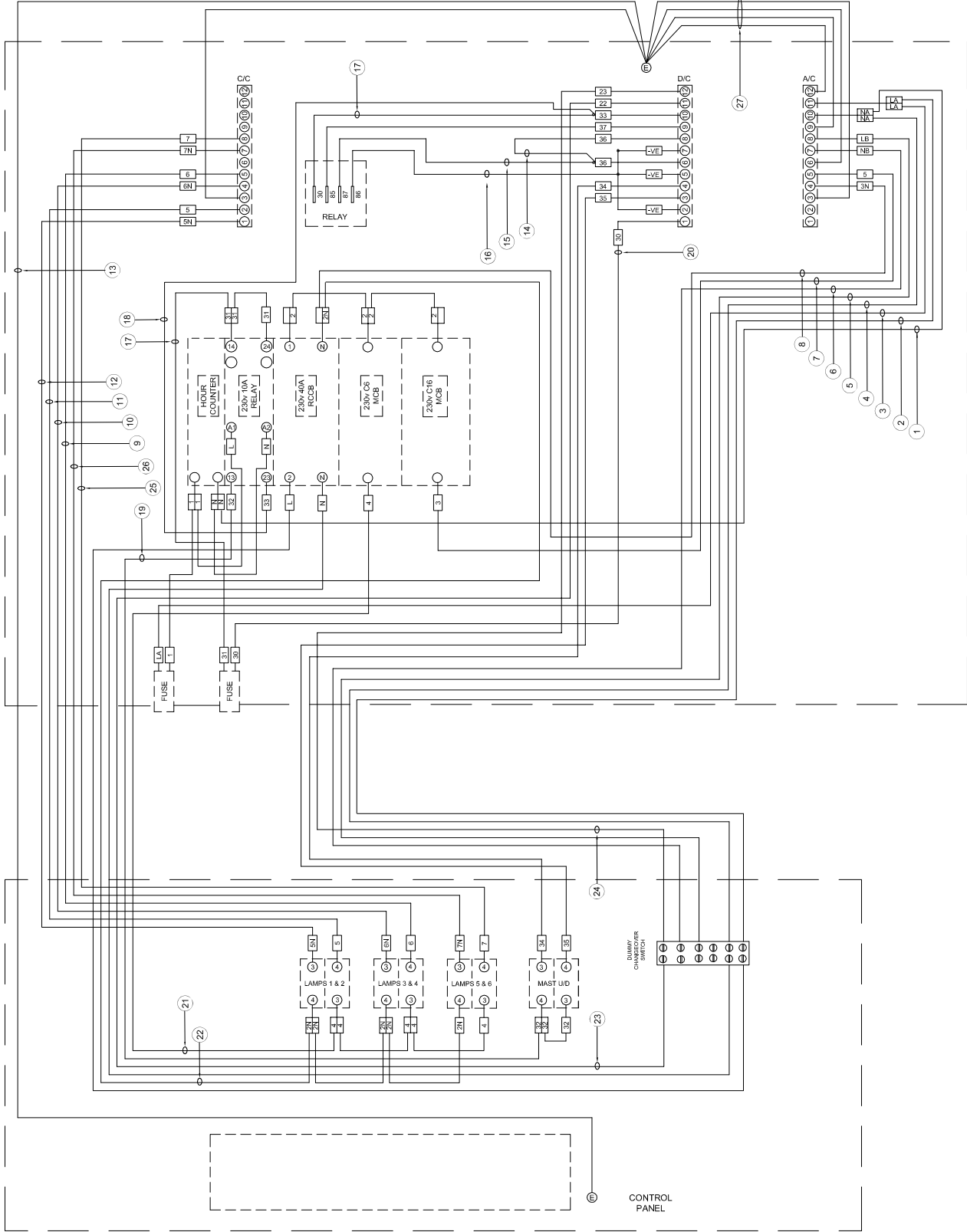
NOTE:
CABLE NO. 7 IS A SPECIAL SIGNAL CABLE.
i.e. THE 3 INNER CORES ARE BLACK & NUMBERED

USED IN CONJUNCTION WITH TCP-4070-04 SD

ISS	DESCRIPTION	CHK'D	DATE	ISS	DESCRIPTION	CHK'D	DATE
B	SEE DCA 00647		08/11				
A	INITIAL ISSUE		06/11				

TAYLOR CONSTRUCTION PLANT LTD.		TAYLOR CONSTRUCTION PLANT LTD.	
QUAYSIDE PARK, BATES ROAD, MALDON, ESSEX, CM9 5FA		QUAYSIDE PARK, BATES ROAD, MALDON, ESSEX, CM9 5FA	
TEL+441621 850777 FAX+441621 843330		TEL+441621 850777 FAX+441621 843330	
WWW.TCP.EU.COM		WWW.TCP.EU.COM	

TITLE: CABLE IDENTIFICATION AND TERMINATION, ECOLITE-T & P		DRN LSV	
DWG No. TCP-4070-04 WS		CHK'D	
Sht. 2 of 2		APP'D	
		DATE	
		17.06.2011	



Item	Drwg No.	Strk. No.	Core Colours
1	2.5mm ² 1 CORE		BLUE
2	0.75mm ² 1 CORE		BROWN
3	2.5mm ² 1 CORE		BROWN
4	0.75mm ² 1 CORE		BLUE
5	2.5mm ² 1 CORE		BROWN
6	2.5mm ² 1 CORE		BLUE
7	2.5mm ² 1 CORE		BROWN
8	2.5mm ² 1 CORE		BLUE
9	1.5mm ² 1 CORE		BROWN
10	1.5mm ² 1 CORE		BLUE
11	1.5mm ² 1 CORE		BROWN
12	1.5mm ² 1 CORE		BLUE
13	2.5mm ² 1 CORE		YEL/GRN
14	1.0mm ² 1 CORE	70-0180	RED
15	1.0mm ² 1 CORE	70-0180	RED
16	1.0mm ² 1 CORE	70-0179	BLACK
17	2.0mm ² 1 CORE	70-0280	RED
18	2.0mm ² 1 CORE	70-0280	RED
19	2.0mm ² 1 CORE	70-0280	RED
20	2.0mm ² 1 CORE	70-0280	RED
21	1.5mm ² 1 CORE		BROWN
22	1.5mm ² 1 CORE		BLUE
23	2.0mm ² 1 CORE	70-0180	RED
24	2.0mm ² 1 CORE	70-0291	BLACK
25	1.5mm ² 1 CORE		BROWN
26	1.5mm ² 1 CORE		BLUE
27	2.5mm ² 1 CORE		YEL/GRN
28	2.5mm ² 3 CORE		GE/YE-BN-BU
29	2.5mm ² 3 CORE		GE/YE-BN-BU

UNCONTROLLED DOCUMENT
CHECK FOR AMENDMENTS BEFORE USE

USED IN CONJUNCTION WITH TCP-4070-05 SD

ISS	DESCRIPTION	CHKD	DATE	ISS	DESCRIPTION	CHKD	DATE
B	SEE DCA 00647		08/11				
A	INITIAL ISSUE		08/11				

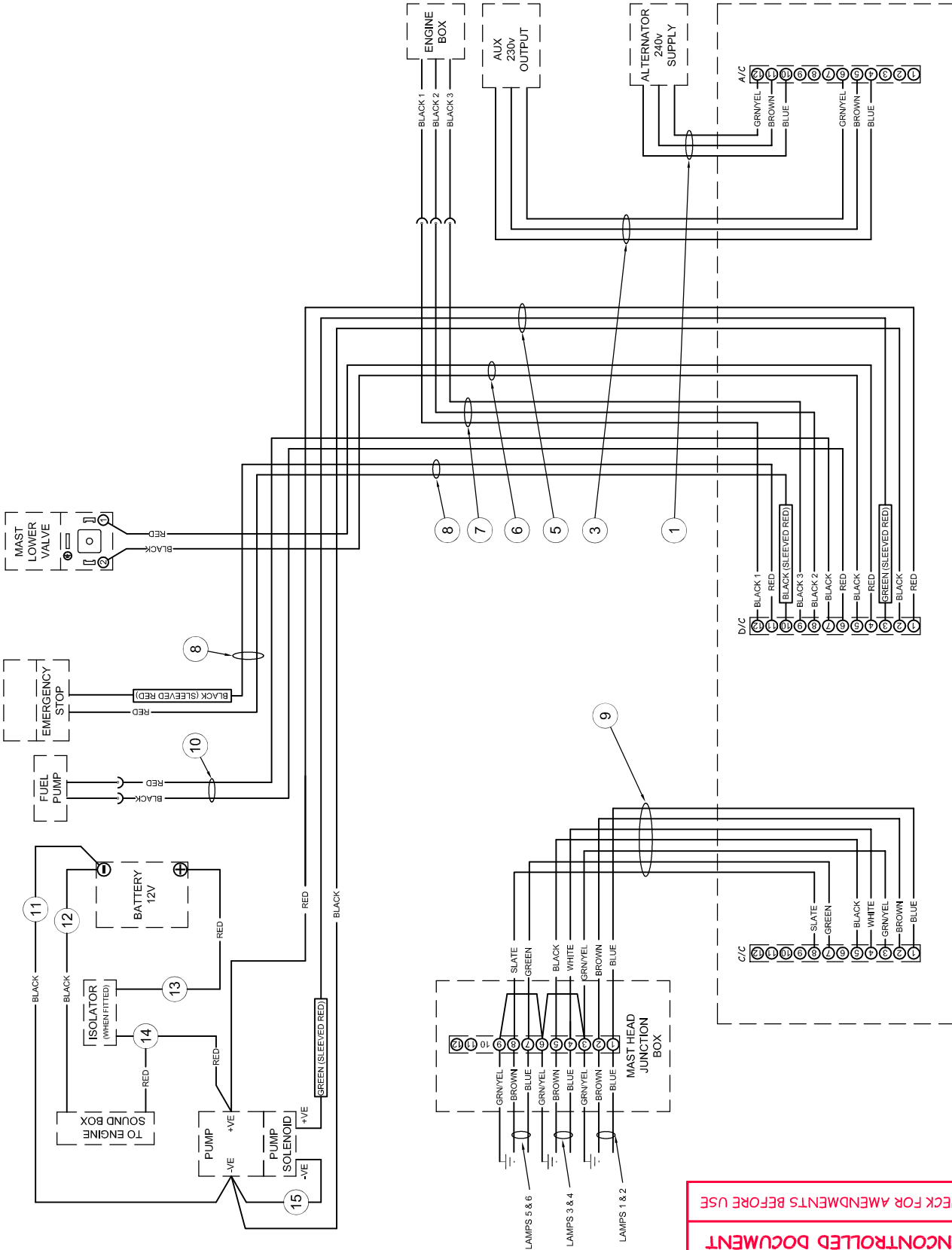
TAYLOR CONSTRUCTION PLANT LTD.		TITLE: CABLE IDENTIFICATION AND TERMINATION ECOLITE-T & P	
QUAYSIDE PARK, BATES ROAD, MALDON, ESSEX, CM9 5FA		DRN LSV	
TEL: 441621 650777 FAX: 441621 943330		CHKD	
WWW.TCP.EU.COM		APPD	
		DATE	
		20.06.2011	

DWG No.	TCP-4070-05 WS	Sht. 1 of 2
A B C D E F G H		

THIS DRAWING IS THE PROPERTY OF TAYLOR CONSTRUCTION PLANT LTD. AND MUST NOT BE COPIED, REPRODUCED OR DISCLOSED EXCEPT AS AUTHORISED IN WRITING BY TAYLOR CONSTRUCTION PLANT LTD. ©

2009

TAYLOR CONSTRUCTION PLANT LTD. RESERVE THE RIGHT TO CHANGE PRODUCTS & SPECIFICATIONS WITHOUT PRIOR NOTICE.



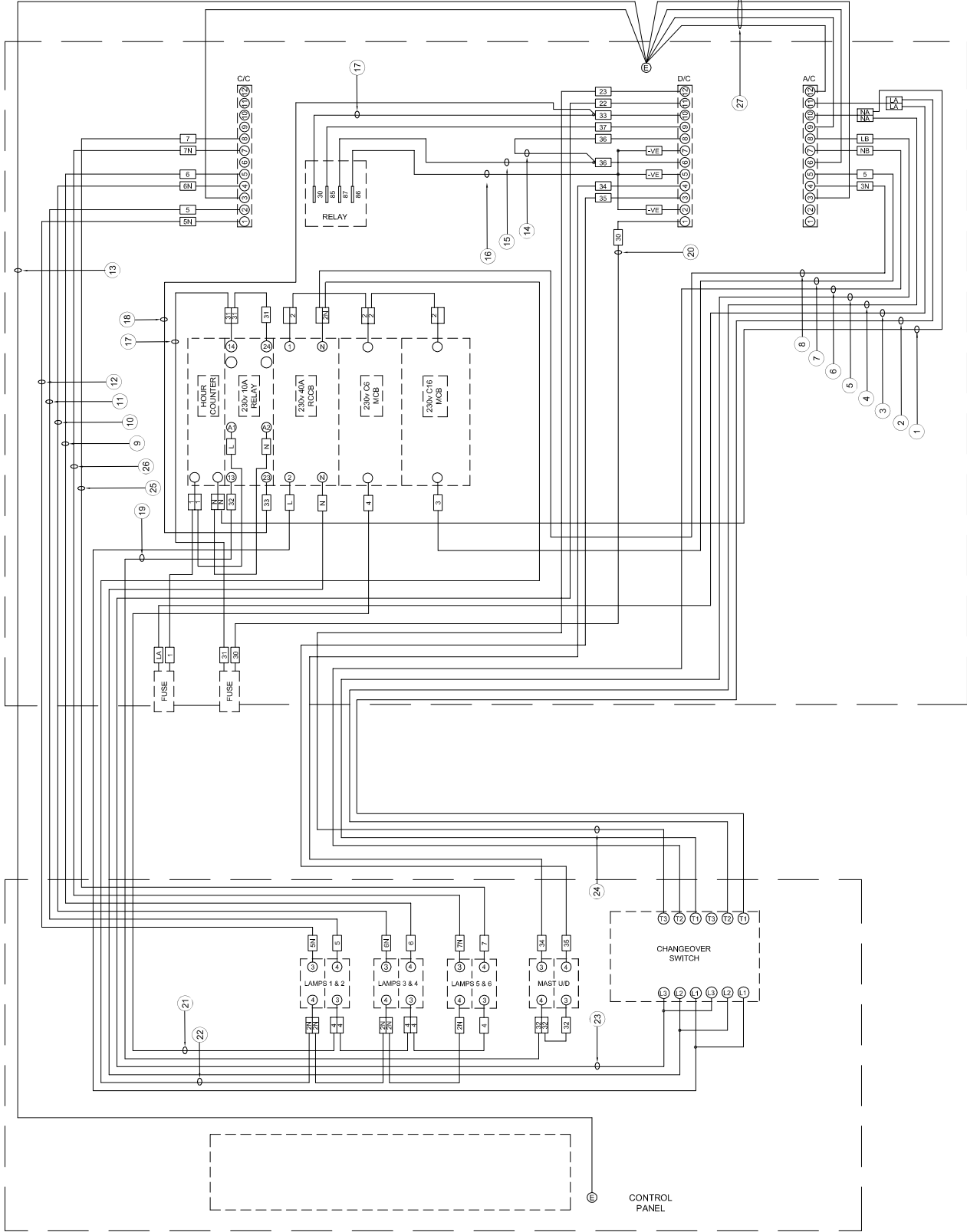
Item	Drwg No.	Stk. No.	Core Colours
1	2.5mm ² 3 CORE	71-0062	GE/YE-BN-BU
2			
3	2.5mm ² 3 CORE	71-0062	GE/YE-BN-BU
4			
5	2.5mm ² 3 CORE	71-0372	BK Numbered
6	1.5mm ² 2 CORE	71-0347	RD-BK
7**	2.5mm ² 3 CORE	71-0372	BK Numbered
8	2.5mm ² 2 CORE	71-0348	RD-BK
9	CURLY CORD	71-0273	MULTI COLOUR
10	1.5mm ² 2 CORE	71-0347	RD-BK
11	16mm ² 1 CORE	73-3073	BK
12	16mm ² 1 CORE	73-3071	BK
13	16mm ² 1 CORE	73-3070	RD
14	16mm ² 1 CORE	73-3072	RD
16	1.5mm ² 2 CORE	71-0347	RD-BK
17	1.5mm ² 2 CORE	71-0347	RD-BK
18	2.0mm ² 8 CORE		MULTI COLOUR

NOTE:
CABLE NO. 7 IS A SPECIAL SIGNAL CABLE.
i.e. THE 3 INNER CORES ARE BLACK & NUMBERED

USED IN CONJUNCTION WITH TCP-4070-06 SD

ISS		DESCRIPTION		CHK'D		DATE		ISS		DESCRIPTION		CHK'D		DATE	
B	SEE DCA 00647						08/11								
A	INITIAL ISSUE						06/11								

TAYLOR CONSTRUCTION PLANT LTD.		QUAYSIDE PARK, BATES ROAD, MALDON, ESSEX, CM9 5FA		TEL+441621 850777 FAX+441621 848330		WWW.TCP.EU.COM	
TITLE: CABLE IDENTIFICATION AND TERMINATION, ECOLITE-T & P							
DWG No. TCP-4070-05 WS				Sht. 2 of 2		DRN LSV	
DWG No. TCP-4070-05 WS				Sht. 2 of 2		CHK'D	
DWG No. TCP-4070-05 WS				Sht. 2 of 2		APP'D	
DWG No. TCP-4070-05 WS				Sht. 2 of 2		DATE	
DWG No. TCP-4070-05 WS				Sht. 2 of 2		20.06.2011	



Item	Drwg No.	Strk. No.	Core Colours
1	2.5mm ² 1 CORE		BLUE
2	0.75mm ² 1 CORE		BROWN
3	2.5mm ² 1 CORE		BROWN
4	0.75mm ² 1 CORE		BLUE
5	2.5mm ² 1 CORE		BROWN
6	2.5mm ² 1 CORE		BLUE
7	2.5mm ² 1 CORE		BROWN
8	2.5mm ² 1 CORE		BLUE
9	1.5mm ² 1 CORE		BROWN
10	1.5mm ² 1 CORE		BLUE
11	1.5mm ² 1 CORE		BROWN
12	1.5mm ² 1 CORE		BLUE
13	2.5mm ² 1 CORE		YEL/GRN
14	1.0mm ² 1 CORE	70-0180	RED
15	1.0mm ² 1 CORE	70-0180	RED
16	1.0mm ² 1 CORE	70-0179	BLACK
17	2.0mm ² 1 CORE	70-0280	RED
18	2.0mm ² 1 CORE	70-0280	RED
19	2.0mm ² 1 CORE	70-0280	RED
20	2.0mm ² 1 CORE	70-0280	RED
21	1.5mm ² 1 CORE		BROWN
22	1.5mm ² 1 CORE		BLUE
23	2.0mm ² 1 CORE	70-0180	RED
24	2.0mm ² 1 CORE	70-0291	BLACK
25	1.5mm ² 1 CORE		BROWN
26	1.5mm ² 1 CORE		BLUE
27	2.5mm ² 1 CORE		YEL/GRN
28	2.5mm ² 3 CORE		GE/YE-BN-BU
29	2.5mm ² 3 CORE		GE/YE-BN-BU

UNCONTROLLED DOCUMENT
CHECK FOR AMENDMENTS BEFORE USE

USED IN CONJUNCTION WITH TCP-4070-06 SD

ISS	DESCRIPTION	CHKD	DATE	ISS	DESCRIPTION	CHKD	DATE
B	SEE DCA 00647		08/11				
A	INITIAL ISSUE		08/11				

TAYLOR CONSTRUCTION PLANT LTD.		TITLE: CABLE IDENTIFICATION AND TERMINATION ECOLITE-T & P	
QUAYSIDE PARK, BATES ROAD, MALDON, ESSEX, CM9 5FA		DRN LSV	
TEL: 441621 650777 FAX: 441621 943330		CHKD	
WWW.TCP.EU.COM		APPD	
		DATE	
		20.06.2011	

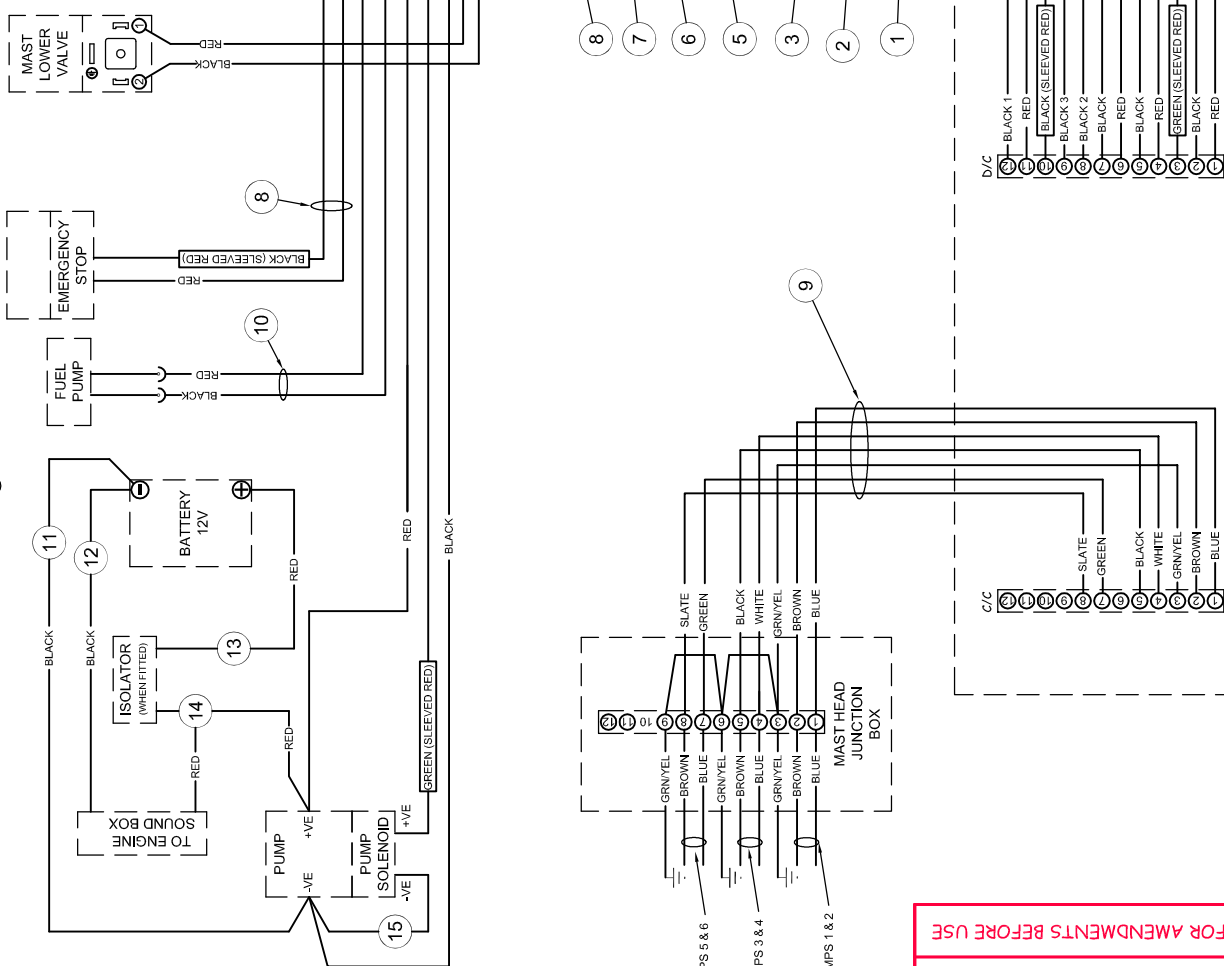
DWG No.	TCP-4070-06 WS	Sht.	1 of 2
		H	

THIS DRAWING IS THE PROPERTY OF TAYLOR CONSTRUCTION PLANT LTD. AND MUST NOT BE COPIED, REPRODUCED OR DISCLOSED EXCEPT AS AUTHORISED IN WRITING BY TAYLOR CONSTRUCTION PLANT LTD. ©

2009

TAYLOR CONSTRUCTION PLANT LTD. RESERVE THE RIGHT TO CHANGE PRODUCTS & SPECIFICATIONS WITHOUT PRIOR NOTICE.

DWG No. TCP-4070-06 WS



Item	Drwg No.	Stk. No.	Core Colours
1	2.5mm ² 3 CORE	71-0062	GE/YE-BN-BU
2	2.5mm ² 3 CORE	71-0062	GE/YE-BN-BU
3	2.5mm ² 3 CORE	71-0062	GE/YE-BN-BU
4			
5	2.5mm ² 3 CORE	71-0372	BK Numbered
6	1.5mm ² 2 CORE	71-0347	RD-BK
7**	2.5mm ² 3 CORE	71-0372	BK Numbered
8	2.5mm ² 2 CORE	71-0348	RD-BK
9	CURLY CORE	71-0273	MULTI COLOUR
10	1.5mm ² 2 CORE	71-0347	RD-BK
11	16mm ² 1 CORE	73-3073	BK
12	16mm ² 1 CORE	73-3071	BK
13	16mm ² 1 CORE	73-3070	RD
14	16mm ² 1 CORE	73-3072	RD
16	1.5mm ² 2 CORE	71-0347	RD-BK
17	1.5mm ² 2 CORE	71-0347	RD-BK
18	2.0mm ² 8 CORE		MULTI COLOUR

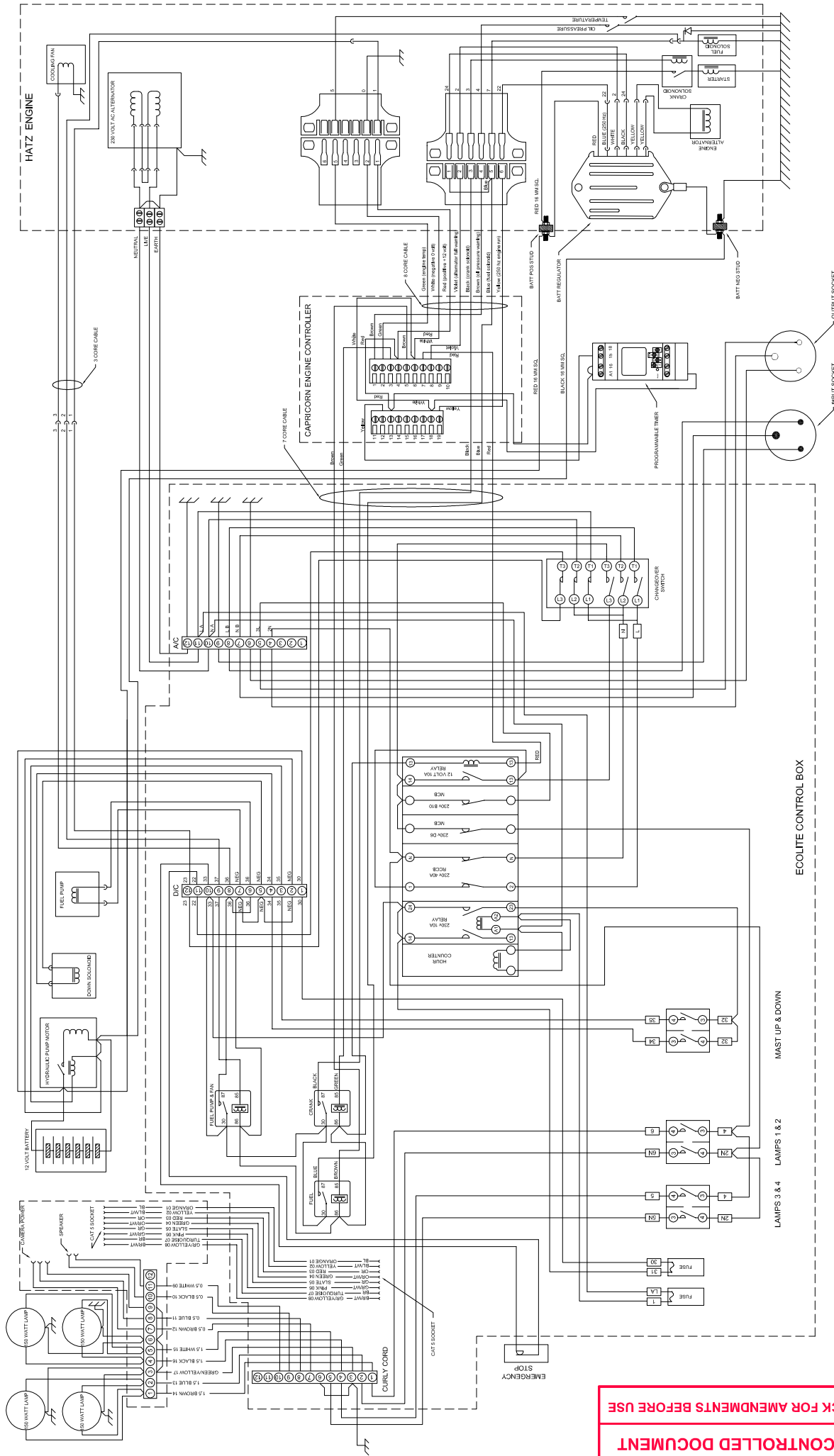
NOTE:
CABLE NO. 7 IS A SPECIAL SIGNAL CABLE.
i.e. THE 3 INNER CORES ARE BLACK & NUMBERED

USED IN CONJUNCTION WITH TCP-4070-06 SD

ISS	DESCRIPTION	CHK'D	DATE	ISS	DESCRIPTION	CHK'D	DATE
B	SEE DCA 00647		08/11				
A	INITIAL ISSUE		06/11				

TAYLOR CONSTRUCTION PLANT LTD.		TAYLOR CONSTRUCTION PLANT LTD.	
QUAYSIDE PARK, BATES ROAD, MILDON, ESSEX, CM9 5FA TEL+441621 850777 FAX+441621 843330 WWW.TCP.EU.COM	QUAYSIDE PARK, BATES ROAD, MILDON, ESSEX, CM9 5FA TEL+441621 850777 FAX+441621 843330 WWW.TCP.EU.COM	DRN LSV	CHK'D
		APP'D	DATE
			20/06/2011

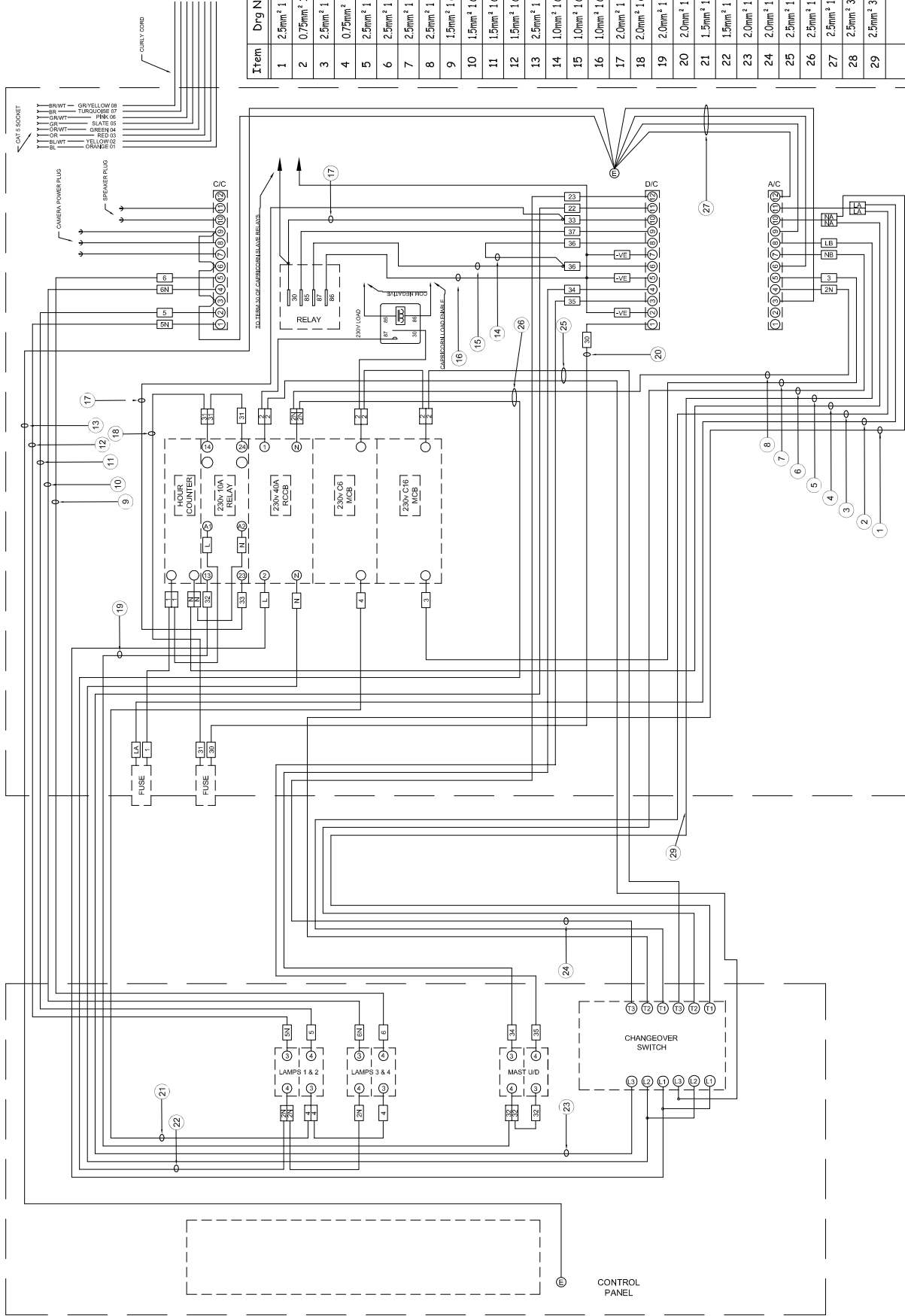
TITLE: CABLE IDENTIFICATION AND TERMINATION, ECOLITE-T & P		DWG No. TCP-4070-06 WS	
		Sht. 2 of 2	



UNCONTROLLED DOCUMENT
CHECK FOR AMENDMENTS BEFORE USE

ISS	DESCRIPTION	CHKD	DATE	ISS	DATE	DESCRIPTION	CHKD	DATE	ISS	DATE	DESCRIPTION	CHKD	DATE
A	INITIAL ISSUE		05/11										

TAYLOR CONSTRUCTION PLANT LTD. QUAYSIDE PARK, BATES ROAD, MALDON, ESSEX, CM9 5FA TEL: +441621 650777 FAX: +441621 943330 WWW.TCP.EU.COM	TITLE: SCHEMATIC, CAPRICORN CONTROL COMMS TOWER, ECOLITE P	DRN LSV
DWG No. TCP-4070-07 SD	Sh. 1 of 1	CHKD APPD
		DATE 17.05.2011



UNCONTROLLED DOCUMENT
CHECK FOR AMENDMENTS BEFORE USE

Item	Drwg No.	Strk. No.	Core Colours
1	2.5mm ² 1 CORE		BLUE
2	0.75mm ² 1 CORE		BROWN
3	2.5mm ² 1 CORE		BROWN
4	0.75mm ² 1 CORE		BLUE
5	2.5mm ² 1 CORE		BROWN
6	2.5mm ² 1 CORE		BLUE
7	2.5mm ² 1 CORE		BROWN
8	2.5mm ² 1 CORE		BLUE
9	1.5mm ² 1 CORE		BROWN
10	1.5mm ² 1 CORE		BLUE
11	1.5mm ² 1 CORE		BROWN
12	1.5mm ² 1 CORE		BLUE
13	2.5mm ² 1 CORE		YEL/GRN
14	1.0mm ² 1 CORE	70-0180	RED
15	1.0mm ² 1 CORE	70-0180	RED
16	1.0mm ² 1 CORE	70-0179	BLACK
17	2.0mm ² 1 CORE	70-0280	RED
18	2.0mm ² 1 CORE	70-0280	RED
19	2.0mm ² 1 CORE	70-0280	RED
20	2.0mm ² 1 CORE	70-0280	RED
21	1.5mm ² 1 CORE		BROWN
22	1.5mm ² 1 CORE		BLUE
23	2.0mm ² 1 CORE	70-0180	RED
24	2.0mm ² 1 CORE	70-0291	BLACK
25	2.5mm ² 1 CORE		BROWN
26	2.5mm ² 1 CORE		BLUE
27	2.5mm ² 1 CORE		YEL/GRN
28	2.5mm ² 3 CORE		GE/YE-BN-BU
29	2.5mm ² 3 CORE		GE/YE-BN-BU

USED IN CONJUNCTION WITH TCP-4070-07 SD

TITLE: CABLE IDENTIFICATION AND TERMINATION ECOLITE-P

TAYLOR CONSTRUCTION PLANT LTD.
QUAYSIDE PARK, BATES ROAD,
MALDON, ESSEX, CM9 5FA
TEL+441621 650777 FAX+441621 943330
WWW.TCP.EU.COM

DRN LSV
CHKD
APPD
DATE
21.06.2011

DWG No. TCP-4070-07 WS

Sht. 1 of 2

DESCRIPTION

CHKD DATE

ISS DATE

CHKD DATE

DESCRIPTION

ISS DATE

CHKD DATE

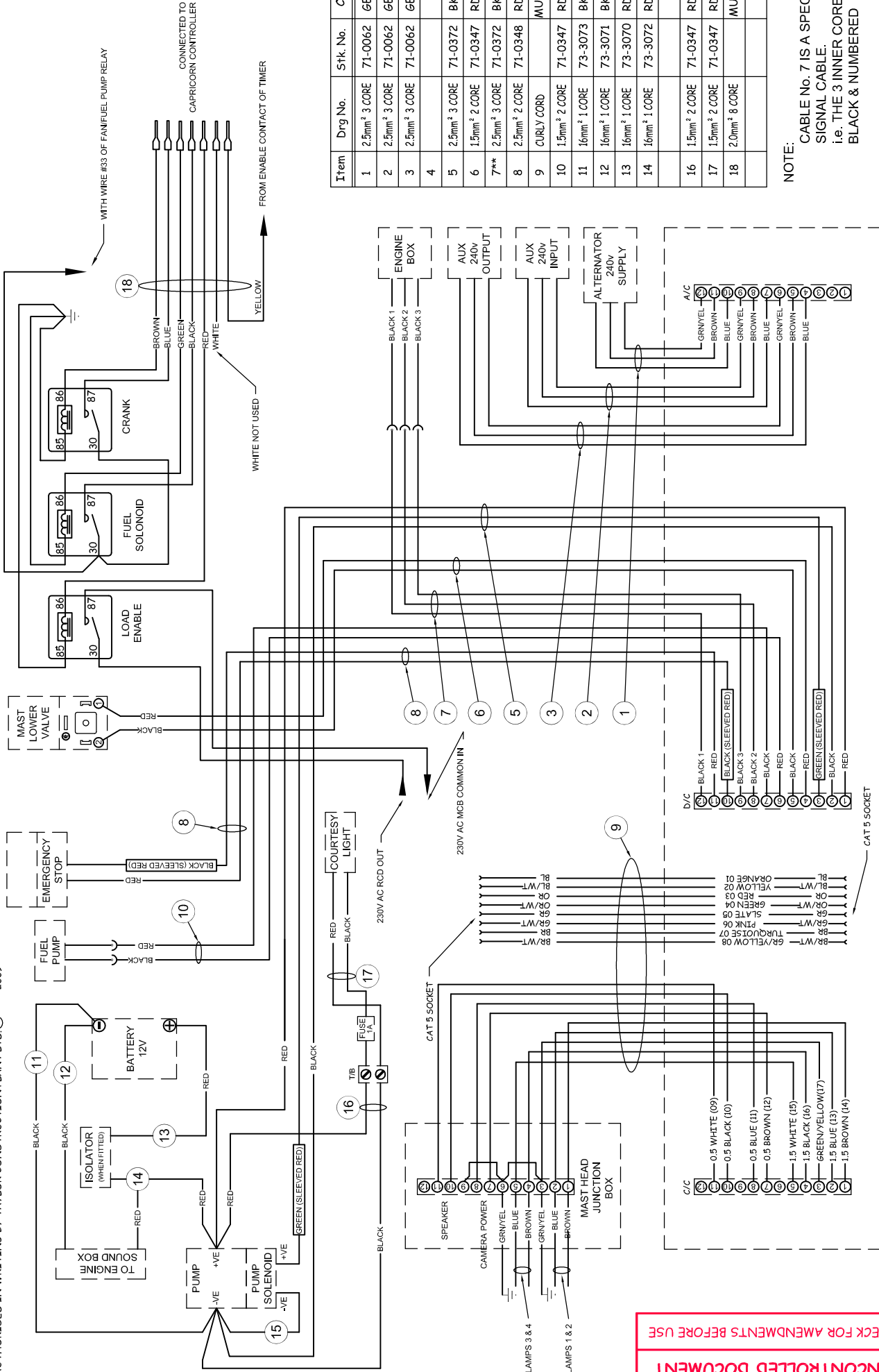
DESCRIPTION

THIS DRAWING IS THE PROPERTY OF TAYLOR CONSTRUCTION PLANT LTD. AND MUST NOT BE COPIED, REPRODUCED OR DISCLOSED EXCEPT AS AUTHORISED IN WRITING BY TAYLOR CONSTRUCTION PLANT LTD. ©

2009

TAYLOR CONSTRUCTION PLANT LTD. RESERVE THE RIGHT TO CHANGE PRODUCTS & SPECIFICATIONS WITHOUT PRIOR NOTICE.

DWG No. TCP-4070-07 WS



Item	Drwg No.	Stk. No.	Core Colours
1	2.5mm ² 3 CORE	71-0062	GE/YE-BN-BU
2	2.5mm ² 3 CORE	71-0062	GE/YE-BN-BU
3	2.5mm ² 3 CORE	71-0062	GE/YE-BN-BU
4			
5	2.5mm ² 3 CORE	71-0372	BK Numbered
6	1.5mm ² 2 CORE	71-0347	RD-BK
7**	2.5mm ² 3 CORE	71-0372	BK Numbered
8	2.5mm ² 2 CORE	71-0348	RD-BK
9	CURLY CORD		MULTI COLOUR
10	1.5mm ² 2 CORE	71-0347	RD-BK
11	1.5mm ² 1 CORE	73-3073	BK
12	1.5mm ² 1 CORE	73-3071	BK
13	1.5mm ² 1 CORE	73-3070	RD
14	1.5mm ² 1 CORE	73-3072	RD
16	1.5mm ² 2 CORE	71-0347	RD-BK
17	1.5mm ² 2 CORE	71-0347	RD-BK
18	2.0mm ² 8 CORE		MULTI COLOUR

NOTE:
CABLE NO. 7 IS A SPECIAL SIGNAL CABLE.
i.e. THE 3 INNER CORES ARE BLACK & NUMBERED

UNCONTROLLED DOCUMENT
CHECK FOR AMENDMENTS BEFORE USE

USED IN CONJUNCTION WITH TCP-4070-07 SD

ISS	DESCRIPTION	CHK'D	DATE	ISS	DESCRIPTION	CHK'D	DATE
B	SEE DCA 00647		08/11				
A	INITIAL ISSUE		06/11				

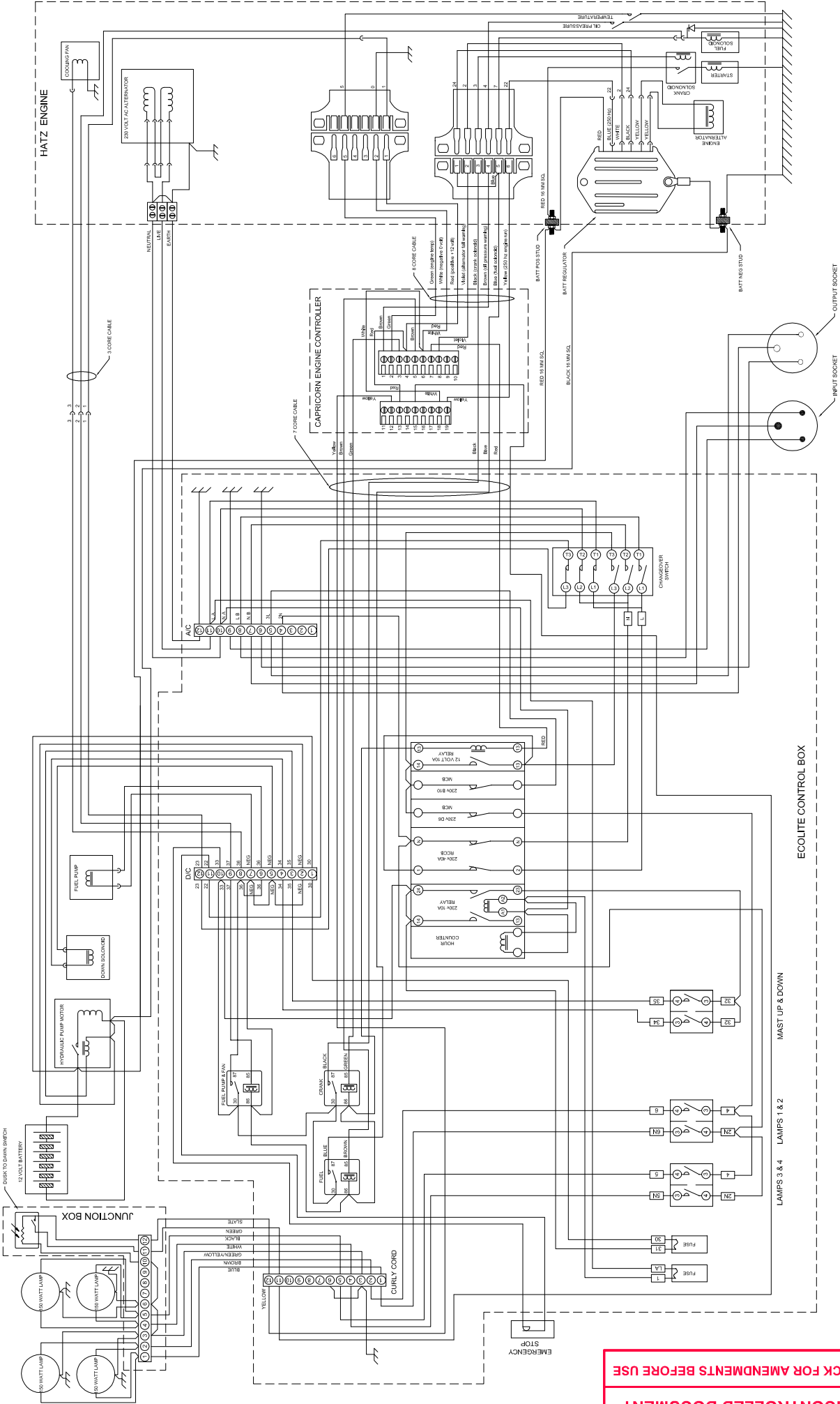
TAYLOR CONSTRUCTION PLANT LTD.		TITLE: CABLE IDENTIFICATION AND TERMINATION, ECOLITE-P	
QUAYSIDE PARK, BATES ROAD, MALDON, ESSEX, CM9 5FA		DRN LSV	
TEL+441621 850777 FAX+441621 843330		CHK'D	
WWW.TCP.EU.COM		APP'D	
		DATE	
		20.06.2011	
		DWG No. TCP-4070-07 WS	
		Sht. 2 of 2	

THIS DRAWING IS THE PROPERTY OF TAYLOR CONSTRUCTION PLANT LTD. AND MUST NOT BE COPIED, REPRODUCED OR DISCLOSED EXCEPT AS AUTHORIZED IN WRITING BY TAYLOR CONSTRUCTION PLANT LTD. © 2009

TAYLOR CONSTRUCTION PLANT LTD. RESERVE THE RIGHT TO CHANGE PRODUCTS & SPECIFICATIONS WITHOUT PRIOR NOTICE.

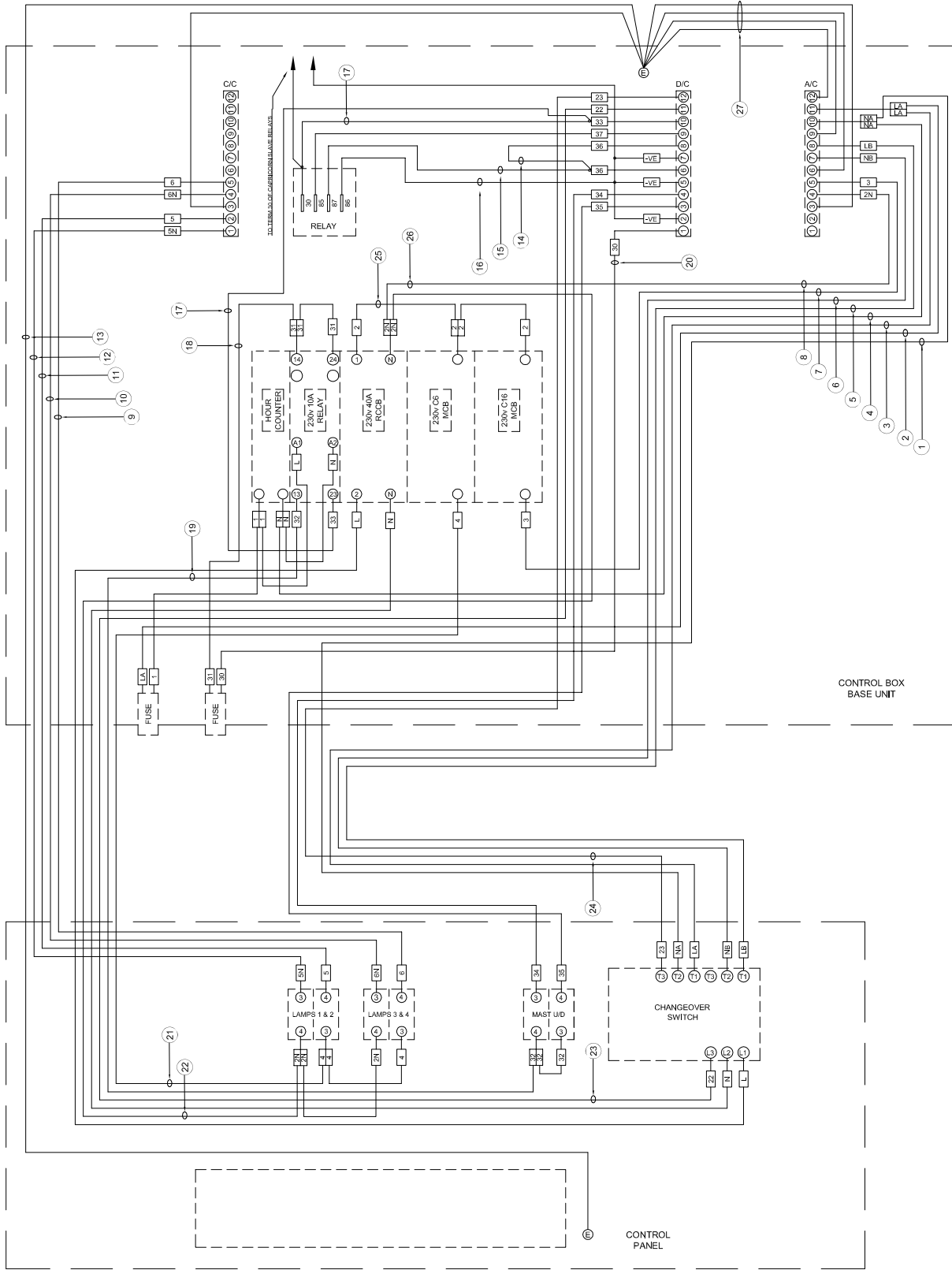
8

DWG No. TCP-4070-08 SD



UNCONTROLLED DOCUMENT
CHECK FOR AMENDMENTS BEFORE USE

ISS	A	INITIAL ISSUE	05/11	CHKD	DATE	ISS	B	DESCRIPTION	LAMPS 3 & 4	C	DESCRIPTION	LAMPS 1 & 2	D	DESCRIPTION	MAST UP & DOWN	E	DESCRIPTION	CHANGEOVER SWITCH	F	DESCRIPTION	INPUT SOCKET	G	DESCRIPTION	OUTPUT SOCKET	H
<p>TITLE: SCHEMATIC, CAPRICORN CONTROL 230 VOLT IN / OUT. ECOLITE-T & P</p> <p>TAYLOR CONSTRUCTION PLANT LTD. QUAYSIDE PARK, BATES ROAD, MALDON, ESSEX, CM6 5FA TEL: +44 1621 650777 FAX: +44 1627 943330 WWW.TCP.EU.COM</p>																									
<p>DRN LSV CHKD APPD DATE 17.05.2011</p>																									
<p>DWG No. TCP-4070-08 SD</p>																									
<p>Sht. 1 of 1</p>																									



Item	Drwg No.	Strk. No.	Core Colours
1	2.5mm ² 1 CORE		BLUE
2	0.75mm ² 1 CORE		BROWN
3	2.5mm ² 1 CORE		BROWN
4	0.75mm ² 1 CORE		BLUE
5	2.5mm ² 1 CORE		BROWN
6	2.5mm ² 1 CORE		BLUE
7	2.5mm ² 1 CORE		BROWN
8	2.5mm ² 1 CORE		BLUE
9	1.5mm ² 1 CORE		BROWN
10	1.5mm ² 1 CORE		BLUE
11	1.5mm ² 1 CORE		BROWN
12	1.5mm ² 1 CORE		BLUE
13	2.5mm ² 1 CORE		YEL/GRN
14	1.0mm ² 1 CORE	70-0180	RED
15	1.0mm ² 1 CORE	70-0180	RED
16	1.0mm ² 1 CORE	70-0179	BLACK
17	2.0mm ² 1 CORE	70-0280	RED
18	2.0mm ² 1 CORE	70-0280	RED
19	2.0mm ² 1 CORE	70-0280	RED
20	2.0mm ² 1 CORE	70-0280	RED
21	1.5mm ² 1 CORE		BROWN
22	1.5mm ² 1 CORE		BLUE
23	2.0mm ² 1 CORE	70-0180	RED
24	2.0mm ² 1 CORE	70-0291	BLACK
25	2.5mm ² 1 CORE		BROWN
26	2.5mm ² 1 CORE		BLUE
27	2.5mm ² 1 CORE		YEL/GRN

UNCONTROLLED DOCUMENT
CHECK FOR AMENDMENTS BEFORE USE

USED IN CONJUNCTION WITH TCP-4070-08 SD

ISS	DESCRIPTION	CHKD	DATE	ISS	DESCRIPTION	CHKD	DATE
B	SEE DCA 00647		08/11				
A	INITIAL ISSUE		05/11				

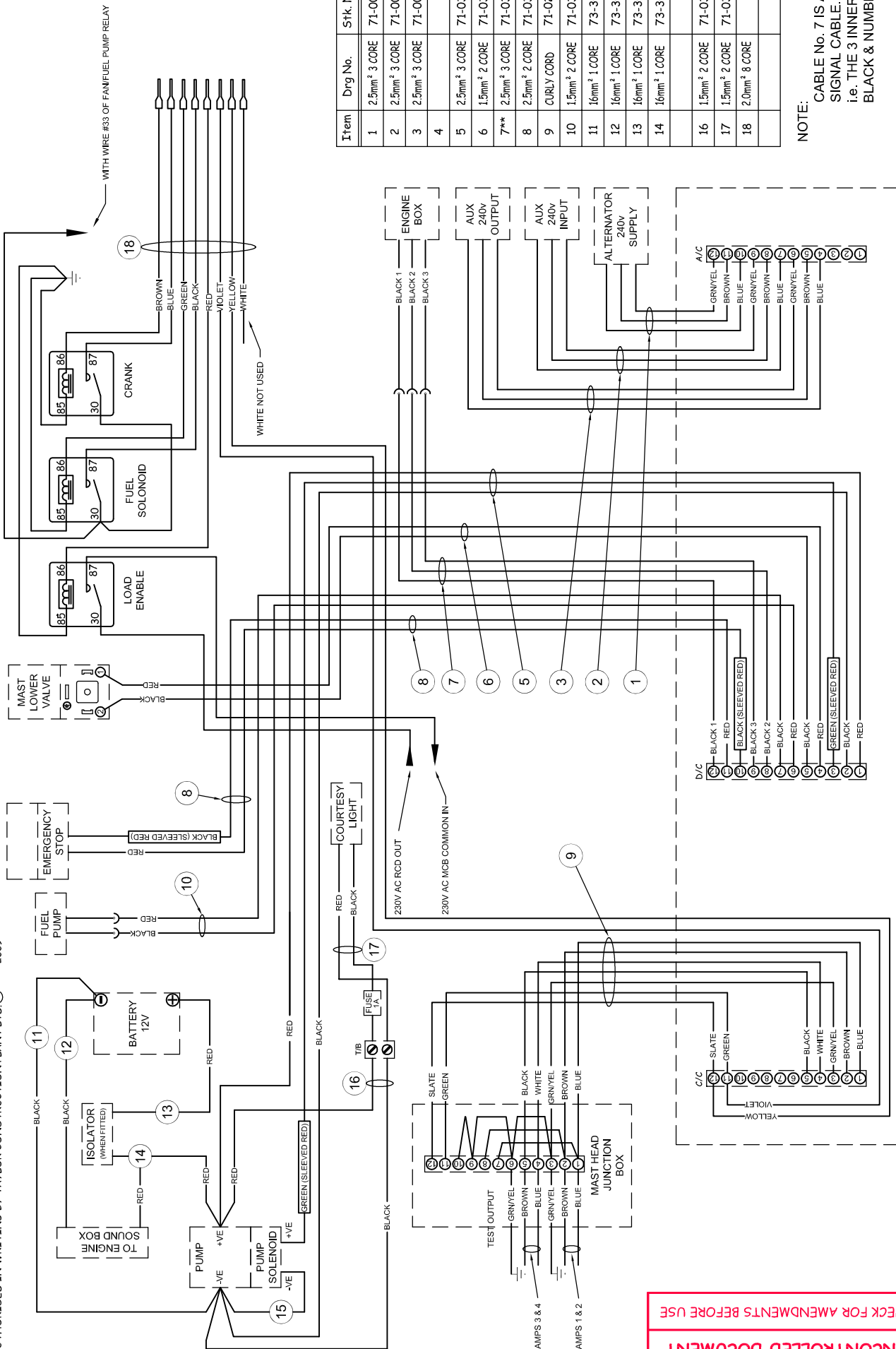
TAYLOR CONSTRUCTION PLANT LTD.		TITLE: CABLE IDENTIFICATION AND TERMINATION ECOLITE-T & P	
QUAYSIDE PARK, BATES ROAD, MALDON, ESSEX, CM9 5FA		DRN LSV	
TEL: +441621 650777 FAX: +441621 943330		CHKD	
WWW.TCP.EU.COM		APPD	
		DATE	
		17.05.2011	

DWG No.	TCP-4070-08 WS	Sht. 1 of 2
A		
B		
C		
D		
E		
F		
G		
H		

THIS DRAWING IS THE PROPERTY OF TAYLOR CONSTRUCTION PLANT LTD. AND MUST NOT BE COPIED, REPRODUCED OR DISCLOSED EXCEPT AS AUTHORISED IN WRITING BY TAYLOR CONSTRUCTION PLANT LTD. ©

2009

TAYLOR CONSTRUCTION PLANT LTD. RESERVE THE RIGHT TO CHANGE PRODUCTS & SPECIFICATIONS WITHOUT PRIOR NOTICE.



UNCONTROLLED DOCUMENT
CHECK FOR AMENDMENTS BEFORE USE

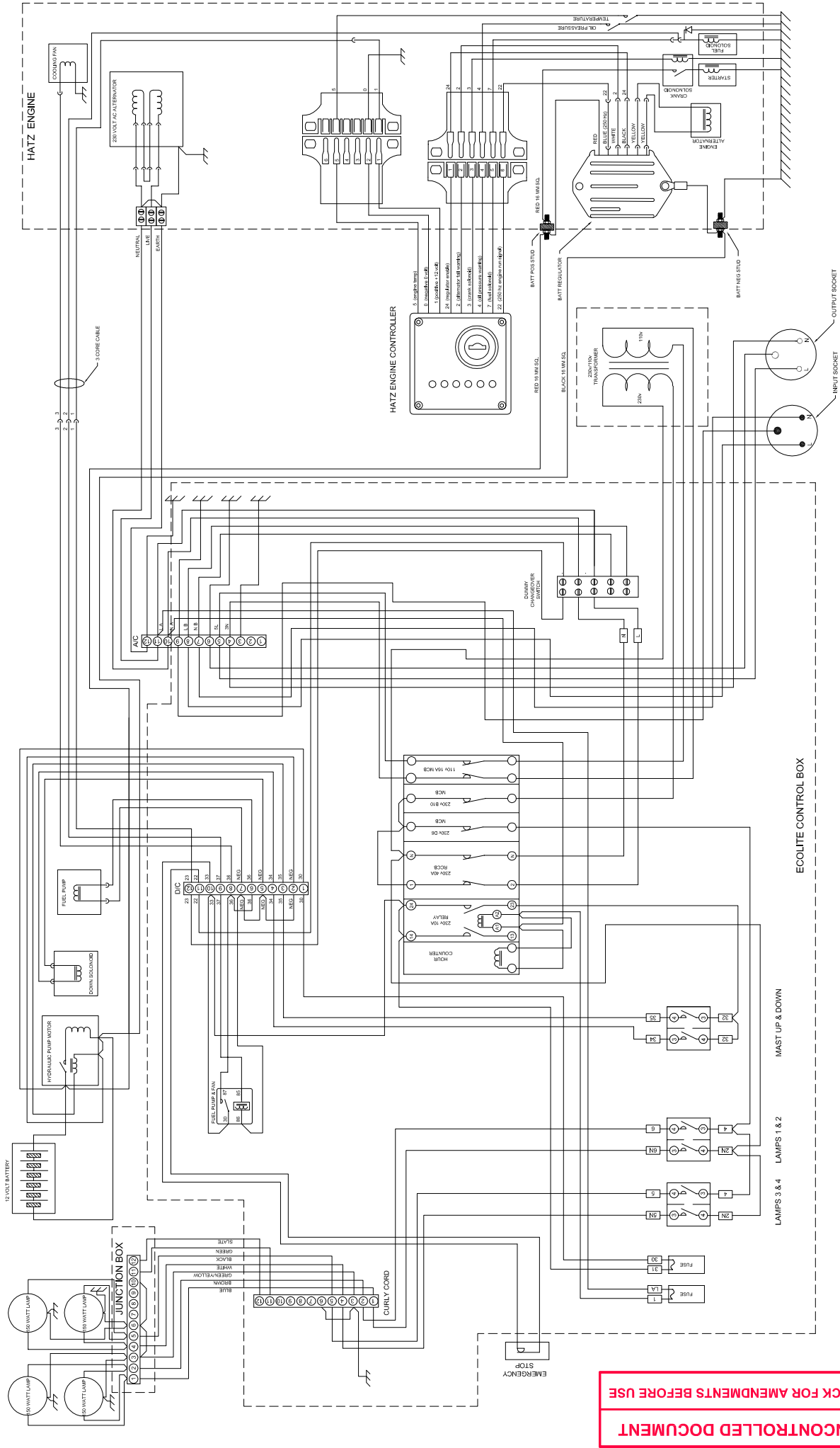
Item	Drwg No.	Stk. No.	Core Colours
1	2.5mm ² 3 CORE	71-0062	GE/YE-BN-BU
2	2.5mm ² 3 CORE	71-0062	GE/YE-BN-BU
3	2.5mm ² 3 CORE	71-0062	GE/YE-BN-BU
4			
5	2.5mm ² 3 CORE	71-0372	BK Numbered
6	1.5mm ² 2 CORE	71-0347	RD-BK
7**	2.5mm ² 3 CORE	71-0372	BK Numbered
8	2.5mm ² 2 CORE	71-0348	RD-BK
9	CURLY CORD	71-0273	MULTI COLOUR
10	1.5mm ² 2 CORE	71-0347	RD-BK
11	1.5mm ² 1 CORE	73-3073	BK
12	1.5mm ² 1 CORE	73-3071	BK
13	1.5mm ² 1 CORE	73-3070	RD
14	1.5mm ² 1 CORE	73-3072	RD
16	1.5mm ² 2 CORE	71-0347	RD-BK
17	1.5mm ² 2 CORE	71-0347	RD-BK
18	2.0mm ² 8 CORE		MULTI COLOUR

NOTE:
CABLE NO. 7 IS A SPECIAL SIGNAL CABLE.
i.e. THE 3 INNER CORES ARE BLACK & NUMBERED

USED IN CONJUNCTION WITH TCP-4070-08 SD

ISS		DESCRIPTION		CHK'D		DATE		ISS		DESCRIPTION		CHK'D		DATE	
B	SEE DCA 00647						08/11								
A	INITIAL ISSUE						05/11								

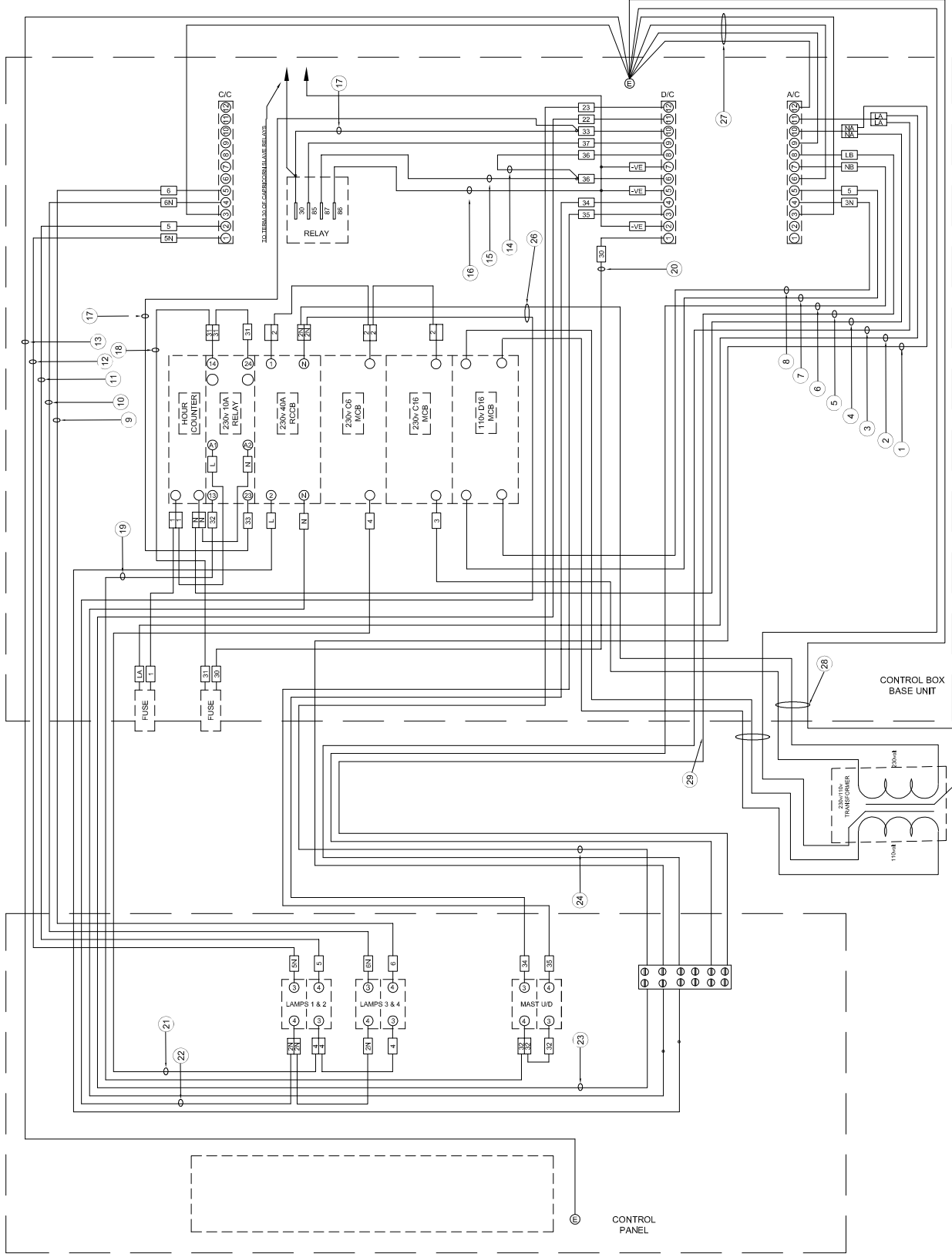
TAYLOR CONSTRUCTION PLANT LTD.		TITLE: CABLE IDENTIFICATION AND TERMINATION, ECOLITE-T & P		DRN		LSV	
QUAYSIDE PARK, BATES ROAD, MALDON, ESSEX, CM9 5FA				CHK'D			
TEL+441621 850777 FAX+441621 843330				APP'D			
WWW.TCP.EU.COM				DATE		17.05.2011	
		DWG No. TCP-4070-08 WS		Sht. 2 of 2			



UNCONTROLLED DOCUMENT
CHECK FOR AMENDMENTS BEFORE USE

ISS	DESCRIPTION	DATE	CHKD	ISS	DESCRIPTION	DATE	CHKD
A	INITIAL ISSUE	08/11					

DRN	LSV	TITLE:	SCHEMATIC, HATZ CONTROL 110 V OUT. ECOLITE-T & P	Sh. 1 of 1
	CHKD	DWG No.	TCP-4070-09 SD	
	APPD	DATE	17.06.2011	



Item	Drwg No.	Strk. No.	Core Colours
1	2.5mm ² 1 CORE		BLUE
2	0.75mm ² 1 CORE		BROWN
3	2.5mm ² 1 CORE		BROWN
4	0.75mm ² 1 CORE		BLUE
5	2.5mm ² 1 CORE		BROWN
6	2.5mm ² 1 CORE		BLUE
7	2.5mm ² 1 CORE		BROWN
8	2.5mm ² 1 CORE		BLUE
9	1.5mm ² 1 CORE		BROWN
10	1.5mm ² 1 CORE		BLUE
11	1.5mm ² 1 CORE		BROWN
12	1.5mm ² 1 CORE		BLUE
13	2.5mm ² 1 CORE		YEL/GRN
14	1.0mm ² 1 CORE	70-0180	RED
15	1.0mm ² 1 CORE	70-0180	RED
16	1.0mm ² 1 CORE	70-0179	BLACK
17	2.0mm ² 1 CORE	70-0280	RED
18	2.0mm ² 1 CORE	70-0280	RED
19	2.0mm ² 1 CORE	70-0280	RED
20	2.0mm ² 1 CORE	70-0280	RED
21	1.5mm ² 1 CORE		BROWN
22	1.5mm ² 1 CORE		BLUE
23	2.0mm ² 1 CORE	70-0180	RED
24	2.0mm ² 1 CORE	70-0291	BLACK
25			
26	2.5mm ² 1 CORE		BLUE
27	2.5mm ² 1 CORE		YEL/GRN
28	2.5mm ² 3 CORE		GE/YE-BN-BU
29	2.5mm ² 3 CORE		GE/YE-BN-BU

UNCONTROLLED DOCUMENT
CHECK FOR AMENDMENTS BEFORE USE

USED IN CONJUNCTION WITH TCP-4070-09 SD

TITLE: CABLE IDENTIFICATION AND TERMINATION ECOLITE-T & P

TAYLOR CONSTRUCTION PLANT LTD.
QUAYSIDE PARK, BATES ROAD,
MALDON, ESSEX, CM9 5FA
TEL: 441621 650777 FAX: 441621 943330
WWW.TCP.EU.COM

ISS	DESCRIPTION	CHKD	DATE	ISS	DESCRIPTION	CHKD	DATE
B	SEE DCA 00647		08/11				
A	INITIAL ISSUE		08/11				

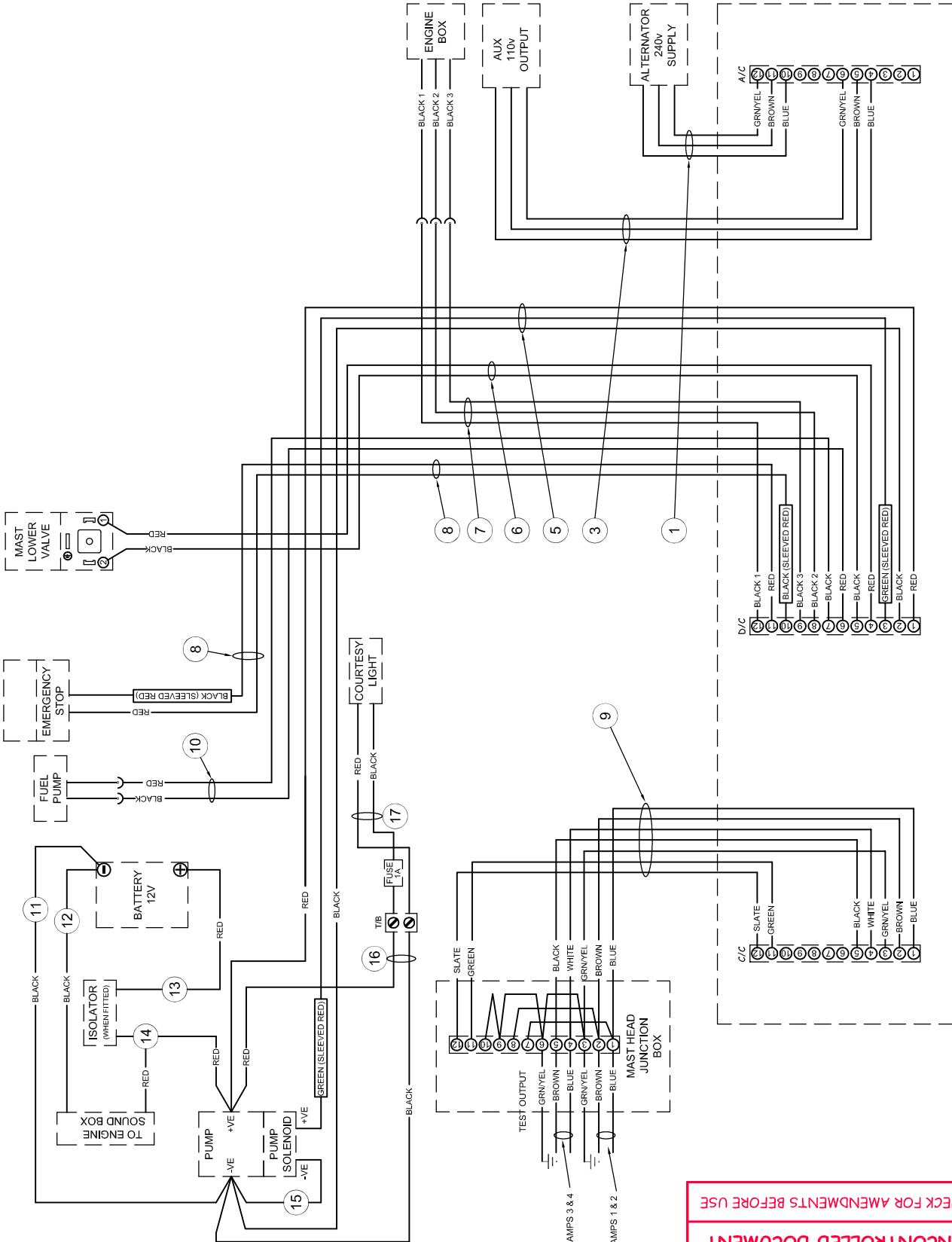
DRN	LSV
CHKD	
APPD	
DATE	17.06.2011

DWG No. TCP-4070-09 WS Sht. 1 of 2 DATE 17.06.2011

THIS DRAWING IS THE PROPERTY OF TAYLOR CONSTRUCTION PLANT LTD. AND MUST NOT BE COPIED, REPRODUCED OR DISCLOSED EXCEPT AS AUTHORISED IN WRITING BY TAYLOR CONSTRUCTION PLANT LTD. ©

2009

TAYLOR CONSTRUCTION PLANT LTD. RESERVE THE RIGHT TO CHANGE PRODUCTS & SPECIFICATIONS WITHOUT PRIOR NOTICE.



UNCONTROLLED DOCUMENT
CHECK FOR AMENDMENTS BEFORE USE

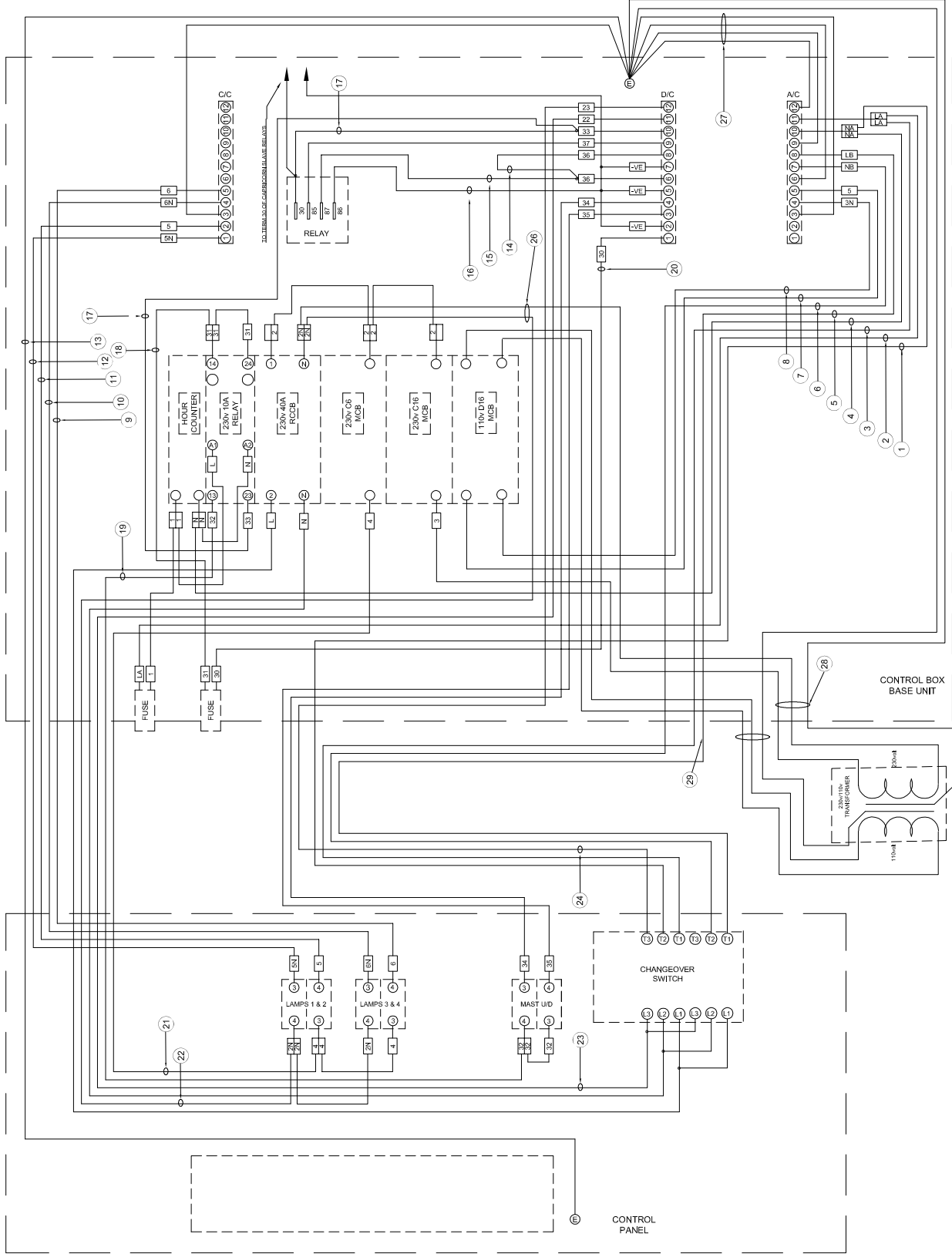
Item	Drwg No.	Stk. No.	Core Colours
1	2.5mm ² 3 CORE	71-0062	GE/YE-BN-BU
2	2.5mm ² 3 CORE	YELLOW	GE/YE-BN-BU
3	2.5mm ² 3 CORE	71-0372	BK Numbered
4	2.5mm ² 3 CORE	71-0347	RD-BK
5	2.5mm ² 3 CORE	71-0372	BK Numbered
6	2.5mm ² 3 CORE	71-0348	RD-BK
7**	2.5mm ² 2 CORE	71-0273	MULTI COLOUR
8	2.5mm ² 2 CORE	71-0347	RD-BK
9	1.5mm ² 1 CORE	73-3073	BK
10	1.5mm ² 1 CORE	73-3071	BK
11	1.5mm ² 1 CORE	73-3070	RD
12	1.5mm ² 1 CORE	73-3072	RD
13	1.5mm ² 2 CORE	71-0347	RD-BK
14	1.5mm ² 2 CORE	71-0347	RD-BK
15	2.0mm ² 8 CORE		MULTI COLOUR

NOTE:
CABLE NO. 7 IS A SPECIAL SIGNAL CABLE.
i.e. THE 3 INNER CORES ARE BLACK & NUMBERED

USED IN CONJUNCTION WITH TCP-4070-10 SD

TAYLOR CONSTRUCTION PLANT LTD. QUAYSIDE PARK, BATES ROAD, MILDON, ESSEX, CM9 5FA TEL+441621 850777 FAX+441621 843330 WWW.TCP.EU.COM		TITLE: CABLE IDENTIFICATION AND TERMINATION, ECOLITE-T & P		DRN LSV
DESCRIPTION		CHK'D	DATE	CHK'D
ISS		ISS	DATE	DATE
B	SEE DCA 00647		08/11	
A	INITIAL ISSUE		06/11	
ISS				

DWG No. TCP-4070-09 WS Sht. 2 of 2 DATE 17.06.2011



Item	Drwg No.	Strk. No.	Core Colours
1	2.5mm ² 1 CORE		BLUE
2	0.75mm ² 1 CORE		BROWN
3	2.5mm ² 1 CORE		BROWN
4	0.75mm ² 1 CORE		BLUE
5	2.5mm ² 1 CORE		BROWN
6	2.5mm ² 1 CORE		BLUE
7	2.5mm ² 1 CORE		BROWN
8	2.5mm ² 1 CORE		BLUE
9	1.5mm ² 1 CORE		BROWN
10	1.5mm ² 1 CORE		BLUE
11	1.5mm ² 1 CORE		BROWN
12	1.5mm ² 1 CORE		BLUE
13	2.5mm ² 1 CORE		YEL/GRN
14	1.0mm ² 1 CORE	70-0180	RED
15	1.0mm ² 1 CORE	70-0180	RED
16	1.0mm ² 1 CORE	70-0179	BLACK
17	2.0mm ² 1 CORE	70-0280	RED
18	2.0mm ² 1 CORE	70-0280	RED
19	2.0mm ² 1 CORE	70-0280	RED
20	2.0mm ² 1 CORE	70-0280	RED
21	1.5mm ² 1 CORE		BROWN
22	1.5mm ² 1 CORE		BLUE
23	2.0mm ² 1 CORE	70-0180	RED
24	2.0mm ² 1 CORE	70-0291	BLACK
25			
26	2.5mm ² 1 CORE		BLUE
27	2.5mm ² 1 CORE		YEL/GRN
28	2.5mm ² 3 CORE		GE/YE-BN-BU
29	2.5mm ² 3 CORE		GE/YE-BN-BU

UNCONTROLLED DOCUMENT
CHECK FOR AMENDMENTS BEFORE USE

USED IN CONJUNCTION WITH TCP-4070-10 SD

TITLE: CABLE IDENTIFICATION AND TERMINATION ECOLITE-T & P

TAYLOR CONSTRUCTION PLANT LTD.
QUAYSIDE PARK, BATES ROAD,
MALDON, ESSEX, CM6 5FA
TEL: 441621 650777 FAX: 441621 943330
WWW.TCP.EU.COM

ISS	DESCRIPTION	CHKD	DATE	ISS	DESCRIPTION	CHKD	DATE
B	SEE DCA 00647		08/11				
A	INITIAL ISSUE		08/11				

DRN LSV
CHKD
APPD
DATE
16.06.2011

DWG No. TCP-4070-10 WS

Sht. 1 of 2

Page 138

Page 138

Page 138

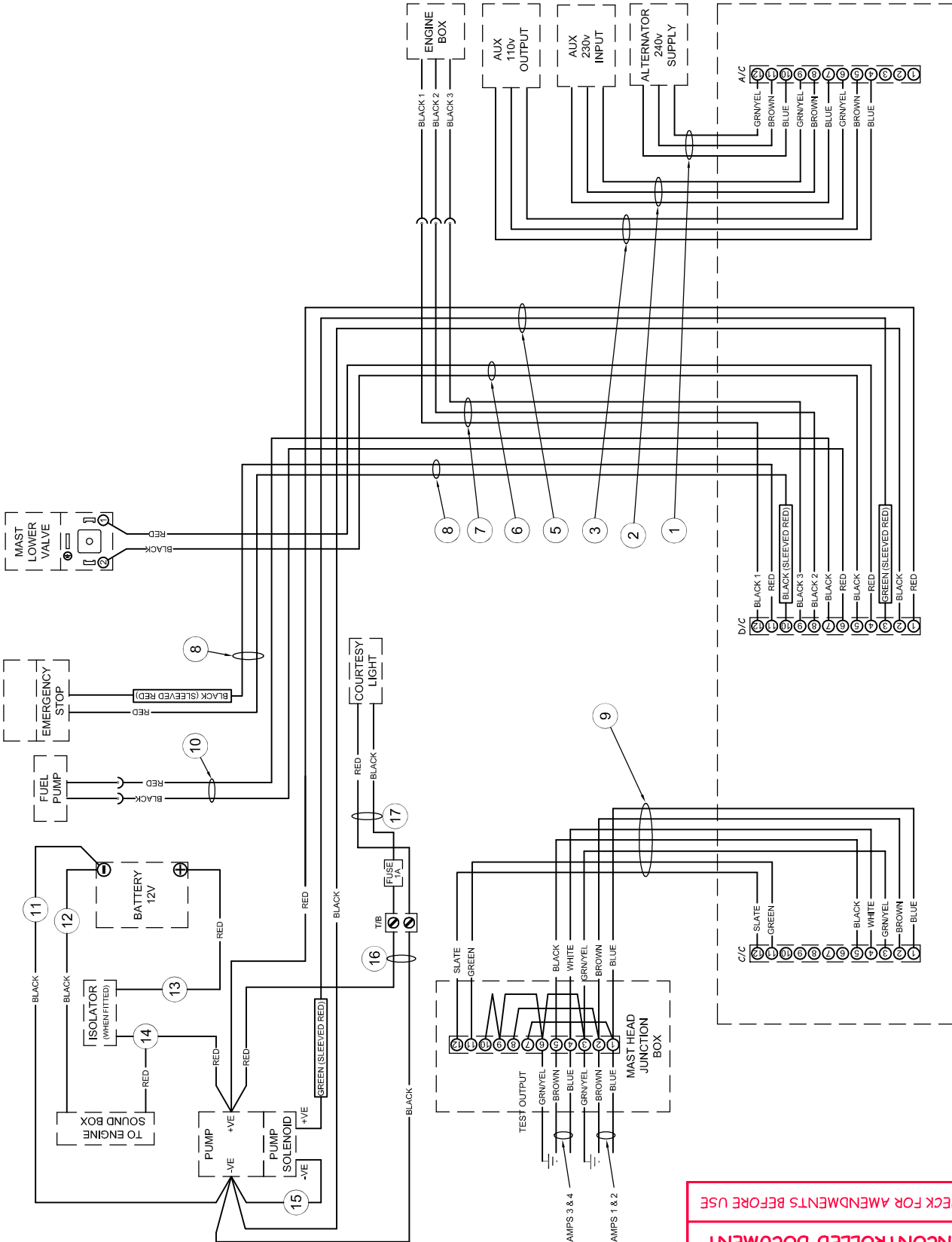
Page 138

THIS DRAWING IS THE PROPERTY OF TAYLOR CONSTRUCTION PLANT LTD. AND MUST NOT BE COPIED, REPRODUCED OR DISCLOSED EXCEPT AS AUTHORISED IN WRITING BY TAYLOR CONSTRUCTION PLANT LTD. ©

2009

TAYLOR CONSTRUCTION PLANT LTD. RESERVE THE RIGHT TO CHANGE PRODUCTS & SPECIFICATIONS WITHOUT PRIOR NOTICE.

DWG No. TCP-4070-10 WS



UNCONTROLLED DOCUMENT
CHECK FOR AMENDMENTS BEFORE USE

Item	Drwg No.	Stk. No.	Core Colours
1	2.5mm ² 3 CORE	71-0062	GE/YE-BN-BU
2	2.5mm ² 3 CORE	71-0062	GE/YE-BN-BU
3	2.5mm ² 3 CORE	YELLOW	GE/YE-BN-BU
4			
5	2.5mm ² 3 CORE	71-0372	BK Numbered
6	1.5mm ² 2 CORE	71-0347	RD-BK
7**	2.5mm ² 3 CORE	71-0372	BK Numbered
8	2.5mm ² 2 CORE	71-0348	RD-BK
9	CURLY CORE	71-0273	MULTI COLOUR
10	1.5mm ² 2 CORE	71-0347	RD-BK
11	16mm ² 1 CORE	73-3073	BK
12	16mm ² 1 CORE	73-3071	BK
13	16mm ² 1 CORE	73-3070	RD
14	16mm ² 1 CORE	73-3072	RD
16	1.5mm ² 2 CORE	71-0347	RD-BK
17	1.5mm ² 2 CORE	71-0347	RD-BK
18	2.0mm ² 8 CORE		MULTI COLOUR

NOTE:
CABLE NO. 7 IS A SPECIAL SIGNAL CABLE.
i.e. THE 3 INNER CORES ARE BLACK & NUMBERED

USED IN CONJUNCTION WITH TCP-4070-10 SD

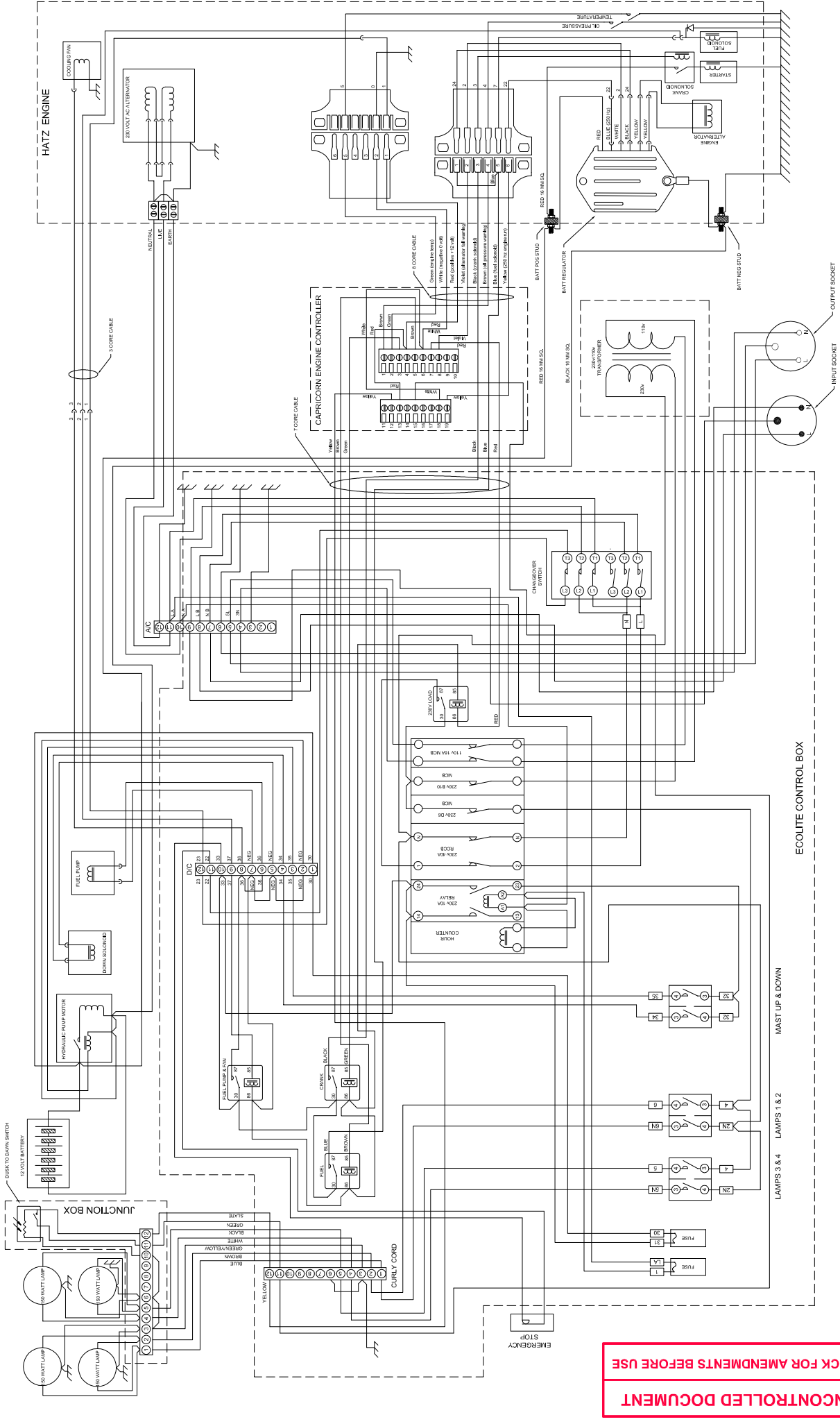
ISS		DESCRIPTION		CHK'D		DATE		ISS		DESCRIPTION		CHK'D		DATE	
B	SEE DCA 00647						08/11								
A	INITIAL ISSUE						06/11								

TAYLOR CONSTRUCTION PLANT LTD.		TITLE: CABLE IDENTIFICATION AND TERMINATION, ECOLITE-T & P	
QUAYSIDE PARK, BATES ROAD, MILDON, ESSEX, CM9 5FA TEL+441621 850777 FAX+441621 843330 WWW.TCP.EU.COM		DWG No.	TCP-4070-10 WS
		Shr. 2 of 2	
		DRN LSV	
		CHK'D	
		APP'D	
		DATE	17.06.2011

TAYLOR CONSTRUCTION PLANT LTD. RESERVE THE RIGHT TO CHANGE PRODUCTS & SPECIFICATIONS WITHOUT PRIOR NOTICE.

THIS DRAWING IS THE PROPERTY OF TAYLOR CONSTRUCTION PLANT LTD. AND MUST NOT BE COPIED REPRODUCED OR DISCLOSED EXCEPT AS AUTHORISED IN WRITING BY TAYLOR CONSTRUCTION PLANT LTD. © 2009

DWG No. TCP-4070-11 SD



UNCONTROLLED DOCUMENT
CHECK FOR AMENDMENTS BEFORE USE

ISS	DESCRIPTION	CHKD	DATE	ISS	DATE	DESCRIPTION	CHKD	DATE
A	INITIAL ISSUE		08/11					

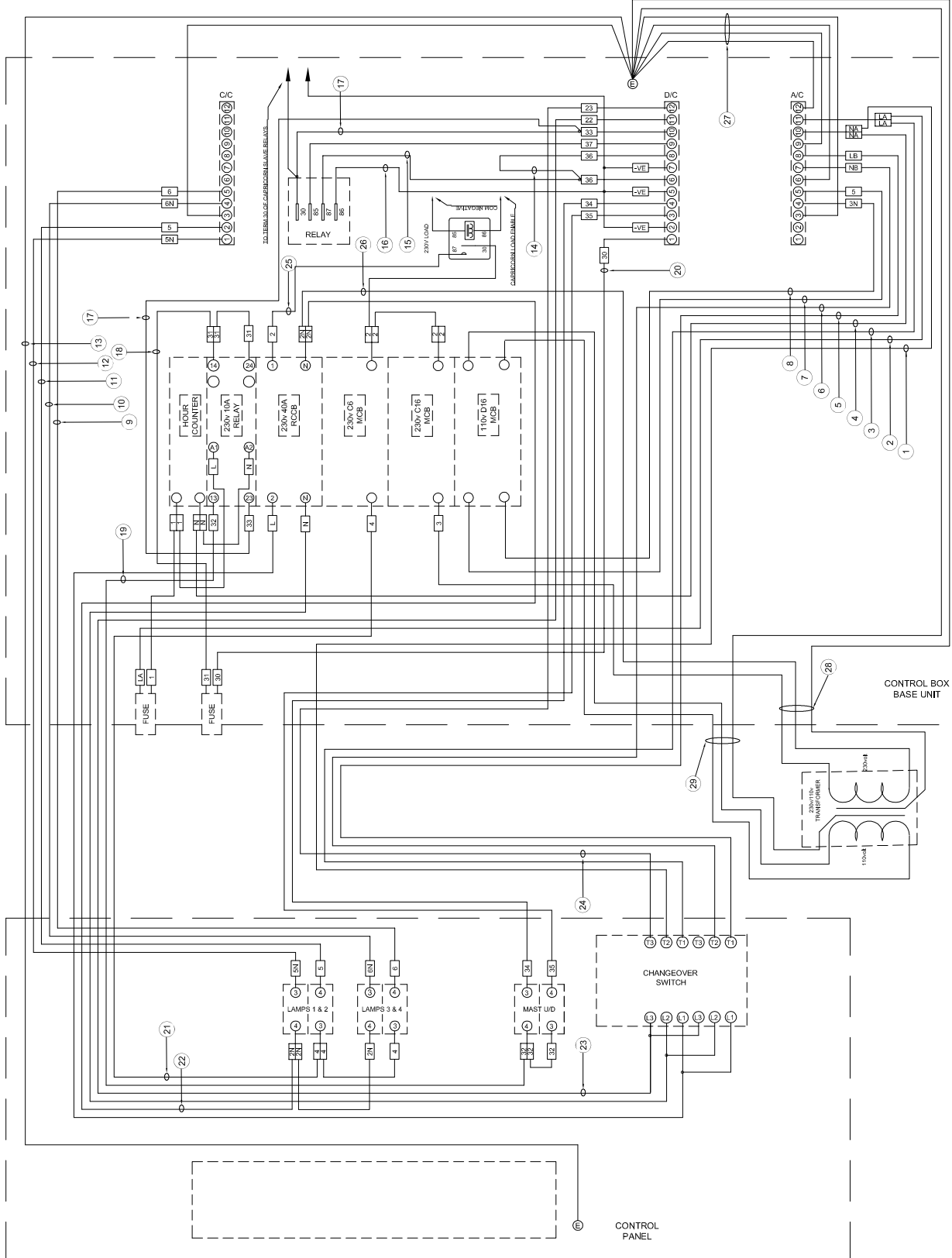
DRN LSV	DATE
CHKD	16.06.2011
APPD	

TITLE: SCHEMATIC, CAPRICORN CONTROL 230 V IN / 110 V OUT. ECOLITE-T & P	Sht. 1 of 1
DWG No. TCP-4070-11 SD	

THIS DRAWING IS THE PROPERTY OF TAYLOR CONSTRUCTION PLANT LTD. AND MUST NOT BE COPIED, REPRODUCED OR DISCLOSED EXCEPT AS AUTHORISED IN WRITING BY TAYLOR CONSTRUCTION PLANT LTD. © 2009

TAYLOR CONSTRUCTION PLANT LTD. RESERVE THE RIGHT TO CHANGE PRODUCTS & SPECIFICATIONS WITHOUT PRIOR NOTICE.

DWG No. TCP-4070-11 WS



Item	Drwg No.	Strk. No.	Core Colours
1	2.5mm ² 1 CORE		BLUE
2	0.75mm ² 1 CORE		BROWN
3	2.5mm ² 1 CORE		BROWN
4	0.75mm ² 1 CORE		BLUE
5	2.5mm ² 1 CORE		BROWN
6	2.5mm ² 1 CORE		BLUE
7	2.5mm ² 1 CORE		BROWN
8	2.5mm ² 1 CORE		BLUE
9	1.5mm ² 1 CORE		BROWN
10	1.5mm ² 1 CORE		BLUE
11	1.5mm ² 1 CORE		BROWN
12	1.5mm ² 1 CORE		BLUE
13	2.5mm ² 1 CORE		YEL/GRN
14	1.0mm ² 1 CORE	70-0180	RED
15	1.0mm ² 1 CORE	70-0180	RED
16	1.0mm ² 1 CORE	70-0179	BLACK
17	2.0mm ² 1 CORE	70-0280	RED
18	2.0mm ² 1 CORE	70-0280	RED
19	2.0mm ² 1 CORE	70-0280	RED
20	2.0mm ² 1 CORE	70-0280	RED
21	1.5mm ² 1 CORE		BROWN
22	1.5mm ² 1 CORE		BLUE
23	2.0mm ² 1 CORE	70-0180	RED
24	2.0mm ² 1 CORE	70-0291	BLACK
25	2.5mm ² 1 CORE		BROWN
26	2.5mm ² 1 CORE		BLUE
27	2.5mm ² 1 CORE		YEL/GRN
28	2.5mm ² 3 CORE		GE/YE-BN-BU
29	2.5mm ² 3 CORE		GE/YE-BN-BU

UNCONTROLLED DOCUMENT
CHECK FOR AMENDMENTS BEFORE USE

USED IN CONJUNCTION WITH TCP-4070-11 SD

TITLE: CABLE IDENTIFICATION AND TERMINATION ECOLITE-T & P

TAYLOR CONSTRUCTION PLANT LTD.
QUAYSIDE PARK, BATES ROAD,
MALDON, ESSEX, CM9 5FA
TEL: 441621 650777 FAX: 441621 943330
WWW.TCP.EU.COM

DRN LSV
CHKD
APPD
DATE
15.06.2011

DWG No. TCP-4070-11 WS

Sht. 1 of 2

ISS DESCRIPTION CHKD DATE ISS DESCRIPTION CHKD DATE

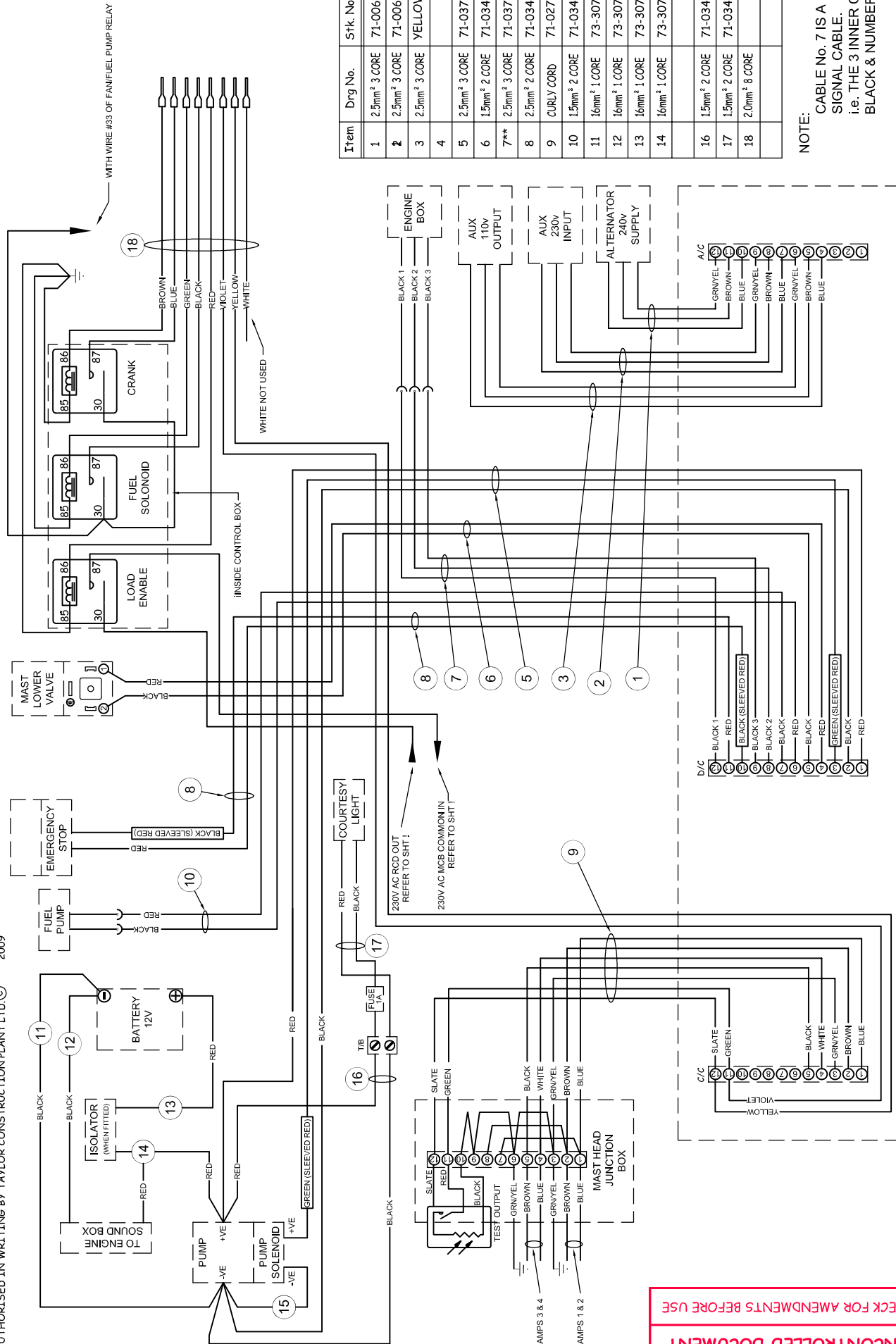
B SEE DCA 00647 08/11

A INITIAL ISSUE 08/11

THIS DRAWING IS THE PROPERTY OF TAYLOR CONSTRUCTION PLANT LTD. AND MUST NOT BE COPIED, REPRODUCED OR DISCLOSED EXCEPT AS AUTHORISED IN WRITING BY TAYLOR CONSTRUCTION PLANT LTD. ©

2009

TAYLOR CONSTRUCTION PLANT LTD. RESERVE THE RIGHT TO CHANGE PRODUCTS & SPECIFICATIONS WITHOUT PRIOR NOTICE.



Item	Drq No.	Stk. No.	Core Colours
1	2.5mm ² 3 CORE	71-0062	GE/YE-BN-BU
2	2.5mm ² 3 CORE	71-0062	GE/YE-BN-BU
3	2.5mm ² 3 CORE	YELLOW	GE/YE-BN-BU
4			
5	2.5mm ² 3 CORE	71-0372	BK Numbered
6	1.5mm ² 2 CORE	71-0347	RD-BK
7**	2.5mm ² 3 CORE	71-0372	BK Numbered
8	2.5mm ² 2 CORE	71-0348	RD-BK
9	CURLY CORD	71-0273	MULTI COLOUR
10	1.5mm ² 2 CORE	71-0347	RD-BK
11	16mm ² 1 CORE	73-3073	BK
12	16mm ² 1 CORE	73-3071	BK
13	16mm ² 1 CORE	73-3070	RD
14	16mm ² 1 CORE	73-3072	RD
16	1.5mm ² 2 CORE	71-0347	RD-BK
17	1.5mm ² 2 CORE	71-0347	RD-BK
18	2.0mm ² 8 CORE		MULTI COLOUR

NOTE:
CABLE NO. 7 IS A SPECIAL SIGNAL CABLE.
i.e. THE 3 INNER CORES ARE BLACK & NUMBERED

UNCONTROLLED DOCUMENT
CHECK FOR AMENDMENTS BEFORE USE

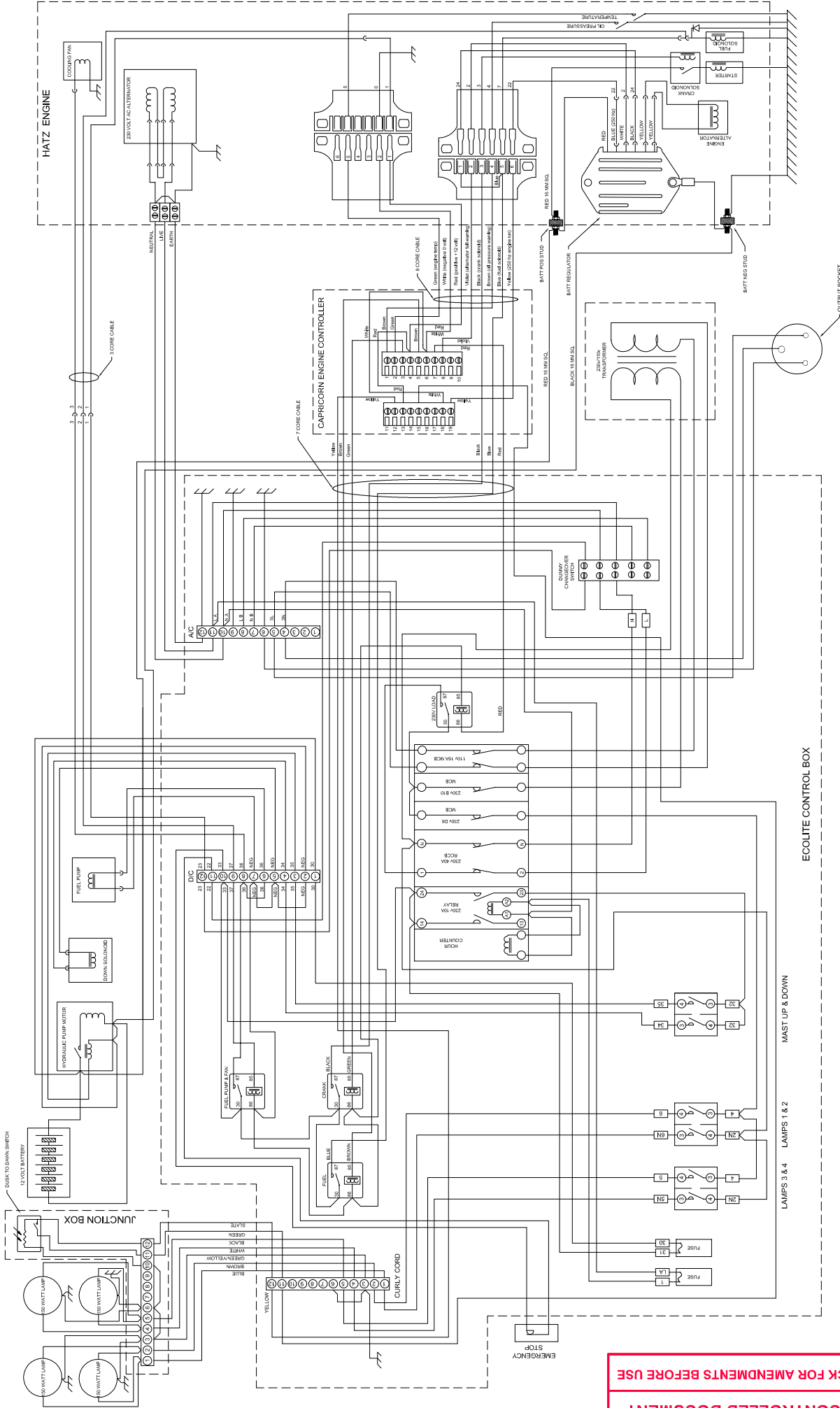
USED IN CONJUNCTION WITH TCP-4070-11 SD

TAYLOR CONSTRUCTION PLANT LTD. QUAYSIDE PARK, BATES ROAD, MALDON, ESSEX, CM9 5FA TEL+441621 850777 FAX+441621 843330 WWW.TCP.EU.COM		TITLE: CABLE IDENTIFICATION AND TERMINATION, ECOLITE-T & P	DRN LSV CHK'D APP'D DATE 16.06.2011
DWG No. TCP-4070-11 WS	Sht. 2 of 2		
ISS	DESCRIPTION	CHK'D	DATE
A	INITIAL ISSUE	06/11	ISS
B	SEE DCA 00647	08/11	ISS

TAYLOR CONSTRUCTION PLANT LTD. RESERVE THE RIGHT TO CHANGE PRODUCTS & SPECIFICATIONS WITHOUT PRIOR NOTICE.

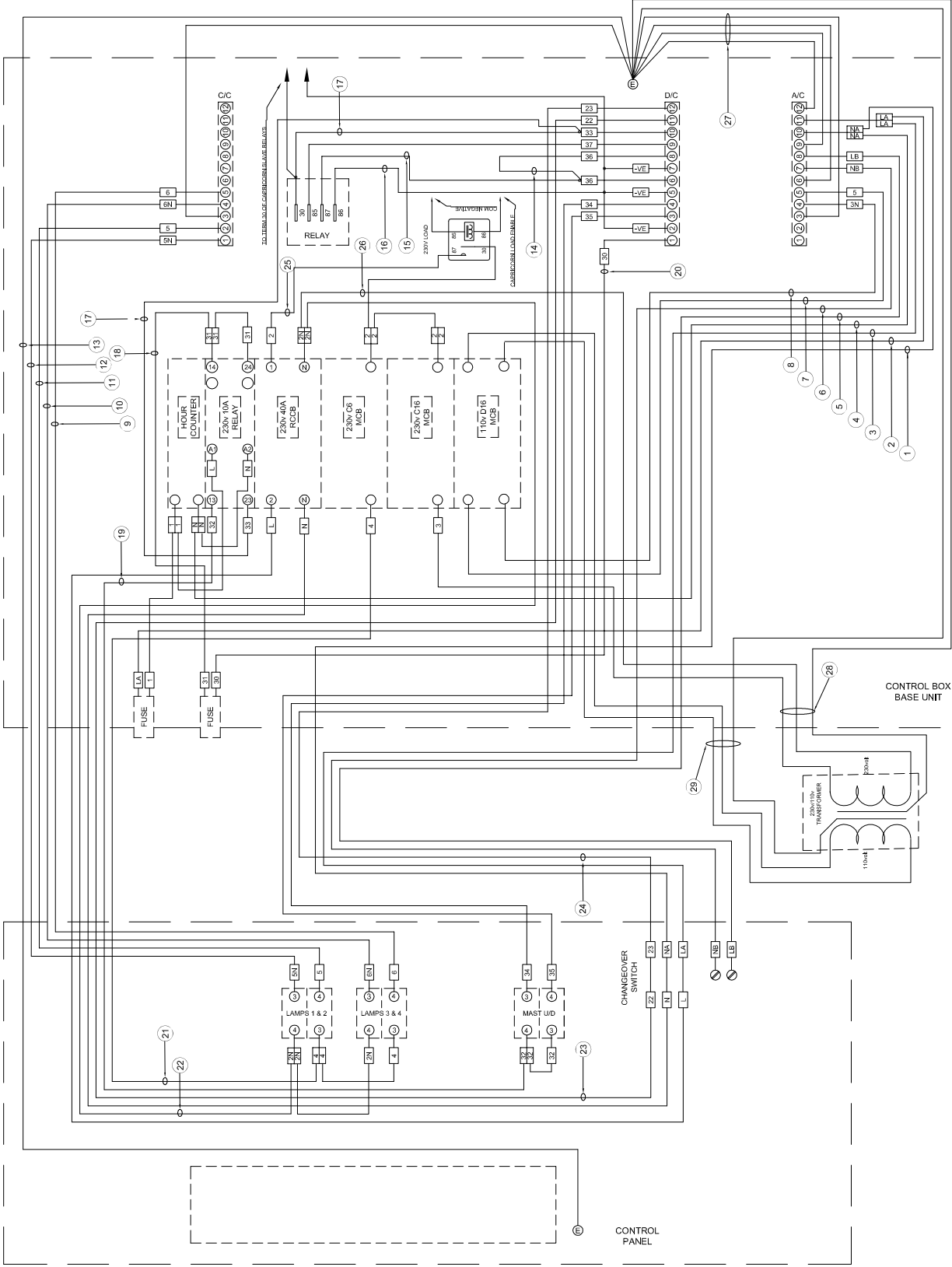
THIS DRAWING IS THE PROPERTY OF TAYLOR CONSTRUCTION PLANT LTD. AND MUST NOT BE COPIED REPRODUCED OR DISCLOSED EXCEPT AS AUTHORISED IN WRITING BY TAYLOR CONSTRUCTION PLANT LTD. © 2009

DWG No. TCP-4070-12 SD



UNCONTROLLED DOCUMENT
CHECK FOR AMENDMENTS BEFORE USE

DRN	LSV	TITLE: SCHEMATIC, CAPRICORN CONTROL 110 VOLT OUT. ECOLITE-T & P	DWG No. TCP-4070-12 SD	Sht. 1 of 1	DATE 15.06.2011		
CHKD	CHKD						
APPD	APPD						
ISS	INITIAL ISSUE	DESCRIPTION	DATE	ISS	CHKD	DATE	DESCRIPTION
			08/11				



Item	Drwg No.	Strk. No.	Core Colours
1	2.5mm ² 1 CORE		BLUE
2	0.75mm ² 1 CORE		BROWN
3	2.5mm ² 1 CORE		BROWN
4	0.75mm ² 1 CORE		BLUE
5	2.5mm ² 1 CORE		BROWN
6	2.5mm ² 1 CORE		BLUE
7	2.5mm ² 1 CORE		BROWN
8	2.5mm ² 1 CORE		BLUE
9	1.5mm ² 1 CORE		BROWN
10	1.5mm ² 1 CORE		BLUE
11	1.5mm ² 1 CORE		BROWN
12	1.5mm ² 1 CORE		BLUE
13	2.5mm ² 1 CORE		YEL/GRN
14	1.0mm ² 1 CORE	70-0180	RED
15	1.0mm ² 1 CORE	70-0180	RED
16	1.0mm ² 1 CORE	70-0179	BLACK
17	2.0mm ² 1 CORE	70-0280	RED
18	2.0mm ² 1 CORE	70-0280	RED
19	2.0mm ² 1 CORE	70-0280	RED
20	2.0mm ² 1 CORE	70-0280	RED
21	1.5mm ² 1 CORE		BROWN
22	1.5mm ² 1 CORE		BLUE
23	2.0mm ² 1 CORE	70-0180	RED
24	2.0mm ² 1 CORE	70-0291	BLACK
25	2.5mm ² 1 CORE		BROWN
26	2.5mm ² 1 CORE		BLUE
27	2.5mm ² 1 CORE		YEL/GRN
28	2.5mm ² 3 CORE		GE/YE-BN-BU
29	2.5mm ² 3 CORE		GE/YE-BN-BU

UNCONTROLLED DOCUMENT
CHECK FOR AMENDMENTS BEFORE USE

USED IN CONJUNCTION WITH TCP-4070-12 SD

TITLE: CABLE IDENTIFICATION AND TERMINATION ECOLITE-T & P

TAYLOR CONSTRUCTION PLANT LTD.
QUAYSIDE PARK, BATES ROAD,
MALDON, ESSEX, CM9 5FA
TEL: 441621 650777 FAX: 441621 943330
WWW.TCP.EU.COM

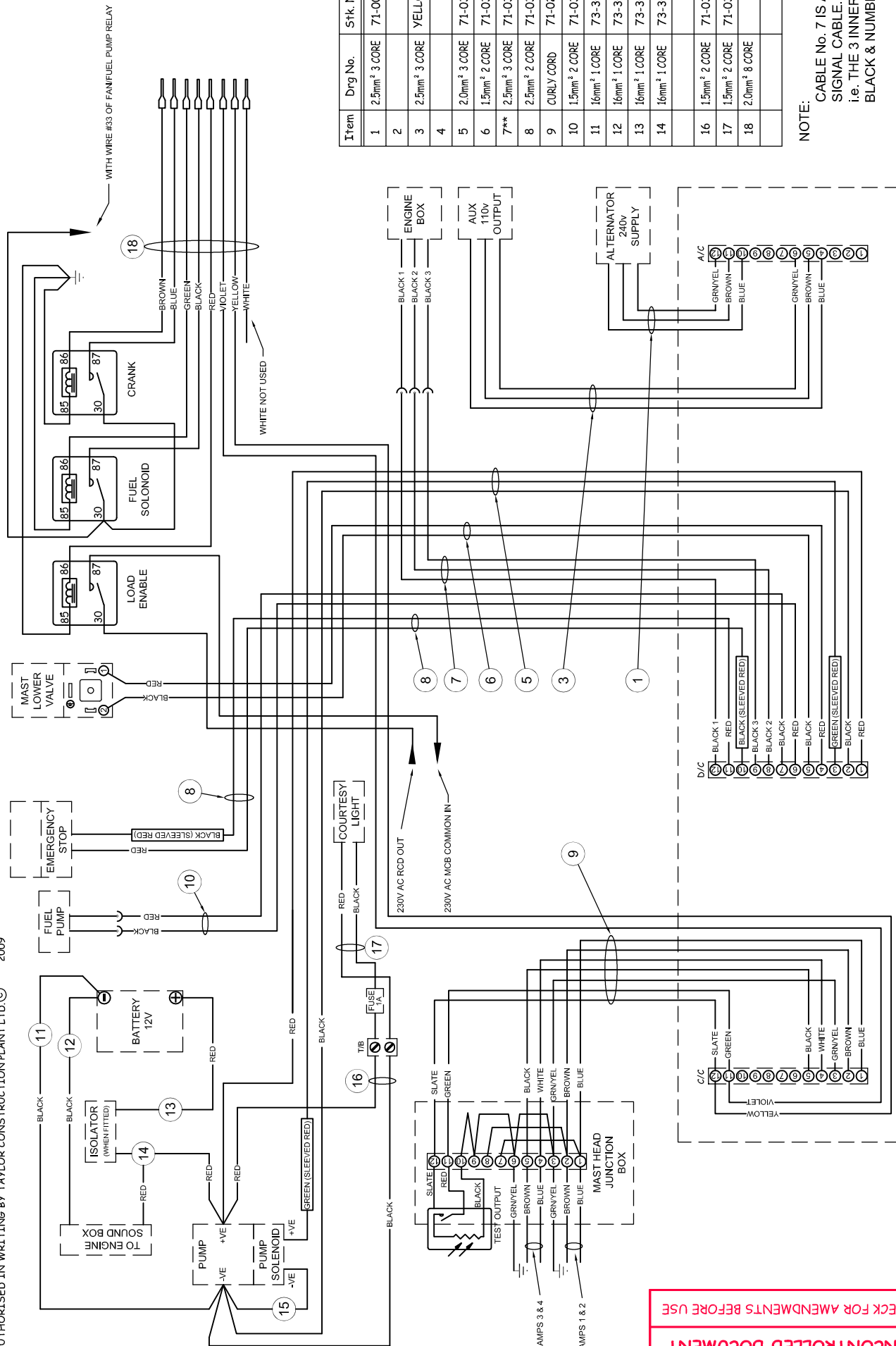
ISS	DESCRIPTION	CHKD	DATE	ISS	DESCRIPTION	CHKD	DATE
B	SEE DCA 00647		08/11				
A	INITIAL ISSUE		08/11				

DWG No.	TCP-4070-12 WS	Sht.	1 of 2
DRN	LSV	CHKD	APPD
DATE	15.06.2011		

THIS DRAWING IS THE PROPERTY OF TAYLOR CONSTRUCTION PLANT LTD. AND MUST NOT BE COPIED, REPRODUCED OR DISCLOSED EXCEPT AS AUTHORISED IN WRITING BY TAYLOR CONSTRUCTION PLANT LTD. ©

2009

TAYLOR CONSTRUCTION PLANT LTD. RESERVE THE RIGHT TO CHANGE PRODUCTS & SPECIFICATIONS WITHOUT PRIOR NOTICE.



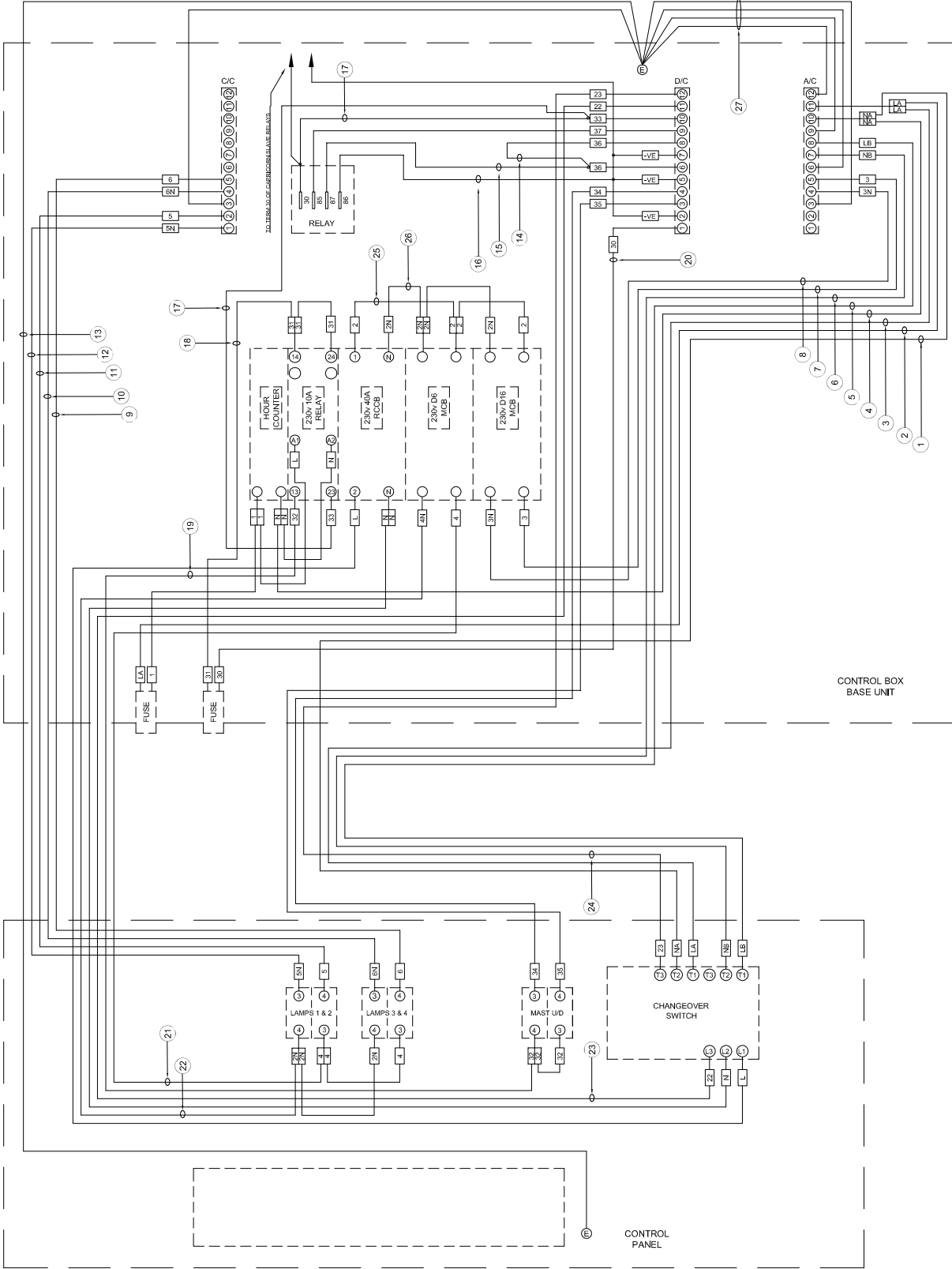
UNCONTROLLED DOCUMENT
CHECK FOR AMENDMENTS BEFORE USE

Item	Drwg No.	Stk. No.	Core Colours
1	2.5mm ² 3 CORE	71-0062	GE/YE-BN-BU
2	2.5mm ² 3 CORE	YELLOW	GE/YE-BN-BU
4	2.0mm ² 3 CORE	71-0346	RD-BK-GN
5	1.5mm ² 2 CORE	71-0347	RD-BK
6	2.5mm ² 3 CORE	71-0372	BK Numbered
7**	2.5mm ² 2 CORE	71-0348	RD-BK
8	CURLY CORD	71-0273	MULTI COLOUR
9	1.5mm ² 2 CORE	71-0347	RD-BK
10	16mm ² 1 CORE	73-3073	BK
11	16mm ² 1 CORE	73-3071	BK
12	16mm ² 1 CORE	73-3070	RD
13	16mm ² 1 CORE	73-3072	RD
14	1.5mm ² 2 CORE	71-0347	RD-BK
16	1.5mm ² 2 CORE	71-0347	RD-BK
17	1.5mm ² 2 CORE	71-0347	RD-BK
18	2.0mm ² 8 CORE		MULTI COLOUR

NOTE:
CABLE NO. 7 IS A SPECIAL SIGNAL CABLE.
i.e. THE 3 INNER CORES ARE BLACK & NUMBERED

USED IN CONJUNCTION WITH TCP-4070-12 SD

TAYLOR CONSTRUCTION PLANT LTD.		TAYLOR CONSTRUCTION PLANT LTD.	
QUAYSIDE PARK, BATES ROAD, MALDON, ESSEX, CM9 5FA		CABLE IDENTIFICATION AND TERMINATION, ECOLITE-T & P	
TEL:+441621 850777 FAX:+441621 843330		DWG No. TCP-4070-12 WS	
WWW.TCP.EU.COM		Sht. 2 of 2	
ISS	CHK'D	DATE	ISS
B	SEE DCA 00647	08/11	DRN LSV
A	INITIAL ISSUE	06/11	CHK'D
			APP'D
			DATE
			16.06.2011



Item	Drg No.	Strk. No.	Core Colours
1	2.5mm² 1 CORE	71-00	BLUE
2	0.75mm² 1 CORE	71-00	BROWN
3	2.5mm² 1 CORE	71-00	BROWN
4	0.75mm² 1 CORE	71-00	BLUE
5	2.5mm² 1 CORE	71-00	BROWN
6	2.5mm² 1 CORE	71-00	BLUE
7	2.5mm² 1 CORE	71-00	BROWN
8	2.5mm² 1 CORE	71-00	BLUE
9	1.5mm² 1 CORE	71-00	BROWN
10	1.5mm² 1 CORE	71-00	BLUE
11	1.5mm² 1 CORE	71-00	BROWN
12	1.5mm² 1 CORE	71-00	BLUE
13	2.5mm² 1 CORE	71-00	YEL/GRN
14	1.0mm² 1 CORE	70-0180	RED
15	1.0mm² 1 CORE	70-0180	RED
16	1.0mm² 1 CORE	70-0179	BLACK
17	2.0mm² 1 CORE	70-0280	RED
18	2.0mm² 1 CORE	70-0280	RED
19	2.0mm² 1 CORE	70-0280	RED
20	2.0mm² 1 CORE	70-0280	RED
21	1.5mm² 1 CORE	71-00	BROWN
22	1.5mm² 1 CORE	71-00	BLUE
23	2.0mm² 1 CORE	70-0180	RED
24	2.0mm² 1 CORE	70-0291	BLACK
25	2.5mm² 1 CORE	70-00	BROWN
26	2.5mm² 1 CORE	70-00	BLUE
27	2.5mm² 1 CORE	70-00	YEL/GRN

UNCONTROLLED DOCUMENT
CHECK FOR AMENDMENTS BEFORE USE

USED IN CONJUNCTION WITH TCP-4070-13 SD

ISS	DESCRIPTION	CHKD	DATE	ISS	DESCRIPTION	CHKD	DATE
B	SEE DCA 00647		08/11				
A	INITIAL ISSUE		05/11				

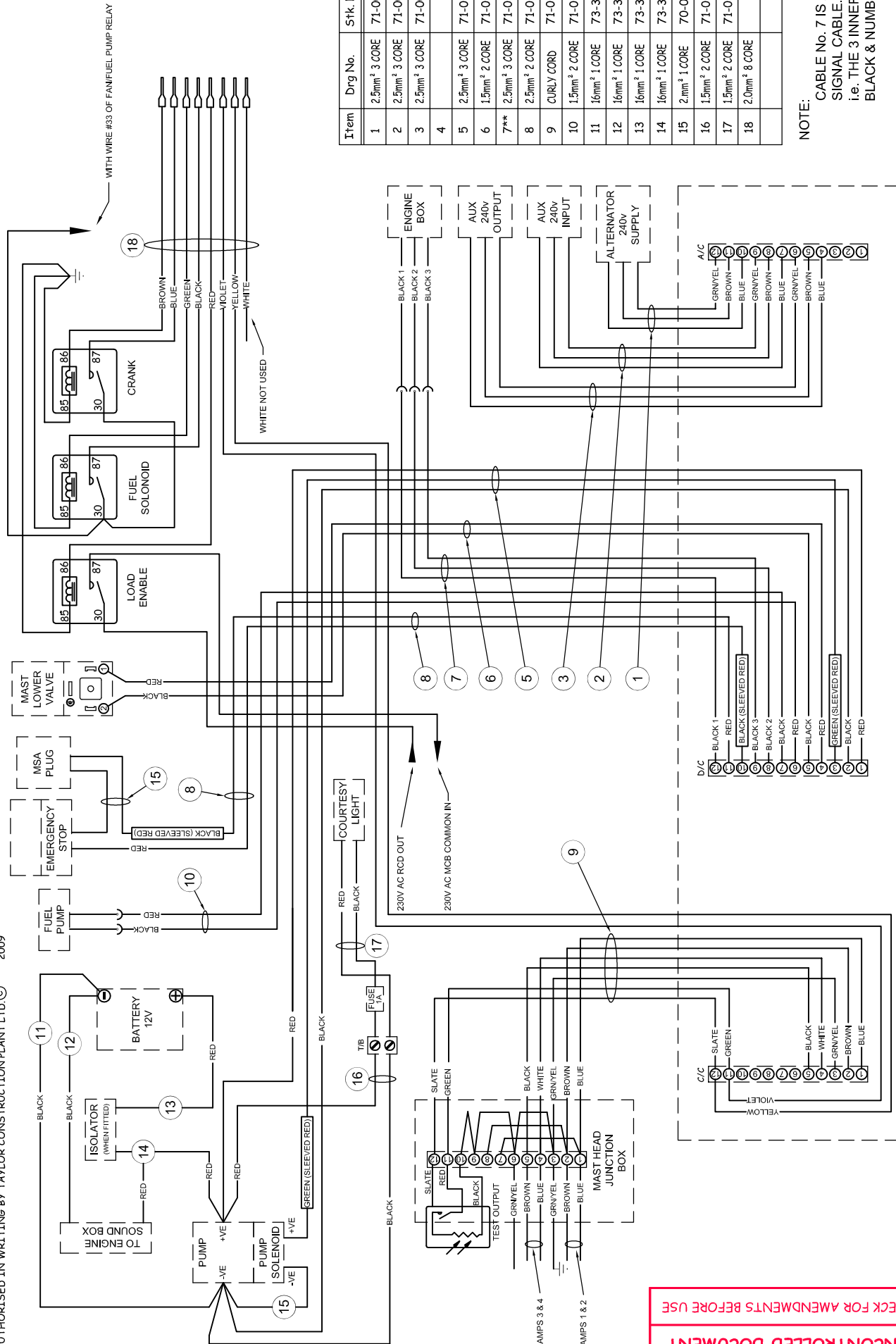
TAYLOR CONSTRUCTION PLANT LTD.		TITLE: CABLE IDENTIFICATION AND TERMINATION ECOLITE-T & P	
QUAYSIDE PARK, BATES ROAD, MALDON, ESSEX, CM9 5FA		DRN LSV	
TEL: +441621 650777 FAX: +441621 943330		CHKD	
WWW.TCP.EU.COM		APPD	
		DATE	
		09.05.2011	

DWG No.	TCP-4070-13 WS	Sht. 1 of 2

THIS DRAWING IS THE PROPERTY OF TAYLOR CONSTRUCTION PLANT LTD. AND MUST NOT BE COPIED, REPRODUCED OR DISCLOSED EXCEPT AS AUTHORISED IN WRITING BY TAYLOR CONSTRUCTION PLANT LTD. ©

2009

TAYLOR CONSTRUCTION PLANT LTD. RESERVE THE RIGHT TO CHANGE PRODUCTS & SPECIFICATIONS WITHOUT PRIOR NOTICE.



NOTE:
CABLE NO. 7 IS A SPECIAL SIGNAL CABLE.
i.e. THE 3 INNER CORES ARE BLACK & NUMBERED

Item	Drwg No.	Stk. No.	Core Colours
1	2.5mm ² 3 CORE	71-0062	GE/YE-BN-BU
2	2.5mm ² 3 CORE	71-0062	GE/YE-BN-BU
3	2.5mm ² 3 CORE	71-0062	GE/YE-BN-BU
4			
5	2.5mm ² 3 CORE	71-0372	BK Numbered
6	1.5mm ² 2 CORE	71-0347	RD-BK
7**	2.5mm ² 3 CORE	71-0372	BK Numbered
8	2.5mm ² 2 CORE	71-0348	RD-BK
9	CURLY CORD	71-0273	MULTI COLOUR
10	1.5mm ² 2 CORE	71-0347	RD-BK
11	16mm ² 1 CORE	73-3073	BK
12	16mm ² 1 CORE	73-3071	BK
13	16mm ² 1 CORE	73-3070	RD
14	16mm ² 1 CORE	73-3072	RD
15	2.0mm ² 1 CORE	70-0291	BK
16	1.5mm ² 2 CORE	71-0347	RD-BK
17	1.5mm ² 2 CORE	71-0347	RD-BK
18	2.0mm ² 8 CORE		MULTI COLOUR

UNCONTROLLED DOCUMENT
CHECK FOR AMENDMENTS BEFORE USE

USED IN CONJUNCTION WITH TCP-4070-13 SD

ISS		CHK'D		DATE		ISS		CHK'D		DATE		DESCRIPTION	
B	SEE DCA 00647			08/11									
A	INITIAL ISSUE			05/11									

TAYLOR CONSTRUCTION PLANT LTD.		TAYLOR CONSTRUCTION PLANT LTD.	
QUAYSIDE PARK, BATES ROAD, MALDON, ESSEX, CM9 5FA		QUAYSIDE PARK, BATES ROAD, MALDON, ESSEX, CM9 5FA	
TEL+441621 850777 FAX+441621 843330		TEL+441621 850777 FAX+441621 843330	
WWW.TCP.EU.COM		WWW.TCP.EU.COM	

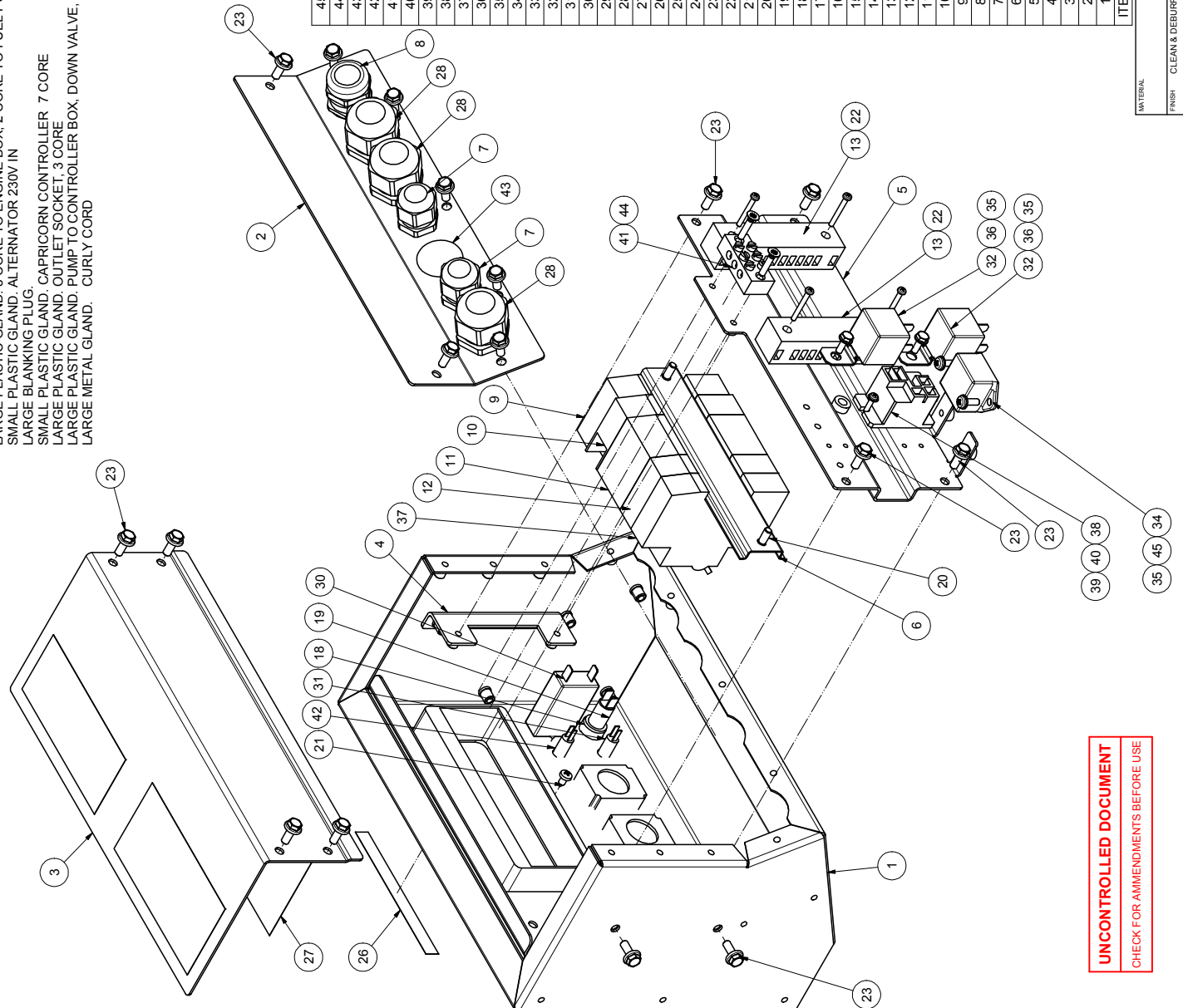
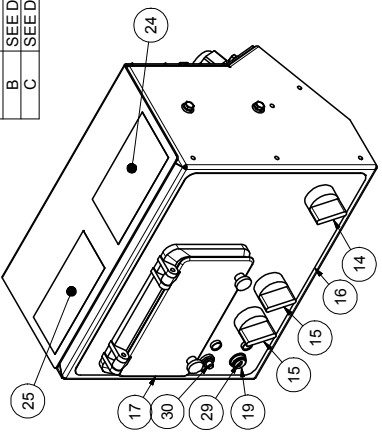
TITLE: CABLE IDENTIFICATION AND TERMINATION, ECOLITE-T & P		DRN LSV	
DWG No. TCP-4070-13 WS		CHK'D	
Sht. 2 of 2		APP'D	
		DATE	
		04.05.2011	

ECOLITE-P v2

CONTROL BOX

ISS	DESCRIPTION	DATE
A	INITIAL ISSUE	01/07/2011
B	SEE DCA 00645	03/08/2011
C	SEE DCA 00665	22/11/2011

CABLE LAYOUT FOR REAR PANEL.
 LARGE PLASTIC GLAND. 3 CORE TO ENGINE BOX, 2 CORE TO FUEL PUMP
 SMALL PLASTIC GLAND. ALTERNATOR 230V/IN
 LARGE BLANKING PLUG.
 SMALL PLASTIC GLAND. CAPRICORN CONTROLLER 7 CORE
 LARGE PLASTIC GLAND. OUTLET SOCKET, 3 CORE
 LARGE PLASTIC GLAND. PUMP TO CONTROLLER BOX, DOWN VALVE, E STOP
 LARGE METAL GLAND. CURLY CORD

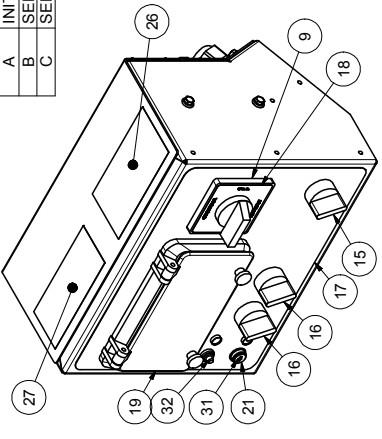


ITEM	DRG. No.	SCALE	STOCK No.	KIT	DESCRIPTION	QTY
45	ISO 7045 - M4 x 12 - 4.8 - Z	01-0060			PAN HEAD SCREW - GRADE A	2
44	ISO 7046-1 - M4 x 20 - 4.8 - Z	01-0239			COUNTERSUNK CROSS HEAD SCREW	2
43	TCP-3683	03-0010			25mm BLANKING GROMMET	1
42	TCP-3663	70-3663			GREEN LED, W/O RESISTOR	1
41	TCP-3667	71-3667			3 WAY DOUBLE SCREW TERMINAL BLOCK	1
40	BS 4320 - M3 (Form A)	02-0017			BRIGHT METAL WASHER - METRIC SERIES	2
39	ISO 7045 - M3 x 12 - 4.8 - Z	01-0031			PAN HEAD SCREW - GRADE A	2
38	TCP-3668	71-3668			POWER RELAY T9A	1
37	TCP-3678	71-0302			MCB 10A TYPE D - SINGLE POLE	1
36	ISO 4017 - M4 x 12	01-0049			HEXAGON HEAD SCREW	2
35	BS 4320 - M4 (Form A)	02-0028			BRIGHT METAL WASHER - METRIC SERIES	4
34	TCP-3664	70-3664			FAN FAIL CONTROLLER	1
33	TCP-2832	71-0005			RELAY BASE	2
32	TCP-3695	71-0006			SOUNDER RELAY 12V	2
31	TCP-3666	70-3666			RED LED, W/O RESISTOR	1
30	TCP-3662	71-3662			SWITCHABLE THERMAL FUSE, 15AMP	1
29	TCP-3442	71-0291			1 AMP FUSE CARTRIDGE	1
28	TCP-3445	71-3445			M25 INDEX CABLE GLAND WITH LOCKNUT	3
27	TCP-3669	80-3669			DECAL, TERMINAL INFORMATION MK2	1
26	TCP-2321-02	80-0348			DECAL, RDC MCB RELAY	1
25	TCP-1098	80-0048			DECAL, RCD INFORMATION & TEST	1
24	TCP-1093	80-0043			DECAL, DANGER FALLING HAZARD	1
23	DIN 6921 - M5 x 12	01-0205			HEXAGON FLANGED BOLT	19
22	ISO 7045 - M3 x 25 - 4.8 - Z	01-0168			PAN HEAD SCREW - GRADE A	6
21	ISO 7049 - ST 4.2 x 9.5 - C - Z	01-0058			CROSS RECESSED PAN HEAD TAPPING SCREW	4
20	ISO 7045 - M5 x 12 - 4.8 - Z	01-0083			PAN HEAD SCREW - GRADE A	2
19	TCP-2822	71-0234			FUSE HOLDER SLOTTED IP67	1
18	TCP-2868	70-0091			SPACER, FUSE HOLDER	1
17	TCP-3002	71-0287			PROTECTIVE WINDOW COVER 8 WAY - GREY	1
16	TCP-4254	80-4254			DECAL, CONTROL PANEL, FAN FAIL	1
15	TCP-2815	71-0232			SELECTOR SWITCH 2 POSITION	2
14	TCP-2817	71-0233			SELECTOR SWITCH 3 POSN SPG RET CTR	1
13	TCP-2819	71-0237			TERMINAL BLOCK 12 WAY 21A 275V	2
12	TCP-2836	71-0242			MCB 6A TYPE D	1
11	TCP-3681	71-3681			220V RCD 25AMP 30MA TYPE AC	1
10	TCP-2837	71-0243			RELAY 2 POLE NO 230V COIL	1
9	TCP-2824	71-0238			HOUR COUNTER 230V	1
8	TCP-2137	28-019			M25 CABLE GLAND	1
7	TCP-2108	71-0035			M20 CABLE GLAND WITH LOCKNUT	1
6	TCP-4081	71-4081			KLIPPON RAIL	2
5	TCP-4096-01	51-4107			RAIL and TERMINAL STRIP SUPPORT BRACKET	1
4	TCP-4096-2	51-4107			SUPPORT BRACKET	2
3	TCP-4095-01	51-4107			UPPER COVER - CONTROL BOX	1
2	TCP-4095-02	51-4107			LOWER COVER - CONTROL BOX	1
1	TCP-4094	51-4107			CONTROL BOX MK2	1

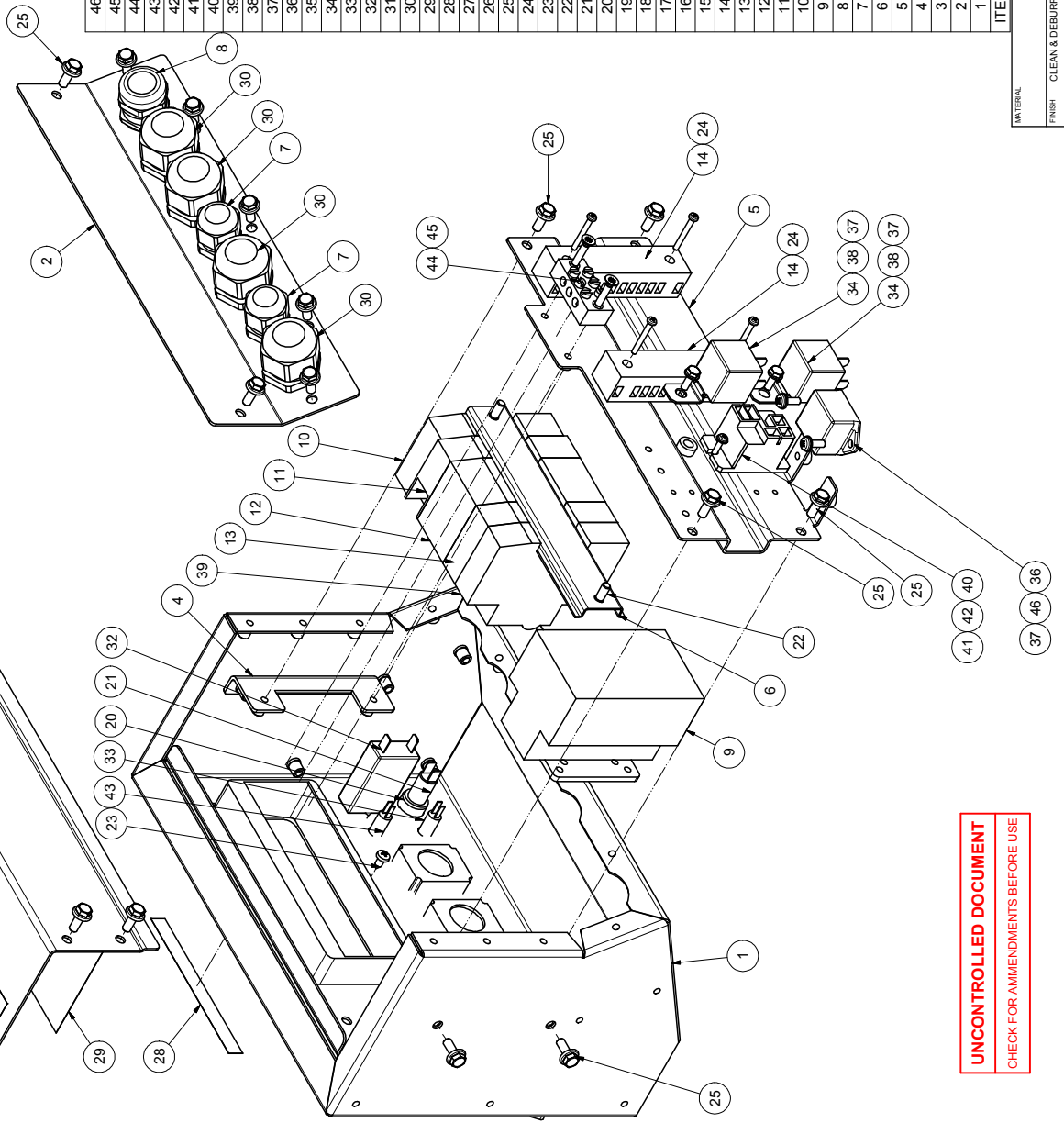
THRU/IN/OUT	THRU/IN/OUT
A2	A2

UNCONTROLLED DOCUMENT
 CHECK FOR AMENDMENTS BEFORE USE

ISS	DESCRIPTION	DATE
A	INITIAL ISSUE	01/07/2011
B	SEE DCA 00645	03/08/2011
C	SEE DCA 00665	22/11/2011



CABLE LAYOUT FOR REAR PANEL.
 LARGE PLASTIC GLAND, 3 CORE TO ENGINE BOX, 2 CORE TO FUEL PUMP
 SMALL PLASTIC GLAND, ALTERNATOR 230V IN
 LARGE PLASTIC GLAND, INLET SOCKET, 3 CORE
 SMALL PLASTIC GLAND, CAPRICORN CONTROLLER, 7 CORE
 LARGE PLASTIC GLAND, OUTLET SOCKET, 3 CORE
 LARGE PLASTIC GLAND, PUMP TO CONTROLLER BOX, DOWN VALVE, E STOP
 LARGE PLASTIC GLAND, CURLY CORD



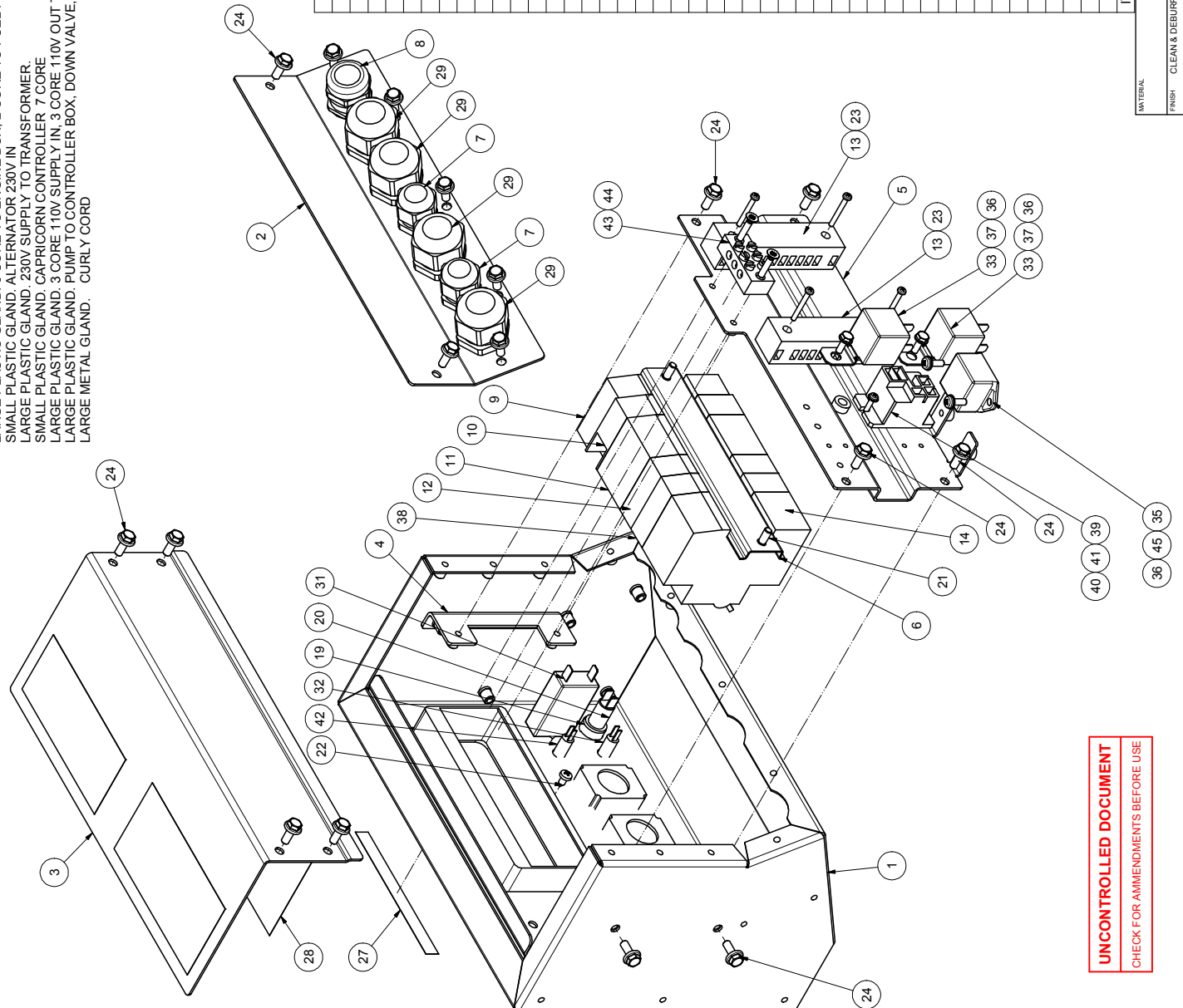
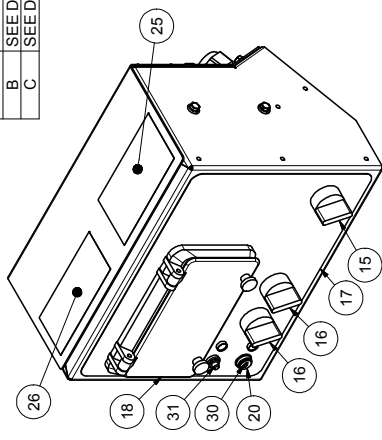
ITEM	DRG. No.	SCALE	STOCK No.	KIT	DESCRIPTION	QTY
46	ISO 7045 - M4 x 12 - 4.8 - Z	01-0060			PAN HEAD SCREW - GRADE A	2
45	ISO 7046-1 - M4 x 20 - 4.8 - Z	01-0239			COUNTERSUNK CROSS HEAD SCREW	2
44	TCP-3667	71-3667			3 WAY DOUBLE SCREW TERMINAL BLOCK	1
43	TCP-3663	70-3663			GREEN LED, W/O RESISTOR	1
42	BS 4320 - M3 (Form A)	02-0017			BRIGHT METAL WASHER - METRIC SERIES	2
41	ISO 7045 - M3 x 12 - 4.8 - Z	01-0031			PAN HEAD SCREW - GRADE A	2
40	TCP-3668	71-3668			POWER RELAY T9A	1
39	TCP-3678	71-0302			MCB 10A TYPE D - SINGLE POLE	1
38	ISO 4017 - M4 x 12	01-0049			HEXAGON HEAD SCREW	2
37	BS 4320 - M4 (Form A)	02-0028			BRIGHT METAL WASHER - METRIC SERIES	4
36	TCP-3664	70-3664			FAN FAIL CONTROLLER	1
35	TCP-2832	71-0005			RELAY BASE	2
34	TCP-3695	71-0006			SOUNDER RELAY 12V	2
33	TCP-3666	70-3666			RED LED, W/O RESISTOR	2
32	TCP-3662	71-3662			SWITCHABLE THERMAL FUSE, 15AMP	1
31	TCP-3442	71-0291			1 AMP FUSE CARTRIDGE	1
30	TCP-3445	71-3445			M25 INDEX CABLE GLAND WITH LOCKNUT	4
29	TCP-3669	80-3669			DECAL, TERMINAL INFORMATION MK2	1
28	TCP-2321-02	80-0348			DECAL, RDC MCB RELAY	1
27	TCP-1098	SA-2998			DECAL, RCD INFORMATION & TEST	1
26	TCP-1093	80-0043			DECAL, DANGER FALLING HAZARD	1
25	DIN 6921 - M5 x 12	01-0205			HEXAGON FLANGED BOL	19
24	ISO 7045 - M3 x 25 - 4.8 - Z	01-0168			PAN HEAD SCREW - GRADE A	4
23	ISO 7049 - ST 4.2 x 9.5 - C - Z	01-0058			CROSS RECESSED PAN HEAD TAPPING SCREW	6
22	ISO 7045 - M5 x 12 - 4.8 - Z	01-0083			PAN HEAD SCREW - GRADE A	2
21	TCP-2822	71-0234			FUSE HOLDER SLOTTED IP67	1
20	TCP-2268	70-0091			SPACER, FUSE HOLDER	1
19	TCP-3002	71-0287			PROTECTIVE WINDOW COVER 8 WAY - GREY	1
18	TCP-4106	80-4106			DECAL, CHANGEOVER SWITCH	1
17	TCP-4254	80-4254			DECAL, CONTROL PANEL, FAN FAIL	1
16	TCP-2815	71-0232			SELECTOR SWITCH 2 POSITION	1
15	TCP-2817	71-0233			SELECTOR SWITCH 3 POSN SPG RET CTR	2
14	TCP-2819	71-0237			TERMINAL BLOCK 12 WAY 21A 275V	2
13	TCP-2836	71-0242			MCB 6A TYPE D	1
12	TCP-3681	71-3681			220V RCD 25AMP 30MA TYPE AC	1
11	TCP-2837	71-0243			RELAY 2 POLE NO 230V COIL	1
10	TCP-2824	71-0238			HOUR COUNTER 230V	1
9	TCP-2818	71-0240			CHANGEOVER SWITCH 3 POLE 32A	1
8	TCP-2137	28-019			M25 CABLE GLAND	1
7	TCP-2108	71-0035			M20 CABLE GLAND WITH LOCKNUT	2
6	TCP-4081	71-4081			KLIPPON RAIL	1
5	TCP-4096-01	51-4107			RAIL and TERMINAL STRIP SUPPORT BRACKET	1
4	TCP-4096-2	51-4107			SUPPORT BRACKET	2
3	TCP-4095-01	51-4107			UPPER COVER - CONTROL BOX	1
2	TCP-4095-02	51-4107			LOWER COVER - CONTROL BOX	1
1	TCP-4094	51-4107			CONTROL BOX MK2	1

UNCONTROLLED DOCUMENT
 CHECK FOR AMENDMENTS BEFORE USE

ITEM	DRG. No.	SCALE	STOCK No.	KIT	DESCRIPTION	QTY
37	46	36			CONTROL BOX ASSY - SIMPLIFIED - WITH CHANGEOVER	1
36	46	36			CONTROL BOX ASSY - SIMPLIFIED - WITH CHANGEOVER	1

ISS	DESCRIPTION	DATE
A	INITIAL ISSUE	01/07/2011
B	SEE DCA 00645	03/08/2011
C	SEE DCA 00665	22/11/2011

CABLE LAYOUT FOR REAR PANEL.
 LARGE PLASTIC GLAND. 3 CORE TO ENGINE BOX, 2 CORE TO FUEL PUMP
 SMALL PLASTIC GLAND. ALTERNATOR 230V IN
 LARGE PLASTIC GLAND. 230V SUPPLY TO TRANSFORMER
 SMALL PLASTIC GLAND. CAPRICORN CONTROLLER 7 CORE
 LARGE PLASTIC GLAND. 3 CORE 110V SUPPLY IN, 3 CORE 110V OUT TO SOCKET
 LARGE PLASTIC GLAND. PUMP TO CONTROLLER BOX, DOWN VALVE, E STOP
 LARGE METAL GLAND. CURLY CORD



45	ISO 7045 - M4 x 12 - 4.8 - Z	01-0060	PAN HEAD SCREW - GRADE A	2
44	ISO 7046-1 - M4 x 20 - 4.8 - Z	01-0239	COUNTERSUNK CROSS HEAD SCREW	2
43	TCP-3687	71-3687	3 WAY DOUBLE SCREW TERMINAL BLOCK	1
42	TCP-3663	70-3663	GREEN LED W/O RESISTOR	1
41	BS 4320 - M3 (Form A)	02-0017	BRIGHT METAL WASHER - METRIC SERIES	2
40	ISO 7045 - M3 x 12 - 4.8 - Z	01-0031	PAN HEAD SCREW - GRADE A	2
39	TCP-3668	71-3668	POWER RELAY T9A	1
38	TCP-3678	71-0302	MCB 10A TYPE D - SINGLE POLE	1
37	ISO 4017 - M4 x 12	01-0049	HEXAGON HEAD SCREW	2
36	BS 4320 - M4 (Form A)	02-0028	BRIGHT METAL WASHER - METRIC SERIES	4
35	TCP-3664	70-3664	FAN FAIL CONTROLLER	1
34	TCP-2832	71-0005	RELAY BASE	2
33	TCP-3695	71-0006	SOUNDER RELAY 12V	2
32	TCP-3666	70-3666	RED LED, W/O RESISTOR	1
31	TCP-3662	71-3662	SWITCHABLE THERMAL FUSE, 15AMP	1
30	TCP-3442	71-0291	1 AMP FUSE CARTRIDGE	1
29	TCP-3445	71-3445	M25 INDEX CABLE GLAND WITH LOCKNUT	4
28	TCP-3669	80-3669	DECAL, TERMINAL INFORMATION MK2	1
27	TCP-2321-02	80-0348	DECAL, RCD INFORMATION & TEST	1
26	TCP-1098	80-0048	DECAL, RCD INFORMATION & TEST	1
25	TCP-1093	80-0043	DECAL, DANGER FALLING HAZARD	1
24	DIN 6921 - M5 x 12	01-0205	HEXAGON FLANGED BOLT	19
23	ISO 7045 - M3 x 25 - 4.8 - Z	01-0168	PAN HEAD SCREW - GRADE A	4
22	ISO 7049 - ST 4.2 x 9.5 - G - Z	01-0068	GROSS RECESSED PAN HEAD TAPPING SCREW	6
21	ISO 7045 - M5 x 12 - 4.8 - Z	01-0083	PAN HEAD SCREW - GRADE A	2
20	TCP-2822	71-0234	FUSE HOLDER SLOTTED IP67	2
19	TCP-2268	70-0091	SPACER, FUSE HOLDER	1
18	TCP-3002	71-0287	PROTECTIVE WINDOW COVER 8 WAY - GREY	1
17	TCP-4254	80-4254	DECAL, CONTROL PANEL, FAN FAIL	1
16	TCP-2815	71-0232	SELECTOR SWITCH 2 POSITION	2
15	TCP-2817	71-0233	SELECTOR SWITCH 3 POSN SPG RET CTR	2
14	TCP-3449	16-0042	MCB 16A TYPE D - DUAL POLE	1
13	TCP-2819	71-0237	TERMINAL BLOCK 12 WAY 21A 215V	2
12	TCP-2836	71-0242	MCB 6A TYPE D	2
11	TCP-3681	71-3681	220V RCD 25AMP 30MA TYPE AC	1
10	TCP-2837	71-0243	RELAY 2 POLE NO 230V COIL	1
9	TCP-2824	71-0238	HOUR COUNTER 230V	1
8	TCP-2137	28-019	M25 CABLE GLAND	1
7	TCP-2108	71-0035	M20 CABLE GLAND WITH LOCKNUT	2
6	TCP-4081	71-4081	KLIPPON RAIL	1
5	TCP-4096-01	51-4107	RAIL and TERMINAL STRIP SUPPORT BRACKET	1
4	TCP-4096-2	51-4107	SUPPORT BRACKET	2
3	TCP-4095-01	51-4107	UPPER COVER - CONTROL BOX	1
2	TCP-4095-02	51-4107	LOWER COVER - CONTROL BOX	1
1	TCP-4094	51-4107	CONTROL BOX Mk2	1

ITEM	DRG. No.	SCALE	STOCK No.	DESCRIPTION	QTY
	1/2			CONTROL BOX ASSY - SIMPLIFIED - 110V	
				OUT	

UNCONTROLLED DOCUMENT
 CHECK FOR AMENDMENTS BEFORE USE

TAYLOR CONSTRUCTION PLANT LTD.
 GARDEN LANE, CHORLEY, LANCASHIRE, ENGLAND, BL7 8JZ
 TEL: +44(0)1253 838383
 WWW.TCP.CO.UK

DATE: 10/12/2008
 CHECKED: []

DRG No: TCP-4255-03 SA
 SHEET 1 OF 1
 ISD: SA-4255-03

FINISH: CLEAN & DEBURR

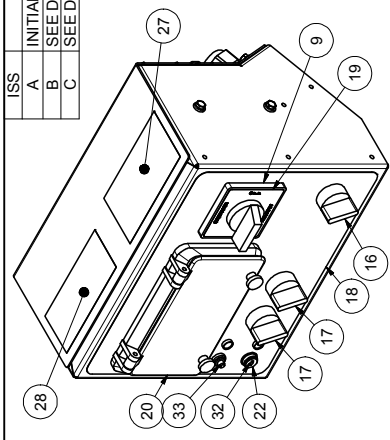
SCALE: DIMENSIONS IN MM
 1:1
 ANGLES: 1/2

DRAWN: []
 CR: []

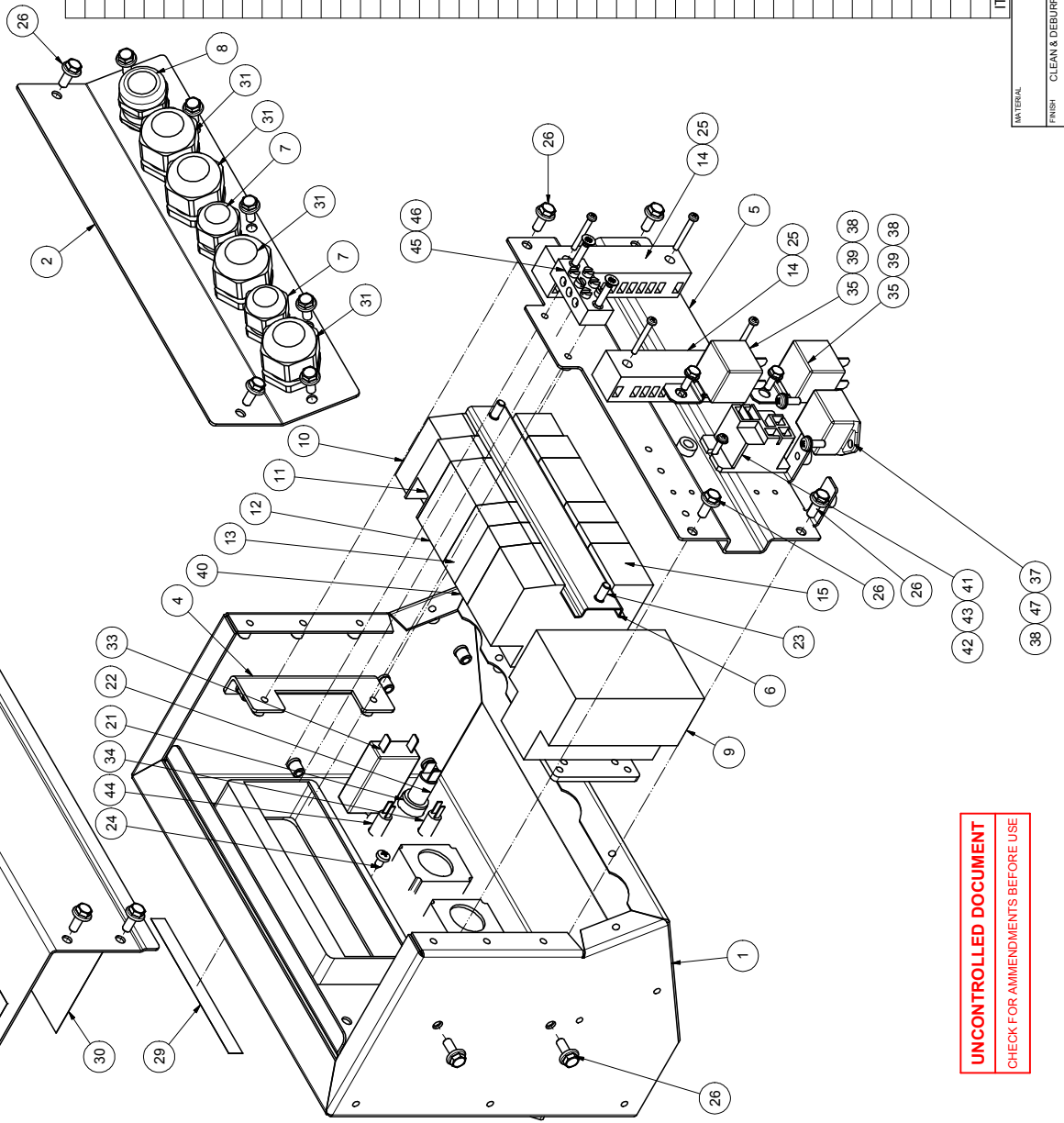
THRU HOLE: []

A2

ISS	DESCRIPTION	DATE
A	INITIAL ISSUE	01/07/2011
B	SEE DCA 00645	03/08/2011
C	SEE DCA 00665	22/11/2011



CABLE LAYOUT FOR REAR PANEL.
 LARGE PLASTIC GLAND. 3 CORE TO ENGINE BOX. 2 CORE TO FUEL PUMP.
 SMALL PLASTIC GLAND. ALTERNATOR 230V IN
 LARGE PLASTIC GLAND. 230V SUPPLY TO TRANSFORMER. 230V FROM INPUT
 SMALL PLASTIC GLAND. CAPRICORN CONTROLLER. 7 CORE
 LARGE PLASTIC GLAND. 3 CORE 110V SUPPLY IN. 3 CORE 110V OUT TO SOCKET
 LARGE PLASTIC GLAND. PUMP TO CONTROLLER BOX. DOWN VALVE. E STOP
 LARGE METAL GLAND. CURLY CORD



ITEM	DRG. No.	SCALE	TITLE	STOCK No.	KIT	DESCRIPTION	QTY
47	ISO 7045 - M4 x 12 - 4.8 - Z	01-0060				PAN HEAD SCREW - GRADE A	2
46	ISO 7045-1 - M4 x 20 - 4.8 - Z	01-0239				COUNTERSUNK CROSS HEAD SCREW	2
45	TCP-3667	71-3667				3 WAY DOUBLE SCREW TERMINAL BLOCK	1
44	TCP-3663	70-3663				GREEN LED, W/O RESISTOR	1
43	BS 4320 - M3 (Form A)	02-0017				BRIGHT METAL WASHER - METRIC SERIES	2
42	ISO 7045 - M3 x 12 - 4.8 - Z	01-0031				PAN HEAD SCREW - GRADE A	2
41	TCP-3668	71-3668				POWER RELAY T9A	1
40	TCP-3678	71-0302				MCB 10A TYPE D - SINGLE POLE	1
39	ISO 4017 - M4 x 12	01-0049				HEXAGON HEAD SCREW	2
38	BS 4320 - M4 (Form A)	02-0028				BRIGHT METAL WASHER - METRIC SERIES	4
37	TCP-3664	70-3664				FAN FAIL CONTROLLER	1
36	TCP-2832	71-0005				RELAY BASE	2
35	TCP-3695	71-0006				SOUNDER RELAY 12V	2
34	TCP-3666	71-3666				RED LED, W/O RESISTOR	1
33	TCP-3662	71-3662				SWITCHABLE THERMAL FUSE, 15AMP	1
32	TCP-3442	71-0291				1 AMP FUSE CARTRIDGE	1
31	TCP-3445	71-3445				M25 INDEX CABLE GLAND WITH LOCKNUT	4
30	TCP-3669	80-3669				DECAL, TERMINAL INFORMATION MK2	1
29	TCP-2321-02	80-0348	SA-2998			DECAL, RDC MCB RELAY	1
28	TCP-1098	80-0048	SA-2998			DECAL, RCD INFORMATION & TEST	1
27	TCP-1093	80-0043	SA-2998			DECAL, DANGER FALLING HAZARD	1
26	DIN 6921 - M5 x 12	01-0205				HEXAGON FLANGED BOLT	19
25	ISO 7045 - M3 x 25 - 4.8 - Z	01-0168				PAN HEAD SCREW - GRADE A	4
24	ISO 7049 - ST 4.2 x 9.5 - C - Z	01-0058				CROSS RECESSED PAN HEAD TAPPING SCREW	6
23	ISO 7045 - M5 x 12 - 4.8 - Z	01-0083				PAN HEAD SCREW - GRADE A	2
22	TCP-2822	71-0234				FUSE HOLDER SLOTTED IP67	1
21	TCP-2268	70-0091				SPACER, FUSE HOLDER	1
20	TCP-3002	71-0287				PROTECTIVE WINDOW COVER 8 WAY - GREY	1
19	TCP-4106	80-4106				DECAL, CHANGE OVER SWITCH	1
18	TCP-4254	80-4254				DECAL, CONTROL PANEL, FAN FAIL	1
17	TCP-2815	71-0232				SELECTOR SWITCH 2 POSITION	2
16	TCP-2817	71-0233				SELECTOR SWITCH 3 POSN SPG RET CTR	1
15	TCP-3449	16-0042				MCB 16A TYPE D - DUAL POLE	1
14	TCP-2819	71-0237				TERMINAL BLOCK 12 WAY 21A 275V	2
13	TCP-2836	71-0242				MCB 6A TYPE D	1
12	TCP-3681	71-3681				220V RCD 25AMP 30MA TYPE AC	1
11	TCP-2837	71-0243				RELAY 2 POLE NO 230V COIL	1
10	TCP-2824	71-0238				HOUR COUNTER 230V	1
9	TCP-2818	71-0240				CHANGE OVER SWITCH 3 POLE 32A	1
8	TCP-2137	28-019				M25 CABLE GLAND	1
7	TCP-2108	71-0035				M20 CABLE GLAND WITH LOCKNUT	2
6	TCP-4081	71-4081				KLIPPON RAIL	1
5	TCP-4096-01	51-4107				RAIL and TERMINAL STRIP SUPPORT BRACKET	1
4	TCP-4096-2	51-4107				SUPPORT BRACKET	2
3	TCP-4095-01	51-4107				UPPER COVER - CONTROL BOX	1
2	TCP-4095-02	51-4107				LOWER COVER - CONTROL BOX	1
1	TCP-4094	51-4107				CONTROL BOX MK2	1

ITEM	DRG. No.	SCALE	TITLE	STOCK No.	KIT	DESCRIPTION	QTY
38	47					CONTROL BOX ASSY - SIMPLIFIED - 110V IN - 230V OUT	1

UNCONTROLLED DOCUMENT
 CHECK FOR AMENDMENTS BEFORE USE

TAYLOR CONSTRUCTION PLANT LTD.
 GARDEN LANE, CHAFFERS CROSS, CHAFFERS CROSS, WALSLEY, WEST YORKSHIRE, LEA 15 8JQ
 TEL: 01924 634333 FAX: 01924 634339
 WWW.TCP.CO.UK

FINISH: CLEAN & DEBURR

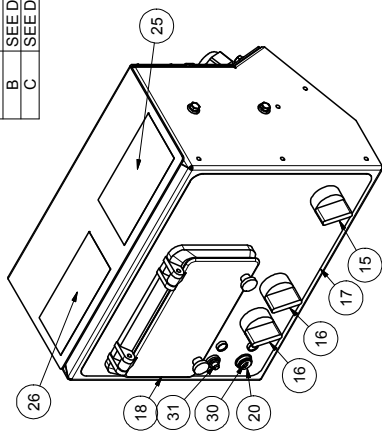
DRG. No. 12
 DIMENSIONS IN: mm
 TOLERANCES: AS SHOWN
 ANGLES: 90°

SCALE: 1:2

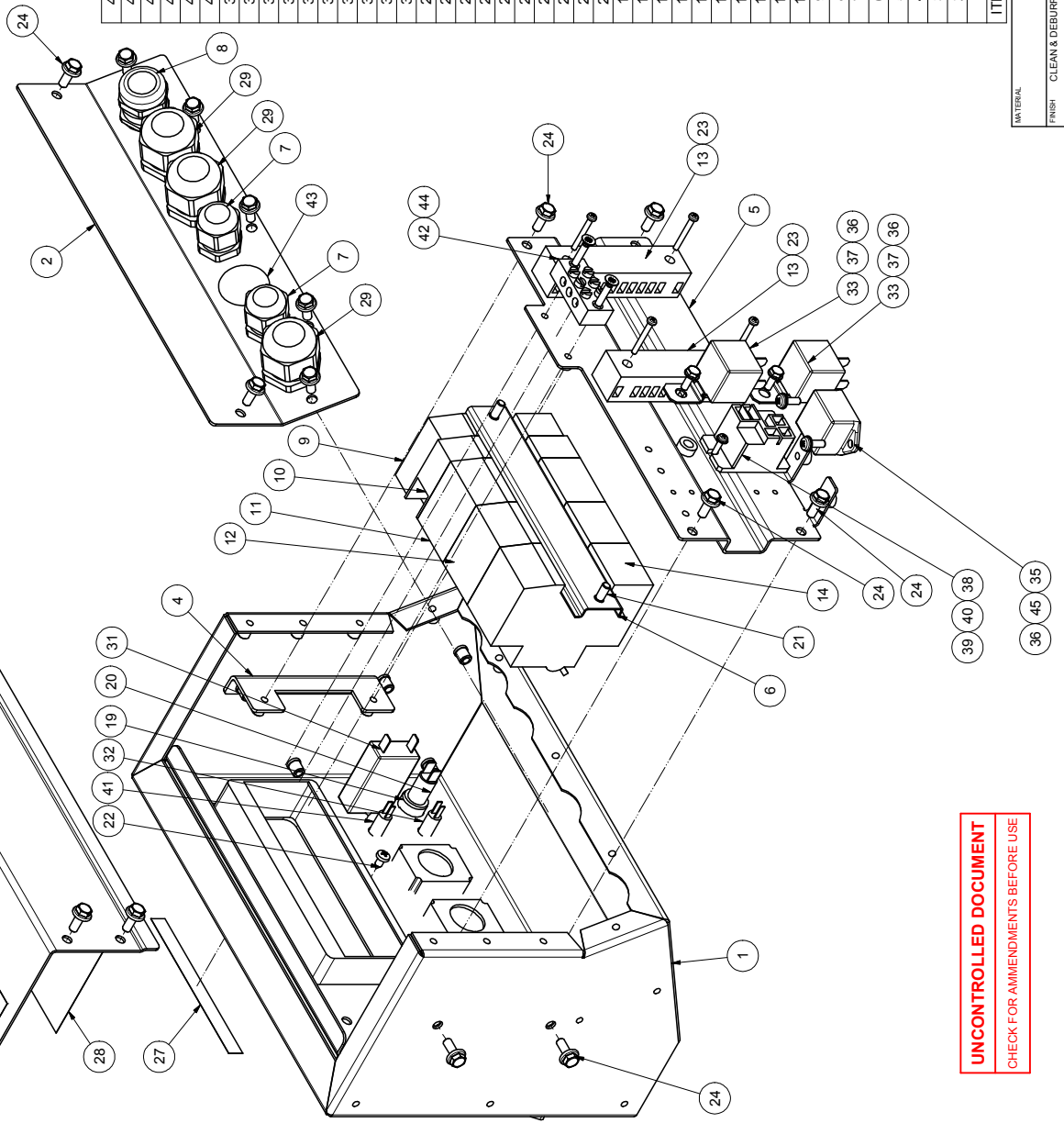
DATE: 08/07/2011
 DRAWN: CR
 CHECKED: [Signature]

DRG. No. TCP-4255-04 SA
 SHEET 1 OF 1
 ISD: SA-4255-04

ISS	DESCRIPTION	DATE
A	INITIAL ISSUE	01/07/2011
B	SEE DCA 00645	03/08/2011
C	SEE DCA 00665	22/11/2011



CABLE LAYOUT FOR REAR PANEL.
 LARGE PLASTIC GLAND. 3 CORE TO ENGINE BOX. 2 CORE TO FUEL PUMP
 SMALL PLASTIC GLAND. ALTERNATOR 230V IN
 LARGE BLANKING PLUG.
 SMALL PLASTIC GLAND. CAPRICORN CONTROLLER 7 CORE
 LARGE PLASTIC GLAND. 3 CORE 110V SUPPLY IN. 3 CORE 110V OUT TO SOCKET
 LARGE PLASTIC GLAND. PUMP TO CONTROLLER BOX. DOWN VALVE. E STOP
 LARGE METAL GLAND. CURLY CORD



ITEM	DRG. NO.	SCALE	DRG. NO.	KIT	STOCK No.	DESCRIPTION	QTY
45	ISO 7045 - M4 x 12 - 4.8 - Z	01-0060				PAN HEAD SCREW - GRADE A	2
44	ISO 7046-1 - M4 x 20 - 4.8 - Z	01-0239				COUNTERSUNK CROSS HEAD SCREW	2
43	TCP-3683	03-0010				25mm BLANKING GROMMET	1
42	TCP-3687	71-3667				3 WAY DOUBLE SCREW TERMINAL BLOCK	1
41	TCP-3663	70-3663				GREEN LED, W/O RESISTOR	1
40	BS 4320 - M3 (Form A)	02-0017				BRIGHT METAL WASHER - METRIC SERIES	2
39	ISO 7045 - M3 x 12 - 4.8 - Z	01-0031				PAN HEAD SCREW - GRADE A	2
38	TCP-3668	71-3668				POWER RELAY 19A	1
37	ISO 4017 - M4 x 12	01-0049				HEXAGON HEAD SCREW	2
36	BS 4320 - M4 (Form A)	02-0028				BRIGHT METAL WASHER - METRIC SERIES	4
35	TCP-3664	70-3664				FAN FAIL CONTROLLER	1
34	TCP-2832	71-0005				RELAY BASE	2
33	TCP-3695	71-0006				SOUNDER RELAY 12V	2
32	TCP-3666	70-3666				RED LED, W/O RESISTOR	1
31	TCP-3662	71-3662				SWITCHABLE THERMAL FUSE, 15AMP	1
30	TCP-3442	71-0291				1 AMP FUSE CARTRIDGE	1
29	TCP-3445	71-3445				M25 INDEX CABLE GLAND WITH LOCKNUT	3
28	TCP-3669	80-3669				DECAL, TERMINAL INFORMATION MK2	1
27	TCP-2321-02	80-0348				DECAL, RCD MCB RELAY	1
26	TCP-1098	80-0048	SA-2998			DECAL, RCD INFORMATION & TEST	1
25	TCP-1093	80-0043	SA-2998			DECAL, DANGER FALLING HAZARD	1
24	DIN 6921 - M5 x 12	01-0205				HEXAGON FLANGED BOLT	19
23	ISO 7045 - M3 x 25 - 4.8 - Z	01-0168				PAN HEAD SCREW - GRADE A	4
22	ISO 7049 - S1 4.2 x 9.5 - C - Z	01-0058				CROSS RECESSED PAN HEAD TAPPING SCREW	6
21	ISO 7045 - M5 x 12 - 4.8 - Z	01-0083				PAN HEAD SCREW - GRADE A	2
20	TCP-2822	71-0234				FUSE HOLDER SLOTTED IP67	1
19	TCP-2268	70-0091				SPACER, FUSE HOLDER	1
18	TCP-3002	71-0287				PROTECTIVE WINDOW COVER 8WAY - GREY	1
17	TCP-4254	80-4254				DECAL, CONTROL PANEL, FAN FAIL	1
16	TCP-2815	71-0232				SELECTOR SWITCH 2 POSITION	2
15	TCP-2817	71-0233				SELECTOR SWITCH 3 POSN SPG RET CTR	1
14	TCP-3449	16-0042				MCB 16A TYPE D - DUAL POLE	1
13	TCP-2819	71-0237				TERMINAL BLOCK 12 WAY 21A 275V	2
12	TCP-3087	71-0301				MCB 6A TYPE D - DUAL POLE	1
11	TCP-3679	71-3679				220V RCCB 25AMP 30MA TYPE A	1
10	TCP-2837	71-0243				RELAY 2 POLE NO 230V COIL	1
9	TCP-2824	71-0238				HOUR COUNTER 230V	1
8	TCP-2137	28-019				M25 CABLE GLAND	1
7	TCP-2108	71-0035				M20 CABLE GLAND WITH LOCKNUT	1
6	TCP-4081	71-4081				KLIPPON RAIL	2
5	TCP-4096-01	51-4107				RAIL and TERMINAL STRIP SUPPORT BRACKET	1
4	TCP-4096-2	51-4107				SUPPORT BRACKET	2
3	TCP-4095-01	51-4107				UPPER COVER - CONTROL BOX	1
2	TCP-4095-02	51-4107				LOWER COVER - CONTROL BOX	1
1	TCP-4094	51-4107				CONTROL BOX MK2	1

ITEM	DRG. NO.	SCALE	DRG. NO.	KIT	STOCK No.	DESCRIPTION	QTY
		1:2				CONTROL BOX ASSY - SIMPLIFIED - DOUBLE POLE	

TAYLOR CONSTRUCTION PLANT LTD.
 GARDEN LANE, WALSLEY, WEST YORKS, LEA 10 1BA
 TEL: 44 (0)1924 618433
 WWW.TCP.CO.UK

SCALE: 1:2
 DIMENSIONS IN MM
 TOLERANCES: ± 0.5
 UNLESS STATED OTHERWISE

FINISH: CLEAN & DEBURR

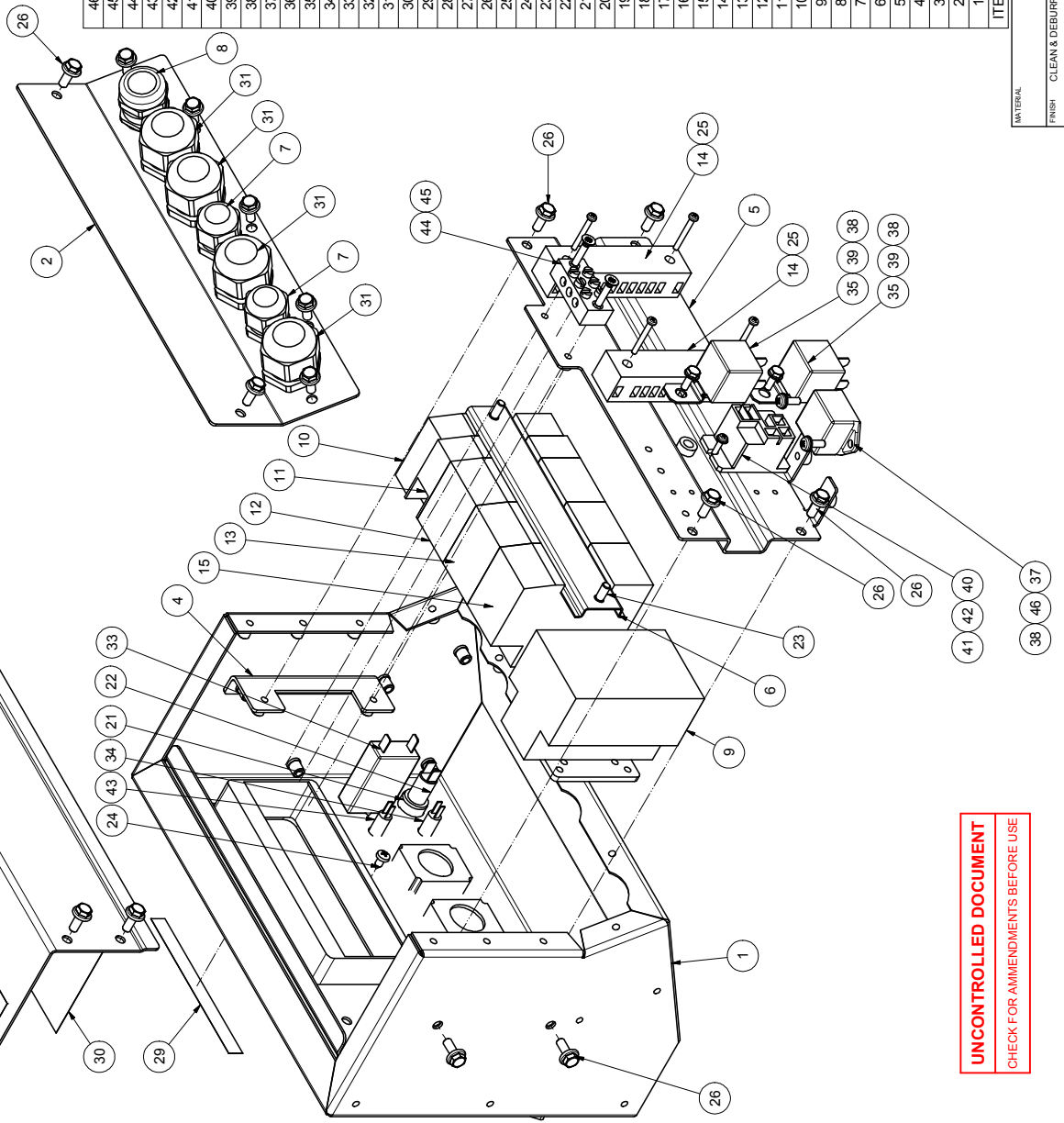
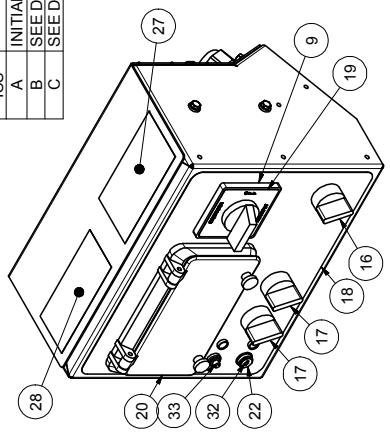
DRAWN: CR
 DATE: 08/07/2011
 CHECKED:

DRG. NO.: TCP-4255-05 SA
 SHEET 1 OF 1
 STOCKING: SA-4255-05
 TITLE: CONTROL BOX ASSY - SIMPLIFIED - DOUBLE POLE

UNCONTROLLED DOCUMENT
 CHECK FOR AMENDMENTS BEFORE USE

ISS	DESCRIPTION	DATE
A	INITIAL ISSUE	01/07/2011
B	SEE DCA 00645	03/08/2011
C	SEE DCA 00665	22/11/2011

CABLE LAYOUT FOR REAR PANEL.
 LARGE PLASTIC GLAND. 3 CORE TO ENGINE BOX. 2 CORE TO FUEL PUMP.
 SMALL PLASTIC GLAND. ALTERNATOR 230V IN.
 LARGE PLASTIC GLAND. INLET SOCKET. 3 CORE
 SMALL PLASTIC GLAND. CAPRICORN CONTROLLER. 7 CORE
 LARGE PLASTIC GLAND. OUTLET SOCKET. 3 CORE
 LARGE PLASTIC GLAND. PUMP TO CONTROLLER BOX. DOWN VALVE. E STOP
 LARGE METAL GLAND. CURLY CORD



ITEM	DRG. No.	SCALE	STOCK No.	KIT	DESCRIPTION	QTY
46	ISO 7045 - M4 x 12 - 4.8 - Z	01-0060			PAN HEAD SCREW - GRADE A	2
45	ISO 7046-1 - M4 x 20 - 4.8 - Z	01-0239			COUNTERSUNK CROSS HEAD SCREW	2
44	TCP-3667	71-3667			3 WAY DOUBLE SCREW TERMINAL BLOCK	1
43	TCP-3663	70-3663			GREEN LED, W/O RESISTOR	1
42	BS 4320 - M3 (Form A)	02-0017			BRIGHT METAL WASHER - METRIC SERIES	2
41	ISO 7045 - M3 x 12 - 4.8 - Z	01-0031			PAN HEAD SCREW - GRADE A	1
40	TCP-3668	71-3668			POWER RELAY T9A	1
39	ISO 4017 - M4 x 12	01-0049			HEXAGON HEAD SCREW	2
38	BS 4320 - M4 (Form A)	02-0028			BRIGHT METAL WASHER - METRIC SERIES	4
37	TCP-3664	70-3664			FAN FAIL CONTROLLER	1
36	TCP-2832	71-0005			RELAY BASE	2
35	TCP-3695	71-0006			SOUNDER RELAY 12V	2
34	TCP-3666	70-3666			RED LED, W/O RESISTOR	1
33	TCP-3662	71-3662			SWITCHABLE THERMAL FUSE, 15AMP	1
32	TCP-3442	71-0291			1 AMP FUSE CARTRIDGE	1
31	TCP-3445	71-3445			M25 INDEX CABLE GLAND WITH LOCKNUT	4
30	TCP-3669	80-3669			DECAL, TERMINAL INFORMATION MK2	1
29	TCP-2321-02	80-0348			DECAL, RDC MCB RELAY	1
28	TCP-1098	80-0048		SA-2998	DECAL, RCD INFORMATION & TEST	1
27	TCP-1093	80-0043		SA-2998	DECAL, DANGER FALLING HAZARD	1
26	DIN 6821 - M5 x 12	01-0205			HEXAGON FLANGED BOLT	19
25	ISO 7045 - M3 x 25 - 4.8 - Z	01-0168			PAN HEAD SCREW - GRADE A	4
24	ISO 7049 - ST 4.2 x 9.5 - C - Z	01-0058			CROSS RECESSED PAN HEAD TAPPING SCREW	6
23	ISO 7045 - M5 x 12 - 4.8 - Z	01-0083			PAN HEAD SCREW - GRADE A	2
22	TCP-2822	71-0234			FUSE HOLDER SLOTTED IP67	1
21	TCP-2268	70-0091			SPACER, FUSE HOLDER	1
20	TCP-3002	71-0287			PROTECTIVE WINDOW COVER 8 WAY - GREY	1
19	TCP-4106	80-4106			DECAL, CHANGE OVER SWITCH	1
18	TCP-4254	80-4254			DECAL, CONTROL PANEL, FAN FAIL	1
17	TCP-2815	71-0232			SELECTOR SWITCH 2 POSITION	2
16	TCP-2817	71-0233			SELECTOR SWITCH 3 POSN SPG RET CTR	1
15	TCP-3449	16-0042			MCB 16A TYPE D - DUAL POLE	1
14	TCP-2819	71-0237			TERMINAL BLOCK 12 WAY 21A 275V	2
13	TCP-3087	71-0301			MCB 6A TYPE D - DUAL POLE	1
12	TCP-3679	71-3679			220V RCCB 25AMP 30MA TYPE A	1
11	TCP-2837	71-0243			RELAY 2 POLE NO 230V COIL	1
10	TCP-2824	71-0238			HOOR COUNTER 230V	1
9	TCP-2818	71-0240			CHANGE OVER SWITCH 3 POLE 32A	1
8	TCP-2137	28-019			M25 CABLE GLAND	1
7	TCP-2108	71-0035			M20 CABLE GLAND WITH LOCKNUT	2
6	TCP-4081	71-4081			KLIPPON RAIL	1
5	TCP-4096-01	51-4107			RAIL and TERMINAL STRIP SUPPORT BRACKET	1
4	TCP-4096-2	51-4107			SUPPORT BRACKET	2
3	TCP-4095-01	51-4107			UPPER COVER - CONTROL BOX	1
2	TCP-4095-02	51-4107			LOWER COVER - CONTROL BOX	1
1	TCP-4094	51-4107			CONTROL BOX Mk2	1

ITEM	DRG. No.	SCALE	STOCK No.	KIT	DESCRIPTION	QTY
38	46	37			CONTROL BOX ASSY - SIMPLIFIED - D POLE -	1
37					WITH CHANGE OVER	1

UNCONTROLLED DOCUMENT
 CHECK FOR AMMENDMENTS BEFORE USE

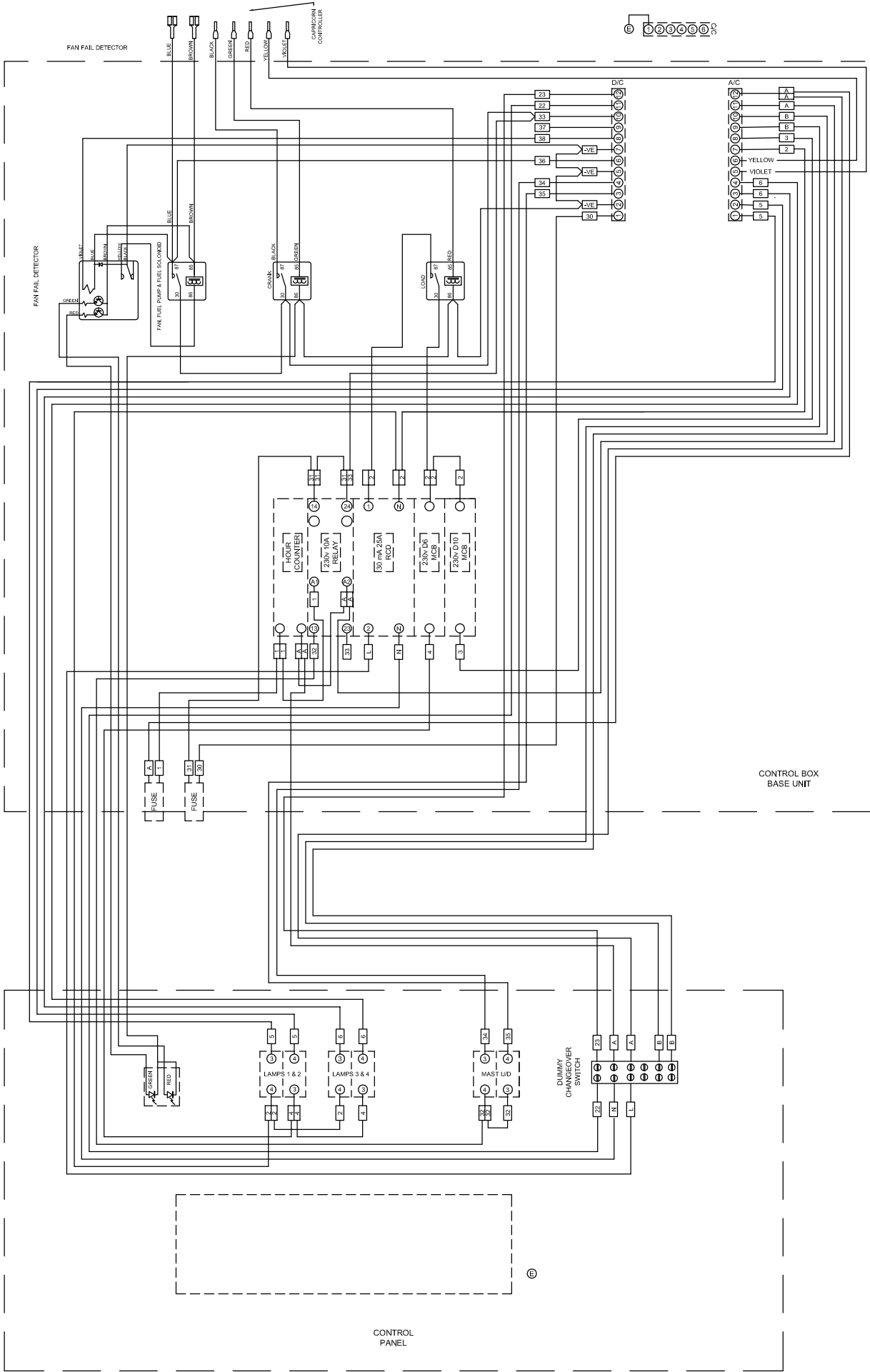
ECOLITE-P v2

SCHEMATICS

THIS DRAWING IS THE PROPERTY OF TAYLOR CONSTRUCTION PLANT LTD. AND MUST NOT BE COPIED REPRODUCED OR DISCLOSED EXCEPT AS AUTHORISED IN WRITING BY TAYLOR CONSTRUCTION PLANT LTD. © 2009

TAYLOR CONSTRUCTION PLANT LTD. RESERVE THE RIGHT TO CHANGE PRODUCTS & SPECIFICATIONS WITHOUT PRIOR NOTICE.

DWG No. TCP-4255-01 WS



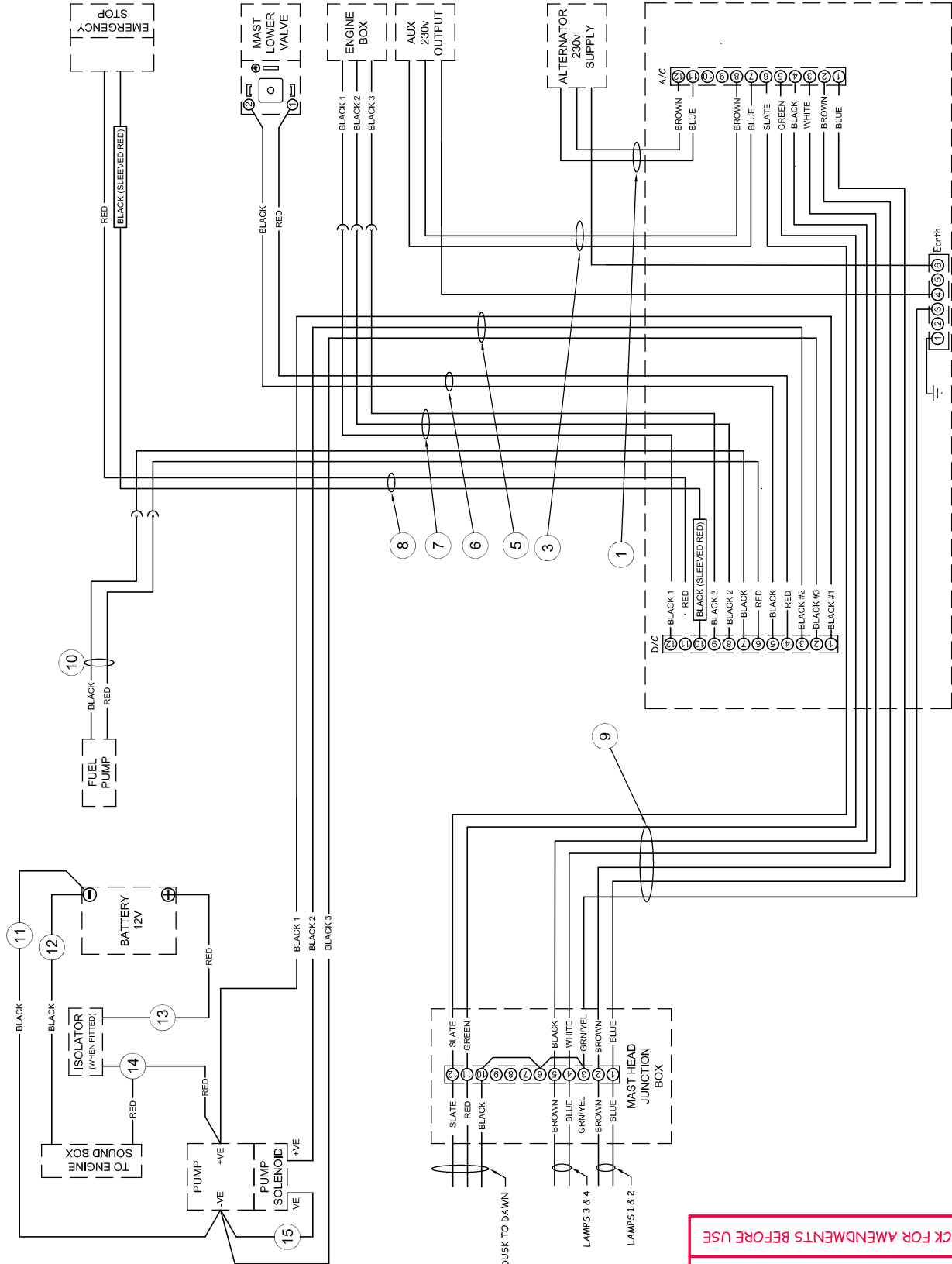
UNCONTROLLED DOCUMENT
CHECK FOR AMENDMENTS BEFORE USE

USED INCONJUNCTION WITH TCP-4255-01 SA

ISS	DESCRIPTION	CHKD	DATE	ISS	DESCRIPTION	CHKD	DATE
B	SEE DCA 00646		08/11				
A	INITIAL ISSUE		07/11				

DRN	LSV	TITLE:	DWG No.	DATE
		ECOLITE CONTROL BOX INTERNAL CABLE IDENTIFICATION	TCP-4255-01 WS	14.07.2011

CHKD	DATE	DESCRIPTION



UNCONTROLLED DOCUMENT
CHECK FOR AMENDMENTS BEFORE USE

NOTE:
CABLE No. 5 & 7 ARE SPECIAL SIGNAL CABLE.
i.e. THE 3 INNER CORES ARE BLACK & NUMBERED

Item	Drwg No.	Shk. No.	Core Colours
1	2.5mm ² 3 CORE	71-0062	GE/YE-BN-BU
2	2.5mm ² 3 CORE	71-0062	GE/YE-BN-BU
3	2.5mm ² 3 CORE	71-0062	GE/YE-BN-BU
4	2.5mm ² 3 CORE	71-0062	GE/YE-BN-BU
5**	2.5mm ² 3 CORE	71-0349	BK Numbered
6	1.5mm ² 2 CORE	71-0347	RD-BK
7**	1.5mm ² 3 CORE	71-0349	BK Numbered
8	2.5mm ² 2 CORE	71-0348	RD-BK
9	CURLY CORD	71-0273	-
10	1.5mm ² 2 CORE	71-0347	RD-BK
11	1.5mm ² 1 CORE	73-3073	BK
12	1.5mm ² 1 CORE	73-3071	BK
13	1.5mm ² 1 CORE	73-3070	RD
14	1.5mm ² 1 CORE	73-3072	RD
15	2.5mm ² 1 CORE	73-0031	RD
16	1.5mm ² 2 CORE	71-0347	RD-BK
17	1.5mm ² 2 CORE	71-0347	RD-BK

USED IN CONJUNCTION WITH TCP-4255-01 SA

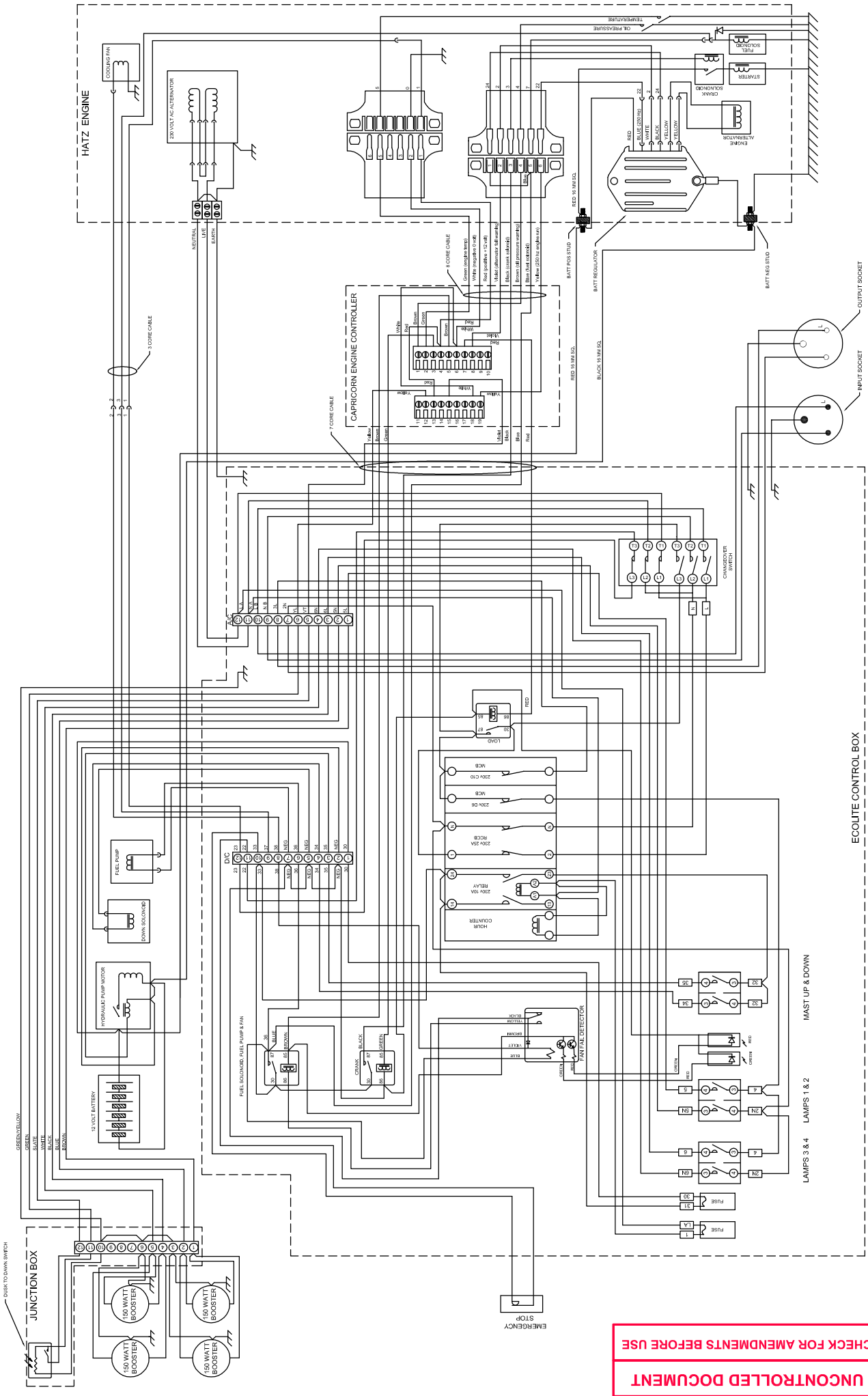
ISS	DESCRIPTION	CHK'D	DATE	ISS	DESCRIPTION	CHK'D	DATE
B	SEE DCA 00646		08/11				
A	INITIAL ISSUE		07/11				

TAYLOR CONSTRUCTION PLANT LTD.		TITLE: ECOLITE CONTROL BOX	
QUAYSIDE PARK, BATES ROAD, MALDON, ESSEX, CM9 5FA TEL+441621 850777 FAX+441621 843330 WWW.TCP.EU.COM	EXTERNAL CABLE IDENTIFICATION		
DWG No. TCP-4255-01 WS	Shk. 2 of 2	DRN LSV	CHK'D
		APP'D	DATE
			18.07.2011

THIS DRAWING IS THE PROPERTY OF TAYLOR CONSTRUCTION PLANT LTD. AND MUST NOT BE COPIED, REPRODUCED OR DISCLOSED EXCEPT AS AUTHORISED IN WRITING BY TAYLOR CONSTRUCTION PLANT LTD. © 2009

TAYLOR CONSTRUCTION PLANT LTD. RESERVE THE RIGHT TO CHANGE PRODUCTS & SPECIFICATIONS WITHOUT PRIOR NOTICE.

DWG No. TCP-4255-02 SD



UNCONTROLLED DOCUMENT
CHECK FOR AMENDMENTS BEFORE USE

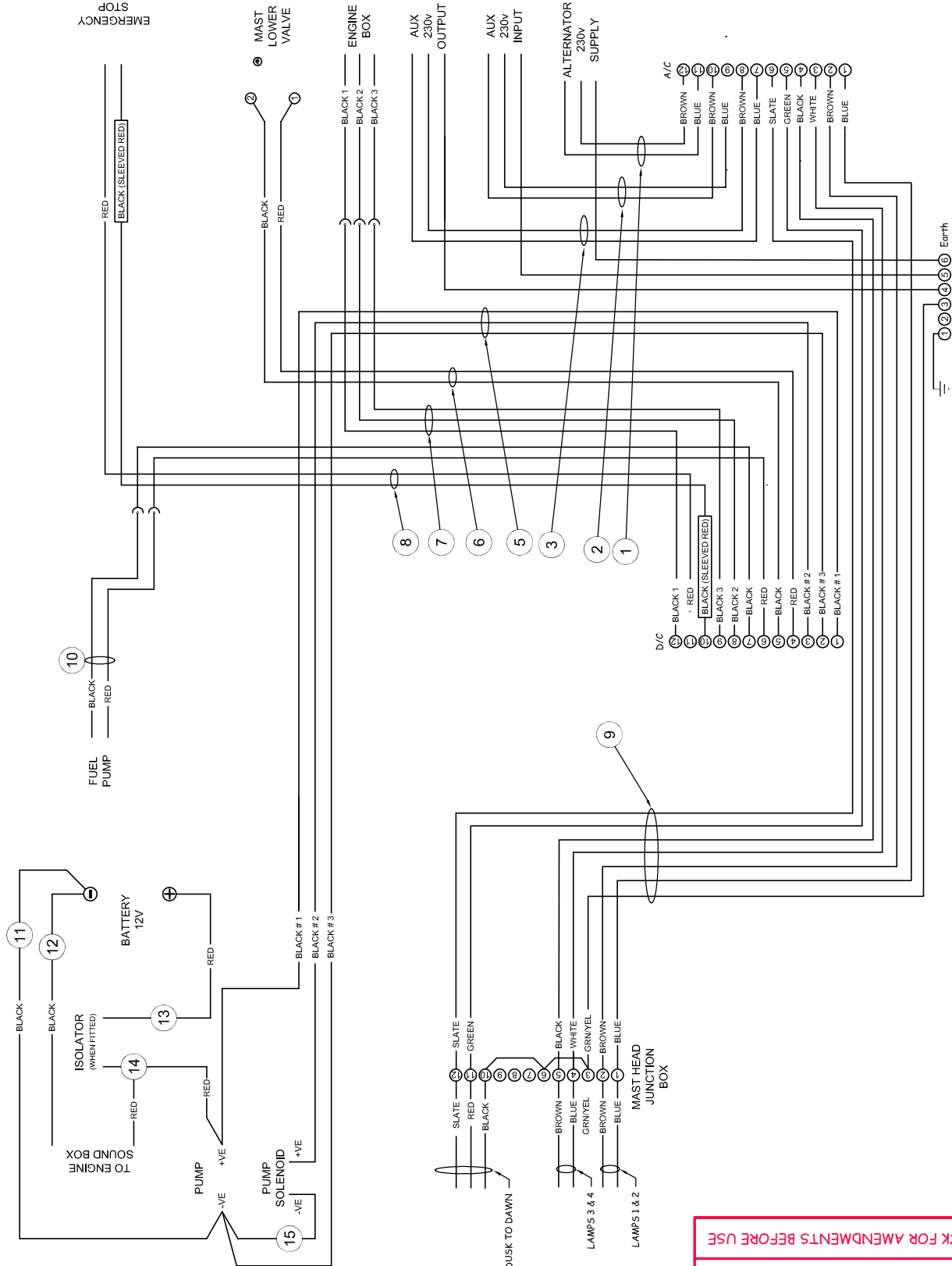
ISS	DESCRIPTION	CHKD	DATE	ISS	DATE	CHKD	DATE	DESCRIPTION
B	SEE DCA 00672		12/11					
A	INITIAL ISSUE		07/11					

TAYLOR CONSTRUCTION PLANT LTD. QUAYSIDE PARK, BATES ROAD, MALDON, ESSEX, CM8 5FA TEL: 441621 650777 FAX: 441621 943330 WWW.TCP.EU.COM	TITLE: SCHEMATIC, CAPRICORN CONTROL 230 VOLT IN / OUT. ECOLITE-T & P DWG No. TCP-4255-02 SD Sht. 1 of 1
---	---

DRN	LSV	CHKD	APPD	DATE
				11.07.2011

THIS DRAWING IS THE PROPERTY OF TAYLOR CONSTRUCTION PLANT LTD. AND MUST NOT BE COPIED, REPRODUCED OR DISCLOSED EXCEPT AS AUTHORISED IN WRITING BY TAYLOR CONSTRUCTION PLANT LTD. © 2009

TAYLOR CONSTRUCTION PLANT LTD. RESERVE THE RIGHT TO CHANGE PRODUCTS & SPECIFICATIONS WITHOUT PRIOR NOTICE.



UNCONTROLLED DOCUMENT
CHECK FOR AMENDMENTS BEFORE USE

NOTE:
CABLE No. 5 & 7 ARE SPECIAL SIGNAL CABLE.
i.e. THE 3 INNER CORES ARE BLACK & NUMBERED

Item	Drwg No.	Stk. No.	Core Colours
1	2.5mm ² 3 CORE		GE/YE-BN-BU
2	2.5mm ² 3 CORE		GE/YE-BN-BU
3	2.5mm ² 3 CORE		GE/YE-BN-BU
4	N/A		
5**	2.5mm ² 3 CORE		BK Numbered
6	1.5mm ² 2 CORE		RD-BK
7**	2.5mm ² 3 CORE		BK Numbered
8	2.5mm ² 2 CORE		RD-BK
9	CURLY CORD		MULTI COLOUR
10	1.5mm ² 2 CORE		RD-BK
11	1.5mm ² 1 CORE		BK
12	1.5mm ² 1 CORE		BK
13	1.5mm ² 1 CORE		RD
14	1.5mm ² 1 CORE		RD
15	2.5mm ² 1 CORE		RD

USED IN CONJUNCTION WITH TCP-4255-02 SA

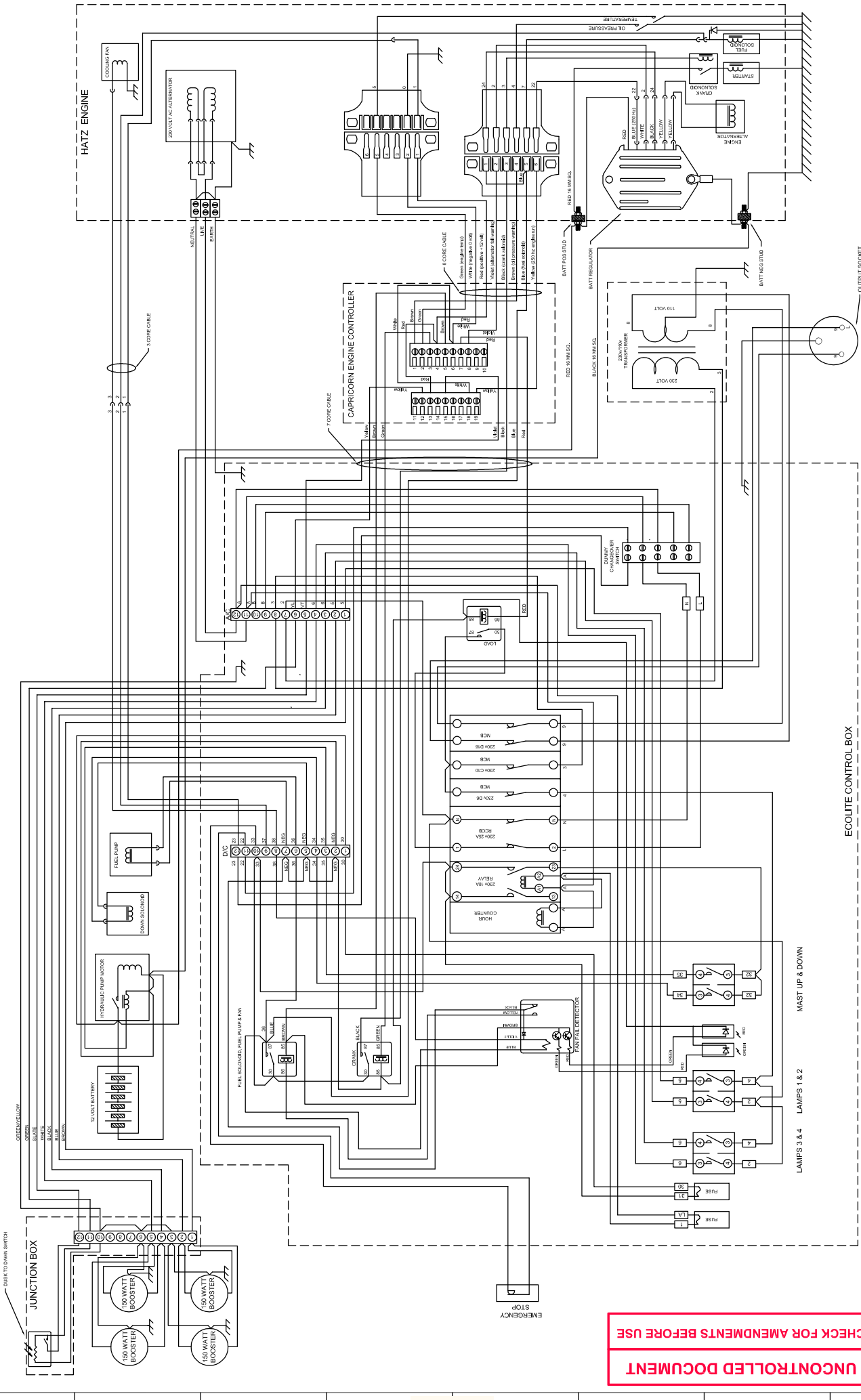
ISS	DESCRIPTION	DATE	ISS	DESCRIPTION	DATE	CHK'D	DATE	ISS	DESCRIPTION	DATE	CHK'D	DATE
D	SEE DCA 00672	12/11										
C	SEE DCA 00667	11/11										
B	SEE DCA 00646	08/11										
A	INITIAL ISSUE	07/11										

TAYLOR CONSTRUCTION PLANT LTD. QUAYSIDE PARK, BATES ROAD, MILDON, ESSEX, CM9 5FA TEL+441621 850777 FAX+441621 843330 WWW.TCP.EU.COM		TITLE: ECOLITE CONTROL BOX EXTERNAL CABLE IDENTIFICATION		DRN LSV
DWG No. TCP-4255-02 WS		Sht. 2 of 2		CHK'D
				APP'D
				DATE
				14.07.2011

THIS DRAWING IS THE PROPERTY OF TAYLOR CONSTRUCTION PLANT LTD. AND MUST NOT BE COPIED, REPRODUCED OR DISCLOSED EXCEPT AS AUTHORISED IN WRITING BY TAYLOR CONSTRUCTION PLANT LTD. © 2009

TAYLOR CONSTRUCTION PLANT LTD. RESERVE THE RIGHT TO CHANGE PRODUCTS & SPECIFICATIONS WITHOUT PRIOR NOTICE.

DWG No. TCP-4255-03 SD



UNCONTROLLED DOCUMENT
CHECK FOR AMENDMENTS BEFORE USE

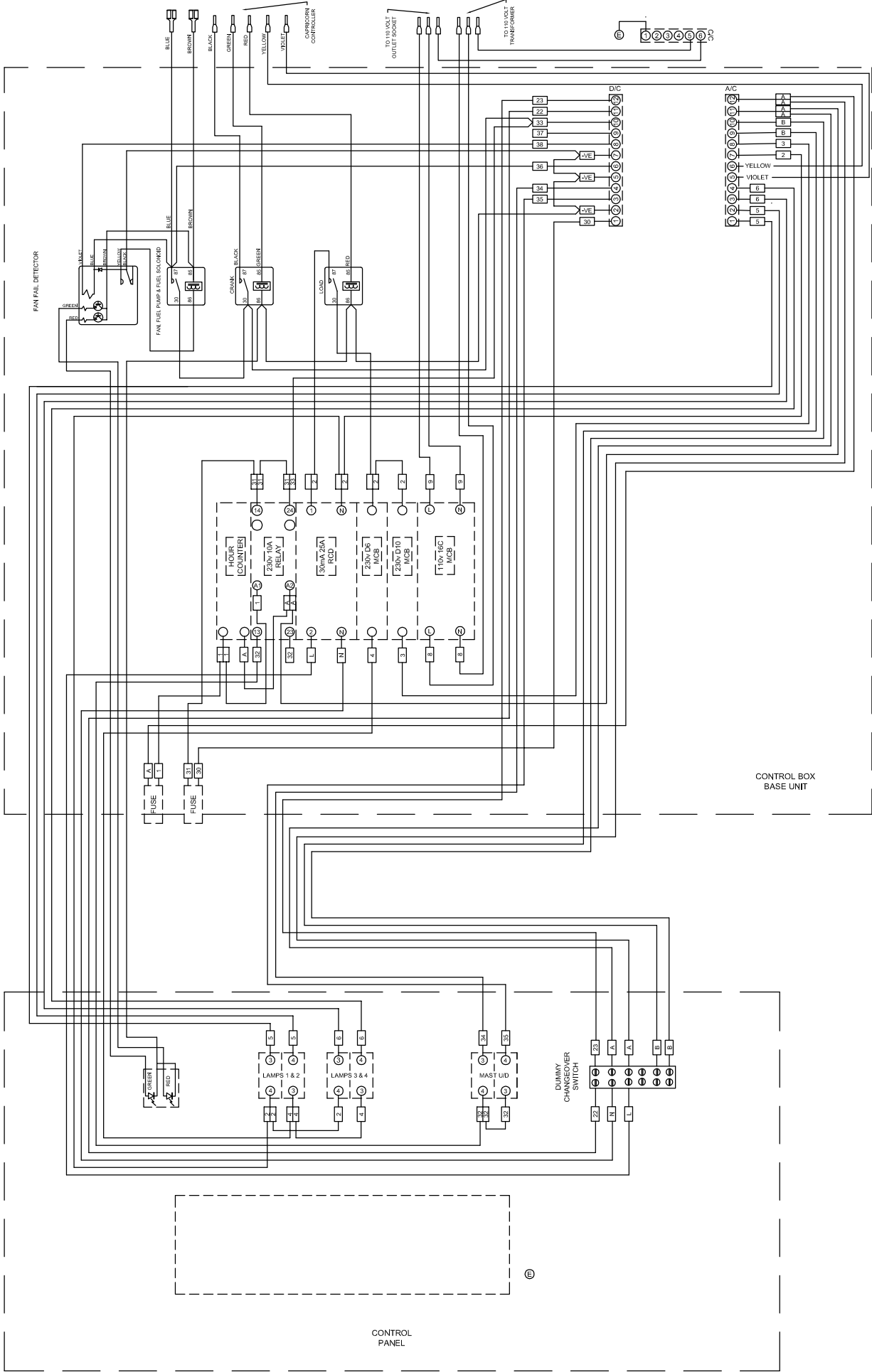
ISS	DESCRIPTION	CHKD	DATE	ISS	DATE	DESCRIPTION	CHKD	DATE
A	INITIAL ISSUE		07/11					

<p>TAYLOR CONSTRUCTION PLANT LTD. QUAYSIDE PARK, BATES ROAD, MALDON, ESSEX, CM9 5FA TEL: +441621 650777 FAX: +441621 943330 WWW.TCP.EU.COM</p>	<p>TITLE: SCHEMATIC, CAPRICORN CONTROL 110 V OUT. ECOLITE-T & P</p>
<p>DWG No. TCP-4255-03 SD</p>	<p>Sht. 1 of 1</p>

THIS DRAWING IS THE PROPERTY OF TAYLOR CONSTRUCTION PLANT LTD. AND MUST NOT BE COPIED, REPRODUCED OR DISCLOSED EXCEPT AS AUTHORIZED IN WRITING BY TAYLOR CONSTRUCTION PLANT LTD. © 2009

TAYLOR CONSTRUCTION PLANT LTD. RESERVE THE RIGHT TO CHANGE PRODUCTS & SPECIFICATIONS WITHOUT PRIOR NOTICE.

DWG No. TCP-4255-03 WS



UNCONTROLLED DOCUMENT
CHECK FOR AMENDMENTS BEFORE USE

USED INCONJUNCTION WITH TCP-4255-03 SA

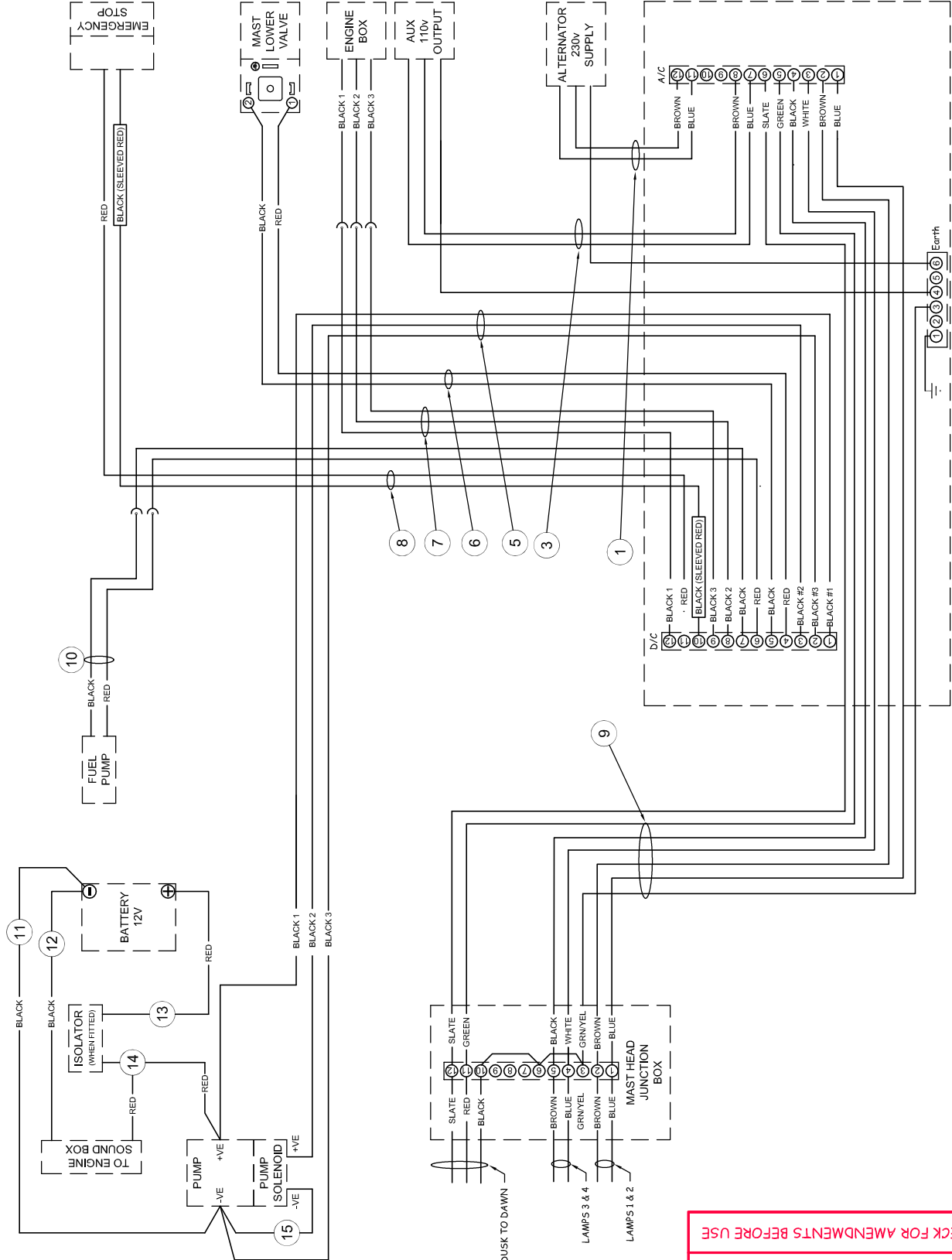
ISS		DESCRIPTION		DATE		ISS		DESCRIPTION		DATE		CHKD.		DATE	
A		INITIAL ISSUE		07/11											
B		SEE DCA 00646		08/11											
TITLE: ECOLITE CONTROL BOX INTERNAL CABLE IDENTIFICATION DWG No. TCP-4255-03 WS Sht. 1 of 2 DRN LSV CHKD APPD DATE 19.07.2011															

TAYLOR CONSTRUCTION PLANT LTD.
 QUAYSIDE PARK, BATES ROAD,
 MALDON, ESSEX, CM6 5FA
 TEL: +44 (0) 1621 550777 FAX: +44 (0) 1627 943390
 WWW.TCP.EU.COM

THIS DRAWING IS THE PROPERTY OF TAYLOR CONSTRUCTION PLANT LTD. AND MUST NOT BE COPIED, REPRODUCED OR DISCLOSED EXCEPT AS AUTHORISED IN WRITING BY TAYLOR CONSTRUCTION PLANT LTD. © 2009

TAYLOR CONSTRUCTION PLANT LTD. RESERVE THE RIGHT TO CHANGE PRODUCTS & SPECIFICATIONS WITHOUT PRIOR NOTICE.

DWG No. TCP-4255-03 WS



UNCONTROLLED DOCUMENT
CHECK FOR AMENDMENTS BEFORE USE

Item	Drwg No.	Shk. No.	Core Colours
1	2.5mm ² 3 CORE	71-0062	GE/YE-BN-BU
2	2.5mm ² 3 CORE	71-0062	GE/YE-BN-BU
3	2.5mm ² 3 CORE	71-0349	BK Numbered
4	2.5mm ² 3 CORE	71-0347	RD-BK
5**	1.5mm ² 2 CORE	71-0349	BK Numbered
6	1.5mm ² 2 CORE	71-0347	RD-BK
7**	1.5mm ² 3 CORE	71-0349	BK Numbered
8	1.5mm ² 2 CORE	71-0348	RD-BK
9	CURLY CORD	71-0273	-
10	1.5mm ² 2 CORE	71-0347	RD-BK
11	1.5mm ² 1 CORE	73-3073	BK
12	1.5mm ² 1 CORE	73-3071	BK
13	1.5mm ² 1 CORE	73-3070	RD
14	1.5mm ² 1 CORE	73-3072	RD
15	2.5mm ² 1 CORE	73-0031	RD
16	1.5mm ² 2 CORE	71-0347	RD-BK
17	1.5mm ² 2 CORE	71-0347	RD-BK

NOTE:
CABLE No. 5 & 7 ARE SPECIAL SIGNAL CABLE.
i.e. THE 3 INNER CORES ARE BLACK & NUMBERED

USED IN CONJUNCTION WITH TCP-4255-03 SA

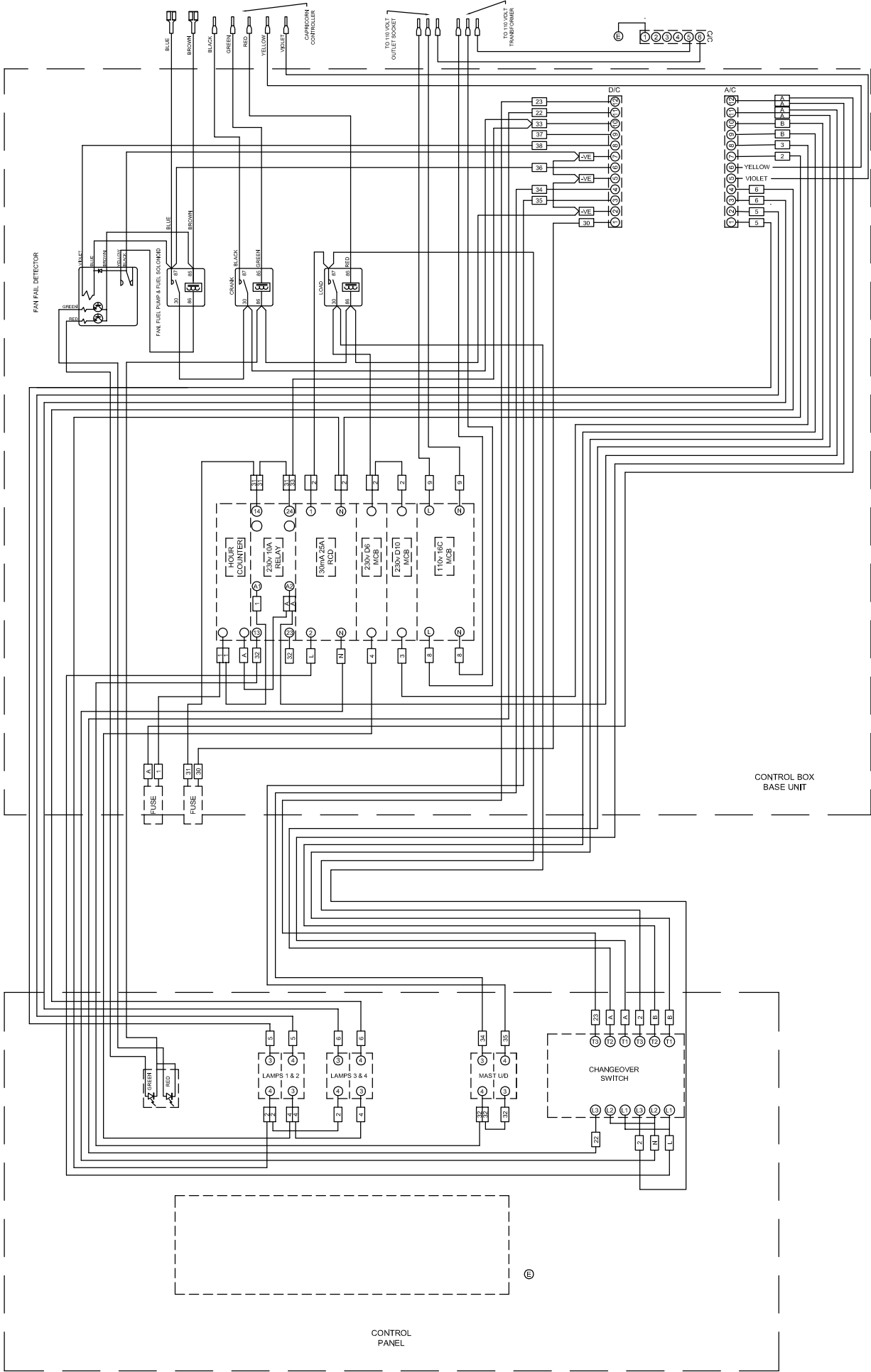
ISS		CHK'D		DATE		ISS		CHK'D		DATE		DESCRIPTION	
B	SEE DCA 00646			08/11									
A	INITIAL ISSUE			07/11									

TAYLOR CONSTRUCTION PLANT LTD. QUAYSIDE PARK, BATES ROAD, MILDON, ESSEX, CM9 5FA TEL+441621 850777 FAX+441621 843330 WWW.TCP.EU.COM		TITLE: ECOLITE CONTROL BOX EXTERNAL CABLE IDENTIFICATION		DRN LSV
DWG No. TCP-4255-03 WS		Sht. 2 of 2		CHK'D
				APP'D
				DATE
				18.07.2011

THIS DRAWING IS THE PROPERTY OF TAYLOR CONSTRUCTION PLANT LTD. AND MUST NOT BE COPIED REPRODUCED OR DISCLOSED EXCEPT AS AUTHORISED IN WRITING BY TAYLOR CONSTRUCTION PLANT LTD. © 2009

TAYLOR CONSTRUCTION PLANT LTD. RESERVE THE RIGHT TO CHANGE PRODUCTS & SPECIFICATIONS WITHOUT PRIOR NOTICE.

DWG No. TCP-4255-04 WS



UNCONTROLLED DOCUMENT
CHECK FOR AMENDMENTS BEFORE USE

USED INCONJUNCTION WITH TCP-4255-04 SA

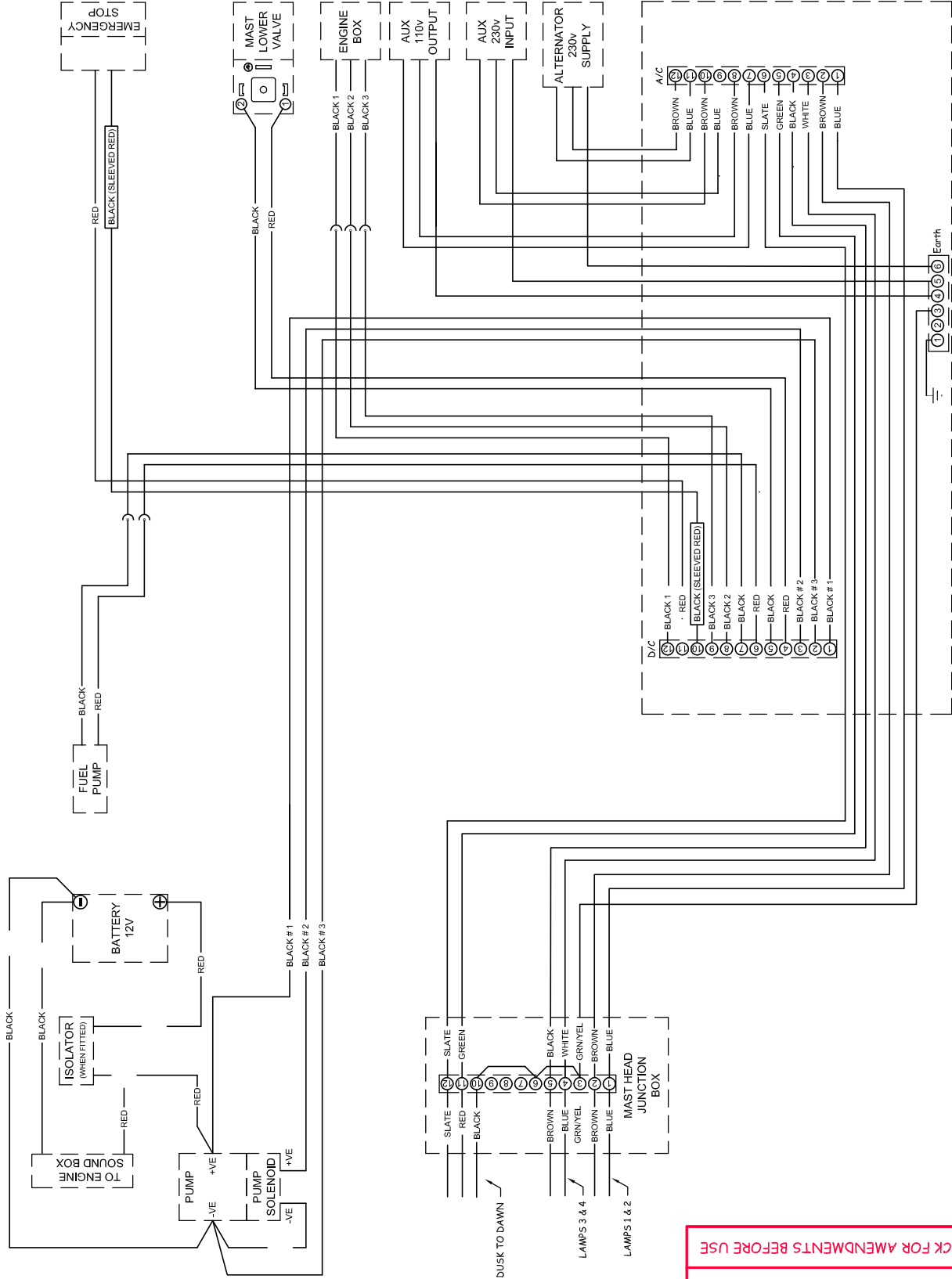
ISS	DESCRIPTION	CHK'D	DATE	ISS	DESCRIPTION	CHK'D	DATE	ISS	DESCRIPTION	CHK'D	DATE
B	SEE DCA 00646		08/11								
A	INITIAL ISSUE		07/11								

TAYLOR CONSTRUCTION PLANT LTD. QUAYSIDE PARK, BATES ROAD, MALDON, ESSEX, CM6 5FA TEL: +441621 650777 FAX: +441621 943390 WWW.TCP.EU.COM	TITLE: ECOLITE CONTROL BOX INTERNAL CABLE IDENTIFICATION	DRN LSV CHKD APPD DATE 19.07.2011
DWG No. TCP-4255-04 WS	Sht. 1 of 2	

THIS DRAWING IS THE PROPERTY OF TAYLOR CONSTRUCTION PLANT LTD. AND MUST NOT BE COPIED, REPRODUCED OR DISCLOSED EXCEPT AS AUTHORISED IN WRITING BY TAYLOR CONSTRUCTION PLANT LTD. © 2009

TAYLOR CONSTRUCTION PLANT LTD. RESERVE THE RIGHT TO CHANGE PRODUCTS & SPECIFICATIONS WITHOUT PRIOR NOTICE.

DWG No. TCP-4255-04 WS



UNCONTROLLED DOCUMENT
CHECK FOR AMENDMENTS BEFORE USE

NOTE:
CABLE No. 5 & 7 ARE SPECIAL SIGNAL CABLE.
i.e. THE 3 INNER CORES ARE BLACK & NUMBERED

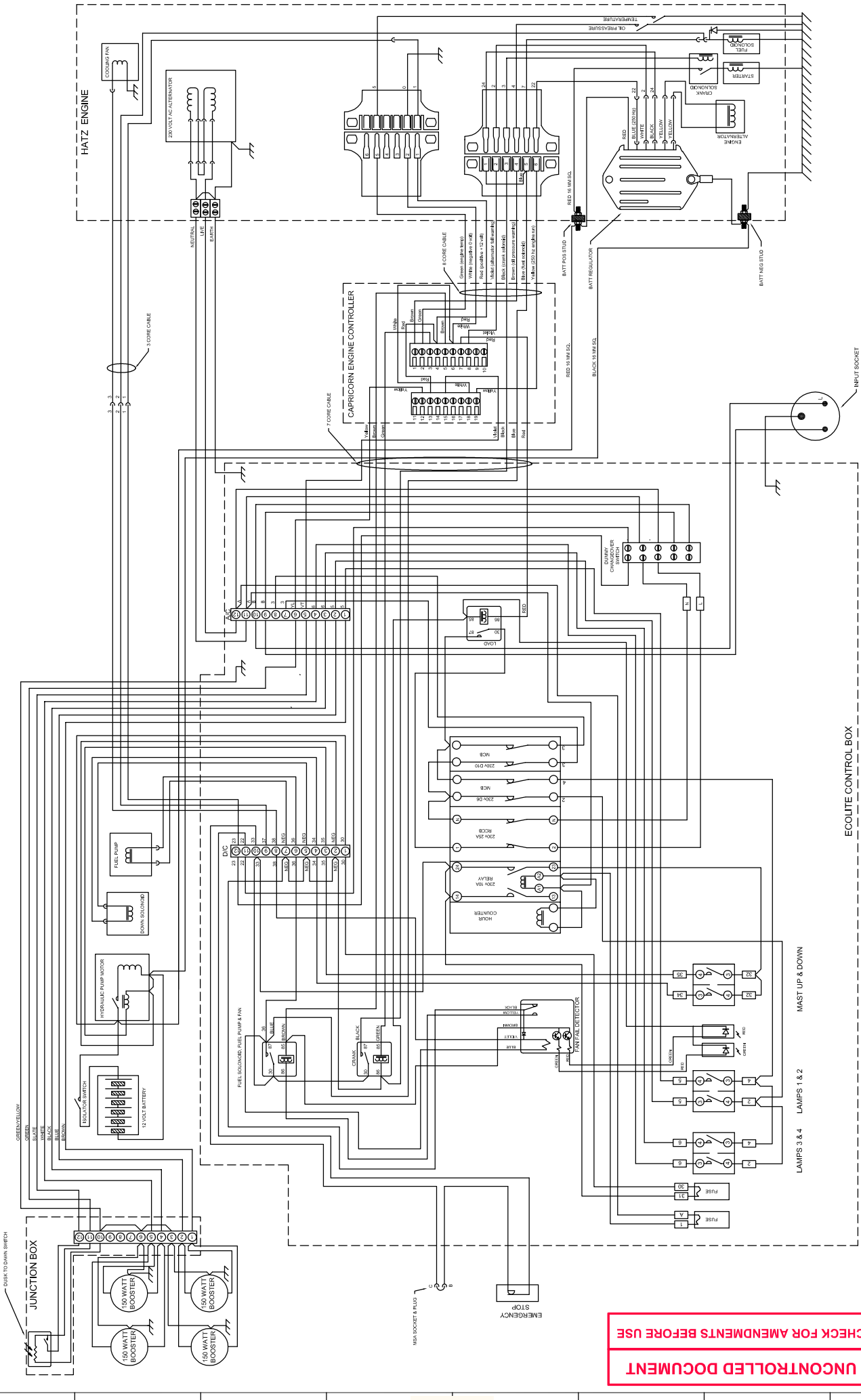
USED IN CONJUNCTION WITH TCP-4255-04 SA

ISS		DESCRIPTION	CHK'D	DATE	ISS	DESCRIPTION	CHK'D	DATE
A		INITIAL ISSUE		07/11				
B		SEE DCA 00646		08/11				
1								
TAYLOR CONSTRUCTION PLANT LTD. QUAYSIDE PARK, BATES ROAD, MALDON, ESSEX, CM9 5FA TEL+441621 850777 FAX+441621 843330 WWW.TCP.EU.COM								
TITLE: ECOLITE CONTROL BOX EXTERNAL CABLE IDENTIFICATION				DWG No. TCP-4255-04 WS		Sht. 2 of 2		DRN LSV
								CHK'D
								APP'D
								DATE
								20/07/2011

THIS DRAWING IS THE PROPERTY OF TAYLOR CONSTRUCTION PLANT LTD. AND MUST NOT BE COPIED, REPRODUCED OR DISCLOSED EXCEPT AS AUTHORISED IN WRITING BY TAYLOR CONSTRUCTION PLANT LTD. © 2009

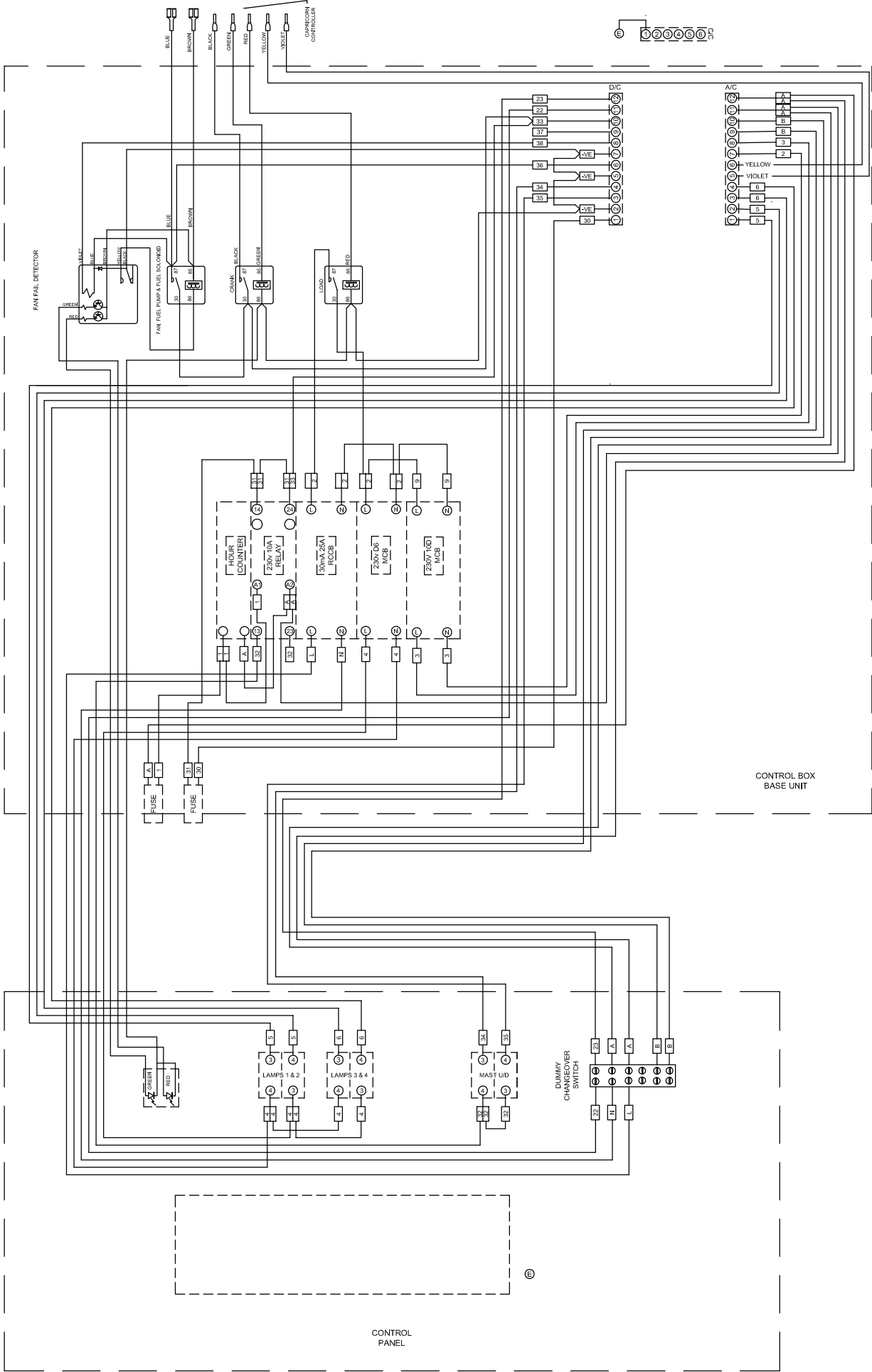
TAYLOR CONSTRUCTION PLANT LTD. RESERVE THE RIGHT TO CHANGE PRODUCTS & SPECIFICATIONS WITHOUT PRIOR NOTICE.

DWG No. TCP-4255-05 SD



UNCONTROLLED DOCUMENT
CHECK FOR AMENDMENTS BEFORE USE

ISS	DESCRIPTION	CHKD	DATE	ISS	DATE	CHKD	DATE	DESCRIPTION	D	E	F	G	H
A	INITIAL ISSUE		07/11										
<p>TAYLOR CONSTRUCTION PLANT LTD. QUAYSIDE PARK, BATES ROAD, MALDON, ESSEX, CM9 5FA TEL: +441621 650777 FAX: +441621 943330 WWW.TCP.EU.COM</p>													
<p>TITLE: SCHEMATIC, CAPRICORN CONTROL 230 V OUT DP/D. ECOLITE-T & P</p>										<p>DWG No. TCP-4255-05 SD</p>			
<p>DRN LSV</p>										<p>CHKD APPD</p>			
<p>DATE 1.07.2011</p>										<p>Sht. 1 of 1</p>			



UNCONTROLLED DOCUMENT
CHECK FOR AMENDMENTS BEFORE USE

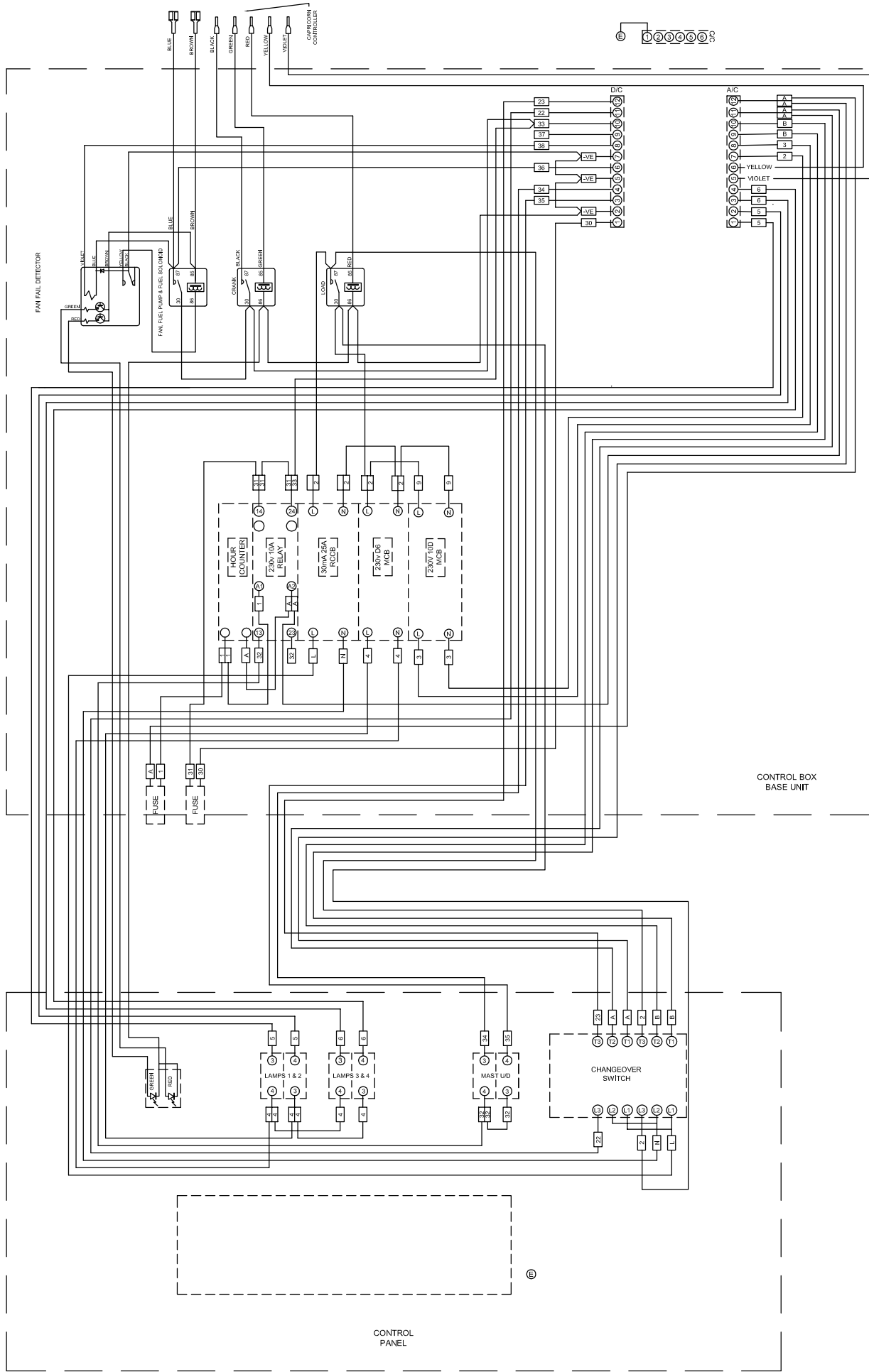
USED INCONJUNCTION WITH TCP-4255-05 SA

ISS		DESCRIPTION		A		R		C		D		F		F		G		H	
A		INITIAL ISSUE		07/11		DATE		ISS		DESCRIPTION		DATE		CHKD.		DATE		TITLE:	
B		SEE DCA 00646		08/11		DATE		ISS		DESCRIPTION		DATE		CHKD.		DATE		TITLE:	
DRN		LSV		08/11		DATE		ISS		DESCRIPTION		DATE		CHKD.		DATE		TITLE:	
APPD		DATE		07/11		DATE		ISS		DESCRIPTION		DATE		CHKD.		DATE		TITLE:	
DATE		19.07.2011		07/11		DATE		ISS		DESCRIPTION		DATE		CHKD.		DATE		TITLE:	
DATE		19.07.2011		07/11		DATE		ISS		DESCRIPTION		DATE		CHKD.		DATE		TITLE:	
DATE		19.07.2011		07/11		DATE		ISS		DESCRIPTION		DATE		CHKD.		DATE		TITLE:	
DATE		19.07.2011		07/11		DATE		ISS		DESCRIPTION		DATE		CHKD.		DATE		TITLE:	
DATE		19.07.2011		07/11		DATE		ISS		DESCRIPTION		DATE		CHKD.		DATE		TITLE:	
DATE		19.07.2011		07/11		DATE		ISS		DESCRIPTION		DATE		CHKD.		DATE		TITLE:	
DATE		19.07.2011		07/11		DATE		ISS		DESCRIPTION		DATE		CHKD.		DATE		TITLE:	
DATE		19.07.2011		07/11		DATE		ISS		DESCRIPTION		DATE		CHKD.		DATE		TITLE:	
DATE		19.07.2011		07/11		DATE		ISS		DESCRIPTION		DATE		CHKD.		DATE		TITLE:	
DATE		19.07.2011		07/11		DATE		ISS		DESCRIPTION		DATE		CHKD.		DATE		TITLE:	
DATE		19.07.2011		07/11		DATE		ISS		DESCRIPTION		DATE		CHKD.		DATE		TITLE:	
DATE		19.07.2011		07/11		DATE		ISS		DESCRIPTION		DATE		CHKD.		DATE		TITLE:	
DATE		19.07.2011		07/11		DATE		ISS		DESCRIPTION		DATE		CHKD.		DATE		TITLE:	
DATE		19.07.2011		07/11		DATE		ISS		DESCRIPTION		DATE		CHKD.		DATE		TITLE:	
DATE		19.07.2011		07/11		DATE		ISS		DESCRIPTION		DATE		CHKD.		DATE		TITLE:	
DATE		19.07.2011		07/11		DATE		ISS		DESCRIPTION		DATE		CHKD.		DATE		TITLE:	
DATE		19.07.2011		07/11		DATE		ISS		DESCRIPTION		DATE		CHKD.		DATE		TITLE:	
DATE		19.07.2011		07/11		DATE		ISS		DESCRIPTION		DATE		CHKD.		DATE		TITLE:	
DATE		19.07.2011		07/11		DATE		ISS		DESCRIPTION		DATE		CHKD.		DATE		TITLE:	
DATE		19.07.2011		07/11		DATE		ISS		DESCRIPTION		DATE		CHKD.		DATE		TITLE:	
DATE		19.07.2011		07/11		DATE		ISS		DESCRIPTION		DATE		CHKD.		DATE		TITLE:	
DATE		19.07.2011		07/11		DATE		ISS		DESCRIPTION		DATE		CHKD.		DATE		TITLE:	
DATE		19.07.2011		07/11		DATE		ISS		DESCRIPTION		DATE		CHKD.		DATE		TITLE:	
DATE		19.07.2011		07/11		DATE		ISS		DESCRIPTION		DATE		CHKD.		DATE		TITLE:	
DATE		19.07.2011		07/11		DATE		ISS		DESCRIPTION		DATE		CHKD.		DATE		TITLE:	
DATE		19.07.2011		07/11		DATE		ISS		DESCRIPTION		DATE		CHKD.		DATE		TITLE:	
DATE		19.07.2011		07/11		DATE		ISS		DESCRIPTION		DATE		CHKD.		DATE		TITLE:	
DATE		19.07.2011		07/11		DATE		ISS		DESCRIPTION		DATE		CHKD.		DATE		TITLE:	
DATE		19.07.2011		07/11		DATE		ISS		DESCRIPTION		DATE		CHKD.		DATE		TITLE:	
DATE		19.07.2011		07/11		DATE		ISS		DESCRIPTION		DATE		CHKD.		DATE		TITLE:	
DATE		19.07.2011		07/11		DATE		ISS		DESCRIPTION		DATE		CHKD.		DATE		TITLE:	
DATE		19.07.2011		07/11		DATE		ISS		DESCRIPTION		DATE		CHKD.		DATE		TITLE:	
DATE		19.07.2011		07/11		DATE		ISS		DESCRIPTION		DATE		CHKD.		DATE		TITLE:	
DATE		19.07.2011		07/11		DATE		ISS		DESCRIPTION		DATE		CHKD.		DATE		TITLE:	
DATE		19.07.2011		07/11		DATE		ISS		DESCRIPTION		DATE		CHKD.		DATE		TITLE:	
DATE		19.07.2011		07/11		DATE		ISS		DESCRIPTION		DATE		CHKD.		DATE		TITLE:	
DATE		19.07.2011		07/11		DATE		ISS		DESCRIPTION		DATE		CHKD.		DATE		TITLE:	
DATE		19.07.2011		07/11		DATE		ISS		DESCRIPTION		DATE		CHKD.		DATE		TITLE:	
DATE		19.07.2011		07/11		DATE		ISS		DESCRIPTION		DATE		CHKD.		DATE		TITLE:	
DATE		19.07.2011		07/11		DATE		ISS		DESCRIPTION		DATE		CHKD.		DATE		TITLE:	
DATE		19.07.2011		07/11		DATE		ISS		DESCRIPTION		DATE		CHKD.		DATE		TITLE:	
DATE		19.07.2011		07/11		DATE		ISS		DESCRIPTION		DATE		CHKD.		DATE		TITLE:	
DATE		19.07.2011		07/11		DATE		ISS		DESCRIPTION		DATE		CHKD.		DATE		TITLE:	
DATE		19.07.2011		07/11		DATE		ISS		DESCRIPTION		DATE		CHKD.		DATE		TITLE:	
DATE		19.07.2011		07/11		DATE		ISS		DESCRIPTION		DATE		CHKD.		DATE		TITLE:	
DATE		19.07.2011		07/11		DATE		ISS		DESCRIPTION		DATE		CHKD.		DATE		TITLE:	
DATE		19.07.2011		07/11		DATE		ISS		DESCRIPTION		DATE		CHKD.		DATE		TITLE:	
DATE		19.07.2011		07/11		DATE		ISS		DESCRIPTION		DATE		CHKD.		DATE		TITLE:	
DATE		19.07.2011		07/11		DATE		ISS		DESCRIPTION		DATE		CHKD.		DATE		TITLE:	
DATE		19.07.2011		07/11		DATE		ISS		DESCRIPTION		DATE		CHKD.		DATE		TITLE:	
DATE		19.07.2011		07/11		DATE		ISS		DESCRIPTION		DATE		CHKD.		DATE		TITLE:	
DATE		19.07.2011		07/11		DATE		ISS		DESCRIPTION		DATE		CHKD.		DATE		TITLE:	
DATE		19.07.2011		07/11		DATE		ISS		DESCRIPTION		DATE		CHKD.		DATE		TITLE:	
DATE		19.07.2011		07/11		DATE		ISS		DESCRIPTION		DATE		CHKD.		DATE		TITLE:	
DATE		19.07.2011		07/11		DATE		ISS		DESCRIPTION		DATE		CHKD.		DATE		TITLE:	
DATE		19.07.2011		07/11		DATE		ISS		DESCRIPTION		DATE		CHKD.		DATE		TITLE:	
DATE		19.07.2011		07/11		DATE		ISS		DESCRIPTION		DATE		CHKD.		DATE		TITLE:	
DATE		19.07.2011		07/11		DATE		ISS		DESCRIPTION		DATE		CHKD.		DATE		TITLE:	
DATE		19.07.2011		07/11		DATE		ISS		DESCRIPTION		DATE		CHKD.		DATE		TITLE:	
DATE		19.07.2011		07/11		DATE		ISS		DESCRIPTION		DATE		CHKD.		DATE		TITLE:	
DATE		19.07.2011		07/11		DATE		ISS		DESCRIPTION		DATE		CHKD.		DATE		TITLE:	
DATE		19.07.2011		07/11		DATE		ISS		DESCRIPTION		DATE		CHKD.		DATE		TITLE:	
DATE		19.07.2011		07/11		DATE		ISS		DESCRIPTION		DATE		CHKD.		DATE		TITLE:	
DATE		19.07.2011		07/11		DATE		ISS		DESCRIPTION		DATE		CHKD.		DATE		TITLE:	
DATE		19.07.2011		07/11		DATE		ISS		DESCRIPTION		DATE		CHKD.		DATE		TITLE:	
DATE		19.07.2011		07/11		DATE		ISS		DESCRIPTION		DATE		CHKD.		DATE		TITLE:	
DATE		19.07.2011		07/11		DATE		ISS		DESCRIPTION		DATE		CHKD.		DATE		TITLE:	
DATE		19.07.2011		07/11		DATE		ISS		DESCRIPTION		DATE		CHKD.		DATE		TITLE:	
DATE		19.07.2011		07/11		DATE		ISS		DESCRIPTION		DATE		CHKD.		DATE		TITLE:	
DATE		19.07.2011		07/11		DATE		ISS		DESCRIPTION		DATE		CHKD.		DATE		TITLE:	
DATE		19.07.2011		07/11		DATE		ISS		DESCRIPTION		DATE		CHKD.		DATE		TITLE:	
DATE		19.07.2011		07/11		DATE		ISS		DESCRIPTION		DATE		CHKD.		DATE		TITLE:	
DATE		19.07.2011		07/11		DATE		ISS		DESCRIPTION		DATE		CHKD.		DATE		TITLE:	
DATE		19.07.2011		07/11		DATE		ISS		DESCRIPTION		DATE		CHKD.		DATE		TITLE:	
DATE		19.07.2011		07/11		DATE		ISS		DESCRIPTION		DATE		CHKD.		DATE		TITLE:	
DATE		19.07.2011		07/11		DATE		ISS		DESCRIPTION		DATE		CHKD.		DATE		TITLE:	
DATE		19.07.2011		07/11		DATE		ISS		DESCRIPTION		DATE		CHKD.		DATE		TITLE:	
DATE		19.07.2011		07/11		DATE		ISS		DESCRIPTION		DATE		CHKD.		DATE		TITLE:	
DATE		19.07.2011		07/11		DATE		ISS		DESCRIPTION		DATE		CHKD.		DATE		TITLE:	
DATE		19.07.2011		07/11		DATE		ISS		DESCRIPTION		DATE		CHKD.		DATE		TITLE:	
DATE		19.07.2011		07/11		DATE		ISS		DESCRIPTION		DATE		CHKD.		DATE		TITLE:	
DATE		19.07.2011		07/11		DATE		ISS		DESCRIPTION		DATE		CHKD.		DATE		TITLE:	
DATE		19.07.2011		07/11		DATE		ISS		DESCRIPTION		DATE		CHKD.		DATE		TITLE:	
DATE		19.07.2011		07/11		DATE		ISS		DESCRIPTION		DATE		CHKD.		DATE		TITLE:	
DATE		19.07.2011		07/11		DATE		ISS		DESCRIPTION		DATE		CHKD.		DATE		TITLE:	
DATE		19.07.2011		07/11		DATE		ISS		DESCRIPTION		DATE		CHKD.		DATE		TITLE:	
DATE		19.07.2011		07/11		DATE		ISS		DESCRIPTION		DATE		CHKD.		DATE		TITLE:	
DATE		19.07.2011		07/11		DATE		ISS		DESCRIPTION		DATE		CHKD.		DATE		TITLE:	
DATE		19.07.2011		07/11		DATE		ISS		DESCRIPTION		DATE		CHKD.		DATE		TITLE:	
DATE		19.07.2011		07/11		DATE		ISS		DESCRIPTION		DATE		CHKD.		DATE		TITLE:	
DATE		19.07.2011		07/11		DATE		ISS		DESCRIPTION		DATE		CHKD.		DATE		TITLE:	
DATE		19.07.2011		07/11		DATE		ISS		DESCRIPTION		DATE							

THIS DRAWING IS THE PROPERTY OF TAYLOR CONSTRUCTION PLANT LTD. AND MUST NOT BE COPIED, REPRODUCED OR DISCLOSED EXCEPT AS AUTHORISED IN WRITING BY TAYLOR CONSTRUCTION PLANT LTD. © 2009

TAYLOR CONSTRUCTION PLANT LTD. RESERVE THE RIGHT TO CHANGE PRODUCTS & SPECIFICATIONS WITHOUT PRIOR NOTICE.

DWG No. TCP-4255-06 WS



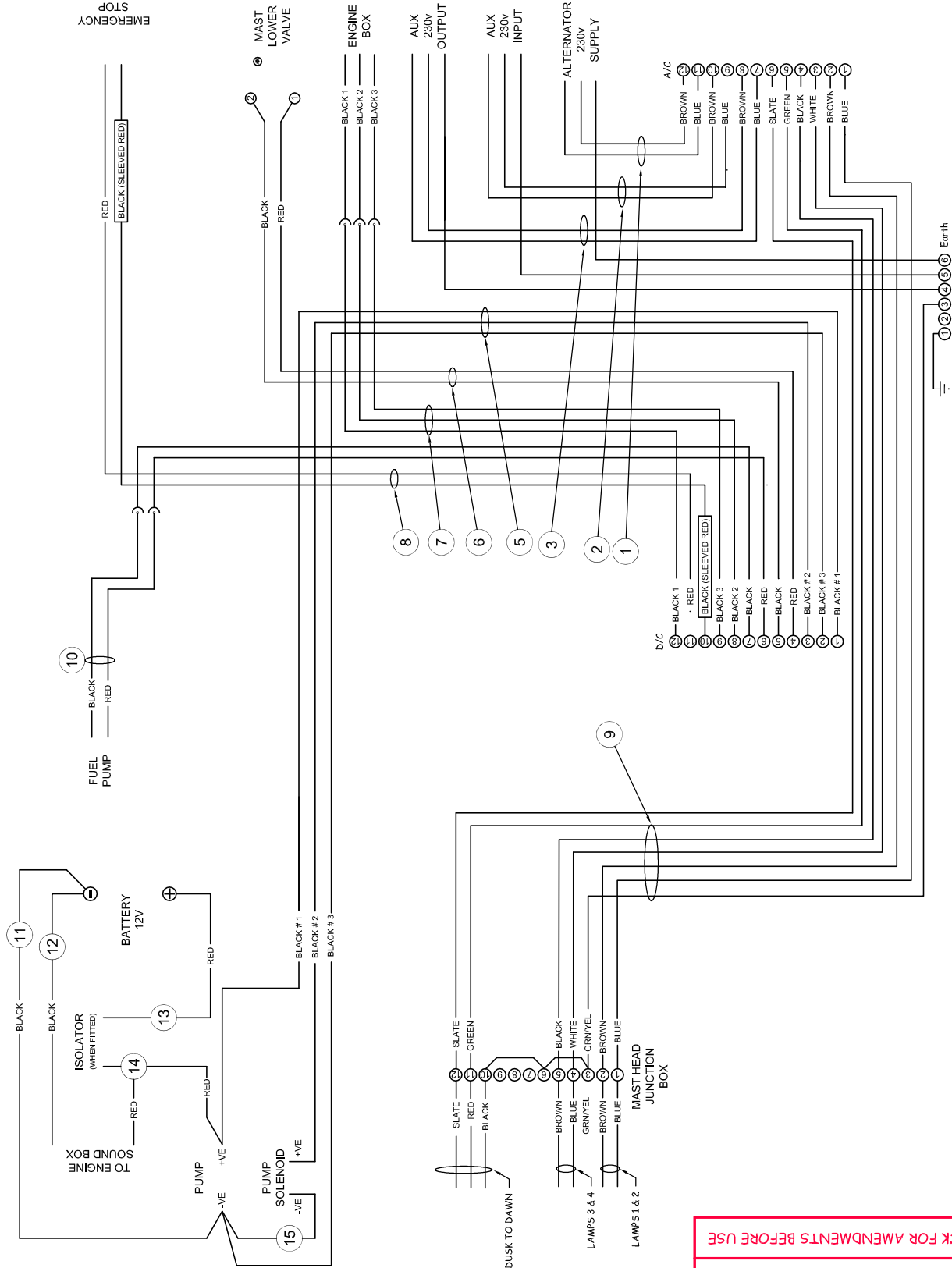
UNCONTROLLED DOCUMENT
CHECK FOR AMENDMENTS BEFORE USE

USED INCONJUNCTION WITH TCP-4255-06 SA

ISS	DESCRIPTION	CHKD	DATE	ISS	DESCRIPTION	CHKD	DATE	DRN	LSV
B	SEE DCA 00646		08/11						
A	INITIAL ISSUE		07/11						
								TITLE: ECOLITE CONTROL BOX INTERNAL CABLE IDENTIFICATION	
								DWG No. TCP-4255-06 WS	
								Sht. 1 of 2	
								DATE 19.07.2011	
								APPD	
								CHKD	
								DRN LSV	

THIS DRAWING IS THE PROPERTY OF TAYLOR CONSTRUCTION PLANT LTD. AND MUST NOT BE COPIED, REPRODUCED OR DISCLOSED EXCEPT AS AUTHORISED IN WRITING BY TAYLOR CONSTRUCTION PLANT LTD. © 2009

TAYLOR CONSTRUCTION PLANT LTD. RESERVE THE RIGHT TO CHANGE PRODUCTS & SPECIFICATIONS WITHOUT PRIOR NOTICE.



NOTE:
CABLE NO. 5 & 7 ARE SPECIAL SIGNAL CABLE.
i.e. THE 3 INNER CORES ARE BLACK & NUMBERED

Item	Drwg No.	Shk. No.	Core Colours
1	2.5mm ² 3 CORE	71-0062	GE/YE-BN-BU
2	2.5mm ² 3 CORE	71-0062	GE/YE-BN-BU
3	2.5mm ² 3 CORE	71-0062	GE/YE-BN-BU
4	N/A		
5**	2.5mm ² 3 CORE	71-0346	BK Numbered
6	1.5mm ² 2 CORE	71-0347	RD-BK
7**	1.5mm ² 3 CORE	71-0349	BK Numbered
8	2.5mm ² 2 CORE	71-0348	RD-BK
9	CURLY CORD	71-0273	-
10	1.5mm ² 2 CORE	71-0347	RD-BK
11	1.5mm ² 1 CORE	73-3073	BK
12	1.5mm ² 1 CORE	73-3071	BK
13	1.5mm ² 1 CORE	73-3070	RD
14	1.5mm ² 1 CORE	73-3072	RD
15	2.5mm ² 1 CORE	73-0031	RD
16	1.5mm ² 2 CORE	71-0347	RD-BK
17	1.5mm ² 2 CORE	71-0347	RD-BK

USED IN CONJUNCTION WITH TCP-4255-06 SA

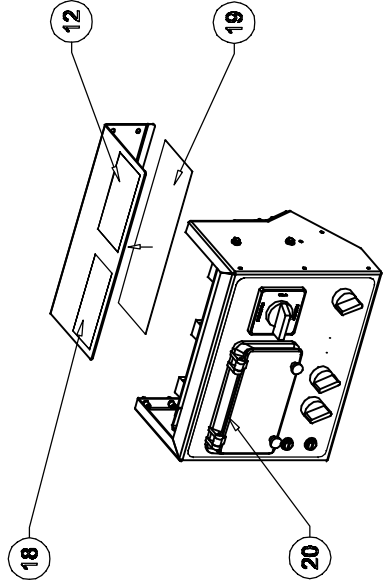
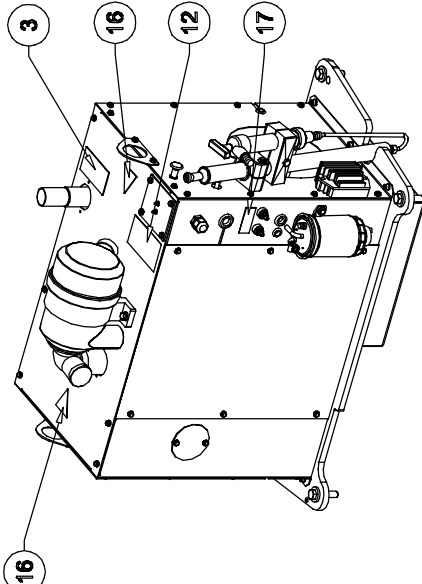
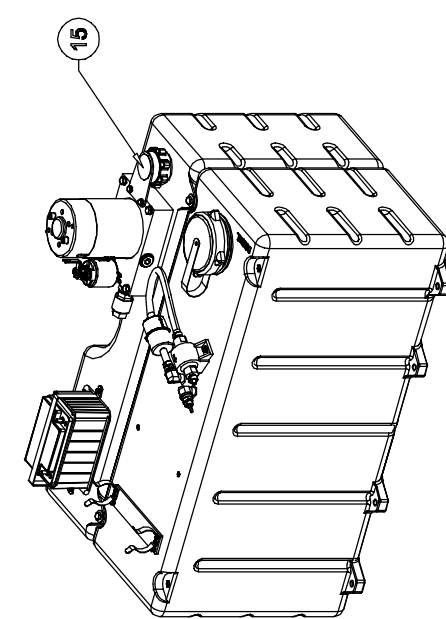
ISS		CHK'D		DATE		DESCRIPTION	
B	SEE DCA 00646			08/11			
A	INITIAL ISSUE			07/11			

TAYLOR CONSTRUCTION PLANT LTD.		TAYLOR CONSTRUCTION PLANT LTD.		TAYLOR CONSTRUCTION PLANT LTD.	
QUAYSIDE PARK, BATES ROAD, MALDON, ESSEX, CM9 5FA		QUAYSIDE PARK, BATES ROAD, MALDON, ESSEX, CM9 5FA		QUAYSIDE PARK, BATES ROAD, MALDON, ESSEX, CM9 5FA	
TEL+441621 850777 FAX+441621 843330		TEL+441621 850777 FAX+441621 843330		TEL+441621 850777 FAX+441621 843330	
WWW.TCP.EU.COM		WWW.TCP.EU.COM		WWW.TCP.EU.COM	

TITLE: ECOLITE CONTROL BOX EXTERNAL CABLE IDENTIFICATION		DWG No. TCP-4255-06 WS		Sht. 2 of 2	
DRN	LSV	CHK'D		DATE	20/07/2011
APP'D		DATE			

ECOLITE-P V1
STANDARD DECALS

THIRD ANGLE PROJECTION



ITEM	ENGLISH		DESCRIPTION	QTY	DUTCH		FRENCH		GERMAN	
	DRG No.	PART/KIT No.			DRG No.	PART/KIT No.	DRG No.	PART/KIT No.	DRG No.	PART/KIT No.
1	TCP-4131	80-4116	TCP VERTICAL LOGO	4	TCP-4131	80-4116	TCP-4131	80-4116	TCP-4131	80-4116
2	TCP-1082	80-0032	SHIPPING TIE-DOWN	4	TCP-1082-02	80-0032-02	TCP-1082-03	80-0032-03	TCP-1082-04	80-0032-04
3	TCP-0008	80-0004	WARNING HOT SURFACE	2	TCP-0008-02	80-0004-02	TCP-0008-03	80-0004-03	TCP-0008-04	80-0004-04
4	TCP-3365	80-3365	86 db NOISE	1	TCP-3365	80-3365	TCP-3365	80-3365	TCP-3365	80-3365
5	TCP-3007	80-0007	CONFORMANCE LOGO	1	TCP-3007	80-0007	TCP-3007	80-0007	TCP-3007	80-0007
6	TCP-1658	80-1658	EMERGENCY STOP (Round)	1	TCP-1658-02	80-1658-02	TCP-1658-03	80-1658-03	TCP-1658-04	80-1658-04
7	TCP-2306	80-0345	OPERATING PROCEDURES	1	TCP-2306-02	80-0345-02	TCP-2306-03	80-0345-03	TCP-2306-04	80-0345-04
8	TCP-4155	80-4155	MAST ROTATION LOCK	1	TCP-4155-02	80-4155-02	TCP-4155-03	80-4155-03	TCP-4155-04	80-4155-04
9	TCP-3005	80-3005	FALLING & OVERHEAD HAZARD	2	TCP-3005-02	80-3005-02	TCP-3005-03	80-3005-03	TCP-3005-04	80-3005-04
10	TCP-2429	80-2429	MAST ROTATION INDICATOR	1	TCP-2429	80-2429	TCP-2429	80-2429	TCP-2429	80-2429
11	TCP-1085	80-0035	LIFTING EYE	4	TCP-1085	80-0035	TCP-1085	80-0035	TCP-1085	80-0035
12	TCP-1083	80-0043	DANGER HAZARDOUS VOLTAGE	3	TCP-1083-02	80-0043-02	TCP-1083-03	80-0043-03	TCP-1083-04	80-0043-04
13	TCP-1091	80-0041	LAMP WARNING (Broken Glass)	4	TCP-1091-02	80-0041-02	TCP-1091-03	80-0041-03	TCP-1091-04	80-0041-04
14	TCP-1080	80-0040	LAMP WARNING (Hot Surface)	4	TCP-1080-02	80-0040-02	TCP-1080-03	80-0040-03	TCP-1080-04	80-0040-04
15	TCP-3201	80-3201	ECO JUICE	1	TCP-3201-02	80-3201-02	TCP-3201-03	80-3201-03	TCP-3201-04	80-3201-04
16	TCP-3366	80-3366	AUTOSTART WARNING	2	TCP-3366	80-3366	TCP-3366	80-3366	TCP-3366	80-3366
17	TCP-2868	80-2868	12V DC	1	TCP-2868	80-2868	TCP-2868	80-2868	TCP-2868	80-2868
18	TCP-1086	80-0048	RCD INFORMATION, TEST	1	TCP-1086-02	80-0048-02	TCP-1086-03	80-0048-03	TCP-1086-04	80-0048-04
19	TCP-3006	80-3006	TERMINAL INFORMATION	1	TCP-3006-02	80-3006-02	TCP-3006-03	80-3006-03	TCP-3006-04	80-3006-04
20	TCP-2321-02	80-0348	RCD, MCB & RELAY	1	TCP-2321-04	80-0348-02	TCP-2321-05	80-0348-03	TCP-2321-06	80-0348-04

NOTE:
 COMPLETE SET OF ENGLISH DECALS 99-4118-01
 COMPLETE SET OF DUTCH DECALS 99-4118-02
 COMPLETE SET OF FRENCH DECALS 99-4118-03
 COMPLETE SET OF GERMAN DECALS 99-4118-04

ITEMS 2 AND 6 USE LOW-SURFACEENERGY ADHESIVE.

UNCONTROLLED DOCUMENT
 CHECK FOR AMENDMENTS BEFORE USE

MATERIAL		DIMENSIONS IN mm		TAYLOR CONSTRUCTION PLANT LTD.		TITLE: DECAL ASSY POSITIONS, BASIC UNIT		DRN	GAN
FINISH		SCALE 1:10	TOL'S: GENERAL ±0.25	TAYLOR CONSTRUCTION PLANT LTD.		ECOLITE-P		CHKD	
HOLE CTG&POSING		HOLE Ø ±0.2	ANGLES ±0.25°	CLAYBIDE PARK, BATES ROAD, MALDON, ESSEX, CM8 5FA		DWG No. TCP-4118 SA		SKT No.	DATE
HOLE Ø				TEL: +44(0)1629 50777 FAX: +44(0)1629 50880		Sht. 2 of 2		See Note	04.06.2010
HOLE Ø				WWW.TCP.EU.COM					

