



Lighting Tower

Parts Manual

Models v1 to v4

TCP-3168 Iss. M; DCA 00873
Issued September 2019

Taylor Construction Plant Ltd.
Quayside Industrial Park, Bates
Road, Maldon, Essex, CM9 5FA
Tel:+44 (0)1621 850777
Fax:+44 (0)1621 843330
mail@tcp.eu.com
www.tcp.eu.com

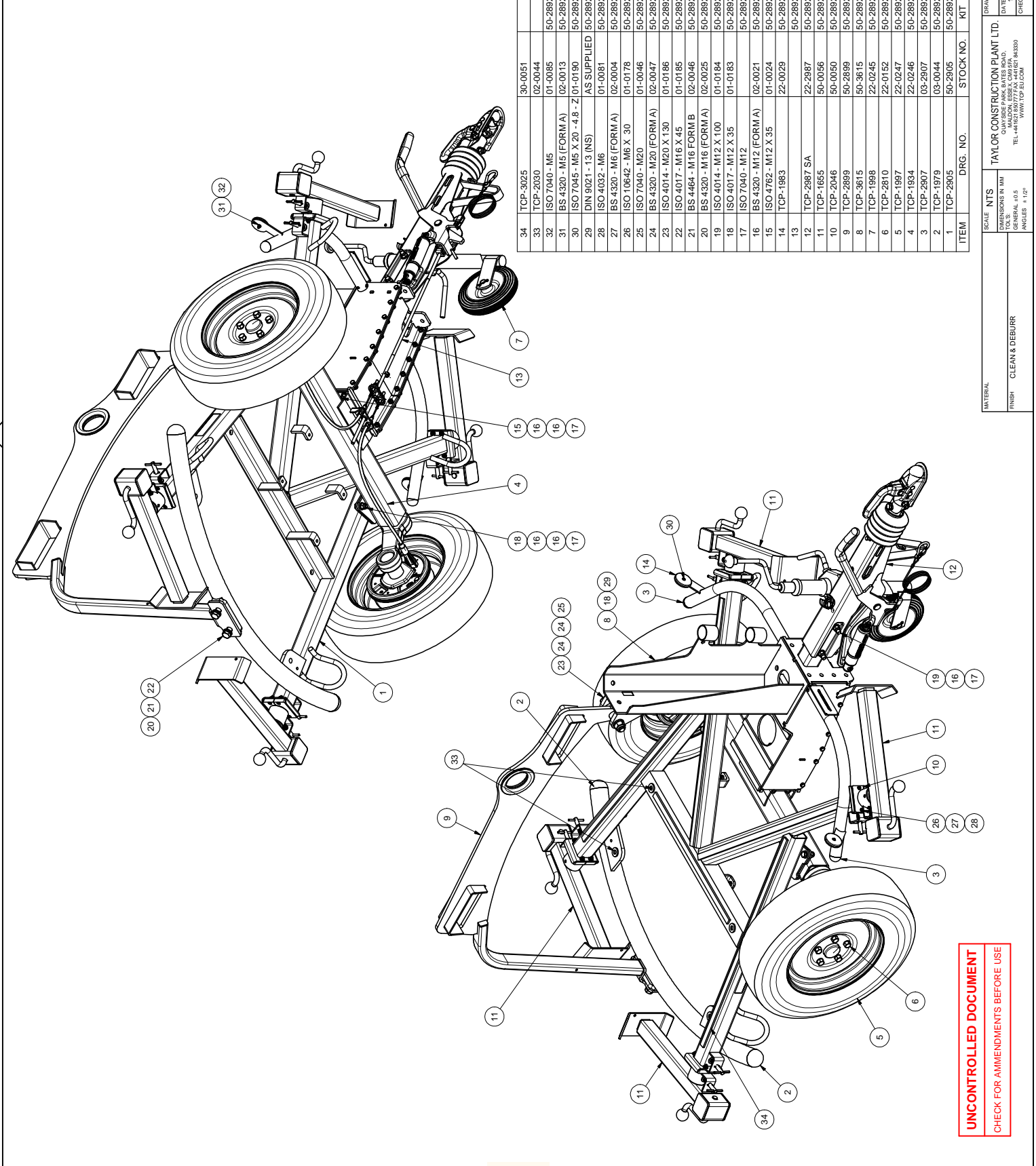


INDEX

Versions – 1 to 4

Section	Page No.
Chassis	3
Upper Body	11
Lower Body	14
Mecc-Alte Alternator with Engine V1	15
Sincro Alternator with Engine V2	19
Sincro Alternator with 2012 Engine V3	25
Exhaust V1	29
2 Rod Mast V1	35
3 Rod Mast V2	37
3 Rod Profile Mast V3	39
Mast Base Support	41
Mast Clamp V1	43
Mast Clamp V2	45
Ø300 x 150w Lamps V1	47
Polaris x 150w Lamps V2	51
Fuel Tank V1	55
Fuel Tank V2	57
Hydraulics V1	59
Hydraulics V2	63
Hydraulics V3	67
Hydraulic Schematic	71
Battery	73
Earth Spike	74
Control Box Mounts	75
Control Box V1	77
Schematics & Terminations	85
Control Box V2	125
Schematics & Terminations	133
Decals & Options	153
110V Transformer V1	157
110V Transformer V2	159
Interior Light V1	161
Interior Light V2	163
Mud Flap Kit V1	165

ISS	DESCRIPTION	DATE
A	INITIAL ISSUE	10/09/2008
B	SEE DCA 00408	30/06/2009
C	SEE DCA 00433	22/10/2009
D	SEE DCA 00637	24/06/2011



ITEM	DRG. NO.	STOCK NO.	KIT	DESCRIPTION	QTY
34	TCP-3025	30-0051		FOAM STRIP 19 X 6	3.8M
33	TCP-2030	02-0044		WASHER M12X30X4	4
32	ISO 7040 - M5	01-0085		HEX NUT WITH TORQUE PART	2
31	BS 4320 - M5 (FORM A)	02-0013		50-2892 BRIGHT METAL WASHER - METRIC SERIES	2
30	ISO 7045 - M5 X 20 - 4.8 - Z	01-0190		50-2892 PAN HEAD SCREW - GRADE A	2
29	DIN 9021 - 13 (NS)	AS SUPPLIED		50-2892 WASHER	2
28	ISO 4032 - M6	01-0081		50-2892 HEXAGON FULL NUT	16
27	BS 4320 - M6 (FORM A)	02-0004		50-2892 BRIGHT METAL WASHER - METRIC SERIES	16
26	ISO 10642 - M6 X 30	01-0178		50-2892 HEXAGON SOCKET COUNTERSUNK HEAD SCREW	16
25	ISO 7040 - M20	01-0046		50-2892 HEX NUT WITH TORQUE PART	2
24	BS 4320 - M20 (FORM A)	02-0047		50-2892 BRIGHT METAL WASHER - METRIC SERIES	2
23	ISO 4014 - M20 X 1.30	01-0186		50-2892 HEXAGON HEAD BOLT - PRODUCT GRADES A AND B	2
22	ISO 4017 - M16 X 45	01-0185		50-2892 HEXAGON HEAD SCREW	2
21	BS 4464 - M16 (FORM B)	02-0046		50-2892 SPRING WASHER - METRIC SERIES	2
20	BS 4320 - M16 (FORM A)	02-0025		50-2892 BRIGHT METAL WASHER - METRIC SERIES	2
19	ISO 4014 - M12 X 100	01-0184		50-2892 HEXAGON HEAD BOLT - PRODUCT GRADES A AND B	2
18	ISO 4017 - M12 X 35	01-0183		50-2892 HEXAGON HEAD SCREW	6
17	ISO 7040 - M12	02-0021		50-2892 HEX NUT WITH TORQUE PART 10.9 GRADE ONLY	10
16	BS 4320 - M12 (FORM A)	02-0024		50-2892 BRIGHT METAL WASHER - METRIC SERIES	20
15	ISO 4762 - M12 X 35	01-0024		50-2892 HEXAGON SOCKET HEAD CAP SCREW 10.9 GRADE ONLY	4
14	TCP-1983	22-0029		50-2892 REFLECTOR - WHITE	2
13	TCP-2887 SA	22-2987		50-2892 BRAKE ROD (KNOTT) ECOLITE	1
12	TCP-1655	50-0056		50-2892 60MM COUPLING 1000 KG - PRESSED STEEL HEAD	1
11	TCP-2046	50-0050		50-2892 JACK LEG ASSY	4
10	TCP-2899	50-2899		50-2892 JACK LEG STOP	8
9	TCP-3615	50-3615		50-2892 LIFTING FRAME	1
8	TCP-1998	22-0245		50-2892 CHASSIS FRONT - ADJUSTABLE HITCH	1
7	TCP-2810	22-0152		50-2892 LOCKEY WHEEL	1
6	TCP-1997	22-0247		50-2892 WHEEL BOLT	10
5	TCP-1834	22-0246		50-2892 165R13 WHEEL & TYRE ASSY	2
4	TCP-2907	03-2907		50-2892 ECOLITE AXLE ASSY 5 X 112	1
3	TCP-1979	03-0044		50-2892 38MM SPHERICAL BLANKING PLUG	2
2	TCP-2905	50-2905		50-2892 60MM SPHERICAL BLANKING PLUG	2
1				50-2892 CHASSIS WELDMENT	1

UNCONTROLLED DOCUMENT
CHECK FOR AMENDMENTS BEFORE USE

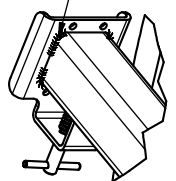
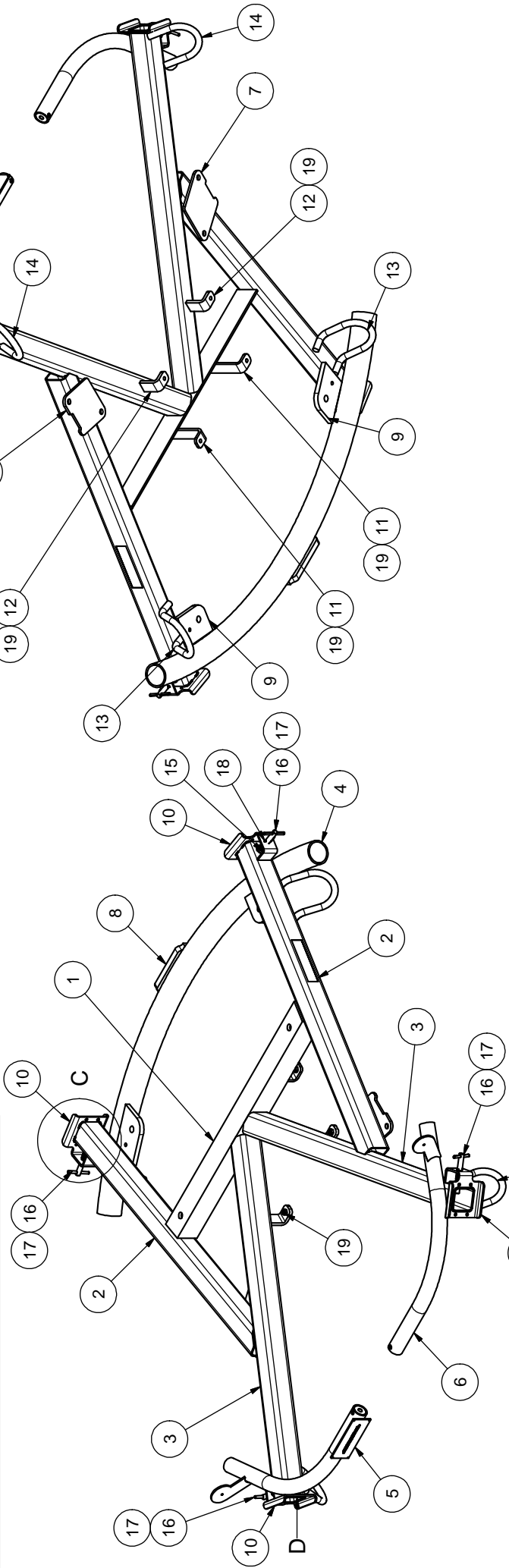
MATERIAL: TAYLOR CONSTRUCTION PLANT LTD.
SCALE: NTS
DIMENSIONS IN MM
FINISH: CLEAN & DEBURR
GENERAL: 1:0.5
PROJETS: 1:0.2

DRWING: RC
DATE: 10/09/2008
CHECKED:

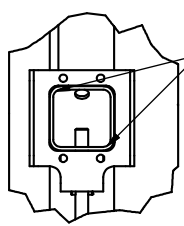
TITLE: ROLLING CHASSIS ASSEMBLY - 50MM PRESSED STEEL HEAD
DRG. NO. TCP-2996 SA
SHEET 1 OF 1
STOCK NO. SA-2996

THIRD ANGLE
A2

ISS	DESCRIPTION	DATE
A	INITIAL ISSUE	18/07/2006
B	SEE DCA 00284	18/08/2008
C	SEE DCA 00287	26/08/2008
D	DCA 00297	16/09/2008
E	DCA 00607	31/03/2011



C (1:5)



D (1:5)

- NOTES:
1. FULLY WELDED CONSTRUCTION.
 2. ALL WELDED NUTS TO BE FREE OF GALVANISING ZINC.
 3. POST GALVANISING THE INSIDE OF TUBE 2 & 3 MUST BE CLEAR OF ANY SNAGS, WEATHER BLOW THROUGH FROM THE WELDING OR GALVANISING.

ITEM	DRG. NO.	STOCK NO.	DESCRIPTION	QTY
19	ISO 4032 - M8		HEXAGON FULL NUT	4
18	ISO 13337 - 3 X 20		SPRING-TYPE STRAIGHT PINS - SLOTTED, LIGHT DUTY	4
17	BS 4320 - M12 (FORM A)	02-0021	BRIGHT METAL WASHER - METRIC SERIES	4
16	TCP-2120		LOCATING PIN	4
15	TCP-2124		SPRING	4
14	TCP-1859		TIE DOWN EYE	2
13	TCP-1631		TIE DOWN EYE	2
12	TCP-2947		SILENCER BRACKET FRONT	2
11	TCP-2948		SILENCER BRACKET REAR	2
10	TCP 1846		STIFFENER	4
9	TCP-2973		REAR MOUNTING PLATE	2
8	TCP 1629		LIFTING FRAME MOUNTING PLATE	1
7	TCP 1628		AXLE CHASSIS MOUNTING PLATE	2
6	TCP-2902		FRONT BUMPER - RH	1
5	TCP-2903		FRONT BUMPER - LH	1
4	TCP-1627		REAR BUMPER	1
3	TCP-1626		60X60X3.2 HOLLOW SECTION	2
2	TCP-1625		60X60X3.2 HOLLOW SECTION	2
1	TCP 2972		60X60X8 ANGLE STEEL	1

TITLE		CHASSIS WELDMENT	
DRAWN	RC	STOCK NO.	TCP-2905
DATE	18/07/2006	SHEET 1	STOCK NO
CHECKED		OF	2
DRG. NO.		50-2905	

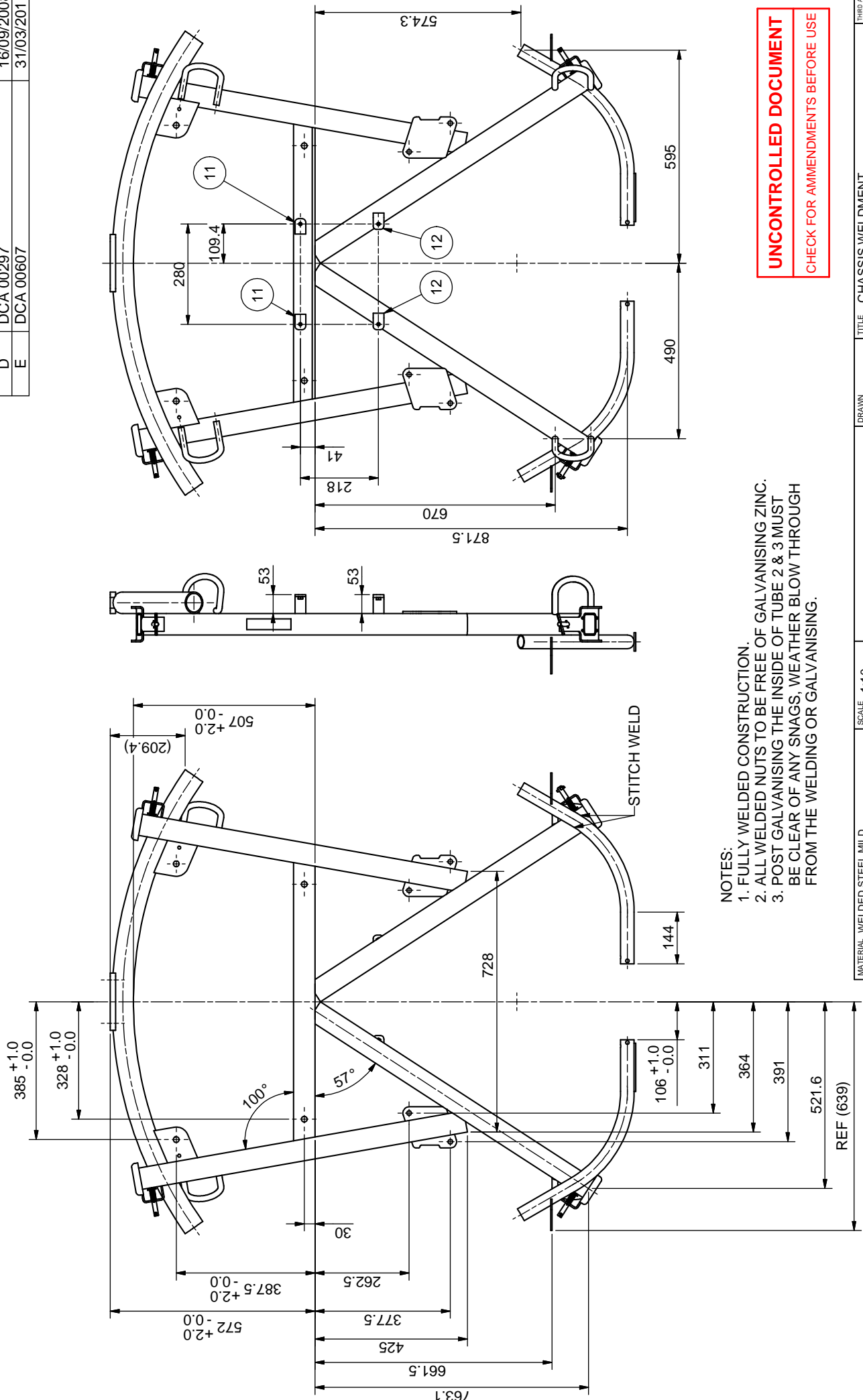
TAYLOR CONSTRUCTION PLANT LTD.	
QUAYSIDE PARK, BRISTOL, AVON, ENGLAND	WALDON, ESSEX, CM8 5FA, ENGLAND
TEL +441621 850777	FAX +441621 843330
WWW.TCP.EU.COM	

MATERIAL		WELDED STEEL MILD	
SCALE	1:10	DIMENSIONS IN MM	
FINISH		CLEAN & DEBURR	
		BS EN ISO 1461 - HOT DIP GALVANIZED	
		DES/NAG	

UNCONTROLLED DOCUMENT

CHECK FOR AMMENDMENTS BEFORE USE

ISS	DESCRIPTION	DATE
A	INITIAL ISSUE	18/07/2006
B	SEE DCA 00284	18/08/2008
C	SEE DCA 00287	26/08/2008
D	DCA 00297	16/09/2008
E	DCA 00607	31/03/2011



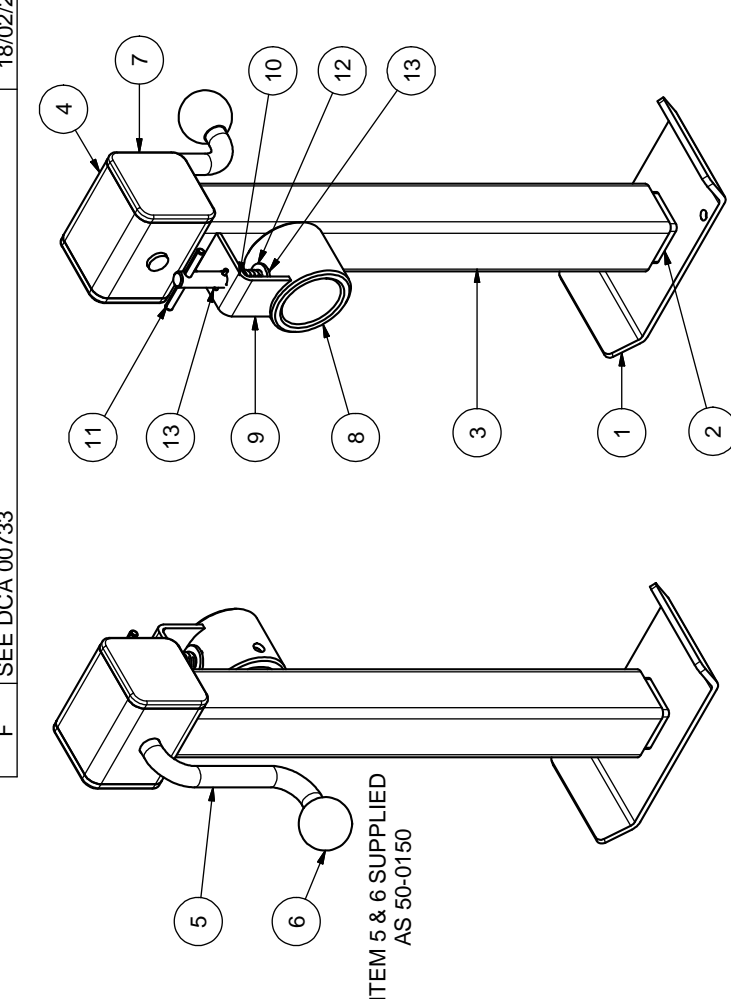
- NOTES:**
- FULLY WELDED CONSTRUCTION.
 - ALL WELDED NUTS TO BE FREE OF GALVANISING ZINC.
 - POST GALVANISING THE INSIDE OF TUBE 2 & 3 MUST BE CLEAR OF ANY SNAGS, WEATHER BLOW THROUGH FROM THE WELDING OR GALVANISING.

UNCONTROLLED DOCUMENT
CHECK FOR AMMENDMENTS BEFORE USE

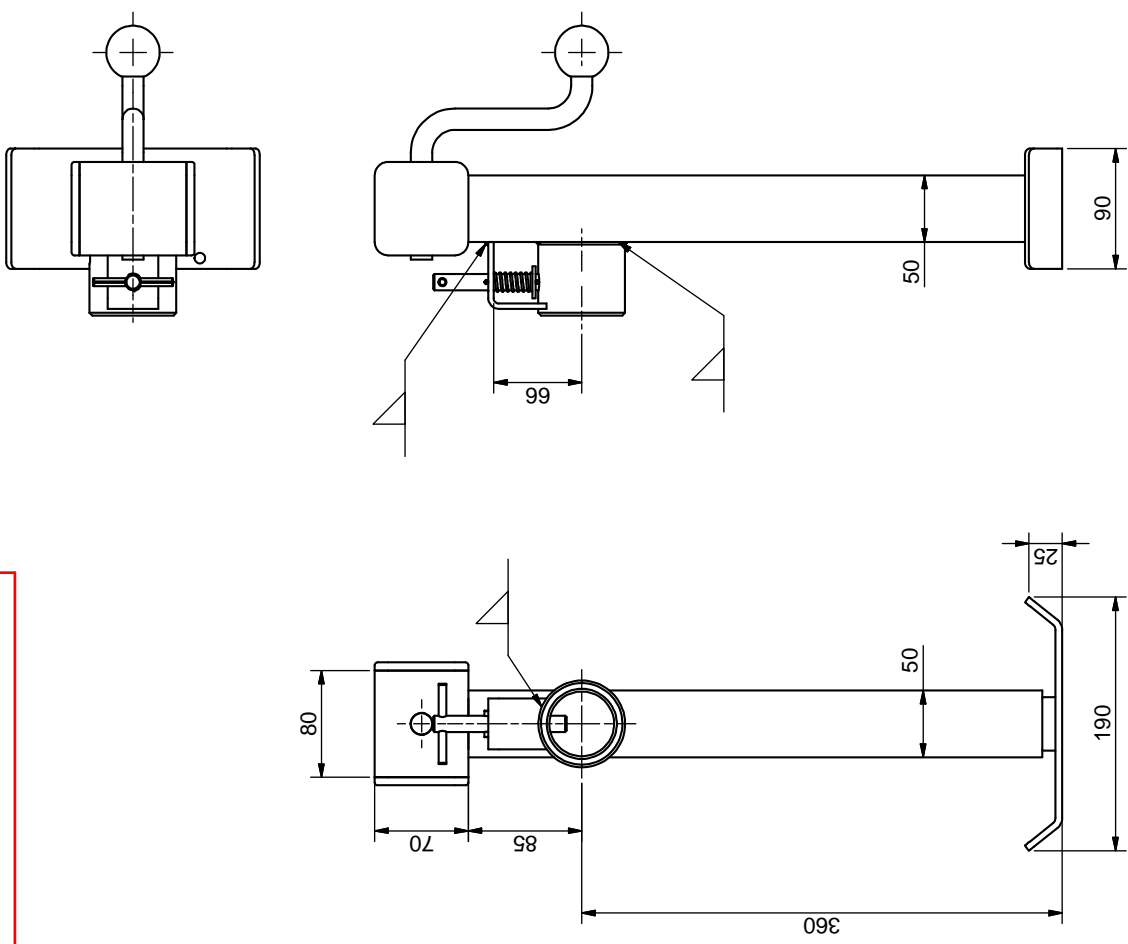
TAYLOR CONSTRUCTION PLANT LTD. QUAYSIDE TRUCK & BUSES YARD, TOL'S, MALDON, ESSEX CM8 5FA, TEL +441621 850777 FAX +441621 843330 WWW.TCP.EU.COM		DRAWN RC	TITLE CHASSIS WELDMENT	THIRD ANGLE
MATERIAL WELDED STEEL MILD		DATE 18/07/2006	PRG. NO. TCP-2905	A3
FINISH CLEAN & DEBURR BS EN ISO 1461 - HOT DIP GALVANIZED DESNAQ		CHECKED	SHEET 2 OF 2	STOCK NO 50-2905
SCALE 1:10	DIMENSIONS IN MM GENERAL ± 1.0 ANGLES ± 1/2°			

UNCONTROLLED DOCUMENT
CHECK FOR AMMENDMENTS BEFORE USE

ISS	DESCRIPTION	DATE
A	INITIAL ISSUE	23/01/2007
B	UPDATED FROM MODEL	20/03/2007
C	REVISED LOCK PIN	31/03/2007
D	LENGTH INCREASED	12/04/2007
E	SEE DCA 00263	12/03/2008
F	SEE DCA 00733	18/02/2013



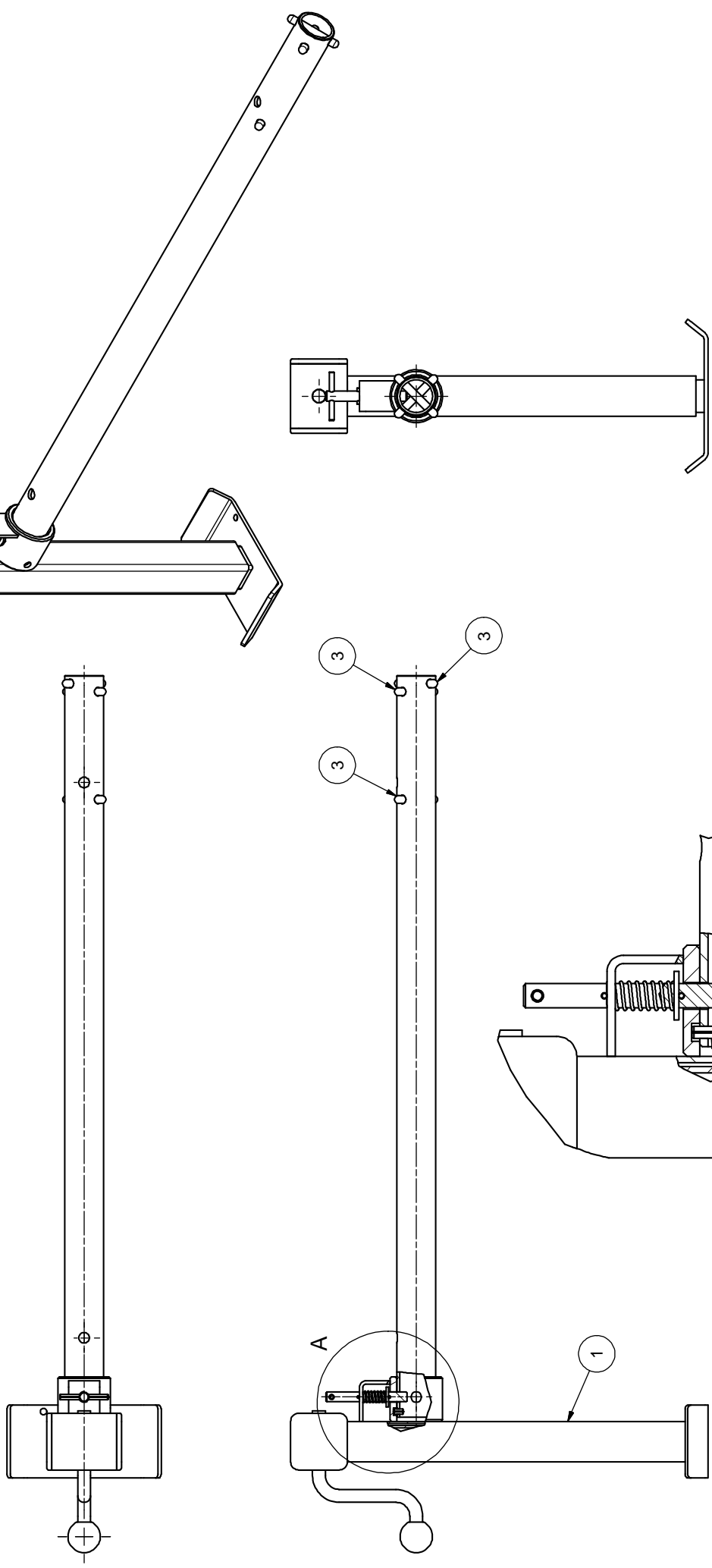
ITEM 5 & 6 SUPPLIED AS 50-0150



ITEM	DRG. No.	STOCK No	DESCRIPTION	QTY
13	ISO 13337 - 3 x 20	02-0055	Spring-type straight pins - slotted, light duty	2
12	BS 4320 - M12 (Form A)	02-0021	BRIGHT METAL WASHER - METRIC SERIES	1
11	TCP-2120		LOCATING PIN	1
10	TCP-2124		SPRING	1
9	TCP-2122		LOCATING BRACKET	1
8	TCP-2121		LOCATING RING	1
7	TCP-2147		BLANKING PLUG	2
6			KNOB	1
5	TCP-2848	50-0150	HANDLE	1
4			GEARBOX	1
3			LEG BOX 50	1
2			LEG BOX 40	1
1			FOOT	1

MATERIAL		SCALE	1:4	THIRD ANGLE	
FINISH		DIMENSIONS IN mm		DRAWN	
CLEAN & DEBURR		TOL'S:		RC	
BS EN ISO 1461 - HOT DIP GALVANIZED		GENERAL ± 0.5		DATE	
DESINAG		ANGLES ± 1/2°		23/01/2007	
		TAYLOR CONSTRUCTION PLANT LTD.		CHECKED	
		QUAYSIDE PARK, BRISTOL, AVON,		DRG. No.	
		WALTON, ESSEX, CH89 5FA.		TCP-2064	
		TEL +441621 850777 FAX +441621 843330		SHEET 1	
		WWW.TOP.EU.COM		OF 1	
				STOCK No	
				A3	

ISS	DESCRIPTION	DATE
A	INITIAL ISSUE	23/01/2007
B	JACK LEG LOCATION REDESIGNED	07/02/2007
C	CROSS PINS ADDED	28/03/2007
D	JACKLEG LENGTH INCREASED	12/04/2007
E	SEE DCA 00264	12/03/2008



ITEM	DRG. NO.	STOCK NO.	DESCRIPTION	QTY
4	ISO 13337 - 6 X 12	02-0045	SPRING-TYPE STRAIGHT PINS - SLOTTED, LIGHT	3
3	TCP-2245	50-0061	GUIDE PIN	1
2	TCP-1877	50-0047	JACK LEG TUBE	1
1	TCP-2064	50-0046	JACK LEG	1

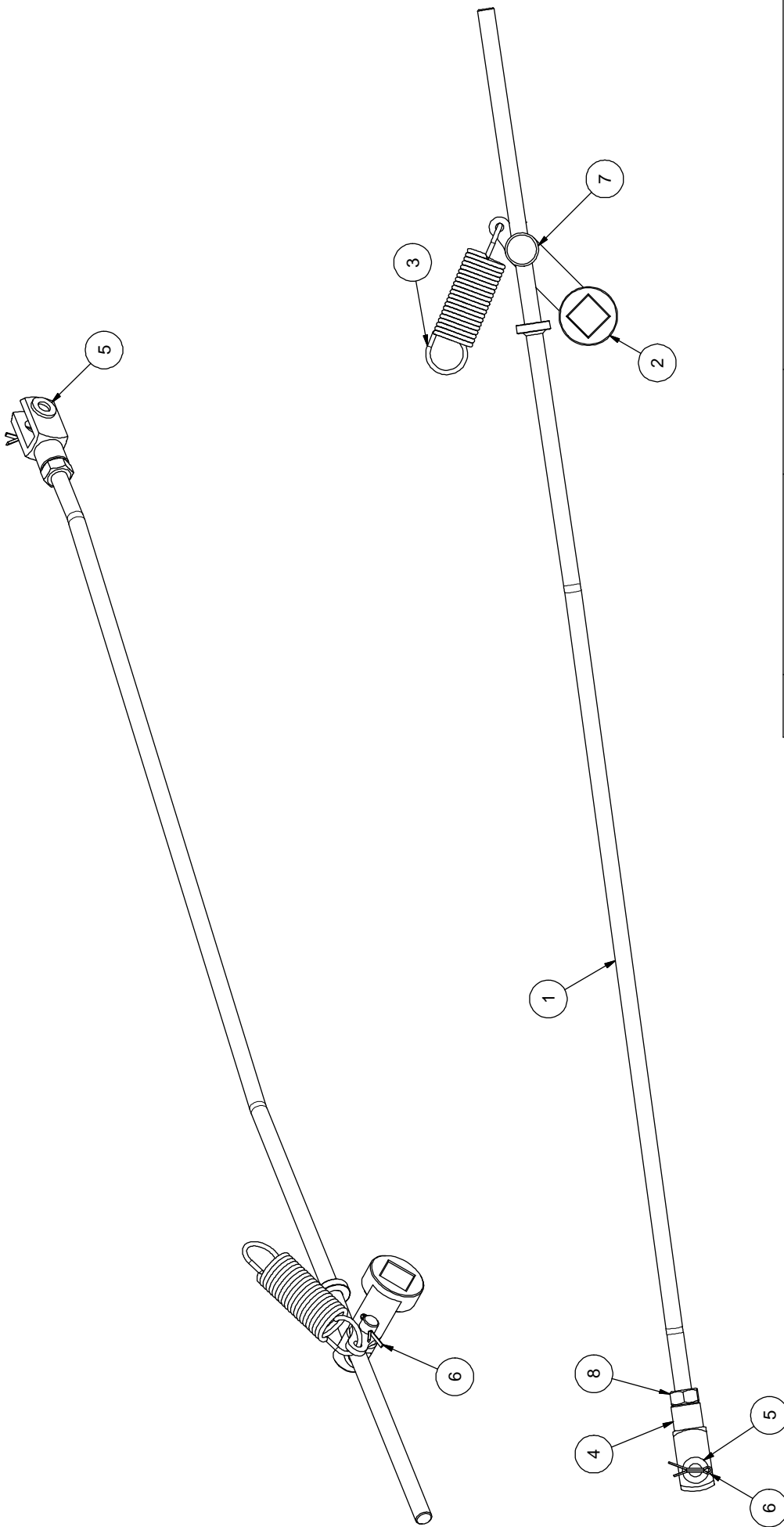
TAYLOR CONSTRUCTION PLANT LTD. QUAYSIDE PARK, BATES ROAD, MALDON, ESSEX, CM9 5FA, TEL +441821 850777 FAX +441621 843330 WWW.TCP.EU.COM	
SCALE	1:5
DIMENSIONS IN MM	
TOL'S:	GENERAL ± 0.5
ANGLES	± 1/2°

TAYLOR CONSTRUCTION PLANT LTD. QUAYSIDE PARK, BATES ROAD, MALDON, ESSEX, CM9 5FA, TEL +441821 850777 FAX +441621 843330 WWW.TCP.EU.COM	
TITLE JACK LEG ASSY	
DRAWN	RC
DATE	23/01/2007
CHECKED	
DRG. NO. TCP-1655	
SHEET 1 OF 1	
STOCK NO 50-0056	

UNCONTROLLED DOCUMENT
 CHECK FOR AMMENDMENTS BEFORE USE

A (1:2)

ISS	DESCRIPTION	DATE
A	INITIAL ISSUE	24/10/2008
B	DCA 00371	07/01/2009

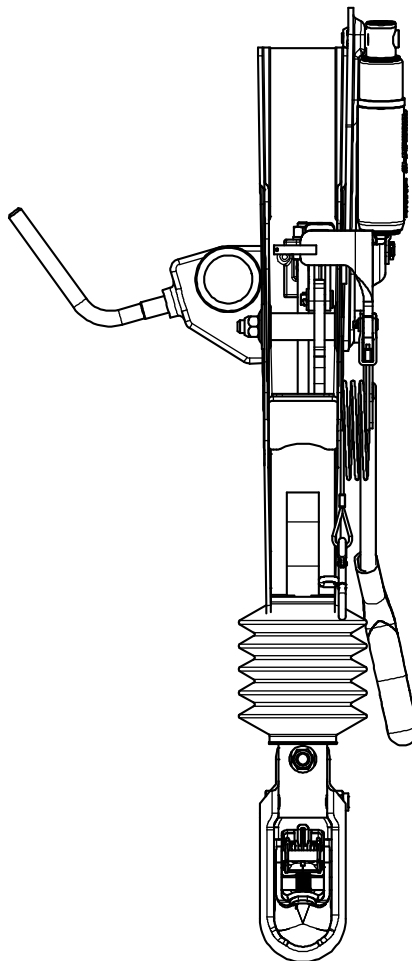
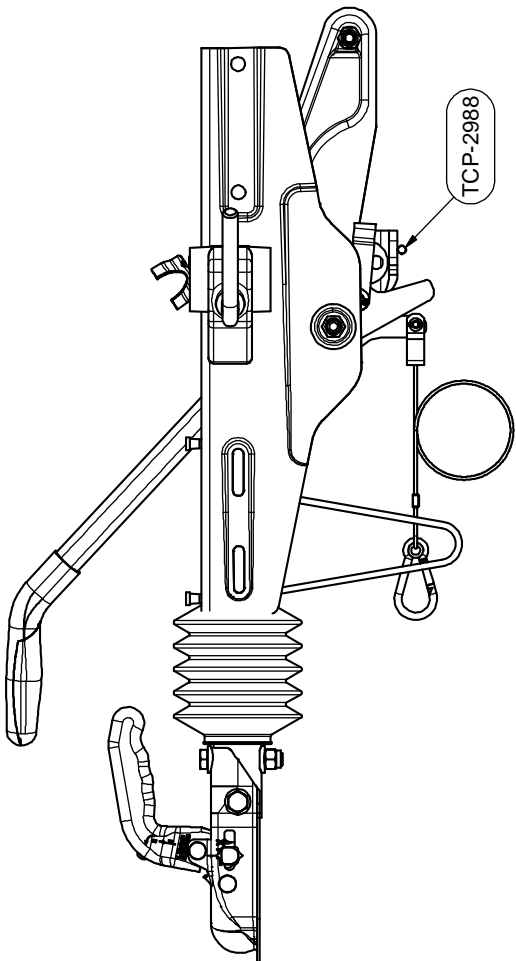
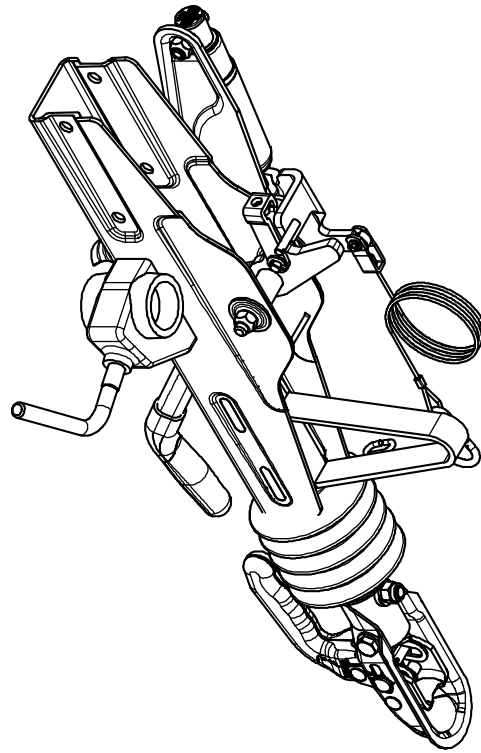
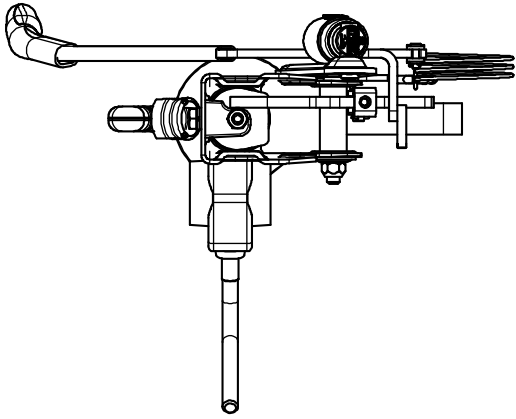


ITEM	DRG. NO.	STOCK NO.	DESCRIPTION	QTY
8	ISO 4032 - M8	01-0020	HEXAGON FULL NUT	1
7	TCP 1808	22-0241	EYE JOINT	1
6	ISO 1234 - 2 X 14	40-0021	SPIT PIN	2
5	BS 4320 - M6 (FORM A)	02-0004	BRIGHT METAL WASHER - METRIC SERIES	3
4	TCP-1954	40-0005	G 8X18 MBO CLEVIS	1
3	TCP-3076	40-3076	AMOS SPRING ECO2	1
2	TCP-1805	50-0051	BRAKE LEVER	1
1	TCP-3038	22-3038	RIGID BRAKE ROD	1

MATERIAL	SCALE	1:2	FINISH	CLEAN & DEBURR	
	DIMENSIONS IN MM	TOL'S:		GENERAL ± 0.5	ANGLES ± 1/2°
	TAYLOR CONSTRUCTION PLANT LTD. QUAYSIDE PARK, BATES ROAD, WALTON, ESSEX, CH9 5FA. TEL +441621 850777 FAX +441621 843330 WWW.TCP.EU.COM				
DRAWN		RC	TITLE		
DATE		24/10/2008	AMOS BRAKE ROD ASSY		
CHECKED			DRG. NO.	TCP-3039 SA	
			SHEET	1 OF 1	
			STOCK NO.		
			THIRD ANGLE	A3	

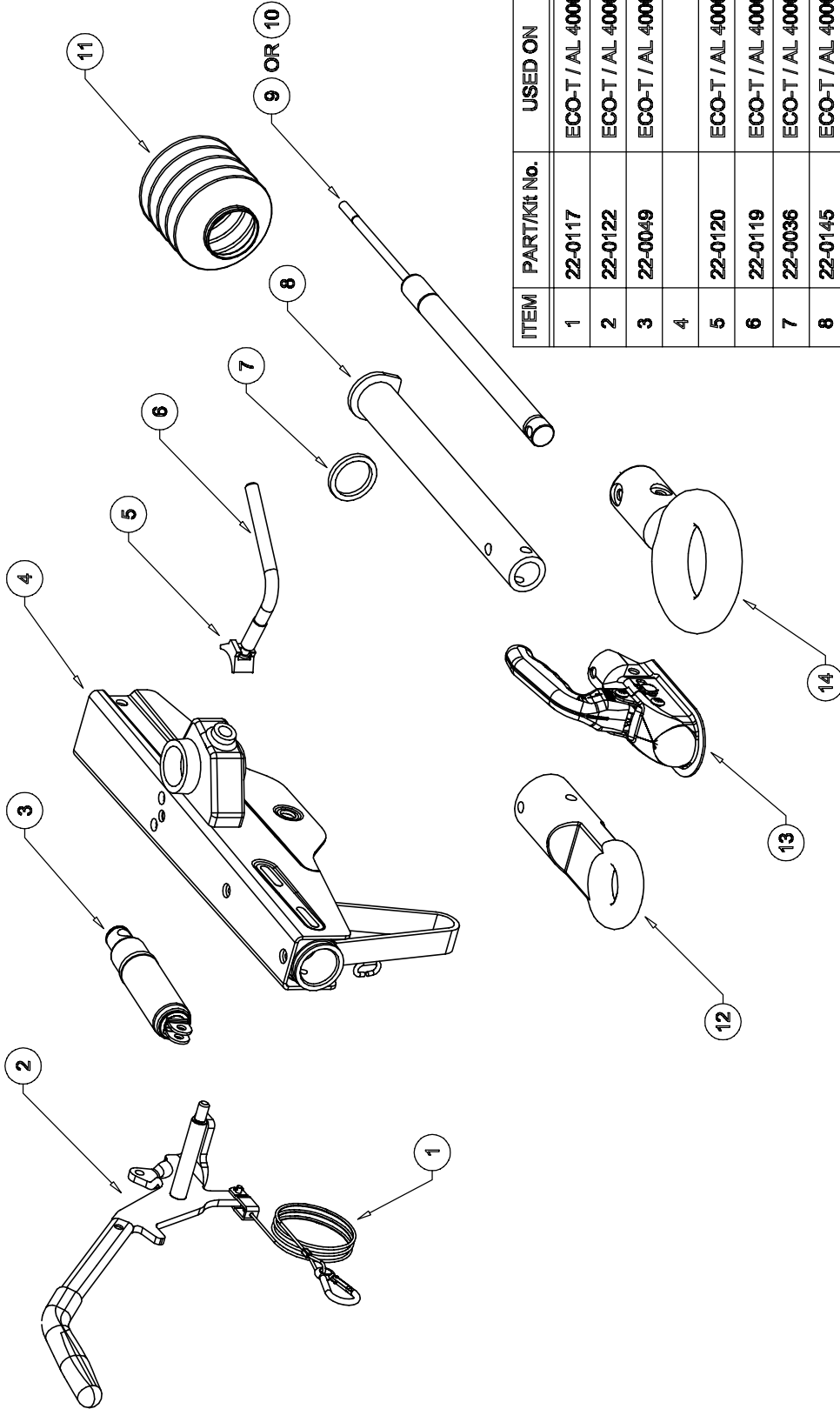
UNCONTROLLED DOCUMENT
CHECK FOR AMMENDMENTS BEFORE USE

ISS	DESCRIPTION	DATE
A	INITIAL ISSUE	10/09/2008



UNCONTROLLED DOCUMENT
CHECK FOR AMMENDMENTS BEFORE USE

MATERIAL	SCALE	1:4	TAYLOR CONSTRUCTION PLANT LTD. QUAYSIDE PARK, BRISTOL, UK. MALDON, ESSEX, CN9 5FA TEL +441821 850777 FAX +441 621 843330 WWW.TCP.EU.COM	DRAWN	RC	TITLE	60MM COUPLING 1000 KG - PRESSED STEEL HEAD	THIRD ANGLE	A3				
	FINISH	CLEAN & DEBURR		DATE	10/09/2008	CHECKED		DRG. NO.		TCP-2987 SA	SHEET	1	STOCK NO
DIMENSIONS IN MM		TOL'S:		GENERAL ± 0.5		ANGLES ± 1/2°				SHEET		OF	1



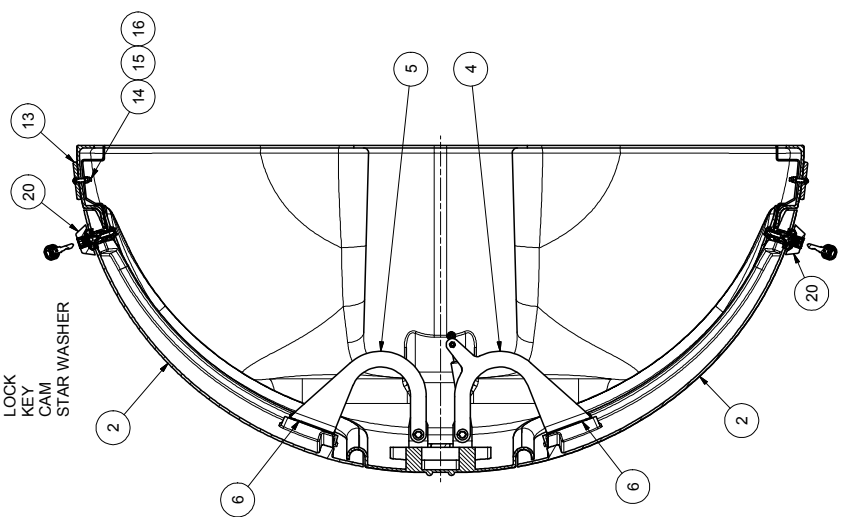
ITEM	PART/Kit No.	USED ON	DESCRIPTION	QTY
1	22-0117	ECO-T / AL 4000	BREAKAWAY CABLE	1
2	22-0122	ECO-T / AL 4000	HANDBRAKE ASSEMBLY	1
3	22-0049	ECO-T / AL 4000	HANDBRAKE ENERGY STORE	1
4			NOT SOLD SEPARATELY	
5	22-0120	ECO-T / AL 4000	HANDLE PAD	1
6	22-0119	ECO-T / AL 4000	JOCKEY HANDLE (SHORT)	1
7	22-0036	ECO-T / AL 4000	STOP RING	1
8	22-0145	ECO-T / AL 4000	DRAWTUBE	1
9	22-0296	ECO-T	DAMPER	1
10	22-0130	AL 4000	DAMPER	1
11	22-0302	ECO-T / AL 4000	BELLOWS	1
12	22-0104	ECO-T / AL 4000	40mm EYE	A/R
13	22-0105	ECO-T / AL 4000	50mm PRESSED HEAD	A/R
14	50-3648	ECO-T / AL 4000	NATO EYE	A/R

UNCONTROLLED DOCUMENT
CHECK FOR AMENDMENTS BEFORE USE

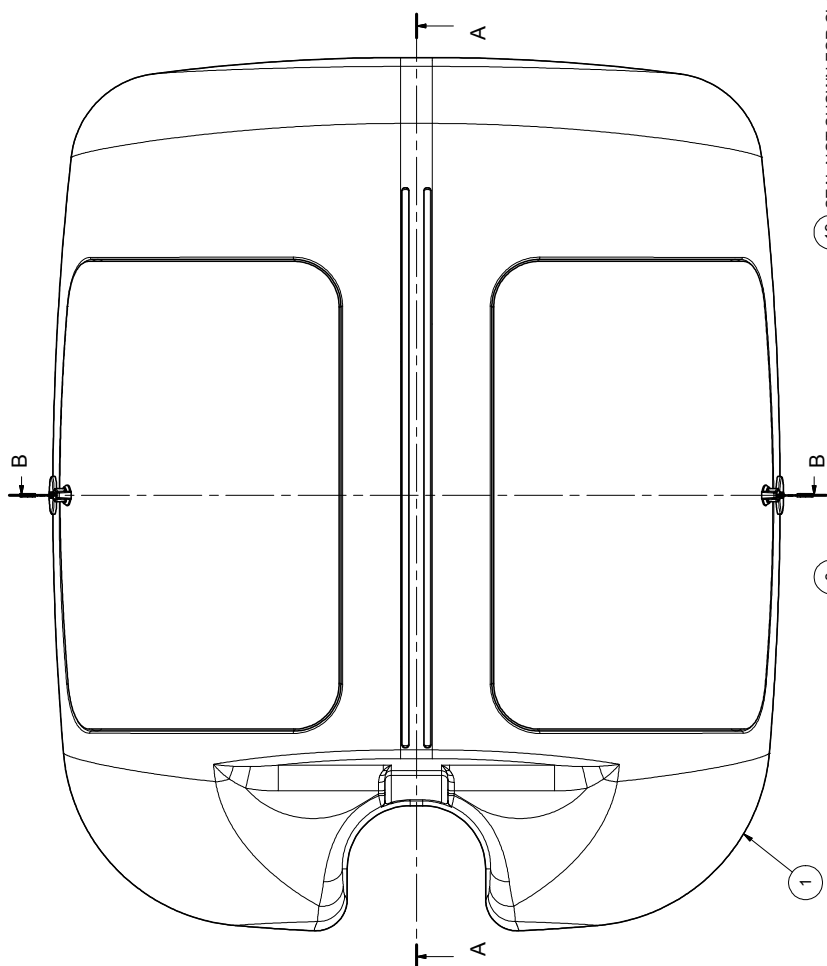
ISS		A		B		C		D		E		F		G		H	
INITIAL	ISSUE	DESCRIPTION	CHKD	DATE	MATL.	FINISH.	DIMENSIONS IN mm		TAYLOR CONSTRUCTION PLANT LTD.		TITLE: KNOTT COUPLING SPARES		DRN	GAN			
							SCALE	TOLS:	GENERAL	TAYLOR CONSTRUCTION PLANT LTD.		ECOLITE-T & AMIDA GL4000		CHKD			
							1:5	±0.25		CLAYBIDE PARK, BATES ROAD, MALDON, ESSEX, CH10 8FA							
							HOLE Ø	±0.2		TEL: +44(0)1627 753441 EXT 848880		Strt. 1 of 1		APPD			
							ANGLES	±0.26°		WWW.TCP.EU.COM		DWG No. TCP-3883		DATE			

ISS	DESCRIPTION	DATE
F	SEE DCA 00525	25/06/2010
F	SEE DCA 00554	13/09/2010
G	SEE DCA 00648	16/09/2011
H	SEE DCA 00663	07/11/2011

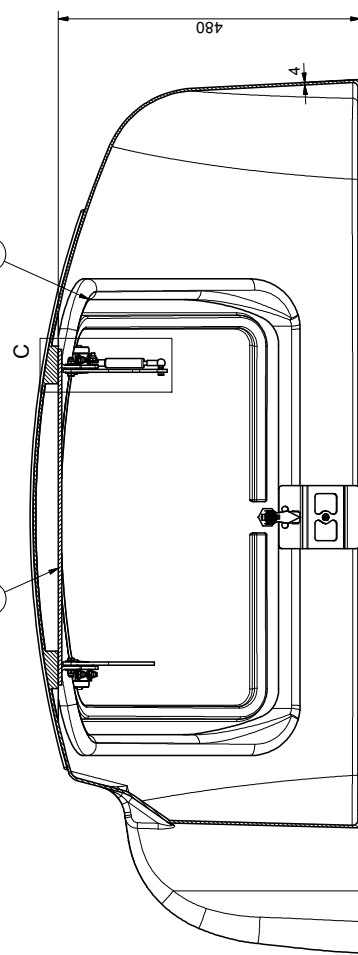
ITEM 20 CONTAINS:
LOCK
KEY
CAM
STAR WASHER



B-B

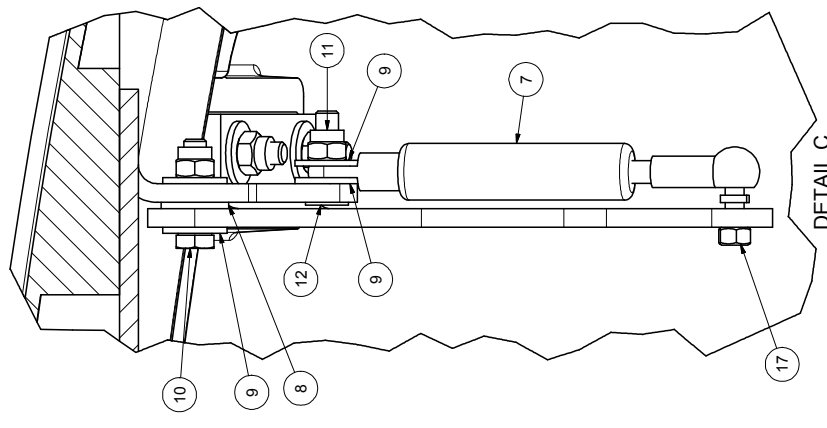


(19) SEAL NOT SHOWN FOR CLARITY.



EDN	COLOUR	UPPER BODY COLOUR	COLOUR SPEC	STOCK NO
1	ORANGE		RAL 2009	30-2870-01
2	WHITE		RAL 9010	30-2870-02
3	RED		RAL 3020	30-2870-03
4	LIGHT GREEN		RAL	30-2870-04
5	PINK		RAL 4010	30-2870-05
6	YELLOW (YOUNGMAN)		RAL 1007	30-2870-06

A-A



DETAIL C

ITEM	NTS	SCALE	DRG. No.	STOCK No.	DESCRIPTION	QTY
20	TCP-3709-SA			99-3709	DOOR LOCK ASSEMBLY	2
19	N/A			30-0060	DOOR SEAL, BAINES DX72	5m
18	TCP-2912			51-2912	DOOR LATCH BRACKET	2
17	ISO 4032 - M5			01-0187	HEXAGON FULL NUT	2
16	ISO 7040 - M5			01-0085	HEX NUT WITH TORQUE PART	2
15	BS 4320 - M5 (Form A)			02-0013	BRIGHT METAL WASHER - METRIC SERIES	2
14	ISO 7045 - M5 x 25 - 4.8 - Z			01-0188	PAN HEAD SCREW - GRADE A	2
13	TCP-1982			22-0028	REFLECTOR - YELLOW	2
12	ISO 10642 - M6 x 25			01-0166	HEXAGON SOCKET COUNTERSINK HEAD SCREW	2
11	ISO 7040 - M6			01-0017	HEX NUT WITH TORQUE PART	14
10	ISO 4017 - M6 x 25			01-0040	HEXAGON HEAD SCREW	4
9	BS 4320 - M6 (Form A)			02-0004	BRIGHT METAL WASHER - METRIC SERIES	20
8	DIN 9021 - 6.4			02-0033	WASHER	4
7	TCP-3082			40-3082	GAS STRUT 400N	2
6	TCP-3053			51-3053	HINGE SHIM	4
5	TCP-3050			51-3050	HINGE RIGHT PLAIN	2
4	TCP-2910			51-2910	HINGE RIGHT PIVOT	2
3	TCP-3052			51-3052	HINGE PIVOT PLATE	1
2	TCP-2872			30-2872-XX	SERVICE DOOR	2
1	TCP-2871			30-2870-XX	UPPER BODY	1

UNCONTROLLED DOCUMENT
CHECK FOR AMMENDMENTS BEFORE USE

MATERIAL
FINISH
CLEAN & DEBURR
BODY COLOUR IS A VARIABLE

SCALE: NTS
DIMENSIONS IN mm
TOLERANCES: 0.15, 0.3, 0.5
ANGLES: 0.12°

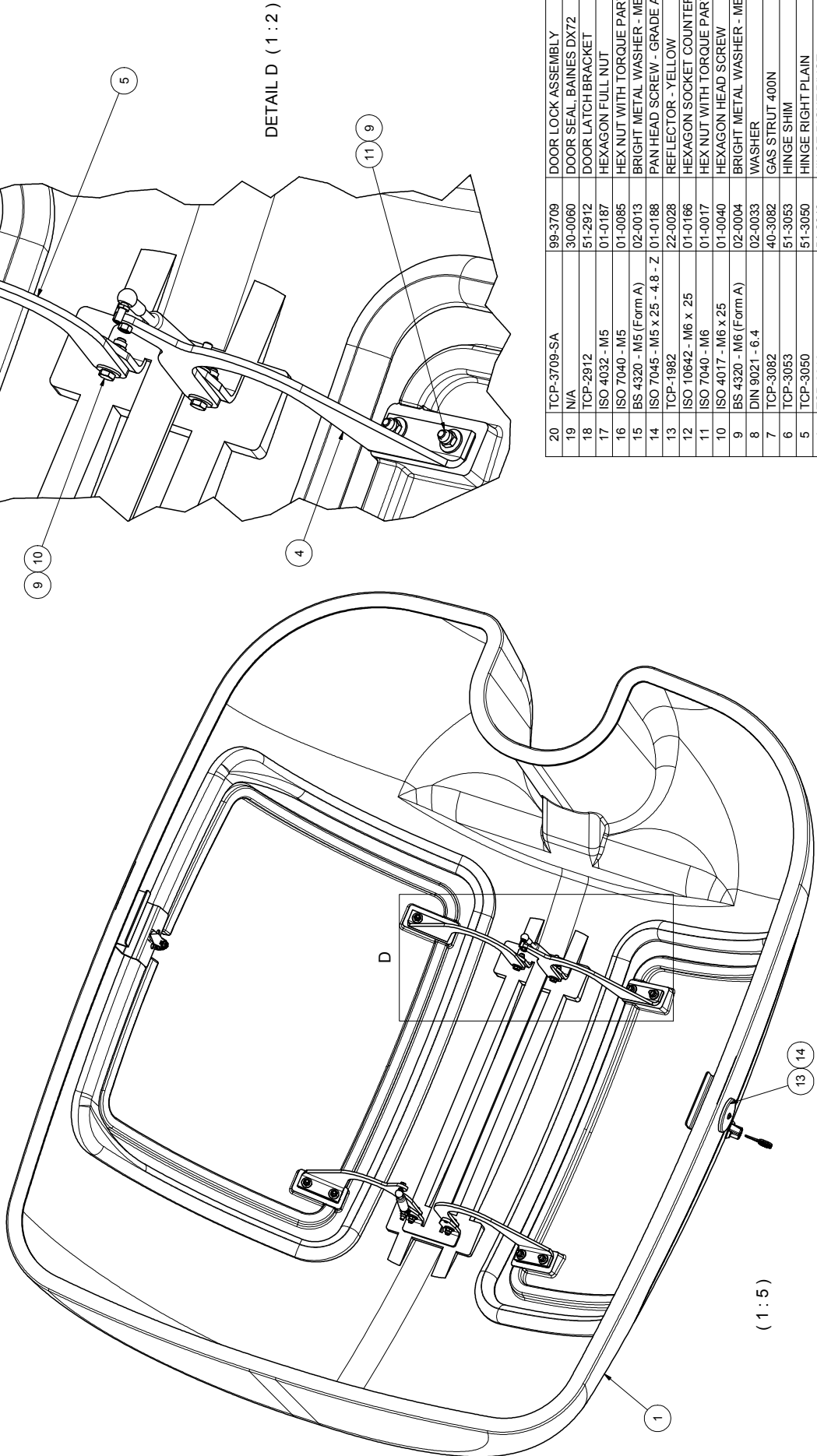
DRAWN: RC
DATE: 22/07/2008
CHECKED:

TAYLOR CONSTRUCTION PLANT LTD.
GARDEN, LESSEX, CAMBS, UK
TEL: 44 (0)1535 518433
WWW.TCP.CO.UK

DRG. No. TCP-2870
SHEET 1 OF 2

TITLE: UPPER BODY ASSY
THRU-FILE
A2

ISS	DESCRIPTION	DATE
E	SEE DCA 00525	25/06/2010
F	SEE DCA 00554	13/09/2010
G	SEE DCA 00548	16/09/2011
H	SEE DCA 00663	07/11/2011



ITEM	SCALE	DRG. No.	STOCK No.	DESCRIPTION	QTY
20	TCP-3709-SA	99-3709		DOOR LOCK ASSEMBLY	2
19	N/A	30-0060		DOOR SEAL, BAINES DX72	5m
18	TCP-2912	51-2912		DOOR LATCH BRACKET	2
17	ISO 4032 - M5	01-0187		HEXAGON FULL NUT	2
16	ISO 7040 - M5	01-0085		HEX NUT WITH TORQUE PART	2
15	BS 4320 - M5 (Form A)	02-0013		BRIGHT METAL WASHER - METRIC SERIES	2
14	ISO 7045 - M5 x 25 - 4.8 - Z	01-0188		PAN HEAD SCREW - GRADE A	2
13	TCP-1982	22-0028		REFLECTOR - YELLOW	2
12	ISO 10642 - M6 x 25	01-0166		HEXAGON SOCKET COUNTERSUNK HEAD SCREW	2
11	ISO 7040 - M6	01-0017		HEX NUT WITH TORQUE PART	14
10	ISO 4017 - M6 x 25	01-0040		HEXAGON HEAD SCREW	4
9	BS 4320 - M6 (Form A)	02-0004		BRIGHT METAL WASHER - METRIC SERIES	20
8	DIN 9021 - 6.4	02-0033		WASHER	4
7	TCP-3082	40-3082		GAS STRUT 400N	2
6	TCP-3053	51-3053		HINGE SHIM	4
5	TCP-3050	51-3050		HINGE RIGHT PLAIN	2
4	TCP-2910	51-2910		HINGE RIGHT PIVOT	2
3	TCP-3052	51-3052		HINGE PIVOT PLATE	1
2	TCP-2872	30-2872-XX		SERVICE DOOR	2
1	TCP-2871	30-2870-XX		UPPER BODY	1

MATERIAL	FINISH	SCALE	DRG. No.	STOCK No.	DESCRIPTION	QTY
CLEAN & DEBURR		1:5 & 1:2			UPPER BODY ASSY	

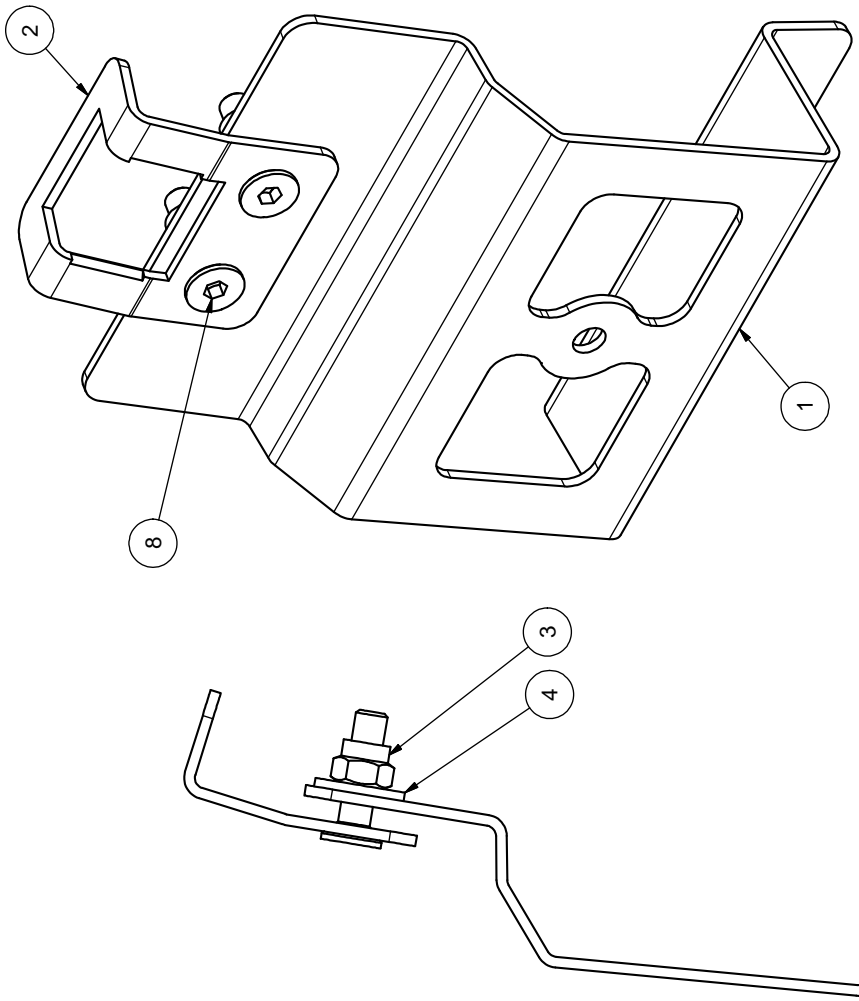
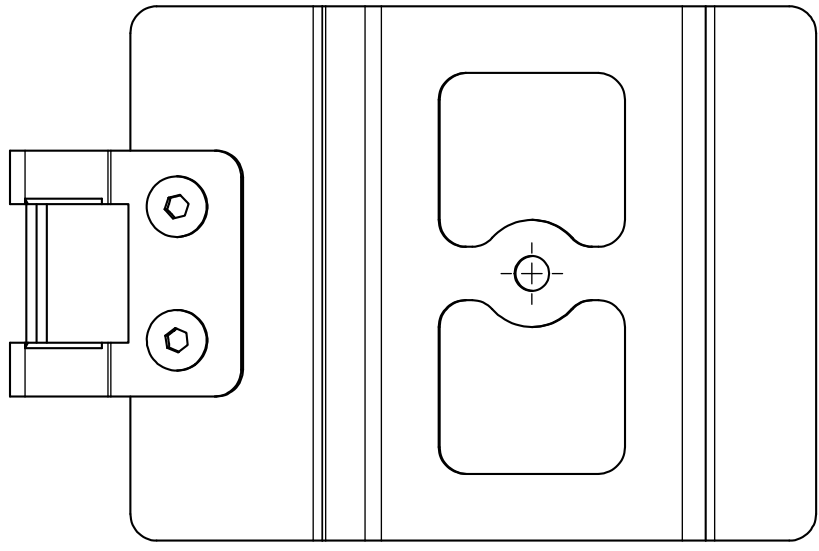
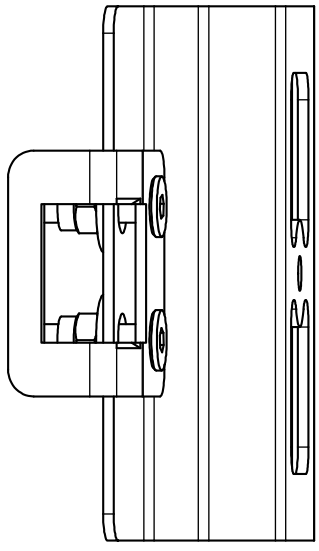
TAYLOR CONSTRUCTION PLANT LTD.
 GARDEN INDUSTRIAL PARK, ST. MARKS, ESSEX, SSG16 5JF, UK
 TEL: +44 (0)1473 450000 FAX: +44 (0)1473 450001
 WWW.TCP.CO.UK

DRAWN: RC
 DATE: 22/07/2008
 CHECKED:

SHEET 2 OF 2
 STOCK No: TCP-2870
 DRG No: TCP-2870

UNCONTROLLED DOCUMENT
 CHECK FOR AMENDMENTS BEFORE USE

ISS	DESCRIPTION	DATE
A	INITIAL ISSUE	21/07/2008
B	SEE DCA 00414	07/07/2009
C	SEE DCA 00525	25/06/2010



ITEM	DRG. NO.	STOCK NO.	DESCRIPTION	QTY
8	ISO 10642 - M6 X 25	01-0166	HEXAGON SOCKET COUNTERSUNK HEAD SCREW	2
4	BS 4320 - M6 (FORM A)	02-0004	BRIGHT METAL WASHER - METRIC SERIES	2
3	ISO 7040 - M6	01-0017	HEX NUT WITH TORQUE PART	2
2	TCP-2913	51-2913	DOOR LOCK CATCH	1
1	TCP-2912	51-2912	DOOR LATCH BRACKET	1

SCALE	1:1
DIMENSIONS IN MM	
TOL'S:	
GENERAL ± 0.5	
ANGLES ± 1/2°	

MATERIAL	FINISH	CLEAN & DEBURR

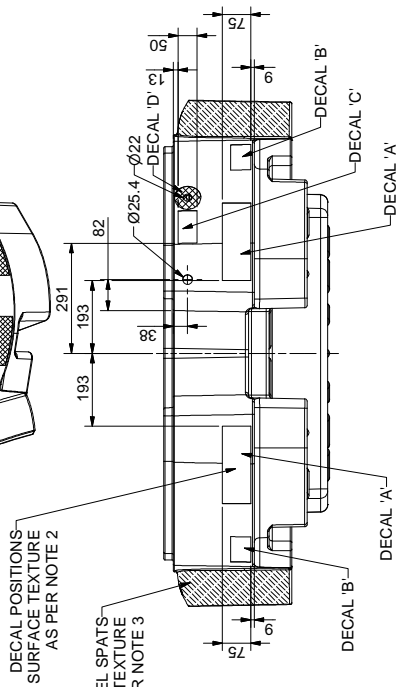
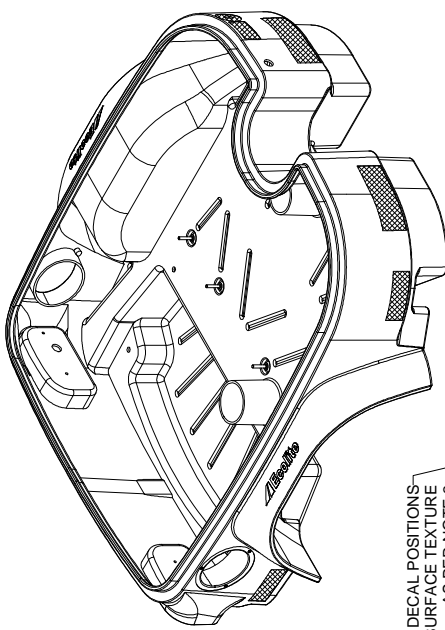
DRAWN	RC	TITLE	DOOR CATCH ASSY
DATE	22/07/2008		
CHECKED		BRG. NO.	TCP-2923 SA
		SHEET 1	OF 1
		STOCK NO.	51-2923

THIRD ANGLE	A3

UNCONTROLLED DOCUMENT
CHECK FOR AMMENDMENTS BEFORE USE

ISS	DESCRIPTION	DATE
A	INITIAL ISSUE	07/07/2008
B	SEE DCA 00280	11/08/2008
C	SEE DCA 00291	02/09/2008
D	SEE DCA 00413	07/07/2009

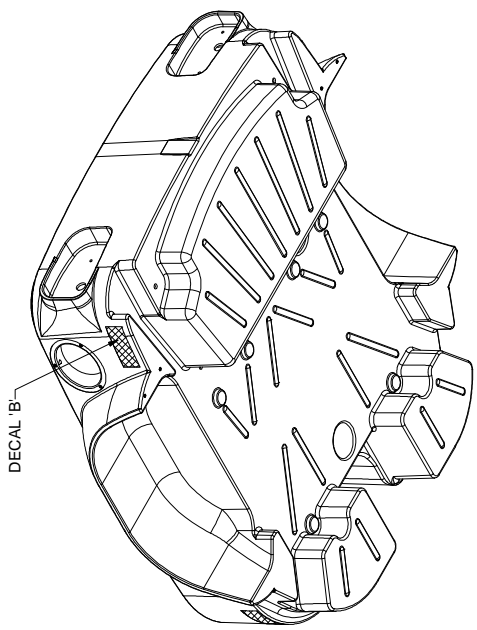
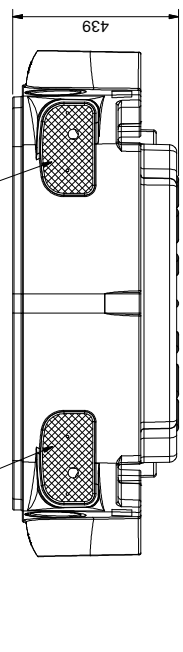
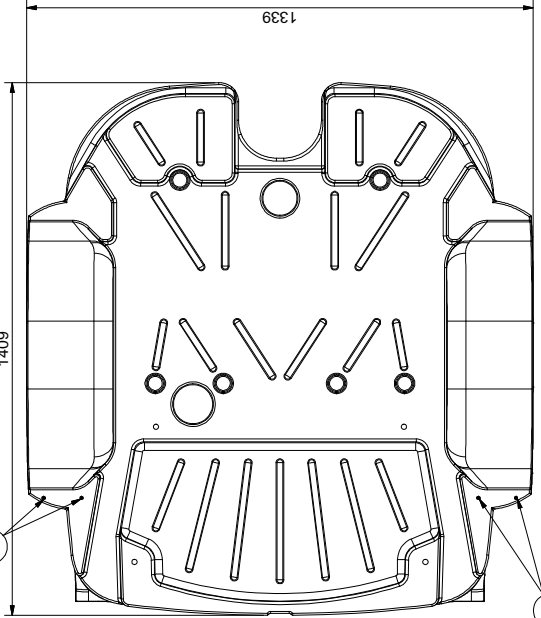
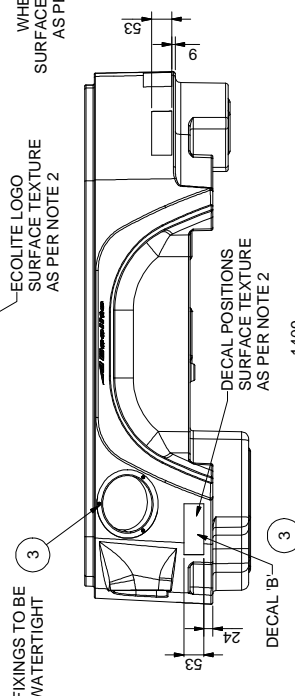
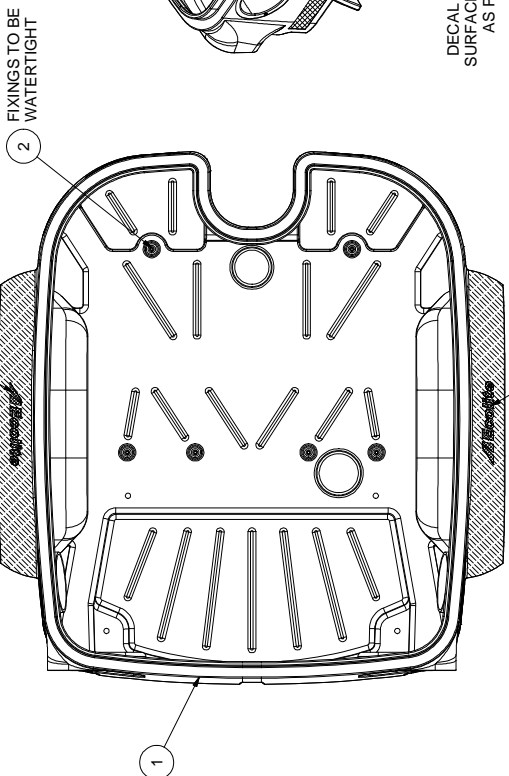
UNCONTROLLED DOCUMENT
CHECK FOR AMMENDMENTS BEFORE USE



DECAL	QTY	SIZE
A	2	210X75
B	4	135X53
C	1	88X50
D	1	Ø70

SURFACE TEXTURES

- 1. PERSISCO GRADE 6 - MAIN BODY.
- 2. PERSISCO GRADE 3 - DECAL POSITIONS & ECOLITE LOGOS
- 3. PERSISCO GRADE 1 - WHEEL SPATS.



ITEM	DRG. NO.	STOCK NO.	DESCRIPTION	QTY
3			M5 HEXAGONAL BLIND INSERT	10
2			BIGHEAD INSERT - 316-M1/B20-M8X40	6
1	TCP-2861		LOWER BODY	1

SCALE: 1:10
DIMENSIONS IN MM
GENERAL: 1:5
FINISH: 1:12

MATERIAL: MPPE (20% REGRIND) 6MM THICK 25KG
COLOUR: RAL 7012
FINISH: CLEAN & DEBURR
SEE NOTE FOR SURFACE FINISH

TAYLOR CONSTRUCTION PLANT LTD.
GARDEN, ESSEX, CH19 5PA
TEL: 0476 810000
WWW.TCP.CO.UK

DRG. NO.: TCP-2861
SHEET 1 OF 1
STOCK NO.: 30-2861-01

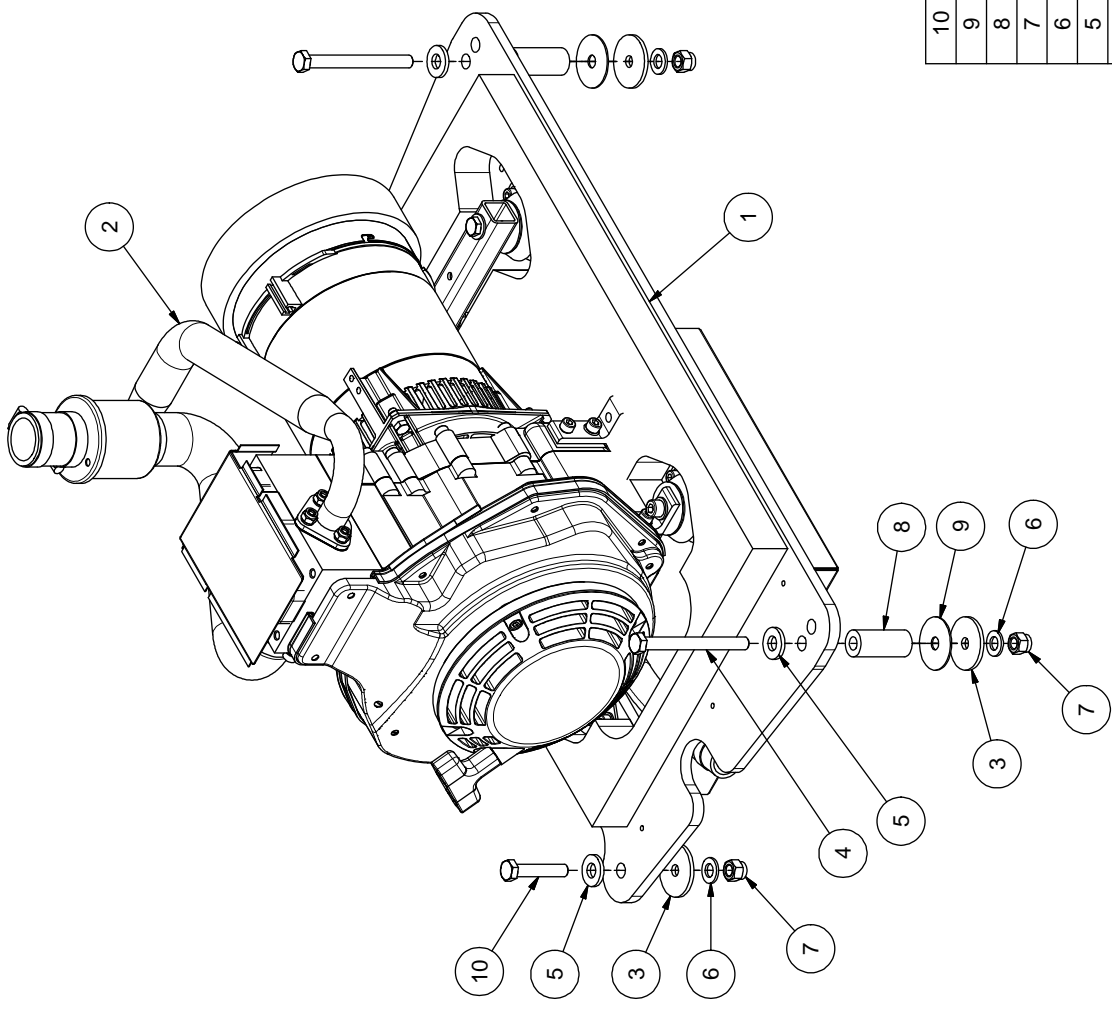
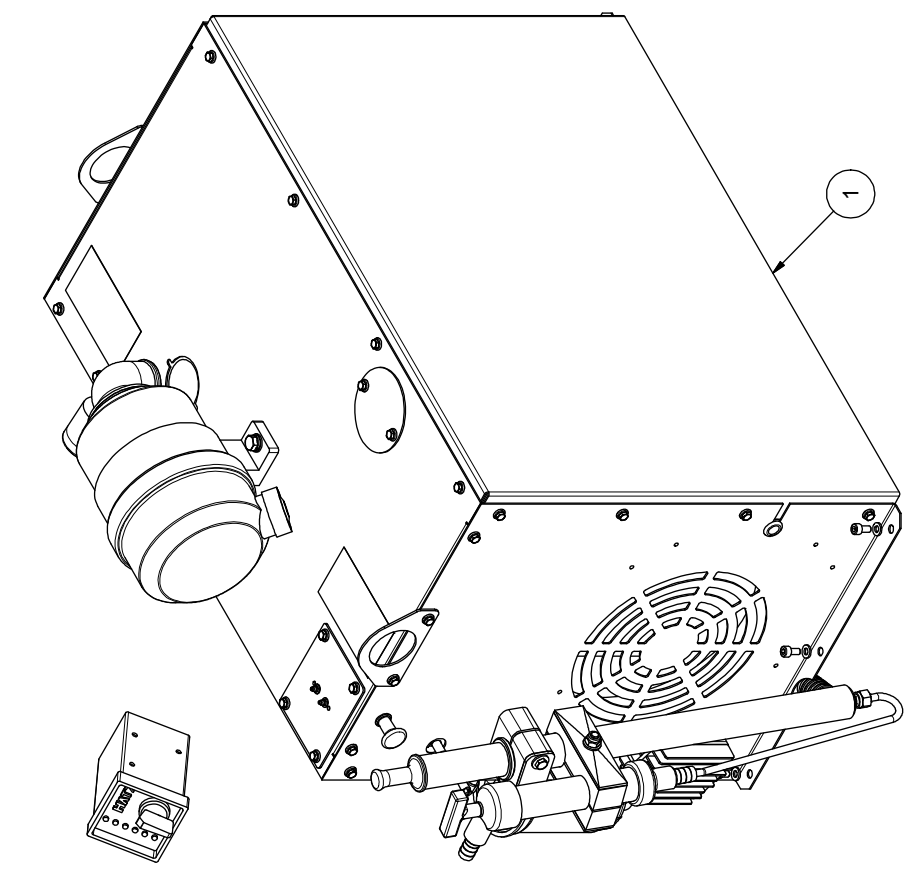
DATE: 07/07/2008
DRAWN: RC
CHECKED: [Signature]

ECOLITE-T

MECC-ALTE ALTERNATOR

Version - 1

ISS	DESCRIPTION	DATE
A	INITIAL ISSUE	14/11/2008
B	SEE DCA 00415	10/07/2009

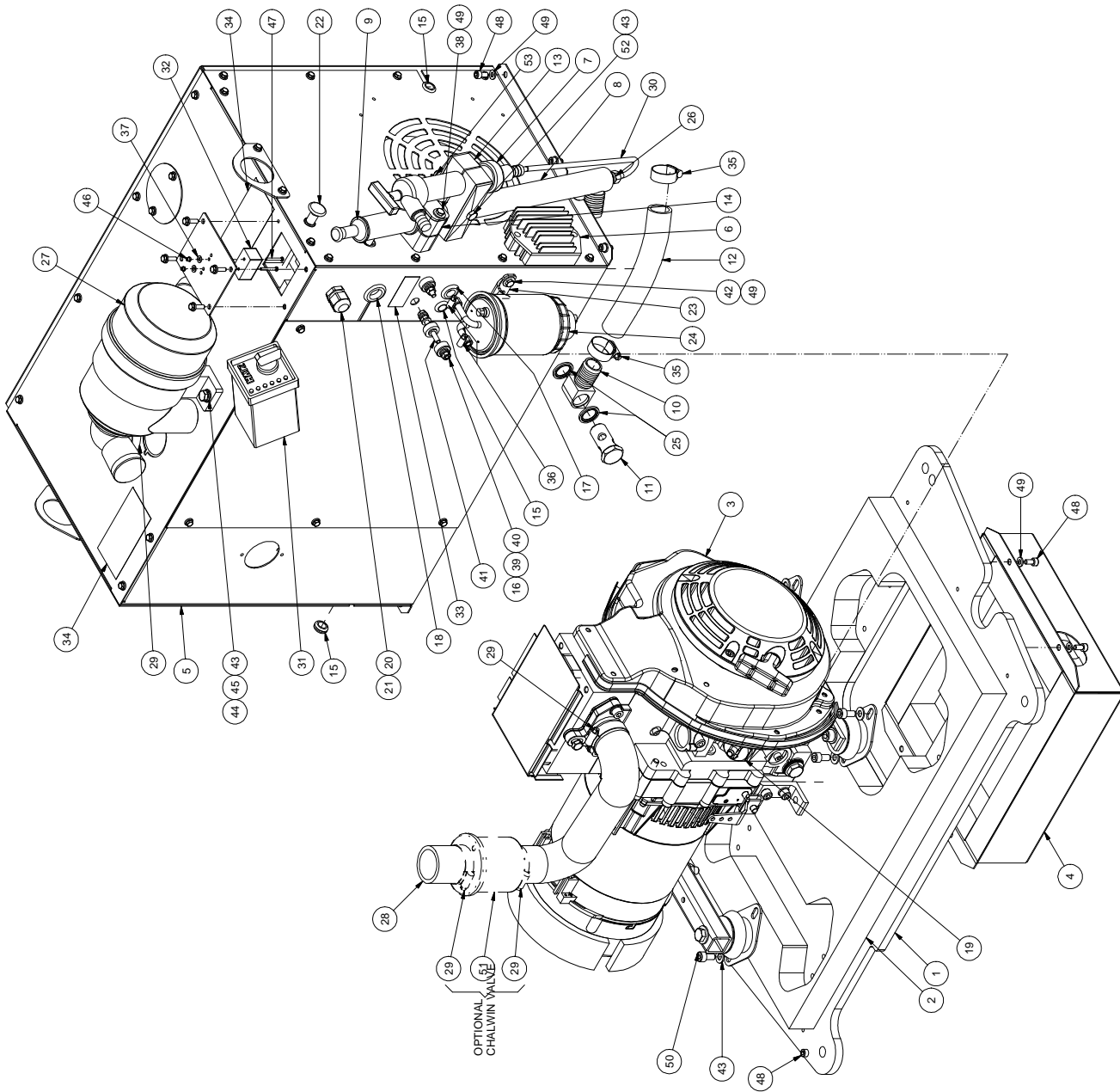


ITEM	DRG. NO.	STOCK NO.	DESCRIPTION	QTY
10	ISO 4017 - M12 X 60	01-0054	HEXAGON HEAD SCREW	2
9	TCP-3205	02-3205	WASHER M12X50X1.5	2
8	TCP-2896	51 - 2896	ENGINE MOUNTING PILLAR	2
7	ISO 7040 - M12	01-0038	HEX NUT WITH TORQUE PART	4
6	BS 4320 - M12 (FORM A)	02-0021	BRIGHT METAL WASHER - METRIC SERIES	4
5	TCP-2030	02-0044	WASHER M12X30X4	4
4	ISO 4017 - M12 X 120	01-0068	HEXAGON HEAD SCREW	2
3	TCP-2404	03-0055	PU WASHER Ø50 X 4THK Ø11 HOLE	4
2	TCP-2878	10-2878	EXHAUST PIPE - 1B20 - ECOLITE T	1
1	TCP-2875	SA-2875	ECOLITE ENGINE & SOUND BOX ASSY - HATZ 1B20	1

MATERIAL		FINISH		THIRD ANGLE	
SCALE	1:5	CLEAN & DEBURR			
DIMENSIONS IN MM		TOL'S:		DRAWN	
GENERAL ± 0.5		ANGLES ± 1/2°		RC	
		TAYLOR CONSTRUCTION PLANT LTD.		TITLE	
		QUAY ROAD, BRISTOL, AVON, UK		ECOLITE 2 POWER UNIT - HATZ 1B20	
		MILDON, ESSEX, UK		MECC-ALTE	
		TEL +441621 850777 FAX +441621 843330		DATE	
		WWW.TCP.EU.COM		14/11/2008	
				CHECKED	
				DRG. NO.	
				TCP-3029-01	
				SHEET 1	
				OF 1	
				STOCK NO	
				SA-3029-01	
				A3	

UNCONTROLLED DOCUMENT
CHECK FOR AMMENDMENTS BEFORE USE

ISS	DESCRIPTION	DATE
A	INITIAL ISSUE	13/11/2008
B	SEE DCA 00369	12/12/2008
C	SEE DCA 00408	19/06/2009
D	SEE DCA 00412	06/07/2009
E	SEE DCA 00549	11/08/2010
F	SEE DCA 00583	14/01/2011



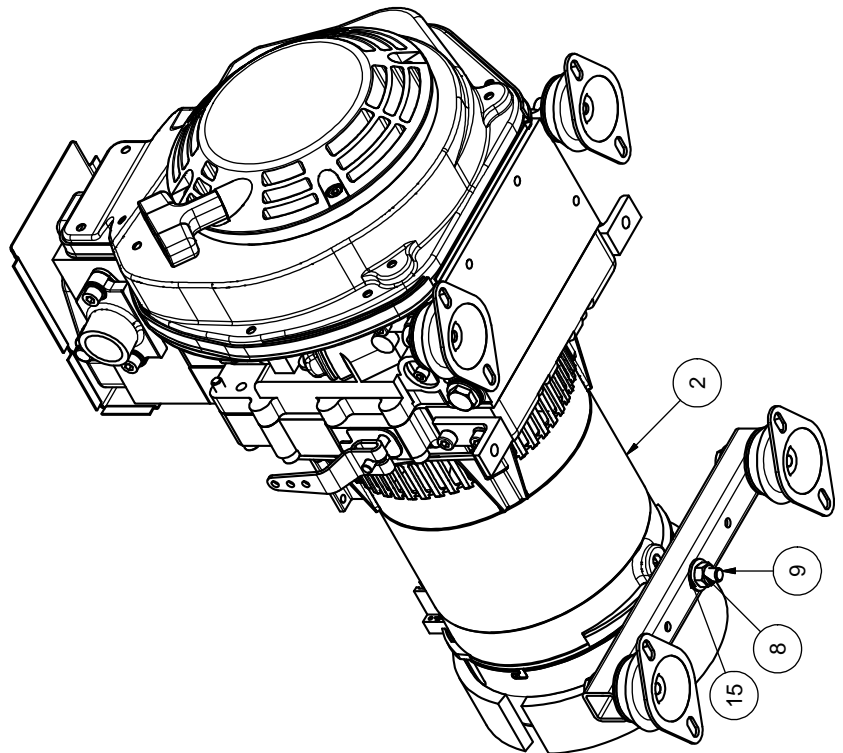
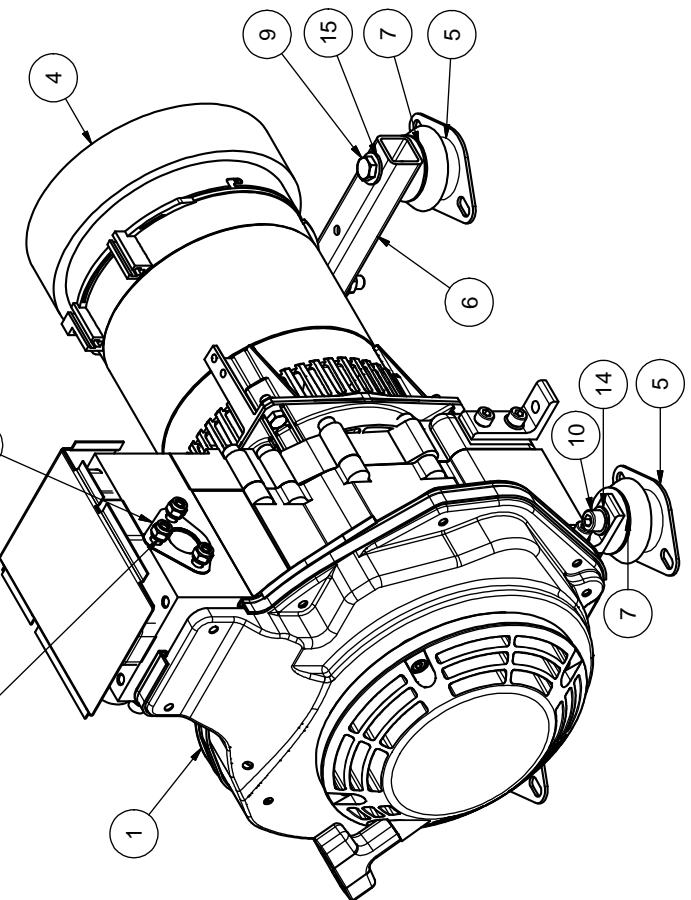
ITEM	SCALE	DRG. NO.	STOCK NO.	KIT	DESCRIPTION	QTY
53	ISO 7040 - M8		01-0017		HEX NUT WITH TORQUE PART	1
52	ISO 4014 - M8 X 90		01-3208		HEXAGON HEAD BOLT - PRODUCT GRADES A AND B	1
51	TCP-2809		10-0066		CHALWIN VALVE	1
50	ISO 4762 - M8 X 16		01-0033		HEXAGON SOCKET HEAD CAP SCREW	8
49	BS 4320 - M6 (FORM A)		*VARIES*		BRIGHT METAL WASHER - METRIC SERIES	15
48	ISO 4762 - M6 X 12		01-0085		HEXAGON SOCKET HEAD CAP SCREW	11
47	ISO 7045 - M3 X 25 - 4.8 - Z		01-0168		PAN HEAD SCREW - GRADE A	2
46	ISO 7040 - M3		01-0032		HEX NUT WITH TORQUE PART	2
45	BS 4464 - M8 FORM B		02-0012		SPRING WASHER - METRIC SERIES	2
44	ISO 4017 - M8 X 30		01-0012		HEXAGON HEAD SCREW	2
43	BS 6320 - M8 (FORM A)		*VARIES*		BRIGHT METAL WASHER - METRIC SERIES	11
42	ISO 4017 - M6 X 20		01-0002		HEXAGON HEAD SCREW	2
41	ISO 4017 - M6 X 50 ST/ST		01-0148		HEXAGON HEAD SCREW	2
40	ISO 4032 - M6 ST/ST		01-0149		HEXAGON FULL NUT	4
39	BS 4320 - M6 (FORM A) ST/ST		02-0037		BRIGHT METAL WASHER - METRIC SERIES	10
38	ISO 4014 - M6 X 75		01-0177		HEXAGON HEAD BOLT - PRODUCT GRADES A AND B	2
37	BS 4320 - M4 (FORM A)		02-0028		BRIGHT METAL WASHER - METRIC SERIES	2
36	TCP-3202		03-0064		JUBILEE HOSE CLIP 08 - 12MM	2
35	TCP-2796		10-0082		JUBILEE HOSE CLIP 30 - 40MM	2
34	TCP-1093		80-0043		DECAL DANGER FALLING HAZARD	2
33	TCP-2989		80-2989		DECAL 12V DC	1
32	TCP-2876		71-0284		4 WAY TERMINAL BLOCK	1
31	TCP-2820		12-2891		HATZ ENGINE CONTROLLER	1
30	TCP-2898		62-0149		OIL DRAIN PIPE	1
29	TCP-2992		10-0080		JUBILEE HOSE CLIP 35 - 50MM	4
28	TCP-2885		10-2885		AIR INTAKE TUBE	1
27	TCP-2897		10-2897		AIR FILTER	1
26	TCP-2125		62-0148		1/4 BSPT TO 1/4 INCH COMPRESSION	1
25	TCP-2984		62-0147		22MM BONDED WASHER	2
24	TCP-2984		14-0128		HATZ FUEL FILTER	1
23	TCP-2985		14-2985		BRACKET - HATZ FUEL FILTER	1
22	TCP-2808		42-0015		PULL STOP	1
21	TCP-2110		71-0036		M20 CABLE GLAND NUT	1
20	TCP-2109		71-0035		M20 INDEX CABLE GLAND	1
19	TCP-2332		12-0066		ASSY BUNG FOR ENGINE BREATHER HATZ	1
18	TCP-2387		03-0056		25.4MM GROMMET	1
17	TCP-2150		03-0046		12.7MM GROMMET	1
16	TCP-1620		12-0027		INSULATOR JUMP START	1
15	TCP-2107		03-0045		11.1MM GROMMET	3
14	TCP-2039		61-0012		32 DIA SERIES A LIGHT DUTY CLAMP	1
13	TCP-2023		61-0011		32 DIA SERIES B CLAMP	1
12	TCP-3535		12-3535		SILVERFLEX HOSE - ENGINE SUMP	1
11	TCP-1854		12-0045		M22 BANJO BOLT	1
10	TCP-1853		12-0044		M22 BANJO	1
9	TCP-2986		12-2986		DIP STICK	1
8	TCP-1930		61-0013		DIPSTICK TUBE ASSY	1
7	TCP-2807		60-0067		LITTLE PAL HAND PUMP	1
6	TCP-2983		12-2891		REGULATOR DUCATI HATZ 12V	1
5	TCP-3428 SA				SOUND BOX - HATZ 1B20 - LARGE	1
4	TCP-2982 SA		SA-2982		SUMP SOUND BOX	1
3	TCP-2877		SA-2877		HATZ 1B20 ENGINE ASSY MECC-ALTE	1
2	TCP-3423		30-3425		INSULATION - ENGINE MOUNTING PLATE - HATZ 1B20 - LARGE	1
1	TCP-3092		12-3092		ENGINE MOUNTING PLATE 12MM - HATZ 1B20	1

UNCONTROLLED DOCUMENT
CHECK FOR AMENDMENTS BEFORE USE

DRAWN: RC DATE: 13/11/2008 CHECKED:	TITLE: ECOLITE ENGINE & SOUND BOX ASSY - HATZ 1B20 MECC-ALTE DRG NO: TCP-2875-01 SHEET 1 OF 1	STOCK NO: SA-2875-01
---	---	----------------------

MATERIAL: TAYLOR CONSTRUCTION PLANT LTD. DIMENSIONS IN MM FINISH: CLEAN & DEBURR GENERAL: 1:0.5 PROFILES: 1:0.2	SCALE: NTS DIMENSIONS IN MM FINISH: CLEAN & DEBURR GENERAL: 1:0.5 PROFILES: 1:0.2	STOCK NO.: TCP-2875-01 KIT:
---	---	--------------------------------

ISS	DESCRIPTION	DATE
A	INITIAL ISSUE	17/07/2008
B	SEE DCA 00369	12/12/2008
C	SEE DCA 00537	04/08/2010



15	BS 4320 - M10 (FORM C)	01-0248	BRIGHT METAL WASHER - METRIC SERIES	3
14	BS 4320 - M10 (FORM A)		BRIGHT METAL WASHER - METRIC SERIES	2
13	BS 4320 - M6 (FORM A)	02-0004	BRIGHT METAL WASHER - METRIC SERIES	3
12	ISO 7040 - M8	01-0017	HEX NUT WITH TORQUE PART	3
11	TCP-3407	01-3407	M8 X 30 - EQUAL LENGTH STUD	3
10	ISO 4762 - M10 X 30	01-0180	HEXAGON SOCKET HEAD CAP SCREW	2
9	ISO 4017 - M10 X 55	01-0197	HEXAGON HEAD SCREW	3
8	ISO 4032 - M10	01-0055	HEXAGON FULL NUT	1
7	10.5X50X1.5	03-0219	WASHER	4
6	TCP-3093	12-3093	ALTERNATOR MOUNT CROSS BAR - HATZ 1B20	1
5	TCP-3094	12-3094	AV MOUNT - M10 - 40 SHORE SOLID	4
4	TCP-3062	30-3062	ALTERNATOR FOAM STRIP	1
3	TCP-2879	12-2891	EXHAUST GASKET - 1B20	3
2	TCP-2890 SA	71-2890	ALTERNATOR - MECCALTE - TCP SPEC	1
1	TCP-2891 SA	12-2891	ENGINE - 1B20 - TCP SPEC	1
ITEM	DRG. NO.	STOCK NO.	DESCRIPTION	QTY

MATERIAL		SCALE	1:4	DIMENSIONS IN MM		GENERAL ± 0.5		ANGLES ± 1/2°		THIRD ANGLE
FINISH		CLEAN & DEBURR								
TAYLOR CONSTRUCTION PLANT LTD. QUAYSIDE PARK, BRISTOL, AVON, WALDON, ESSEX, CH65 5FA, TEL +441621 850777 FAX +441621 843330 WWW.TCP.EU.COM										
DRAWN			CR			DATE		17/07/2008		CHECKED
TITLE			HATZ 1B20 ENGINE ASSY MECC-ALTE							
DRG. NO.			TCP-2877			SHEET		1		STOCK NO
										SA-2877
OF 1										
A3										

UNCONTROLLED DOCUMENT
CHECK FOR AMMENDMENTS BEFORE USE

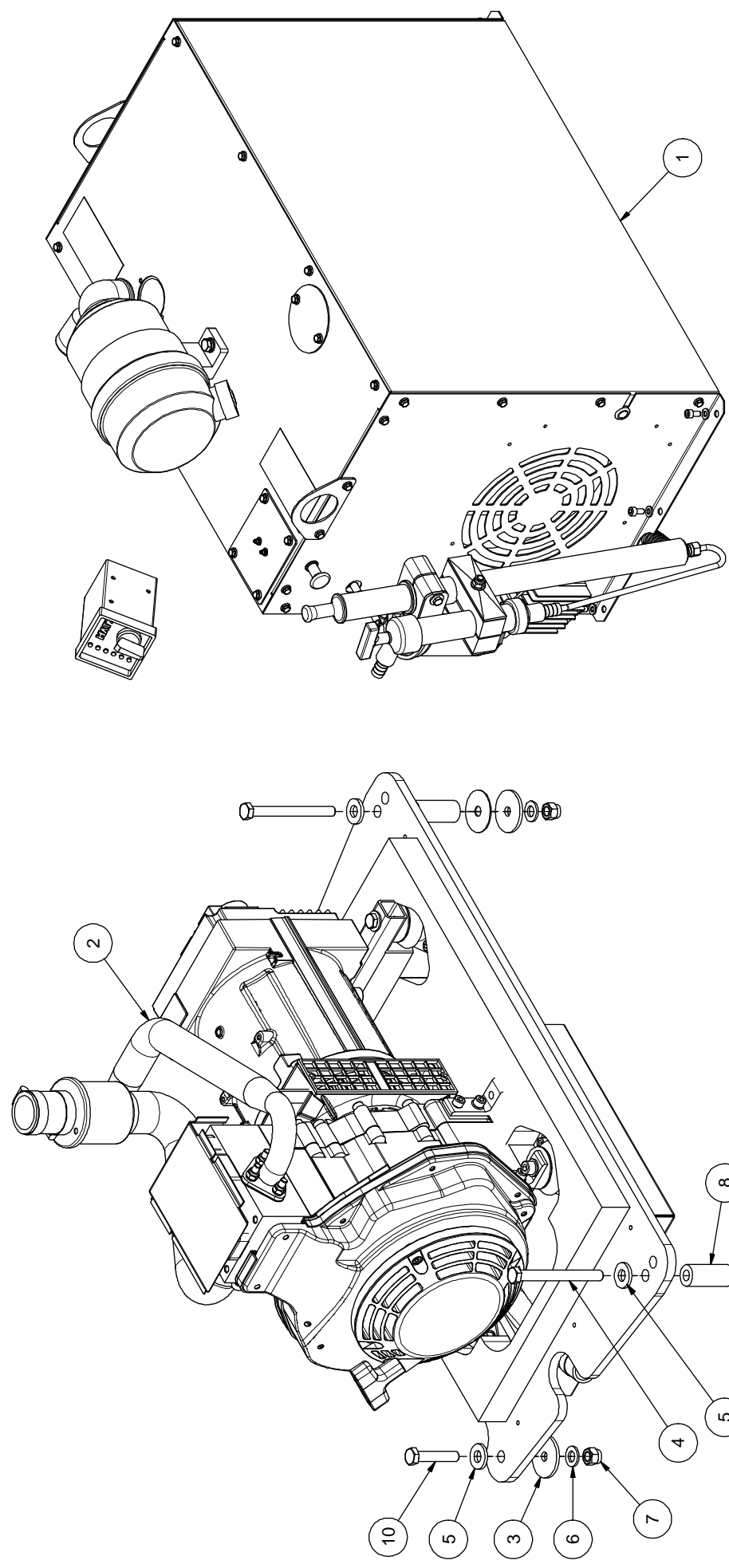
THIS DRAWING IS THE PROPERTY OF TAYLOR CONSTRUCTION PLANT LTD. AND MUST NOT BE REPRODUCED OR DISCLOSED EXCEPT AS AUTHORISED IN WRITING BY TAYLOR CONSTRUCTION PLANT LTD.

ECOLITE-T

SINCRO ALTERNATOR

Version - 2

ISS	DESCRIPTION	DATE
A	INITIAL ISSUE	09/06/2010



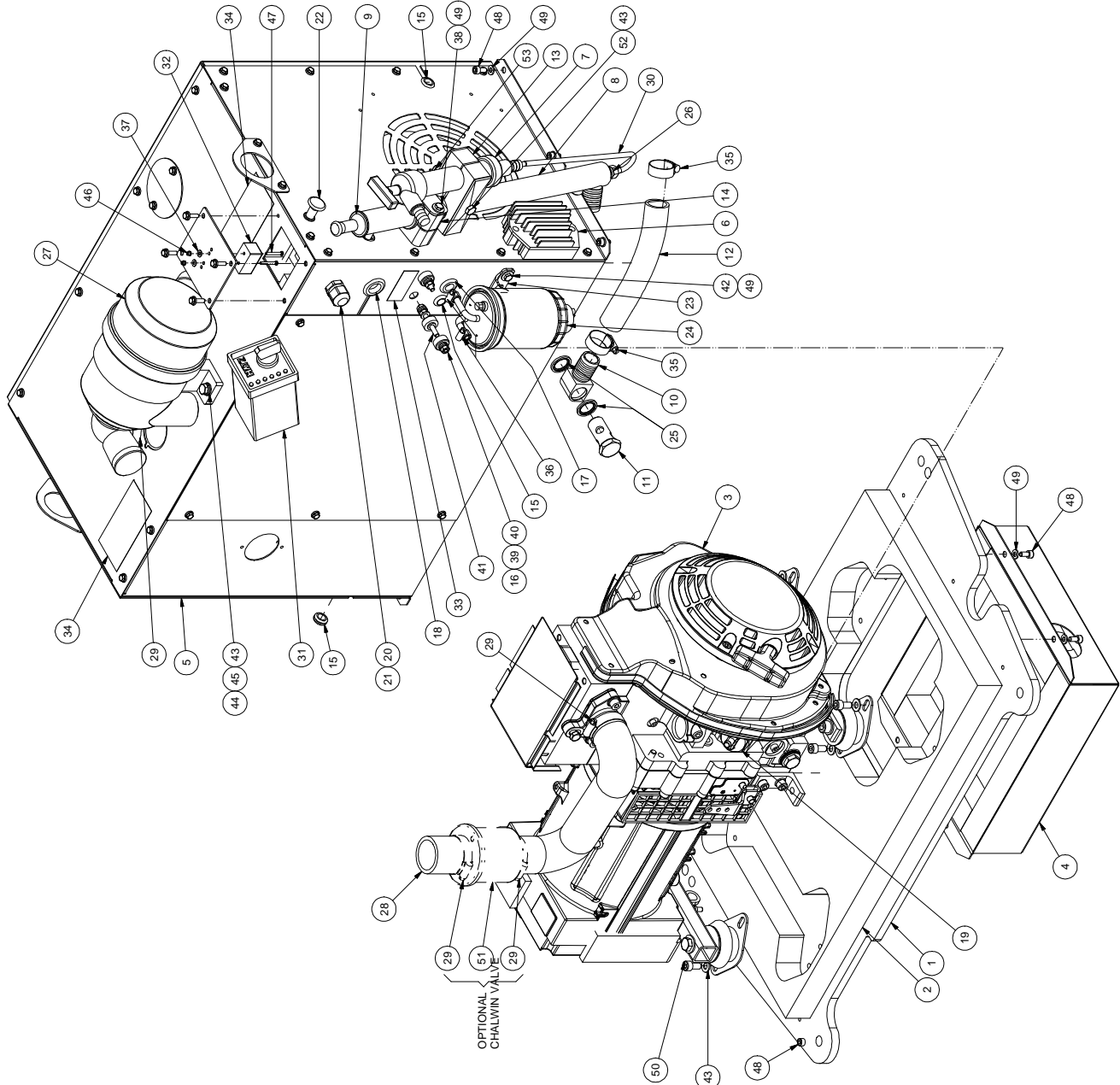
ITEM	DRG. NO.	STOCK NO.	DESCRIPTION	QTY
10	ISO 4017 - M12 X 60	01-0054	HEXAGON HEAD SCREW	2
9	TCP-3205	02-3205	WASHER M12X50X1.5	2
8	TCP-2896	51 - 2896	ENGINE MOUNTING PILLAR	2
7	ISO 7040 - M12	01-0038	HEX NUT WITH TORQUE PART	4
6	BS 4320 - M12 (FORM A)	02-0021	BRIGHT METAL WASHER - METRIC SERIES	4
5	TCP-2030	02-0044	WASHER M12X30X4	4
4	ISO 4017 - M12 X 120	01-0068	HEXAGON HEAD SCREW	2
3	TCP-2404	03-0055	PU WASHER Ø50 X 4THK Ø11 HOLE	4
2	TCP-2878	10-2878	EXHAUST PIPE - 1B20	1
1	TCP-2875-02	SA-2875-02	ECOLITE ENGINE & SOUND BOX ASSY - HATZ 1B20 - SINCRO	1

MATERIAL	SCALE	1:5	DRAWN	CDR	TITLE	ECOLITE 2 POWER UNIT - HATZ 1B20 - SINCRO		
	DIMENSIONS IN MM	TOL'S:		DATE		09/06/2010	DRG. NO.	TCP-3029-03
FINISH	CLEAN & DEBURR	GENERAL ± 0.5	CHECKED		STOCK NO.	SA-3029-03	SHEET	1
		ANGLES ± 1/2°			OF	1		

UNCONTROLLED DOCUMENT
CHECK FOR AMMENDMENTS BEFORE USE

A3

ISS	DESCRIPTION	DATE
A	INITIAL ISSUE	09/06/2010
B	SEE DCA 00549	11/08/2010
C	SEE DCA 00583	14/01/2011

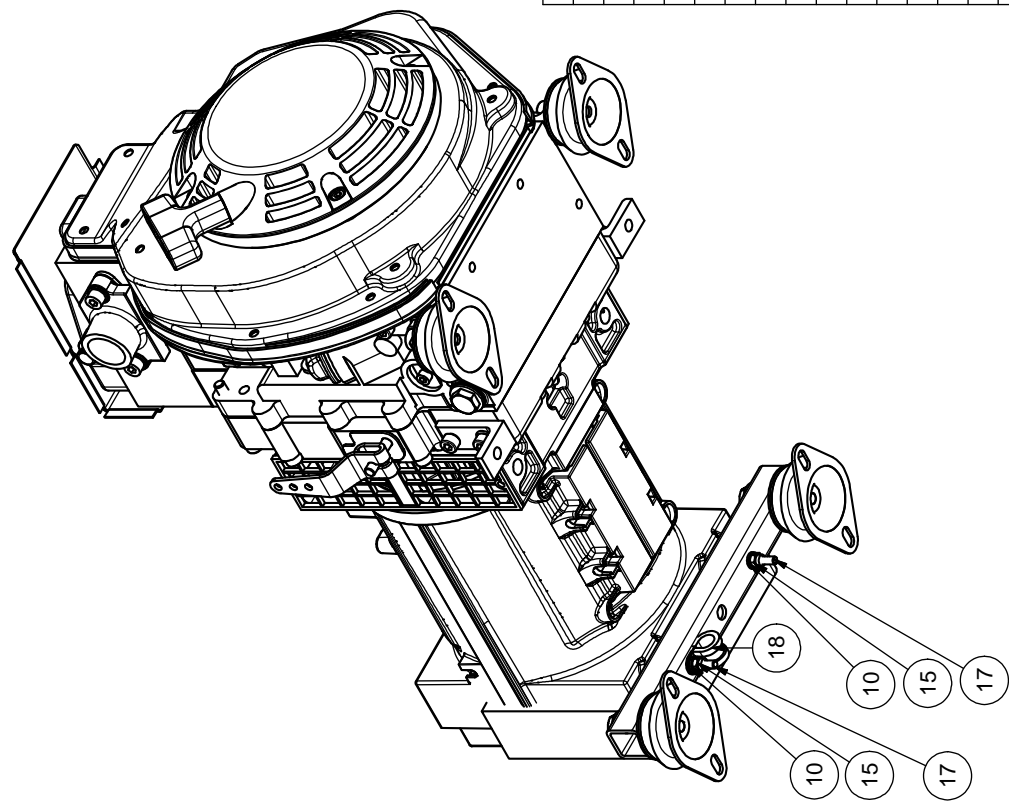
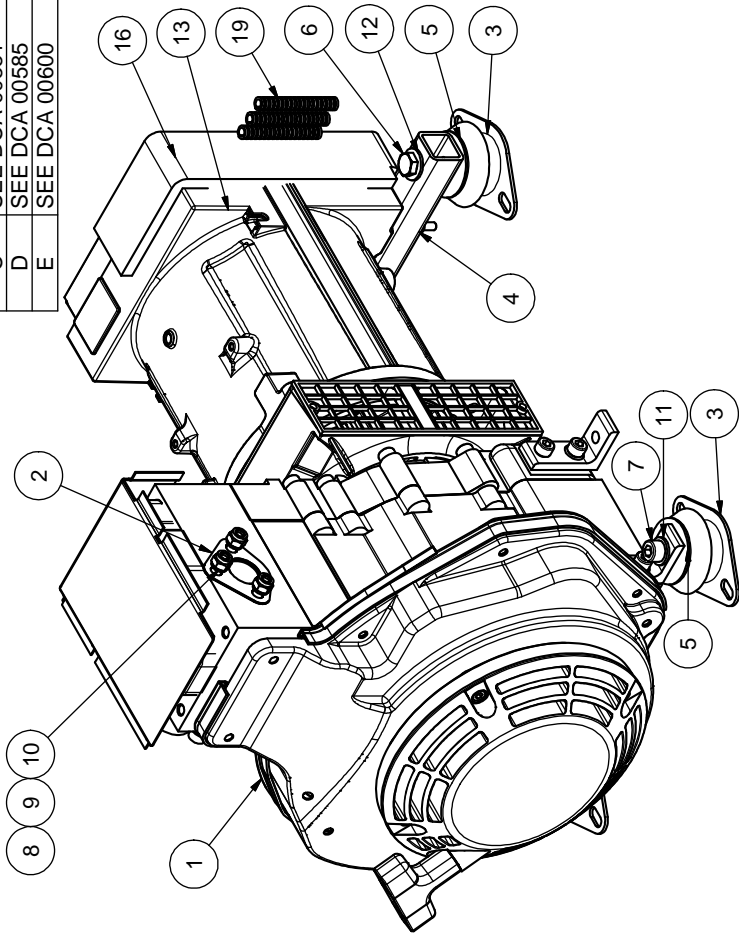


ITEM	SCALE	NTS	DRG. NO.	STOCK NO.	KIT	DESCRIPTION	QTY
53	ISO 7040 - M8		01-0017			HEX NUT WITH TORQUE PART	1
52	ISO 4014 - M8 X 80		01-3208			HEXAGON HEAD BOLT - PRODUCT GRADES A AND B	1
51	TCP-2809		10-0066			CHALWIN VALVE	1
50	ISO 4762 - M8 X 16		01-0033			HEXAGON SOCKET HEAD CAP SCREW	8
49	BS 4320 - M6 (FORM A)	"VARIES"				BRIGHT METAL WASHER - METRIC SERIES	15
48	ISO 4762 - M6 X 12		01-0065			HEXAGON SOCKET HEAD CAP SCREW	11
47	ISO 7045 - M3 X 25 - 4.8 - Z		01-0168			PAN HEAD SCREW - GRADE A	2
46	ISO 7040 - M3		01-0032			HEX NUT WITH TORQUE PART	2
45	BS 4464 - M8 FORM B		02-0012			SPRING WASHER - METRIC SERIES	2
44	ISO 4017 - M8 X 30		01-0012			HEXAGON HEAD SCREW	2
43	BS 4320 - M8 (FORM A)	"VARIES"				BRIGHT METAL WASHER - METRIC SERIES	11
42	ISO 4017 - M6 X 20		01-0002			HEXAGON HEAD SCREW	2
41	ISO 4017 - M6 X 50 ST/ST		01-0148			HEXAGON HEAD SCREW	2
40	ISO 4032 - M6 S7/ST		01-0149			HEXAGON FULL NUT	4
39	BS 4320 - M6 (FORM A) ST/ST	02-0037				BRIGHT METAL WASHER - METRIC SERIES	10
38	ISO 4014 - M6 X 75	01-0177				HEXAGON HEAD BOLT - PRODUCT GRADES A AND B	2
37	BS 4320 - M4 (FORM A)		02-0028			BRIGHT METAL WASHER - METRIC SERIES	2
36	TCP-3202		03-0064			JUBILEE HOSE CLIP 08 - 12MM	2
35	TCP-2796		10-0082			JUBILEE HOSE CLIP 30 - 40MM	2
34	TCP-1093		80-0043			DECAL, DANGER FALLING HAZARD	2
33	TCP-2999		80-2999			DECAL, 12V DC	1
32	TCP-2976		71-0284			4 WAY TERMINAL BLOCK	1
31	TCP-2820		12-2891			HATZ ENGINE CONTROLLER	1
30	TCP-2898		62-0149			OIL DRAIN PIPE	1
29	TCP-2992		10-0080			JUBILEE HOSE CLIP 35 - 50MM	4
28	TCP-2895		10-2895			AIR INTAKE TUBE	1
27	TCP-2897		10-2897			AIR FILTER	1
26	TCP-2125		62-0148			1/4 BSPT TO 1/4 INCH COMPRESSION	1
25	TCP-2984		62-0147			22MM BONDED WASHER	2
24	TCP-2988		14-0128			HATZ FUEL FILTER	1
23	TCP-2985		14-2985			BRACKET - HATZ FUEL FILTER	1
22	TCP-2808		42-0015			PULL STOP	1
21	TCP-2110		71-0036			M20 CABLE GLAND NUT	1
20	TCP-2109		71-0035			M20 INDEX CABLE GLAND	1
19	TCP-2332		12-0066			ASSY BUNG FOR ENGINE BREATHER HATZ	1
18	TCP-2397		03-0056			25.4MM GROMMET	1
17	TCP-2150		03-0046			12.7MM GROMMET	1
16	TCP-1620		12-0027			INSULATOR JUMP START	4
15	TCP-2107		03-0045			11.11MM GROMMET	3
14	TCP-2039		61-0012			32 DIA SERIES A LIGHT DUTY CLAMP	1
13	TCP-2023		61-0011			32 DIA SERIES B CLAMP	1
12	TCP-3635		12-3635			SILVERFLEX HOSE - ENGINE SUMP	1
11	TCP-1854		12-0045			M22 BANJO BOLT	1
10	TCP-1853		12-0044			M22 BANJO	1
9	TCP-2986		12-2986			DIP STICK	1
8	TCP-1930		61-0013			DIPSTICK TUBE ASSY	1
7	TCP-2807		60-0067			LITTLE PAL HAND PUMP	1
6	TCP-2983		12-2891			REGULATOR DUCATI HATZ 12V	1
5	TCP-3428 SA					SOUND BOX - HATZ 1B20 - LARGE	1
4	TCP-2982 SA		SA-2982			SUMP SOUND BOX	1
3	TCP-2877-02		SA-2877-02			HATZ 1B20 ENGINE ASSY SINGRO	1
2	TCP-3423		30-3425			INSULATION - ENGINE MOUNTING PLATE - HATZ 1B20 - LARGE	1
1	TCP-3092		51-3424			ENGINE MOUNTING PLATE 12MM - HATZ 1B20	1

UNCONTROLLED DOCUMENT
CHECK FOR AMENDMENTS BEFORE USE

DRWING IS THE PROPERTY OF TAYLOR CONSTRUCTION PLANT LTD. AND MUST NOT BE REPRODUCED OR DISCLOSED EXCEPT AS AUTHORIZED BY TAYLOR CONSTRUCTION PLANT LTD.	DRG. NO.	TCP-2875-02	SHEET 1	STOCK NO.	
SCALE	NTS	DRG. NO.	STOCK NO.	DESCRIPTION	QTY
DRAWN: CDR DATE: 09/06/2010 CHECKED:					
TITLE: ECOLITE ENGINE & SOUND BOX ASSY - HATZ 1B20 - SINGRO TAYLOR CONSTRUCTION PLANT LTD. GARDEN ROAD, WOODSIDE, CHERRYVALE, NSW 2122 TEL: +61 (0)2 9618 8888 FAX: +61 (0)2 9618 8889 WWW.TCP.COM.AU					
FINISH: CLEAN & DEBURR					
DIMENSIONS IN MM TOL: GENERAL: 0.05 FINISH: 0.02 PROFILES: 0.102					
SHEET 1 OF 1 STOCK NO. TCP-2875-02 SA-2875-02					

ISS	DESCRIPTION	DATE
B	SEE DCA 00538	04/08/2010
C	SEE DCA 00551	12/08/2010
D	SEE DCA 00585	20/01/2011
E	SEE DCA 00600	10/03/2011

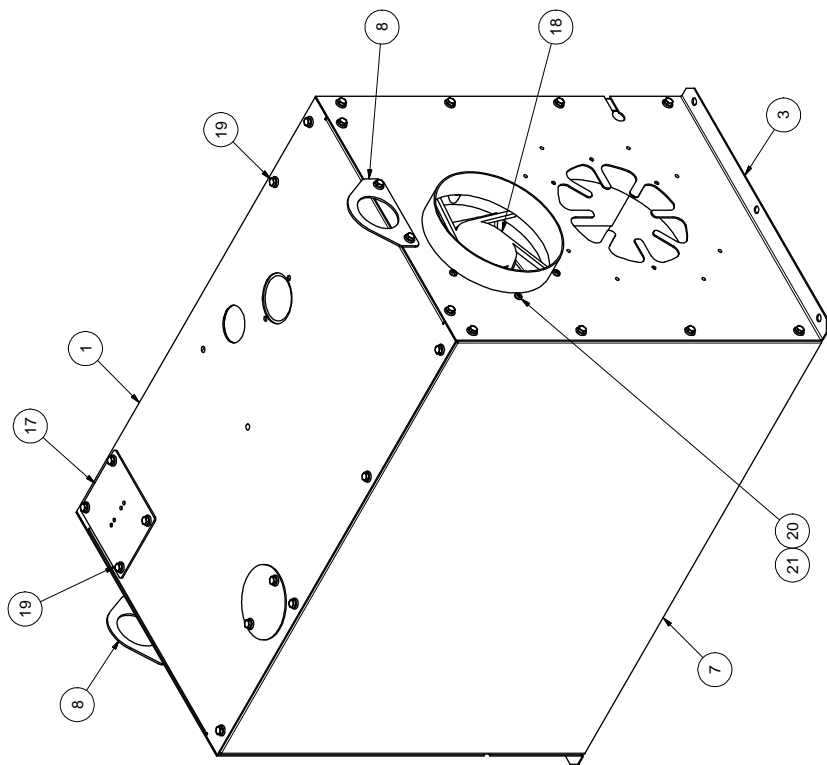
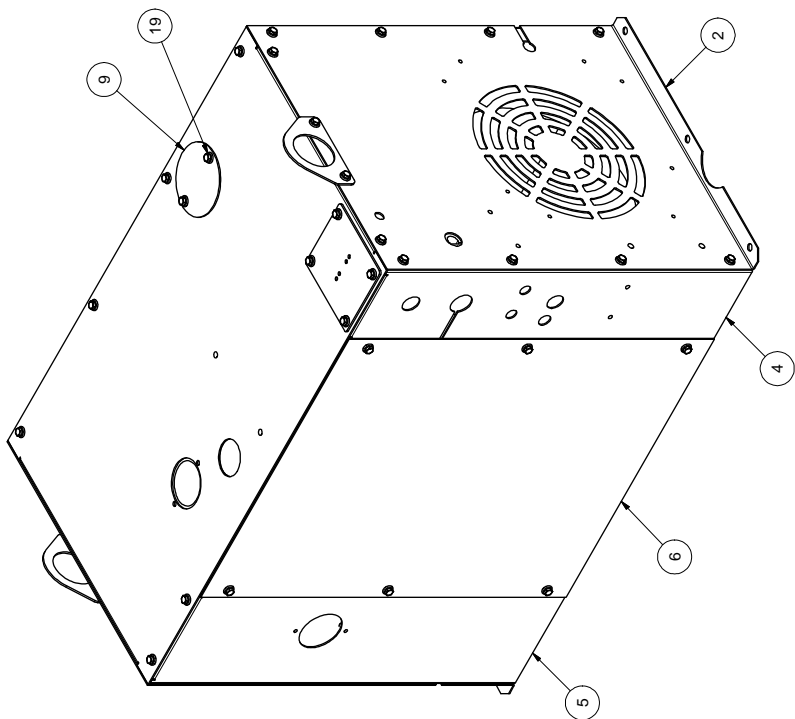


ITEM	DRG. NO.	STOCK NO.	KIT	DESCRIPTION	QTY
19	TCP-3598	73-3597		CABLE SLEEVING 70MM LG	3
18	TCP-3515	03-0057		P-CLIP Ø14	1
17	ISO 4014 - M6 X 60	01-0089		HEXAGON HEAD BOLT - PRODUCT GRADES A AND B	2
16	TCP-3429	30-3429		SINCRO ALTERNATOR FOAM STRIP	1
15	ISO 7040 - M6	01-0017		HEX NUT WITH TORQUE PART	2
13	TCP-3358	71-3358		SINCRO ER2 CAT 4.2KVA 115/230 B3/B9 23MM	1
12	BS 4320 - M10 (FORM C)	01-0248		BRIGHT METAL WASHER - METRIC SERIES	2
11	BS 4320 - M10 (FORM A)	02-0002		BRIGHT METAL WASHER - METRIC SERIES	2
10	BS 4320 - M6 (FORM A)	02-0004		BRIGHT METAL WASHER - METRIC SERIES	5
9	ISO 7040 - M8	01-0017		HEX NUT WITH TORQUE PART	3
8	TCP-3407	01-3407		M8 X 30 - EQUAL LENGTH STUD	3
7	ISO 4762 - M10 X 30	01-0180		HEXAGON SOCKET HEAD CAP SCREW	2
6	ISO 4017 - M10 X 55	01-0197		HEXAGON HEAD SCREW	2
5	10.5X50X1.5	03-0219		WASHER	4
4	TCP-3093	12-3093		ALTERNATOR MOUNT CROSS BAR - HATZ 1B20	1
3	TCP-3094	12-3094		AV MOUNT - M10 - 40 SHORE SOLID	4
2	TCP-2879	12-2891		EXHAUST GASKET - 1B20	3
1	TCP-2891 SA	12-2891		ENGINE - 1B20 - TCP SPEC	1

UNCONTROLLED DOCUMENT
CHECK FOR AMMENDMENTS BEFORE USE

MATERIAL		SCALE 1:4		DRAWN CR		TITLE HATZ 1B20 ENGINE ASSY SINCRO		THIRD ANGLE	
FINISH CLEAN & DEBURR		DIMENSIONS IN MM GENERAL ± 0.5 ANGLES ± 1/2°		DATE 07/06/2010		DRG. NO. TCP-2877-02		SHEET 1 STOCK NO SA-2877-02	
		TAYLOR CONSTRUCTION PLANT LTD. QUAYSIDE PARK, BRISTOL, AVON, WALTON, ESSEX, CM8 5FA, TEL +441621 850777 FAX +441621 843330 WWW.TCP.EU.COM		CHECKED		TCP-2877-02		OF 1	

ISS	DESCRIPTION	DATE
A	INITIAL ISSUE	18/07/2008
B	SEE DCA.00288	26/08/2008
C	SEE DCA.00316	08/10/2008
D	SEE DCA.00434	19/10/2009

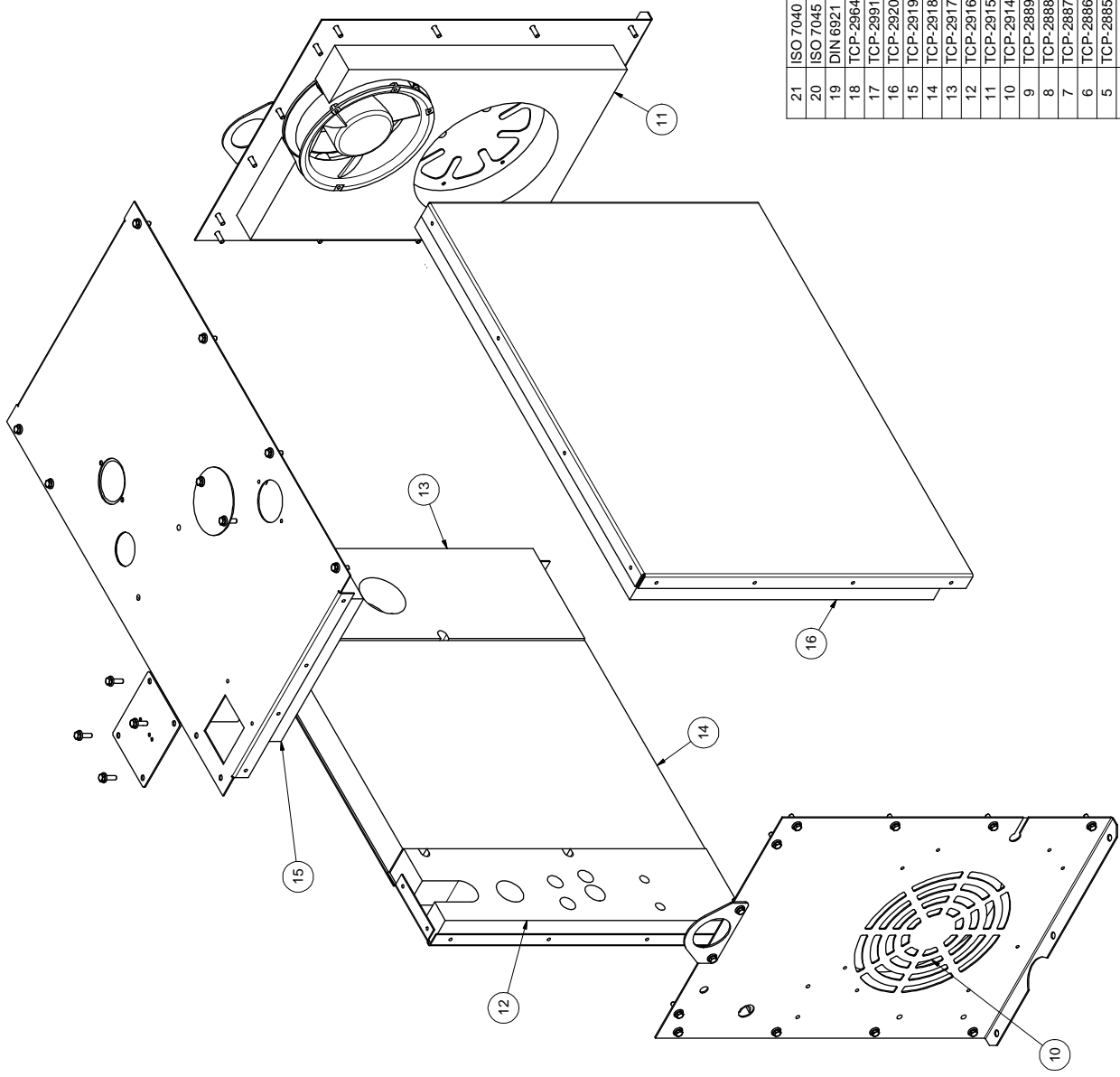


ITEM	SCALE	DRG. NO.	STOCK NO.	KIT	DESCRIPTION	QTY
21	ISO 7040 - M4	01-0019			HEX NUT WITH TORQUE PART	4
20	ISO 7045 - M4 X 20 - 4.8 - Z	01-0181			PAN HEAD SCREW - GRADE A	4
19	DIN 6921 - M5 X 16	01-0175			HEXAGON FLANGED BOLT	42
18	TCP-2964	12-0303			12 VOLT FAN	1
17	TCP-2991		51-2908		TERMINAL BLOCK COVER	1
16	TCP-2920		30-2930		INSULATION - SOUND BOX	1
15	TCP-2919		30-2930		INSULATION - SOUND BOX	1
14	TCP-2918		30-2930		INSULATION - SOUND BOX	1
13	TCP-2917		30-2930		INSULATION - SOUND BOX	1
12	TCP-2916		30-2930		INSULATION - SOUND BOX	1
11	TCP-2915		30-2930		INSULATION - SOUND BOX	1
10	TCP-2914		30-2930		INSULATION - SOUND BOX	1
9	TCP-2889		51-2908		EXHAUST BLANKING PLATE	1
8	TCP-2888		51-2908		LIFTING BRACKET	2
7	TCP-2887		51-2887		BACK PANEL, 1B20 ENGINE BOX	1
6	TCP-2886		51-2908		DOOR	1
5	TCP-2885		51-2908		FRONT PILLAR - LH	1
4	TCP-2884		51-2884		FRONT PILLAR - RH	1
3	TCP-3291		51-2908		END PLATE ASSY - LH, DESERT PACK	1
2	TCP-3293		51-2908		END PLATE - RH, DESERT PACK	1
1	TCP-2881		51-2908		TOP	1

UNCONTROLLED DOCUMENT
CHECK FOR AMMENDMENTS BEFORE USE

MATERIAL		SCALE 1:4		DRAWN RC		THIRD ANGLE	
FINISH CLEAN & DEBURR POWDER COAT SATIN BLACK RAL 9005		EMERSONS IN MM		TAYLOR CONSTRUCTION PLANT LTD.		TITLE SOUND BOX - HATZ 1B20	
TOL: GENERAL: 0.5		TOL: 0.1		DATE: 18/07/2008		STOCK NO.	
PROCS: 1/12		PROCS: 1/12		CHECKED		SHEET 1 OF 2	
DRG. NO. TCP-2880 SA		DRG. NO. TCP-2880 SA		STOCK NO. SA-2880		A2	

ISS	DESCRIPTION	DATE
A	INITIAL ISSUE	18/07/2008
B	SEE DCA 00288	26/08/2008
C	SEE DCA 00316	08/10/2008
D	SEE DCA 00434	19/10/2009



ITEM	SCALE	DRG. NO.	STOCK NO.	DESCRIPTION	QTY
21	ISO 7040 - M4		01-0019	HEX NUT WITH TORQUE PART	4
20	ISO 7045 - M4 X 20 - 4.8 - Z		01-0181	PAN HEAD SCREW - GRADE A	4
19	DIN 6921 - M5 X 16		01-0175	HEXAGON FLANGED BOLT	42
18	TCP-2964		12-0303	12 VOLT FAN	1
17	TCP-2991		51-2908	TERMINAL BLOCK COVER	1
16	TCP-2920		30-2930	INSULATION - SOUND BOX	1
15	TCP-2919		30-2930	INSULATION - SOUND BOX	1
14	TCP-2918		30-2930	INSULATION - SOUND BOX	1
13	TCP-2917		30-2930	INSULATION - SOUND BOX	1
12	TCP-2916		30-2930	INSULATION - SOUND BOX	1
11	TCP-2915		30-2930	INSULATION - SOUND BOX	1
10	TCP-2914		30-2930	INSULATION - SOUND BOX	1
9	TCP-2889		51-2908	EXHAUST BLANKING PLATE	1
8	TCP-2888		51-2908	LIFTING BRACKET	2
7	TCP-2887		51-2887	BACK PANEL, 1B20 ENGINE BOX	1
6	TCP-2886		51-2908	DOOR	1
5	TCP-2885		51-2908	FRONT PILLAR - LH	1
4	TCP-2884		51-2884	FRONT PILLAR - RH	1
3	TCP-3291		51-2908	END PLATE ASSY - LH, DESERT PACK	1
2	TCP-3293		51-2908	END PLATE - RH, DESERT PACK	1
1	TCP-2881		51-2908	TOP	1

DRAWN: RC
 DATE: 18/07/2008
 CHECKED:

TITLE: SOUND BOX - HATZ 1B20
 DRG. NO.: TCP-2880 SA
 SHEET 2 OF 2
 STOCK NO. SA-2880

SCALE: 1:4
 DIMENSIONS IN MM
 TOL: GENERAL: 0.5
 FINISH: CLEAN & DEBURR
 PROCS: 1/1Z

MATERIAL:

TAYLOR CONSTRUCTION PLANT LTD.
 100, WALSLEY ROAD, WALSLEY, S61 2BA, UK
 TEL: +44 (0)1924 616161 FAX: +44 (0)1924 616162
 WWW.TCP.CO.UK

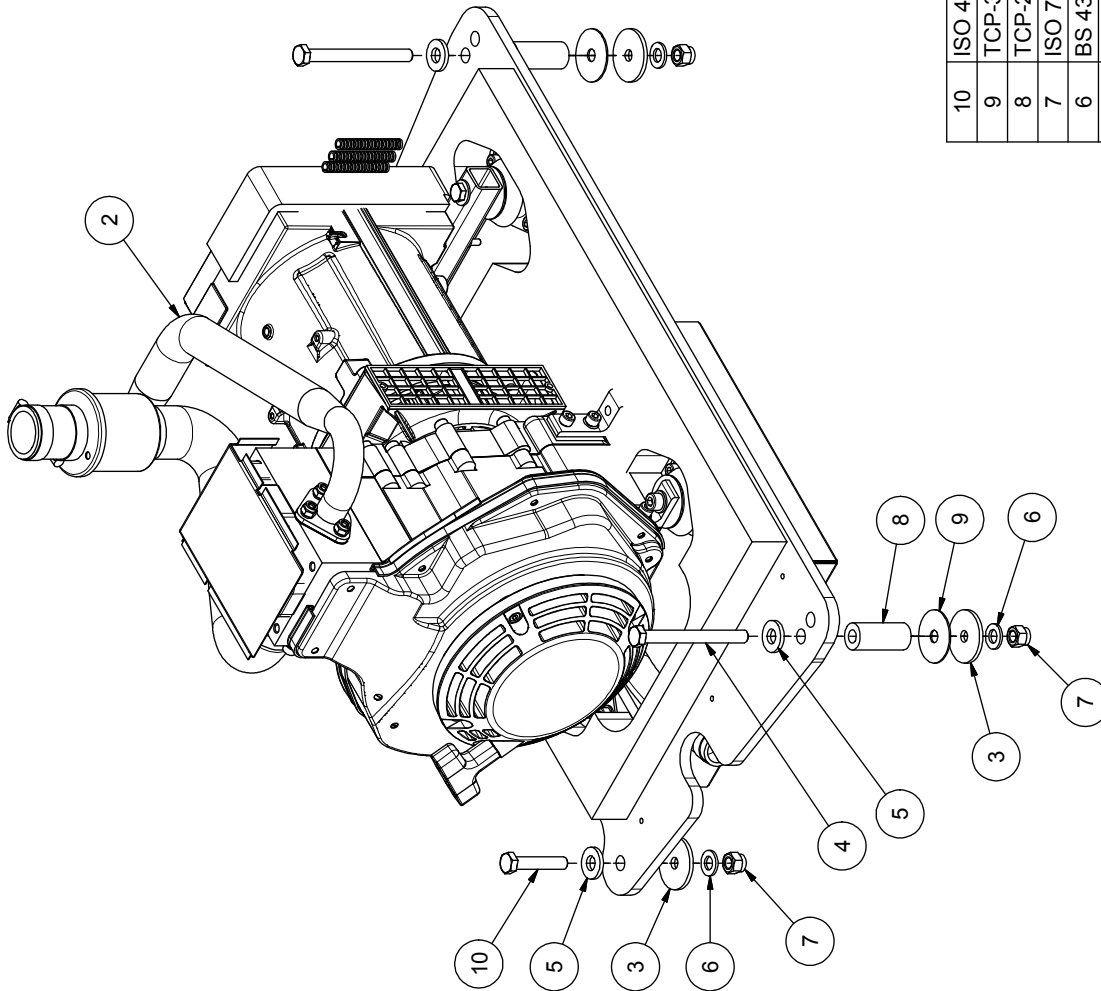
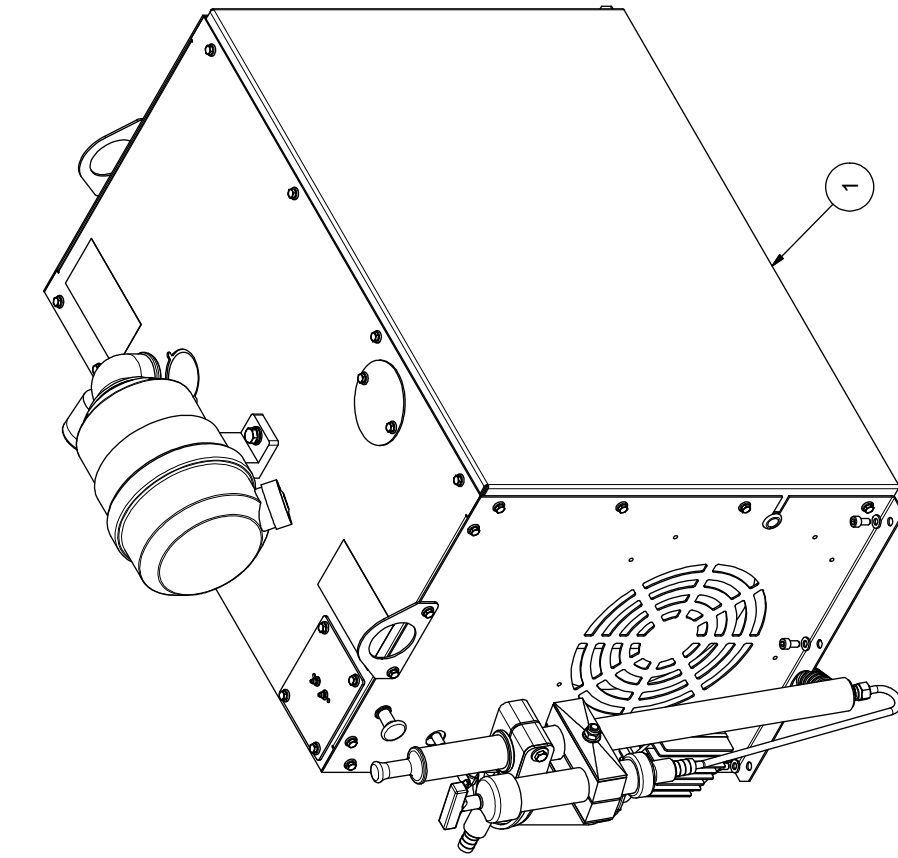
UNCONTROLLED DOCUMENT
 CHECK FOR AMMENDMENTS BEFORE USE

ECOLITE-T v3

SINCRO ALTERNATOR

2012 ENGINE

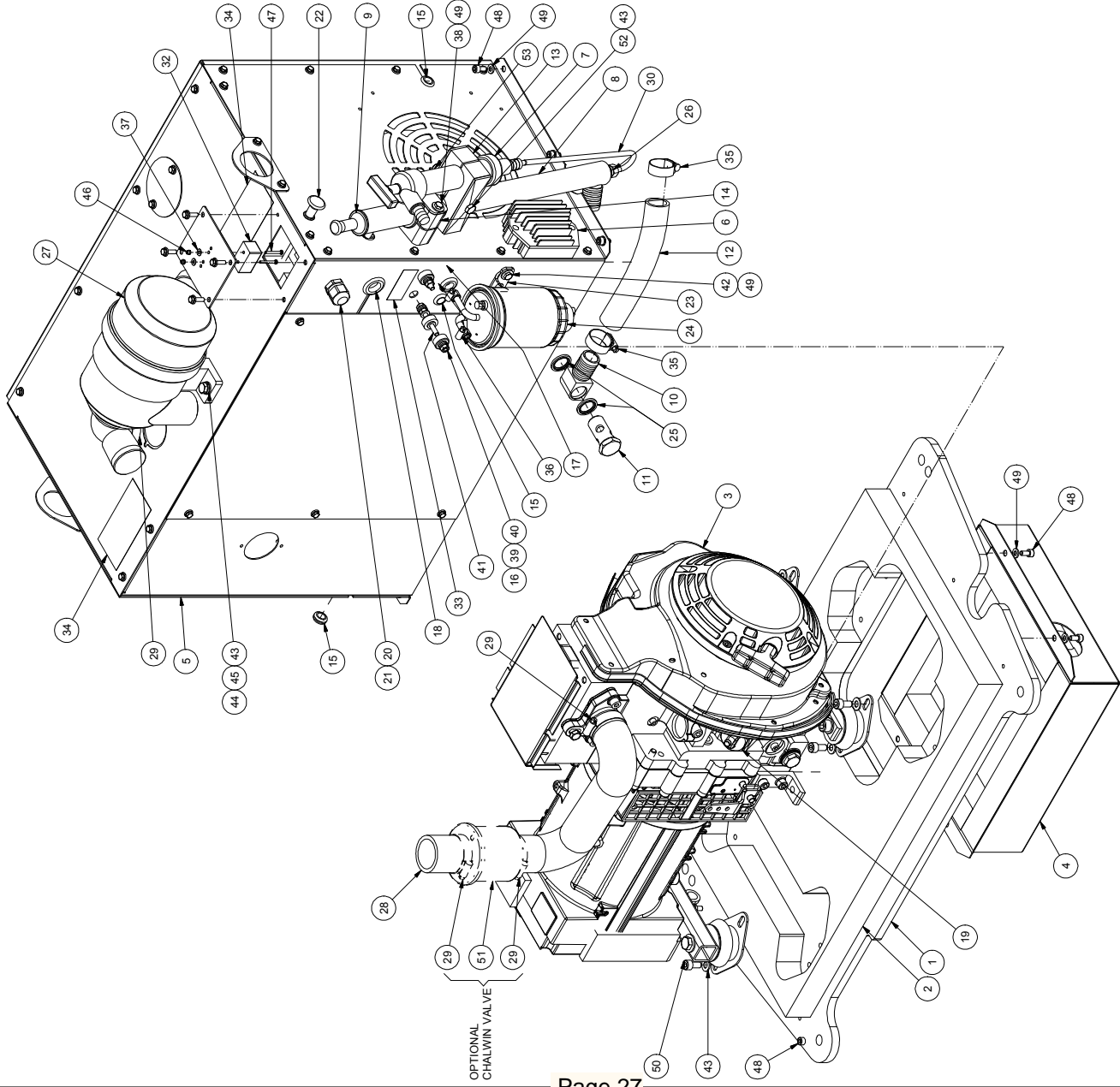
ISS	DESCRIPTION	DATE
A	INITIAL ISSUE	28/11/2011



ITEM	DRG. No.	STOCK No.	DESCRIPTION	QTY
10	ISO 4017 - M12 x 60	01-0054	HEXAGON HEAD SCREW	2
9	TCP-3205	02-3205	WASHER M12x50x1.5	2
8	TCP-2896	51 - 2896	ENGINE MOUNTING PILLAR	2
7	ISO 7040 - M12	01-0038	HEX NUT WITH TORQUE PART	4
6	BS 4320 - M12 (Form A)	02-0021	BRIGHT METAL WASHER - METRIC SERIES	4
5	TCP-2030	02-0044	WASHER M12x30x4	4
4	ISO 4017 - M12 x 120	01-0068	HEXAGON HEAD SCREW	2
3	TCP-2404	03-0055	PU WASHER Ø50 x 4Thk Ø11 HOLE	4
2	TCP-2878	10-2878	EXHAUST PIPE - 1B20 - ECOLITE T	1
1	TCP-3767-01	SA-3767-01	ECOLITE ENGINE & SOUND BOX ASSY - HATZ 1B20 2012	1
			DESCRIPTION	QTY

MATERIAL	SCALE	1:5	DRAWN	CDR	TITLE	ECOLITE T POWER UNIT - HATZ 1B20 2012	
	DIMENSIONS IN	mm		DATE		28/11/2011	
FINISH	TOLS:	GENERAL ± 0.5	CHECKED	TCP-3768-01	STOCK No.	SA-3768-01	
	ANGLES	± 1/2°				SHEET	1

UNCONTROLLED DOCUMENT
CHECK FOR AMMENDMENTS BEFORE USE

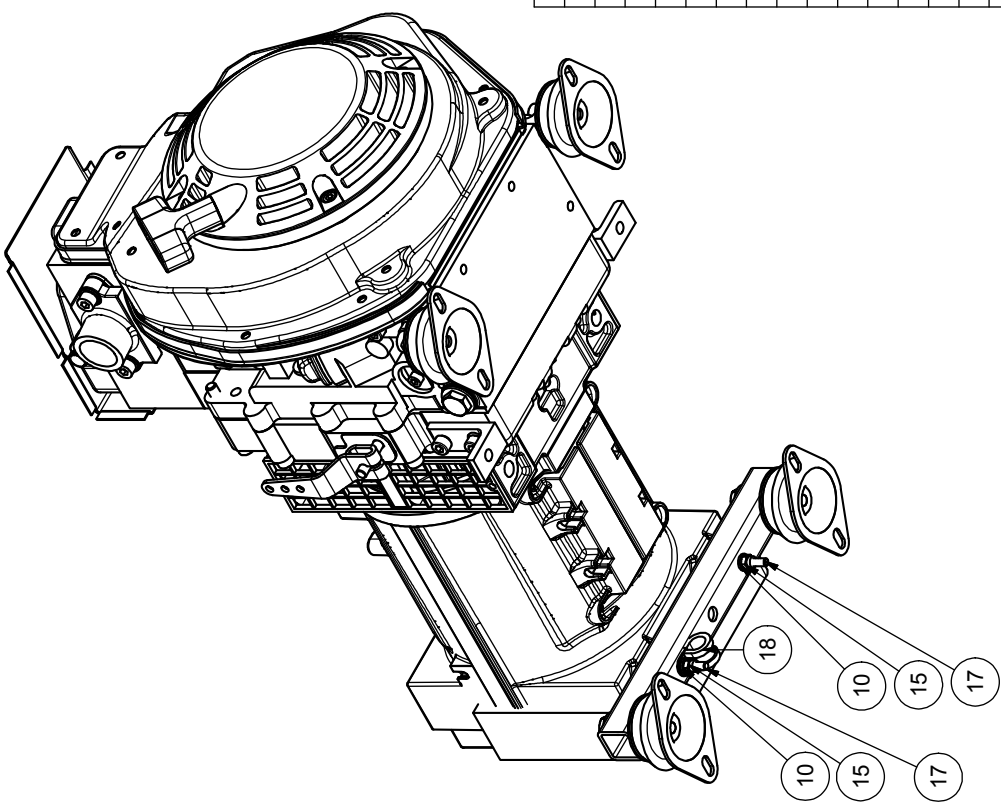
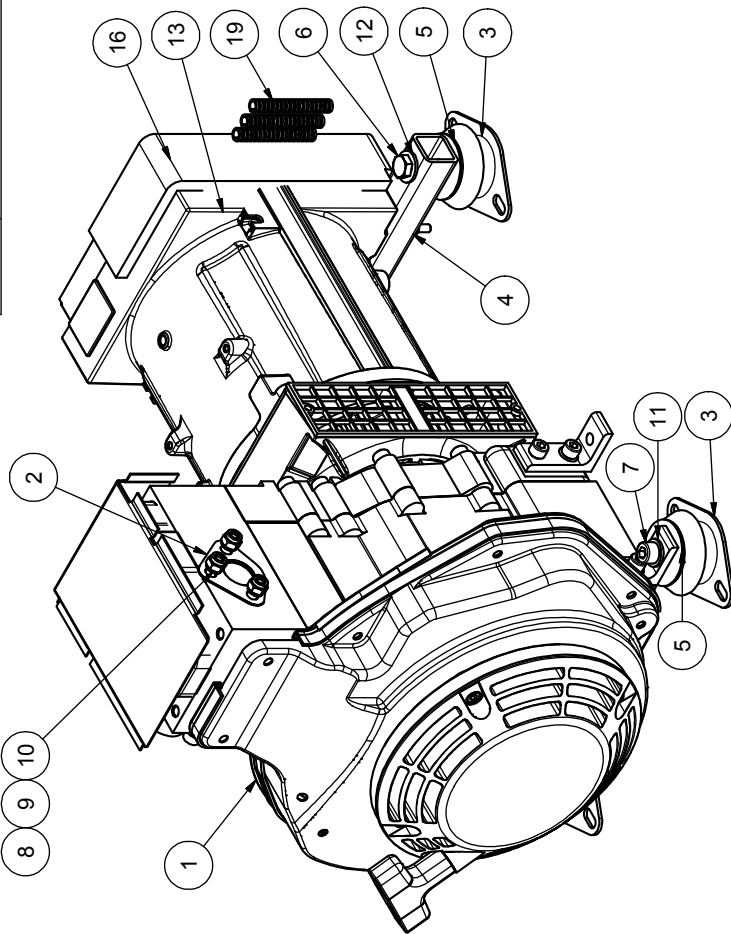


ITEM	SCALE	NTS	DRG. No.	STOCK No.	KIT	DESCRIPTION	QTY
53	ISO 7040 - M8	01-0017				HEX NUT WITH TORQUE PART	1
52	ISO 4014 - M8 x 80	01-3208				HEXAGON HEAD BOLT - PRODUCT GRADES A and B	1
51	TCP-2809	10-0066				CHALWIN VALVE	1
50	ISO 4762 - M8 x 16	01-0033				HEXAGON SOCKET HEAD CAP SCREW	8
49	BS 4320 - M6 (Form A)	*Varies*				BRIGHT METAL WASHER - METRIC SERIES	15
48	ISO 4762 - M6 x 12	01-0065				HEXAGON SOCKET HEAD CAP SCREW	11
47	ISO 7045 - M3 x 25 - 4.8 - Z	01-0168				PAN HEAD SCREW - GRADE A	2
46	ISO 7040 - M3	01-0032				HEX NUT WITH TORQUE PART	2
45	BS 4464 - M8 Form B	02-0012				SPRING WASHER - METRIC SERIES	2
44	ISO 4017 - M8 x 30	01-0012				HEXAGON HEAD SCREW	2
43	BS 4320 - M8 (Form A)	*Varies*				BRIGHT METAL WASHER - METRIC SERIES	11
42	ISO 4017 - M6 x 20	01-0002				HEXAGON HEAD SCREW	2
41	ISO 4017 - M6 x 50 S/ST	01-0148				HEXAGON HEAD SCREW	2
40	ISO 4032 - M6 S/ST	01-0149				HEXAGON FULL NUT	4
39	BS 4320 - M6 (Form A) S/ST	02-0037				BRIGHT METAL WASHER - METRIC SERIES	10
38	ISO 4014 - M6 x 75	01-0177				HEXAGON HEAD BOLT - PRODUCT GRADES A and B	2
37	BS 4320 - M4 (Form A)	02-0028				BRIGHT METAL WASHER - METRIC SERIES	2
36	TCP-3202	03-0064				JUBILEE HOSE CLIP 08 - 12mm	2
35	TCP-2796	10-0082				JUBILEE HOSE CLIP 30 - 40mm	2
34	TCP-1093	80-0043				DECAL, DANGER FALLING HAZARD	2
33	TCP-2999	80-2999				DECAL 12V DC	1
32	TCP-2976	71-0284				4 WAY TERMINAL BLOCK	1
30	TCP-2898	62-0149				OIL DRAIN PIPE	1
29	TCP-2892	10-0080				JUBILEE HOSE CLIP 35 - 50mm	4
28	TCP-2895	10-2895				AIR INTAKE TUBE	1
27	TCP-2897	10-2897				AIR FILTER	1
26	TCP-2125	62-0148				1/4 BSPT TO 1/4 INCH COMPRESSION	1
25		62-0147				22mm BONDED WASHER	2
24	TCP-2884	14-0128	12-3635			HATZ FUEL FILTER	1
23	TCP-2885	14-2885				BRACKET - HATZ FUEL FILTER	1
22	TCP-2808	42-0015				PULL STOP	1
21	TCP-2110	71-0036				M20 CABLE GLAND NUT	1
20	TCP-2109	71-0035				M20 INDEX CABLE GLAND	1
19	TCP-2332	12-0066				ASSY BUNG FOR ENGINE BREATHER HATZ	1
18	TCP-2397	03-0056				25.4mm GROMMET	1
17	TCP-2150	03-0046				12.7mm GROMMET	1
16	TCP-1620	12-0027				INSULATOR JUMP START	4
15	TCP-2107	03-0045				11.1mm GROMMET	3
14	TCP-2039	61-0012				32 DIA SERIES A LIGHT DUTY CLAMP	1
13	TCP-2023	61-0011				32 DIA SERIES B CLAMP	1
12	TCP-3535	12-3535				SILVERFLEX HOSE - ENGINE SUMP	1
11	TCP-1854	12-0045				M22 BANJO BOLT	1
10	TCP-1853	12-0044				M22 BANJO	1
9	TCP-2896	12-2896				DIP STICK	1
8	TCP-1830	61-0013				DIPSTICK TUBE ASSY	1
7	TCP-2807	60-0067				LITTLE PAL HAND PUMP	1
6	TCP-2883	12-3635				REGULATOR DUCATI HATZ 12V	1
5	TCP-3428 SA					SOUND BOX - HATZ 1B20 - LARGE	1
4	TCP-2892 SA	SA-2882				SUMP SOUND BOX	1
3	TCP-3766-01	SA-3766-01				HATZ 1B20 2012 ENGINE ASSY	1
2	TCP-3423	30-3425				INSULATION - ENGINE MOUNTING PLATE - HATZ 1B20 - LARGE	1
1	TCP-3092	51-3424				ENGINE MOUNTING PLATE 12MM - HATZ 1B20	1

ITEM	SCALE	NTS	DRG. No.	STOCK No.	KIT	DESCRIPTION	QTY
TAYLOR CONSTRUCTION PLANT LTD.							
GARDEN INDUSTRIAL PARK, CHALWIN, CO. DUBLIN 15, IRELAND							
TEL: +353 1 833 8339 WWW.TCP-EDU.COM							
DRAWN: GDR							
DATE: 28/11/2011							
CHECKED:							
TITLE: ECOLITE ENGINE & SOUND BOX ASSY - HATZ 1B20 2012							
DRG. No. TCP-3767-01							
SHEET 1 OF 1							
STOCKING: SA-3767-01							
A2							

UNCONTROLLED DOCUMENT
 CHECK FOR AMMENDMENTS BEFORE USE

ISS	DESCRIPTION	DATE
A	INITIAL ISSUE	28/11/2011



ITEM	DRG. No.	STOCK No.	DESCRIPTION	QTY
19	TCP-3598	73-3597	CABLE SLEEVING 70mm LG	3
18	TCP-3515	03-0057	P-CLIP Ø14	1
17	ISO 4014 - M6 x 60	01-0089	HEXAGON HEAD BOLT - PRODUCT GRADES A and B	2
16	TCP-3429	30-3429	SINCRO ALTERNATOR FOAM STRIP	1
15	ISO 7040 - M6	01-0017	HEX NUT WITH TORQUE PART	2
13	TCP-3358	71-3358	SINCRO ER2 CAT 4.2KVA 115/230 B3/B9 23MM	1
12	BS 4320 - M10 (Form C)	01-0248	BRIGHT METAL WASHER - METRIC SERIES	2
11	BS 4320 - M10 (Form A)	02-0002	BRIGHT METAL WASHER - METRIC SERIES	2
10	BS 4320 - M6 (Form A)	02-0004	BRIGHT METAL WASHER - METRIC SERIES	5
9	ISO 7040 - M8	01-0017	HEX NUT WITH TORQUE PART	3
8	TCP-3407	01-3407	M8 x 20 - EQUAL LENGTH STUD	3
7	ISO 4762 - M10 x 30	01-0180	HEXAGON SOCKET HEAD CAP SCREW	2
6	ISO 4017 - M10 x 55	01-0197	HEXAGON HEAD SCREW	2
5	10.5x50x1.5	03-0219	WASHER	4
4	TCP-3093	12-3093	ALTERNATOR MOUNT CROSS BAR - HATZ 1B20	1
3	TCP-3094	12-3094	AV MOUNT - M10 - 40 SHORE SOLID	4
2	TCP-2879	12-3635	EXHAUST GASKET - 1B20	3
1	TCP-3635 SA	12-3635	ENGINE - 1B20 - 2012 SPEC	1

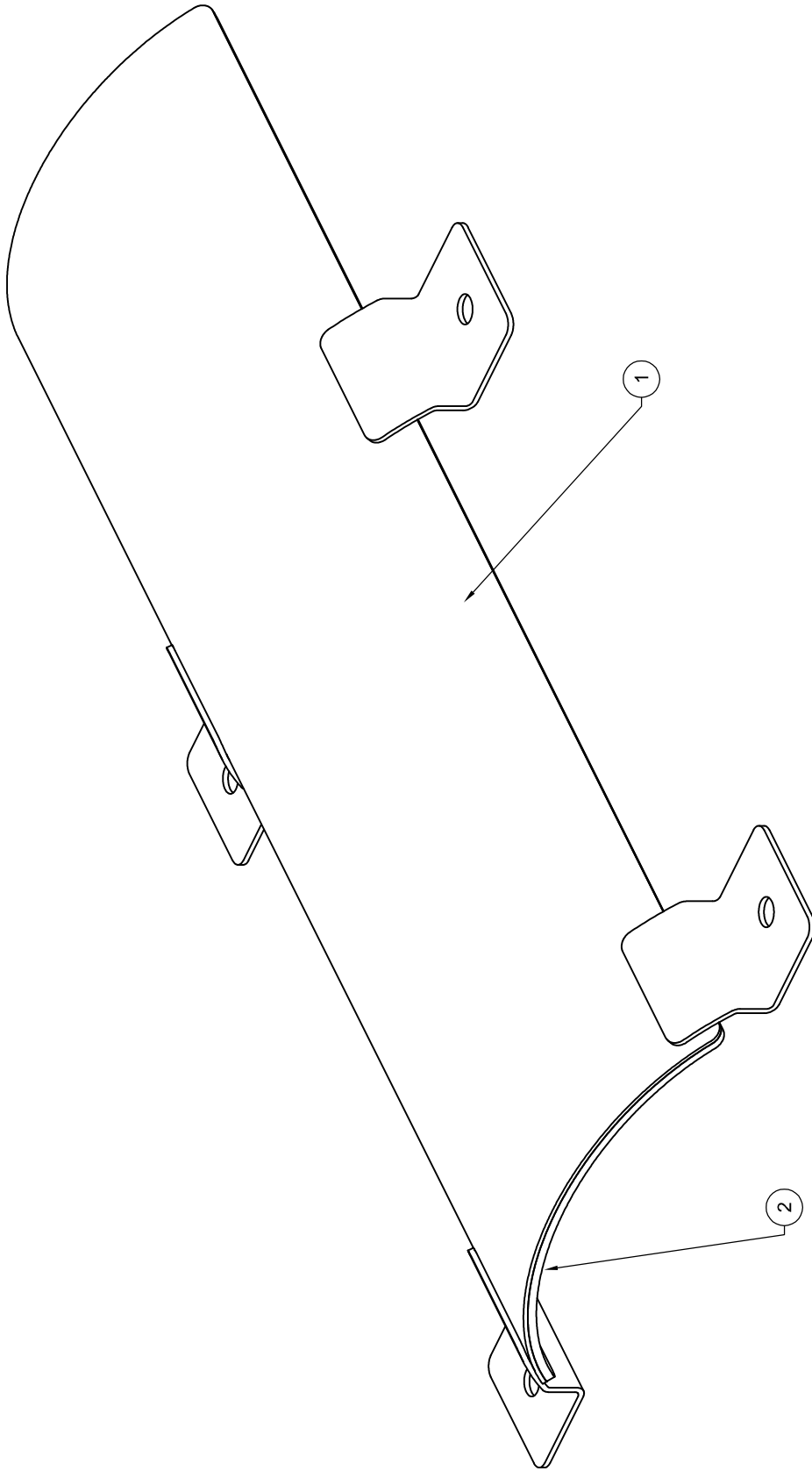
MATERIAL		TITLE		HATZ 1B20 2012 ENGINE ASSY	
FINISH		DRAWN	CR	THIRD ANGLE	
CLEAN & DEBURR	SCALE	DATE	28/11/2011	STOCK No.	
	1:4	CHECKED		SA-3766-01	
	DIMENSIONS IN mm	TAYLOR CONSTRUCTION PLANT LTD.		SHEET 1	
	TOLS:	QUAYSIDE PARK BATES ROAD,		OF 1	
	GENERAL ± 0.5	WALDON, ESSEX, CM6 9FA		SA-3766-01	
	ANGLES ± 1/2°	TEL +441621 850777 FAX +441621 843330		SA-3766-01	
		WWW.TOP.EU.COM		SA-3766-01	

UNCONTROLLED DOCUMENT
CHECK FOR AMMENDMENTS BEFORE USE

ECOLITE-T

EXHAUSTS

Version - 1



USE SILICONE ADHESIVE TO BOND LINER TO THE UNDERSIDE OF HEAT SHIELD.

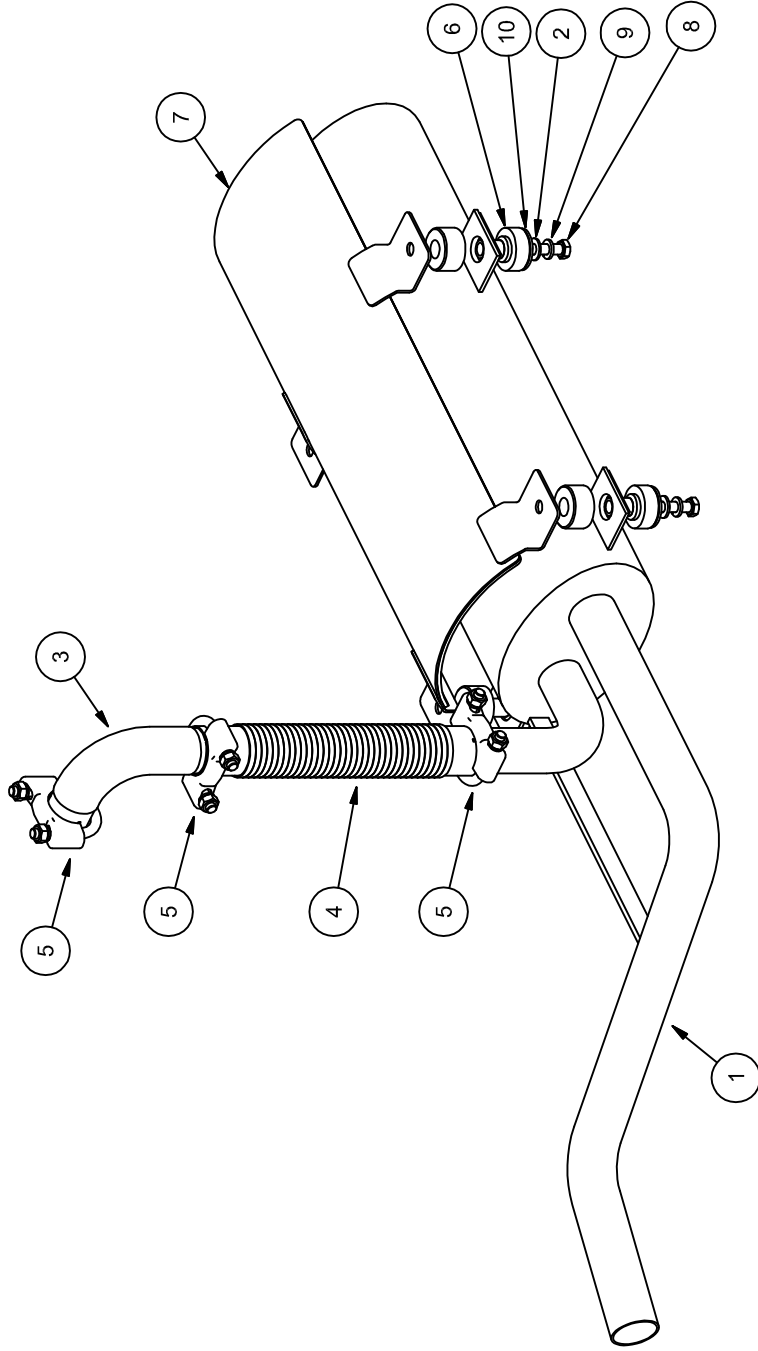
ITEM	DRG No.	PART/Kit No.	DESCRIPTION	QTY
1	TCP-3701	10-3701	HEAT BAFFLE, BODY PROTECTOR	1
2	TCP-3702	10-3702	LINER, HEAT BAFFLE	1

UNCONTROLLED DOCUMENT
CHECK FOR AMENDMENTS BEFORE USE

ISS		DESCRIPTION		CHKD	DATE	MATERIALS		DIMENSIONS IN		TAYLOR CONSTRUCTION PLANT LTD.		TITLE: HEAT SHIELD ASSY		DRN	GAN
A		INITIAL ISSUE			10/11	MATERIALS		SCALE		QUAYSIDE PARK, BATES ROAD,		ECOLITE-T			CHKD
						FINISH: CLEAN & DEBURR		1:1.5		MALDON, ESSEX, CM9 5FA					APPD
								TOL'S: GENERAL		TEL: +44 1621 860777 FAX: +44 1621 84330		SA-3706			DATE
								HOLE CTRS/POSS		WWW.TCP.EU.COM		SA-3706			10.10.2011
								HOLE Ø				SA-3706			
								ANGLES				SA-3706			
								±0.2				SA-3706			
								±0.25				SA-3706			
								±0.25°				SA-3706			

THIRD ANGLE PROJECTION

TAYLOR CONSTRUCTION PLANT LTD. RESERVE THE RIGHT TO CHANGE PRODUCTS & SPECIFICATIONS WITHOUT PRIOR NOTICE.



ITEM	DRG. No.	STOCK No.	DESCRIPTION	QTY
10	TCP-3547	02-3547	M10 WASHER, LARGE DIAMETER	4
9	BS 4464 - M8 Form B	02-0012	SPRING WASHER - METRIC SERIES	4
8	ISO 4014 - M8 x 65	01-0151	HEX HEAD BOLT - PRODUCT GRADES A & B	4
7	TCP-3706 SA	SA-3706	HEAT BAFFLE ASSY	1
6	3524-01	10-3524	EXHAUST MOUNT 2 PIECE	4
5	TCP-3681	10-0049	EXHAUST CLAMP 38 DIA	3
4	TCP-3003	10-3003	EXHAUST BELLOW	1
3	TCP-2962	10-2962	EXHAUST ELBOW 32mm	1
2	BS 4320 - M8 (Form A)	02-0011	BRIGHT METAL WASHER - METRIC SERIES	4
1	TCP-2924	10-2924	EXHAUST SILENCER BOX	1

UNCONTROLLED DOCUMENT
CHECK FOR AMENDMENTS BEFORE USE

ISS	DESCRIPTION	CHKD	DATE	A	B	C	D	E	F	G	H
D	SEE DCA 00653		10/11								
C	SEE DCA 00640		07/11								
B	SEE DCA 00636		06/11								
A	INITIAL ISSUE		09/08								
	INITIAL ISSUE		10/11								

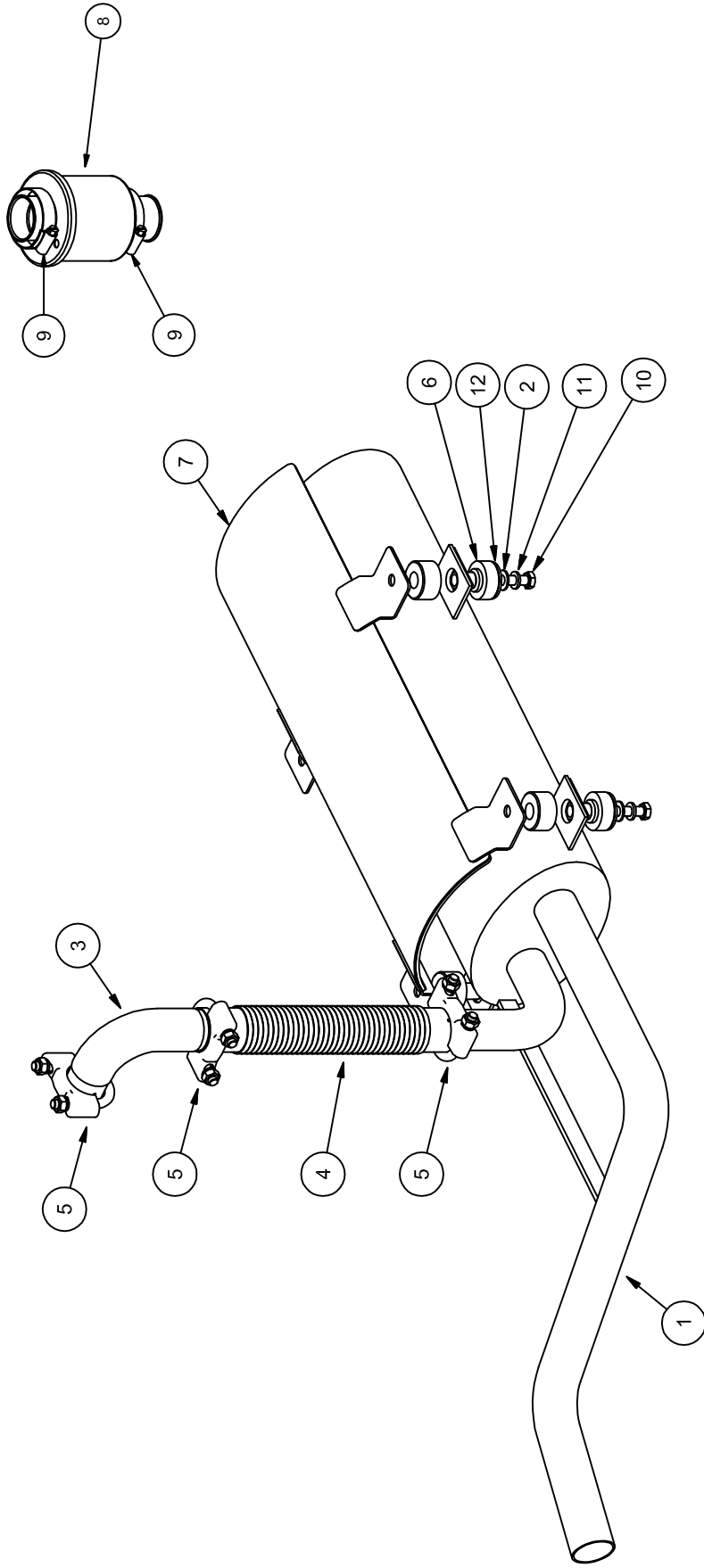
DIMENSIONS IN		mm	
SCALE	1:3.5		
TOL'S: GENERAL	±0.25		
HOLE CTRS/POSNS	±0.2		
HOLE Ø	±0.2		
ANGLES	±0.25°		

MATERIAL:		10/11	
FINISH:		09/08	

TAYLOR CONSTRUCTION PLANT LTD.		TITLE: STANDARD EXHAUST KIT	
QUAYSIDE PARK, BATES ROAD, MALDON, ESSEX, CM9 5FA TEL: +44 (0)1621 860777 FAX: +44 (0)1621 84330 WWW.TCP.EU.COM		STK No. SA-3105-01	
DWG No. TCP-3105-01 SA		Sht. 1 of 1	

THIRD ANGLE PROJECTION

TAYLOR CONSTRUCTION PLANT LTD. RESERVE THE RIGHT TO CHANGE PRODUCTS & SPECIFICATIONS WITHOUT PRIOR NOTICE.

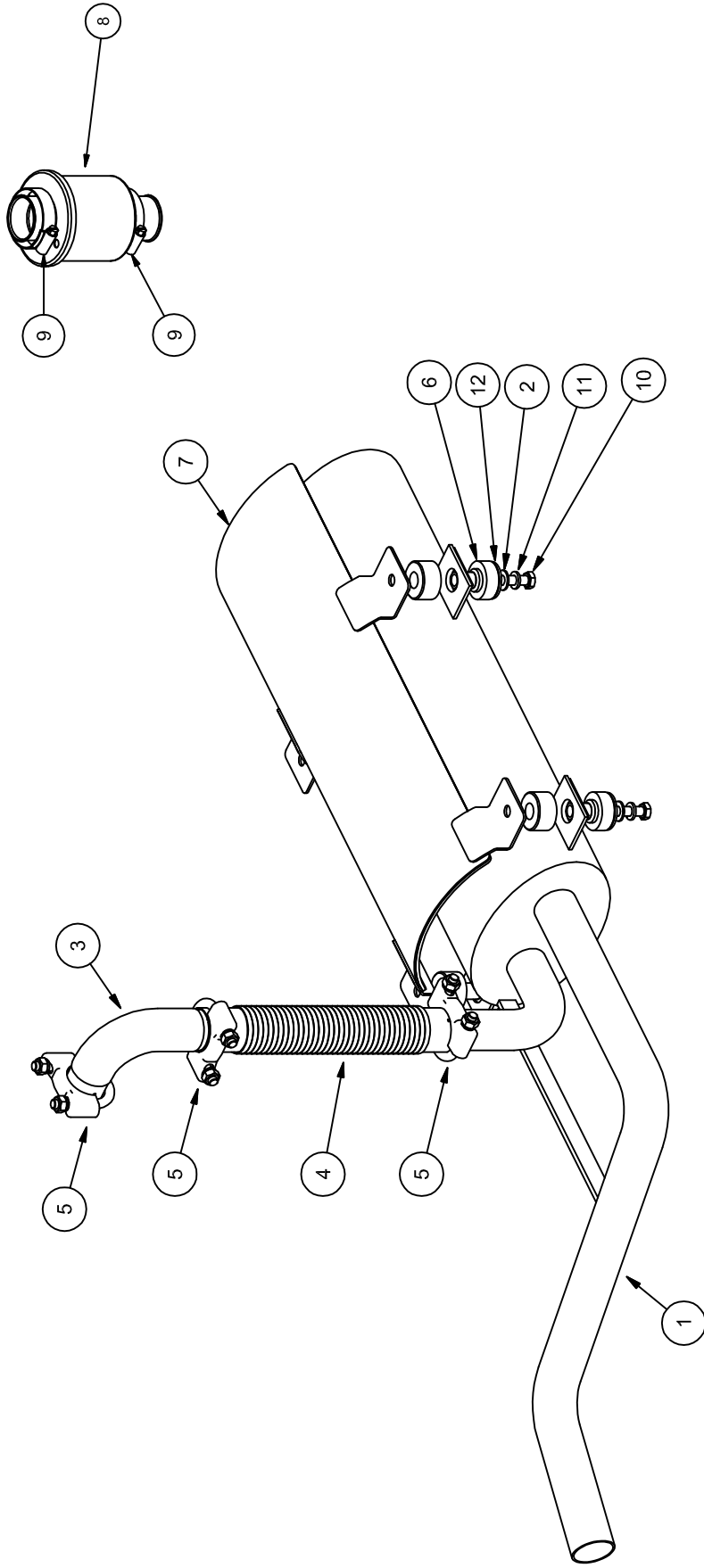


ITEM	DRG. No.	STOCK No.	DESCRIPTION	QTY
12	TCP-3547	02-3547	M10 WASHER, LARGE DIAMETER	4
11	BS 4464 - M8 Form B	02-0012	SPRING WASHER - METRIC SERIES	4
10	ISO 4014 - M8 x 65	01-0151	HEX HEAD BOLT - PRODUCT GRADES A & B	4
9	TCP-2992	10-0080	JUBILEE HOSE CLIP 35-50mm	2
8	TCP-2809	10-0066	CHALWYN VALVE	1
7	TCP-3706 SA	SA-3706	HEAT BAFFLE ASSY	1
6	TCP-3524-01	10-3524	EXHAUST MOUNT 2 PIECE	4
5	TCP-3681	10-0049	EXHAUST CLAMP 38 DIA	3
4	TCP-3003	10-3003	EXHAUST BELLOWS	1
3	TCP-2962	10-2962	EXHAUST ELBOW 32mm	1
2	BS 4320 - M8 (Form A)	02-0011	BRIGHT METAL WASHER - METRIC SERIES	4
1	TCP-3032	10-3032	SPARK ARRESTER EXHAUST - MILD STEEL	1

UNCONTROLLED DOCUMENT
CHECK FOR AMENDMENTS BEFORE USE

ISS	DESCRIPTION	CHK'D	DATE	A	B	C	D	E	F	G	H
D	SEE DCA 00653		10/11								
C	SEE DCA 00640		07/11								
B	SEE DCA 00636		06/11								
A	INITIAL ISSUE		09/08								
A	INITIAL ISSUE		10/11								

DIMENSIONS IN mm		TITLE: SPARK ARRESTER KIT - MILD STEEL		DRN	CAN
SCALE	1:3.5	TAYLOR CONSTRUCTION PLANT LTD.		CHK'D	
TOL'S: GENERAL	±0.25	QUAYSIDE PARK, BATES ROAD,		APP'D	
HOLE CTRS/POSNS	±0.2	MALDON, ESSEX, CM9 9FA		DATE	10.10.2011
HOLE Ø	±0.2	TEL: +44 (0)1462 84330			
ANGLES	±0.25°	WWW.TCP.EU.COM			
		DWG No. TCP-3105-03 SA		Sht. 1 of 1	
		STK No. SA-3105-03			



ITEM	DRG. No.	STOCK No.	DESCRIPTION	QTY
12	TCP-3547	02-3547	M10 WASHER, LARGE DIAMETER	4
11	BS 4464 - M8 Form B	02-0012	SPRING WASHER - METRIC SERIES	4
10	ISO 4014 - M8 x 65	01-0151	HEX HEAD BOLT - PRODUCT GRADES A & B	4
9	TCP-2992	10-0080	JUBILEE HOSE CLIP 35-50mm	2
8	TCP-2809	10-0066	CHALWYN VALVE	1
7	TCP-3706 SA	SA-3706	HEAT BAFFLE ASSY	1
6	TCP-3524-01	10-3524	EXHAUST MOUNT 2 PIECE	4
5	TCP-3681	10-0049	EXHAUST CLAMP 38 DIA	3
4	TCP-3003	10-3003	EXHAUST BELLOWS	1
3	TCP-2962	10-2962	EXHAUST ELBOW 32mm	1
2	BS 4320 - M8 (Form A)	02-0011	BRIGHT METAL WASHER - METRIC SERIES	4
1	TCP-3033	10-3033	SPARK ARRESTER EXHAUST - ST/ST	1

UNCONTROLLED DOCUMENT
CHECK FOR AMENDMENTS BEFORE USE

ISS	DESCRIPTION	CHK'D	DATE	A	B	C	D	E	F	G	H
D	SEE DCA 00653		10/11								
C	SEE DCA 00640		07/11								
B	SEE DCA 00636		06/11								
A	INITIAL ISSUE		09/08								
A	INITIAL ISSUE		10/11								

DIMENSIONS IN mm		TAYLOR CONSTRUCTION PLANT LTD.		TITLE: SPARK ARRESTER KIT - STAINLESS STEEL		DRN	CAN
SCALE	1:3.5	QUAYSIDE PARK, BATES ROAD, MALDON, ESSEX, CM9 6FA		DWG No. TCP-3105-04 SA		CHK'D	
TOL'S: GENERAL	±0.25	TEL: +44 (0)1474 84330		Sht. 1 of 1		APP'D	
HOLE CTRS/POSNS	±0.2	WWW.TCP.EU.COM		STK No. SA-3105-04		DATE	10.10.2011
HOLE Ø	±0.2						
ANGLES	±0.25°						

ECOLITE-T

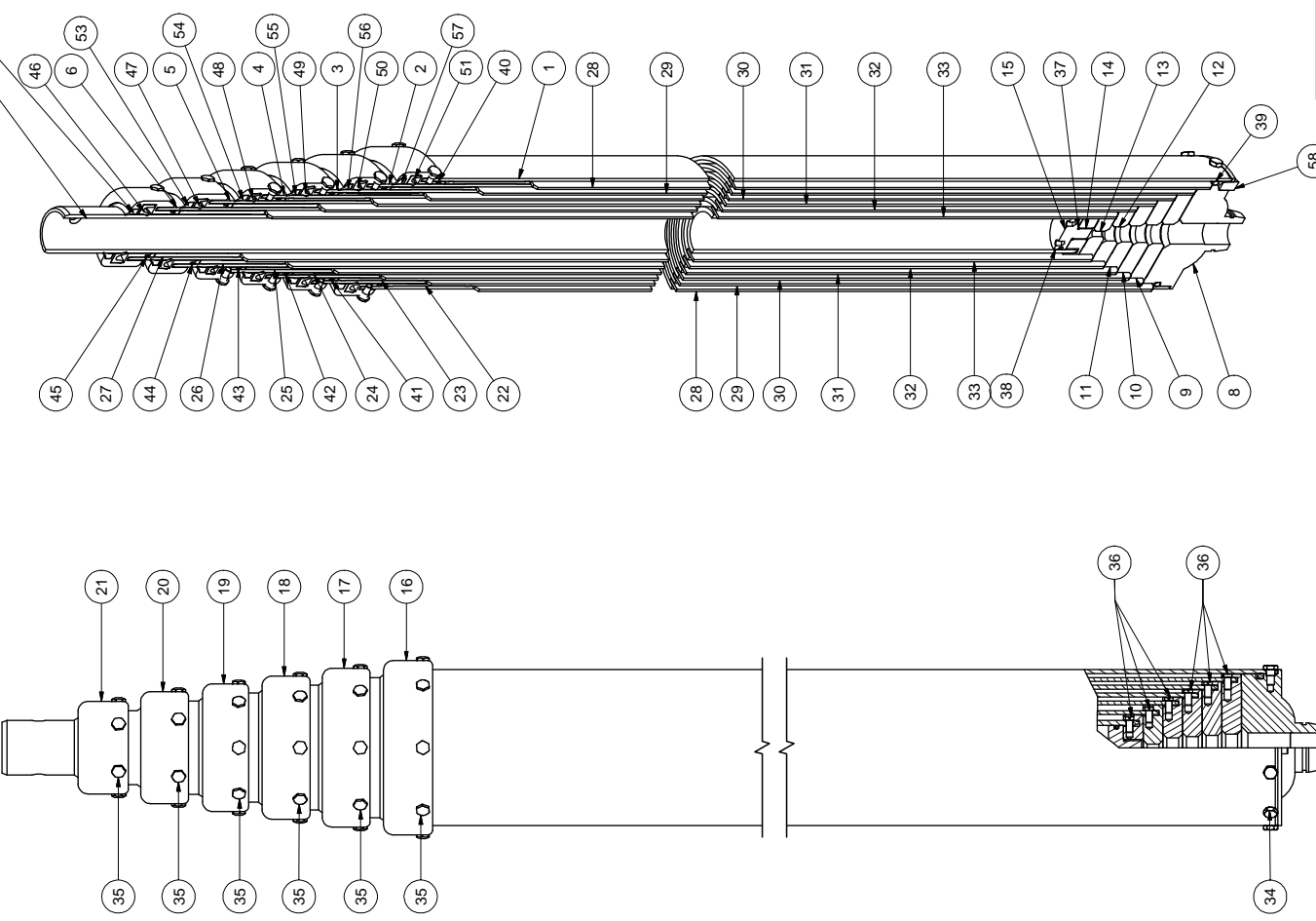
2 ROD MAST

Version - 1

ISS	DESCRIPTION	DATE
A	INITIAL ISSUE	19/08/2008
B	SEE DCA 00312	01/10/2008
C	SEE DCA 00370	15/12/2008
D	SEE DCA 00407	25/06/2009

THIS DRAWING IS THE PROPERTY OF TAYLOR CONSTRUCTION PLANT LTD AND MUST NOT BE REPRODUCED OR DISCLOSED EXCEPT AS AUTHORISED IN WRITING BY TAYLOR CONSTRUCTION PLANT LTD

ITEM	SCALE	DRG. NO.	STOCK NO.	DESCRIPTION	QTY
58	TCP-1869	60-0181	60-2893	MAST ROTATION STOP	1
57	TCP-2228	20-0025	20-3203	GLAND EXCLUDER SEAL	1
56	TCP-2229	20-0026	20-3203	GLAND EXCLUDER SEAL	1
55	TCP-2230	20-0027	20-3203	GLAND EXCLUDER SEAL	1
54	TCP-2231	20-0028	20-3203	GLAND EXCLUDER SEAL	1
53	TCP-2232	20-0029	20-3203	GLAND EXCLUDER SEAL	1
52	TCP-2233	20-0030	20-3203	GLAND EXCLUDER SEAL	1
51	TCP-3177	20-3177	20-3183	GLAND PRESSURE SEAL FOR TUBE 1 - MAST 2	1
50	TCP-3178	20-3178	20-3183	GLAND PRESSURE SEAL FOR TUBE 2 - MAST 2	1
49	TCP-3179	20-3179	20-3183	GLAND PRESSURE SEAL FOR TUBE 3 - MAST 2	1
48	TCP-3180	20-3180	20-3183	GLAND PRESSURE SEAL FOR TUBE 2 - MAST 4	1
47	TCP-3181	20-3181	20-3183	GLAND PRESSURE SEAL FOR TUBE 5 - MAST 2	1
46	TCP-3182	20-3182	20-3183	GLAND PRESSURE SEAL FOR TUBE 6 - MAST 2	1
45	TCP-2227	20-0039/6	20-2272	ORING	1
44	TCP-2226	20-0039/5	20-2272	ORING	1
43	TCP-2225	20-0039/4	20-2272	ORING	1
42	TCP-2224	20-0039/3	20-2272	ORING	1
41	TCP-2223	20-0039/2	20-2272	ORING	1
40	TCP-2222	20-0039/1	20-2272	ORING	1
39	TCP-2219	20-0016		ORING	1
38	TCP-2221	20-0018		ORING	1
37	TCP-2220	20-0017		ORING	1
36	TCP-1722	60-0184	60-2893	M7 DOG SCREW - SLOTTED	36
35	TCP-2969	60-2969	60-2893	M7 HEX HEAD SCREW	44
34	TCP-2950	60-2950	60-2893	MAST BASE SCREW	10
33	TCP-1778	60-0178	60-2893	FLATBAR FOR TUBE 6	2
32	TCP-1777	60-0177	60-2893	FLATBAR FOR TUBE 5	2
31	TCP-1776	60-0176	60-2893	FLATBAR FOR TUBE 4	2
30	TCP-1775	60-0175	60-2893	FLATBAR FOR TUBE 3	2
29	TCP-1774	60-0174	60-2893	FLATBAR FOR TUBE 2	2
28	TCP-1773	60-0173	60-2893	FLATBAR FOR TUBE 1	2
27	TCP-3048	60-3048	60-2893	GLAND BOTTOM FOR TUBE 6	1
26	TCP-3047	60-3047	60-2893	GLAND BOTTOM FOR TUBE 5	1
25	TCP-3046	60-3046	60-2893	GLAND BOTTOM FOR TUBE 4	1
24	TCP-3045	60-3045	60-2893	GLAND BOTTOM FOR TUBE 3	1
23	TCP-3044	60-3044	60-2893	GLAND BOTTOM FOR TUBE 2	1
22	TCP-3043	60-3043	60-2893	GLAND BOTTOM FOR TUBE 1	1
21	TCP-1766	60-0166	60-2893	GLAND TOP FOR TUBE 6 - QUADRING	1
20	TCP-1765	60-0165	60-2893	GLAND TOP FOR TUBE 5 - QUADRING	1
19	TCP-1764	60-0164	60-2893	GLAND TOP FOR TUBE 4 - QUADRING	1
18	TCP-1763	60-0163	60-2893	GLAND TOP FOR TUBE 3 - QUADRING	1
17	TCP-1762	60-0162	60-2893	GLAND TOP FOR TUBE 2 - QUADRING	1
16	TCP-1761	60-0161	60-2893	GLAND TOP FOR TUBE 1 - QUADRING	1
15	TCP-2944	60-2944	60-2893	PLUG FOR BASE TUBE 7	1
14	TCP-1760	60-0160	60-2893	BASE FOR TUBE 7	1
13	TCP-2951	60-2951	60-2893	BASE FOR TUBE 6	1
12	TCP-1758	60-0158	60-2893	BASE FOR TUBE 5	1
11	TCP-1757	60-0157	60-2893	BASE FOR TUBE 4	1
10	TCP-1756	60-0156	60-2893	BASE FOR TUBE 3	1
9	TCP-1755	60-0155	60-2893	BASE FOR TUBE 2	1
8	TCP-1754	60-0154	60-2893	BASE FOR TUBE 1	1
7	TCP-1753	60-0153	60-2893	TUBE 7	1
6	TCP-1752	60-0152	60-2893	TUBE 6	1
5	TCP-1751	60-0151	60-2893	TUBE 5	1
4	TCP-1750	60-0150	60-2893	TUBE 4	1
3	TCP-1749	60-0149	60-2893	TUBE 3	1
2	TCP-1748	60-0148	60-2893	TUBE 2	1
1	TCP-1747	60-0147	60-2893	TUBE 1	1



SCALE: 1:3	DRG. NO.:	STOCK NO.:	DESCRIPTION:	QTY:
MATERIAL: TAYLOR CONSTRUCTION PLANT LTD.				
FINISH: CLEAN & DEBURR				
DIMENSIONS IN MM				
TOL: GENERAL: 0.5				
PROF: 1/2				
DATE: 19/08/2008				
DRAWN BY: RC				
CHECKED:				
DRAWN NO.:				
STOCK NO.:				
DESCRIPTION:				
TITLE: MAST MK II				
DRAWN NO.:				
STOCK NO.:				
DESCRIPTION:				
QTY:				
DRAWN NO.:				
STOCK NO.:				
DESCRIPTION:				
TITLE: MAST MK II				
DRAWN NO.:				
STOCK NO.:				
DESCRIPTION:				
QTY:				

UNCONTROLLED DOCUMENT

CHECK FOR AMENDMENTS BEFORE USE

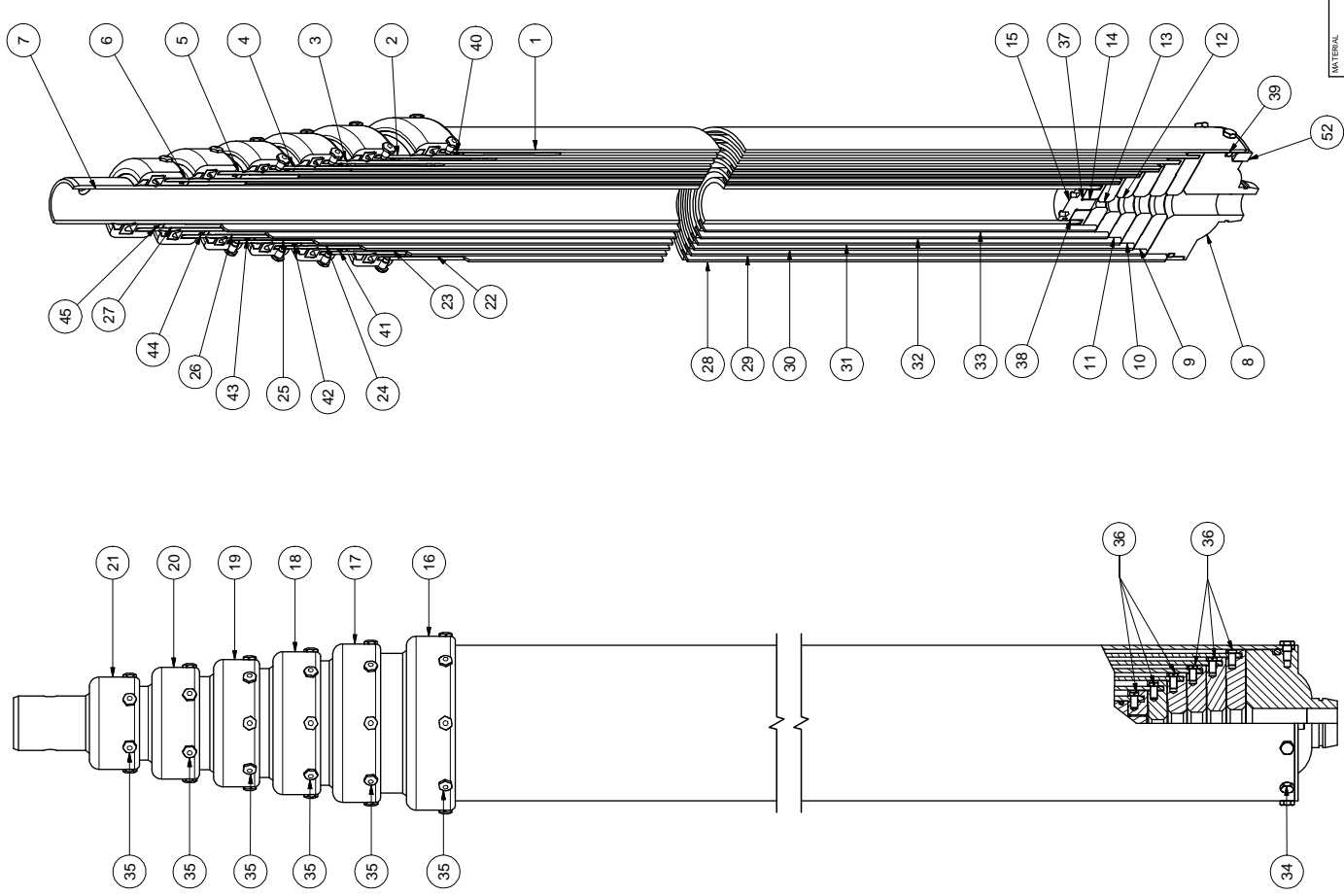
ECOLITE-T

3 ROD MAST

Version - 2

ISS	DESCRIPTION	DATE
A	INITIAL ISSUE	05/02/2009
B	REVISED O'RING ISSUE PARTS	16/04/2009
C	KITS ADDED	29/06/2009
D	DCA 00426	30/09/2009

THIS DRAWING IS THE PROPERTY OF TAYLOR CONSTRUCTION PLANT LTD AND MUST NOT BE REPRODUCED OR DISCLOSED EXCEPT AS AUTHORIZED IN WRITING BY TAYLOR CONSTRUCTION PLANT LTD.



ITEM	DRG. NO.	STOCK NO.	DESCRIPTION	QTY	
58	TCP-1869	60-0181	MAST ROTATION STOP	1	
57	TCP-3182	20-3183	GLAND PRESSURE SEAL FOR TUBE 6 - MAST 2	1	
56	TCP-3181	20-3183	GLAND PRESSURE SEAL FOR TUBE 5 - MAST 2	1	
55	TCP-3180	20-3183	GLAND PRESSURE SEAL FOR TUBE 2 - MAST 4	1	
54	TCP-3179	20-3179	GLAND PRESSURE SEAL FOR TUBE 3 - MAST 2	1	
53	TCP-3178	20-3183	GLAND PRESSURE SEAL FOR TUBE 2 - MAST 2	1	
52	TCP-3177	20-3183	GLAND PRESSURE SEAL FOR TUBE 1 - MAST 2	1	
51	TCP-2233	20-0030	GLAND EXCLUDER SEAL	1	
50	TCP-2232	20-0029	GLAND EXCLUDER SEAL	1	
49	TCP-2231	20-0028	GLAND EXCLUDER SEAL	1	
48	TCP-2230	20-0027	GLAND EXCLUDER SEAL	1	
47	TCP-2229	20-0026	GLAND EXCLUDER SEAL	1	
46	TCP-2228	20-0025	GLAND EXCLUDER SEAL	1	
45	TCP-2227	20-0039/6	ORING	1	
44	TCP-2226	20-0039/5	20-2272	ORING	1
43	TCP-2225	20-0039/4	20-2272	ORING	1
42	TCP-2224	20-0039/3	20-2272	ORING	1
41	TCP-2223	20-0039/2	20-2272	ORING	1
40	TCP-2222	20-0039/1	20-2272	ORING	1
39	TCP-2219	20-0016	ORING	1	
38	TCP-2221	20-0018	ORING	1	
37	TCP-2220	20-0017	ORING	1	
36	TCP-3142	60-3142	M7 DOG SCREW - SHORT	36	
35	TCP-3137	60-3137	M7 HEX HEAD SCREW - SHORT	44	
34	TCP-2950	60-2950	MAST BASE SCREW	10	
33	TCP-3158	60-3158	FLATBAR FOR TUBE 6 - MAST 2	2	
32	TCP-3157	60-3157	FLATBAR FOR TUBE 5 - MAST 2	2	
31	TCP-3156	60-3156	FLATBAR FOR TUBE 4 - MAST 2	2	
30	TCP-3125	60-3125	FLATBAR FOR TUBE 3 - MAST 2	3	
29	TCP-3124	60-3124	FLATBAR FOR TUBE 2 - MAST 2	3	
28	TCP-3123	60-3123	FLATBAR FOR TUBE 1 - MAST 2	3	
27	TCP-3155	60-3155	GLAND BOTTOM FOR TUBE 6 - MAST 2	1	
26	TCP-3154	60-3154	GLAND BOTTOM FOR TUBE 5 - MAST 2	1	
25	TCP-3153	60-3153	GLAND BOTTOM FOR TUBE 4 - MAST 2	1	
24	TCP-3122	60-3122	GLAND BOTTOM FOR TUBE 3 - MAST 2	1	
23	TCP-3121	60-3121	GLAND BOTTOM FOR TUBE 2 - MAST 2	1	
22	TCP-3120	60-3120	GLAND BOTTOM FOR TUBE 1 - MAST 2	1	
21	TCP-3176	60-3176	GLAND TOP FOR TUBE 6 - MAST2 - BI SEAL	1	
20	TCP-3175	60-3175	GLAND TOP FOR TUBE 5 - MAST2 - BI SEAL	1	
19	TCP-3174	60-3174	GLAND TOP FOR TUBE 4 - MAST2 - BI SEAL	1	
18	TCP-3173	60-3173	GLAND TOP FOR TUBE 3 - MAST2 - BI SEAL	1	
17	TCP-3172	60-3172	GLAND TOP FOR TUBE 2 - MAST2 - BI SEAL	1	
16	TCP-3171	60-3171	GLAND TOP FOR TUBE 1 - MAST2 - BI SEAL	1	
15	TCP-2944	60-2944	PLUG FOR BASE TUBE 7	1	
14	TCP-3161	60-3161	BASE FOR TUBE 7 - MAST 2	1	
13	TCP-3160	60-3160	BASE FOR TUBE 6 - MAST 2	1	
12	TCP-3159	60-3159	BASE FOR TUBE 5 - MAST 2	1	
11	TCP-3119	60-3119	BASE FOR TUBE 4 - MAST 2	1	
10	TCP-3118	60-3118	BASE FOR TUBE 3 - MAST 2	1	
9	TCP-3117	60-3117	BASE FOR TUBE 2 - MAST 2	1	
8	TCP-3116	60-3116	BASE FOR TUBE 1 - MAST 2	1	
7	TCP-3150	60-3150	TUBE 7 - MAST 2	1	
6	TCP-3149	60-3149	TUBE 6 - MAST 2	1	
5	TCP-3148	60-3148	TUBE 5 - MAST 2	1	
4	TCP-3132	60-3132	TUBE 4 - MAST 2	1	
3	TCP-3131	60-3131	TUBE 3 - MAST 2	1	
2	TCP-3130	60-3130	TUBE 2 - MAST 2	1	
1	TCP-3129	60-3129	TUBE 1 - MAST 2	1	
KIT					
ITEM	DRG. NO.	STOCK NO.	DESCRIPTION	QTY	

MATERIAL: FINISH: CLEAN & DEBURR

SCALE: 1:3

EMERSONS IN WM

TAYLOR CONSTRUCTION PLANT LTD.

TEL: 01474 812121 FAX: 01474 812122

WWW.TCP.CO.UK

DATE: 05/02/2009

CHECKED:

DRG. NO.: TCP-3126 SA

SHEET 1 OF 1

STOCK NO: SA-3126

THRU-HOLE

A2

UNCONTROLLED DOCUMENT

CHECK FOR AMENDMENTS BEFORE USE

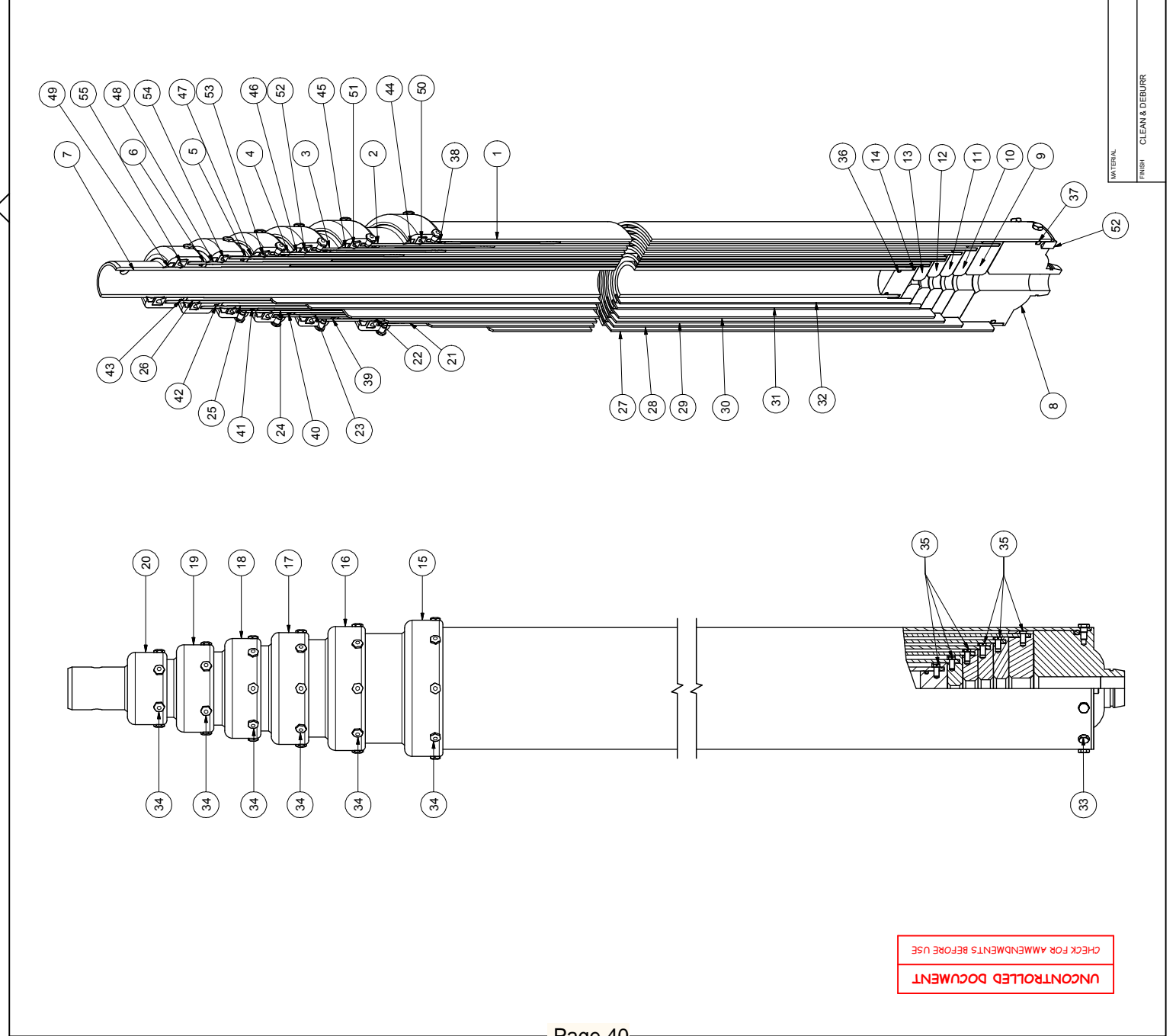
ECOLITE-T

3 ROD PROFILE MAST

Version - 3

ISS	DESCRIPTION	DATE
A	INITIAL ISSUE	24/02/2011
B	SEE DCA 00628	31/05/2011
C	SEE DCA 00633	07/06/2011

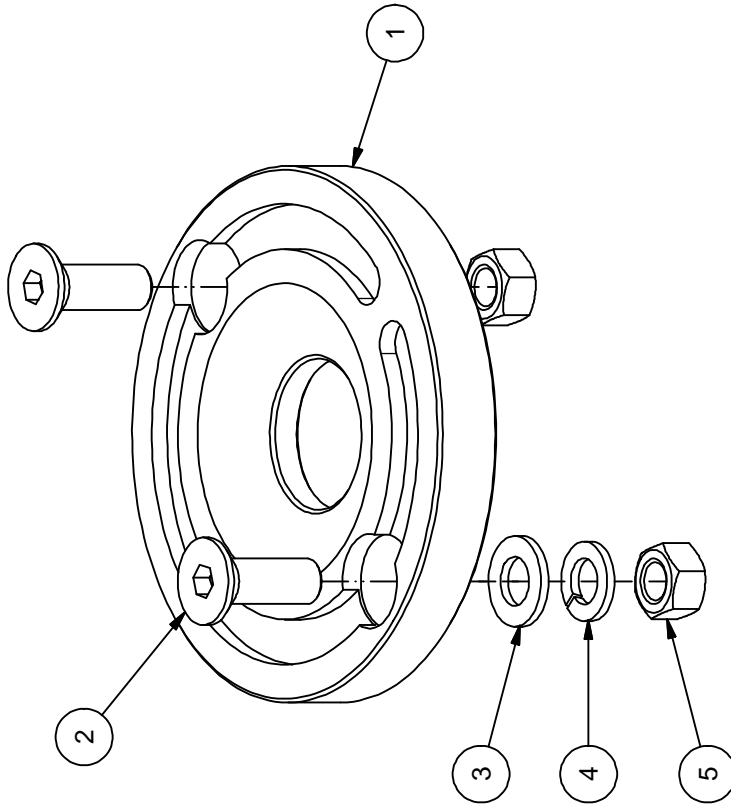
ITEM	DRG. No.	STOCK No.	DESCRIPTION	QTY
56	TCP-1869	60-0181	MAST ROTATION STOP	1
55	TCP-3182	20-3182	GLAND PRESSURE SEAL FOR TUBE 6 - MAST 2	1
54	TCP-3181	20-3181	GLAND PRESSURE SEAL FOR TUBE 5 - MAST 2	1
53	TCP-3180	20-3180	GLAND PRESSURE SEAL FOR TUBE 2 - MAST 4	1
52	TCP-3179	20-3179	GLAND PRESSURE SEAL FOR TUBE 3 - MAST 2	1
51	TCP-3178	20-3178	GLAND PRESSURE SEAL FOR TUBE 2 - MAST 2	1
50	TCP-3177	20-3177	GLAND PRESSURE SEAL FOR TUBE 1 - MAST 2	1
49	TCP-3629	20-3629	GLAND EXCLUDER SEAL - POLYURETHANE	1
48	TCP-3628	20-3628	GLAND EXCLUDER SEAL - POLYURETHANE	1
47	TCP-3627	20-3627	GLAND EXCLUDER SEAL - POLYURETHANE	1
46	TCP-3626	20-3626	GLAND EXCLUDER SEAL - POLYURETHANE	1
45	TCP-3625	20-3625	GLAND EXCLUDER SEAL - POLYURETHANE	1
44	TCP-3624	20-3624	GLAND EXCLUDER SEAL - POLYURETHANE	1
43	TCP-2227	20-0039/6	ORING	1
42	TCP-2226	20-0039/5	ORING	1
41	TCP-2225	20-0039/4	ORING	1
40	TCP-2224	20-0039/3	ORING	1
39	TCP-2223	20-0039/2	ORING	1
38	TCP-2222	20-0039/1	ORING	1
37	TCP-2219	20-0016	ORING	1
36	TCP-2221	20-0018	ORING	1
35	TCP-3142	60-3142	M7 DOG SCREW - SHORT	36
34	TCP-3137	60-3137	M7 HEX HEAD SCREW - SHORT	44
33	TCP-2950	60-2950	MAST BASE SCREW	10
32	TCP-3580	60-3580	FLATBAR FOR TUBE 6 - MAST - PROFILE	2
31	TCP-3579	60-3579	FLATBAR FOR TUBE 5 - MAST - PROFILE	2
30	TCP-3578	60-3578	FLATBAR FOR TUBE 4 - MAST - PROFILE	3
29	TCP-3577	60-3577	FLATBAR FOR TUBE 3 - MAST - PROFILE	3
28	TCP-3576	60-3576	FLATBAR FOR TUBE 2 - MAST - PROFILE	3
27	TCP-3575	60-3575	FLATBAR FOR TUBE 1 - MAST - PROFILE	3
26	TCP-3586	60-3586	GLAND BOTTOM FOR TUBE 6 - MAST - PROFILE	1
25	TCP-3585	60-3585	GLAND BOTTOM FOR TUBE 5 - MAST - PROFILE	1
24	TCP-3584	60-3584	GLAND BOTTOM FOR TUBE 4 - MAST - PROFILE	1
23	TCP-3583	60-3583	GLAND BOTTOM FOR TUBE 3 - MAST - PROFILE	1
22	TCP-3582	60-3582	GLAND BOTTOM FOR TUBE 2 - MAST - PROFILE	1
21	TCP-3581	60-3581	GLAND BOTTOM FOR TUBE 1 - MAST - PROFILE	1
20	TCP-3176	60-3176	GLAND TOP FOR TUBE 6 - MAST2 - BI SEAL	1
19	TCP-3175	60-3175	GLAND TOP FOR TUBE 5 - MAST2 - BI SEAL	1
18	TCP-3174	60-3174	GLAND TOP FOR TUBE 4 - MAST2 - BI SEAL	1
17	TCP-3173	60-3173	GLAND TOP FOR TUBE 3 - MAST2 - BI SEAL	1
16	TCP-3172	60-3172	GLAND TOP FOR TUBE 2 - MAST2 - BI SEAL	1
15	TCP-3171	60-3171	GLAND TOP FOR TUBE 1 - MAST2 - BI SEAL	1
14	TCP-3593	60-3593	BASE FOR TUBE 7 - MAST - PROFILE	1
13	TCP-3592	60-3592	BASE FOR TUBE 6 - MAST - PROFILE	1
12	TCP-3591	60-3591	BASE FOR TUBE 5 - MAST - PROFILE	1
11	TCP-3590	60-3590	BASE FOR TUBE 4 - MAST - PROFILE	1
10	TCP-3589	60-3589	BASE FOR TUBE 3 - MAST - PROFILE	1
9	TCP-3588	60-3588	BASE FOR TUBE 2 - MAST - PROFILE	1
8	TCP-3587	60-3587	BASE FOR TUBE 1 - MAST - PROFILE	1
7	TCP 3150	60-3150	TUBE 7 - MAST 2	1
6	TCP 3149	60-3149	TUBE 6 - MAST 2	1
5	TCP 3148	60-3148	TUBE 5 - MAST 2	1
4	TCP 3132	60-3132	TUBE 4 - MAST 2	1
3	TCP 3131	60-3131	TUBE 3 - MAST 2	1
2	TCP-3130	60-3130	TUBE 2 - MAST 2	1
1	TCP 3317	60-3317	TUBE 1 - MAST 2 - EXPORT	1
ITEM	DRG. No.	STOCK No.	DESCRIPTION	QTY



UNCONTROLLED DOCUMENT
CHECK FOR AMENDMENTS BEFORE USE

SCALE 1:3 DIMENSIONS IN mm TOLERANCES UNLESS OTHERWISE SPECIFIED ANGLES IN DEGREES	MATERIAL FINISH CLEAN & DEBURR DRAWN GDR DATE 04/03/2011 CHECKED TAYLOR CONSTRUCTION PLANT LTD. GARDEN LANE, CHAFFERS PARK WILMINGTON, WILTSHIRE BA15 4JG TEL: +44(0)1292 448839 WWW.TCP.CO.UK	TITLE MAST3 - PROFILED RODS DRG No. TCP-3594 SA SHEET 1 OF 1	ISOTOPIK SA-3594
---	--	--	---------------------

ISS	DESCRIPTION	DATE
A	INITIAL ISSUE	26/09/2008



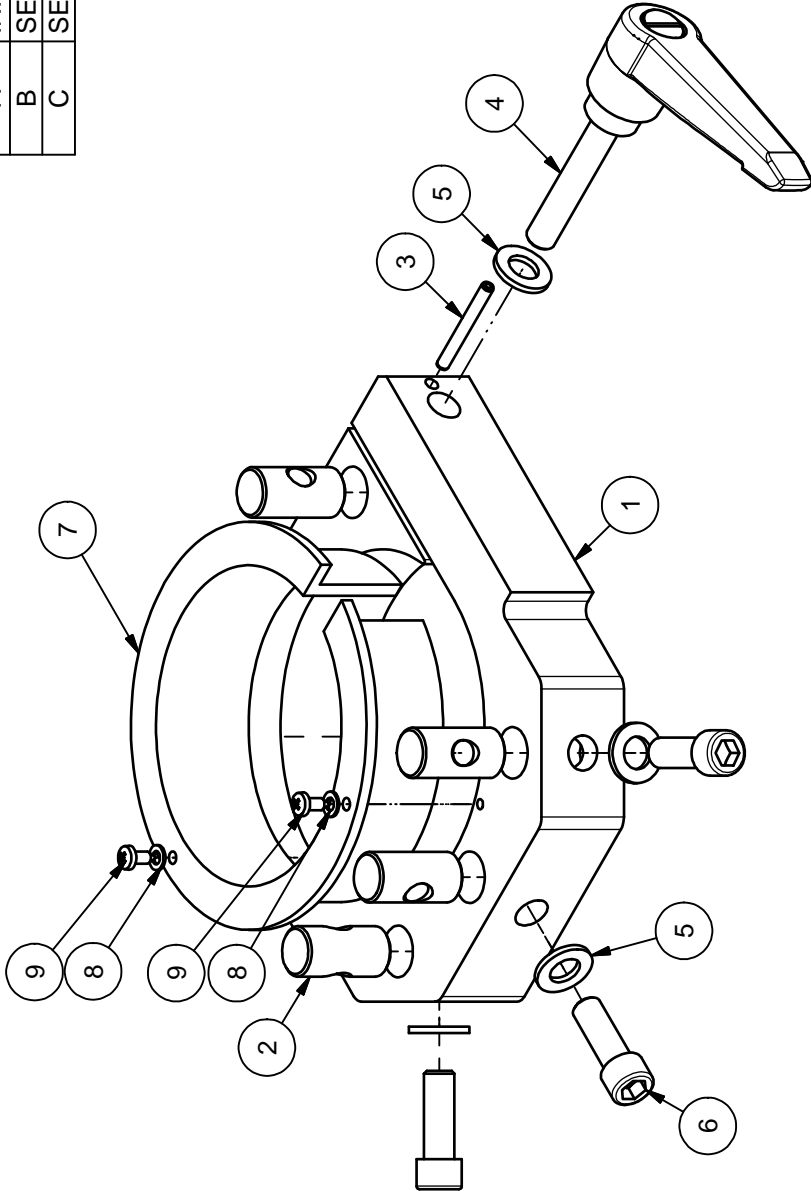
5	ISO 4032 - M12	01-0192	HEXAGON FULL NUT	2
4	BS 4464 - M12 FORM B	02-0048	SPRING WASHER - METRIC SERIES	2
3	BS 4320 - M12 (FORM A)	02-0021	BRIGHT METAL WASHER - METRIC SERIES	2
2	ISO 10642 - M12 X 35	01-0021	HEXAGON SOCKET COUNTERSUNK HEAD SCREW	2
1	TCP-1583	51-0299	SUB BASE ECOLITE MAST	1
ITEM	DRG. NO.	STOCK NO.	DESCRIPTION	QTY

UNCONTROLLED DOCUMENT
CHECK FOR AMMENDMENTS BEFORE USE

MATERIAL	SCALE 1:2	TITLE MAST MOUNT ASSY	
	DIMENSIONS IN MM TOLS: GENERAL ± 0.5 ANGLES ± 1/2°	DRAWN RC	THIRD ANGLE
FINISH CLEAN & DEBURR	TAYLOR CONSTRUCTION PLANT LTD. QUAYSIDE PARK, BATES ROAD, MALDON, ESSEX, CM9 5FA TEL +441621 850777 FAX +441621 843330 WWW.TCP.EU.COM		STOCK NO
	DRG. NO. TCP-3035 SA		SHEET 1 OF 1
			A4

ECOLITE-T
MAST CLAMP
Version - 1

ISS	DESCRIPTION	DATE
A	INITIAL ISSUE	23/09/2008
B	SEE DCA 00529	09/07/2010
C	SEE DCA 00592	10/02/2011

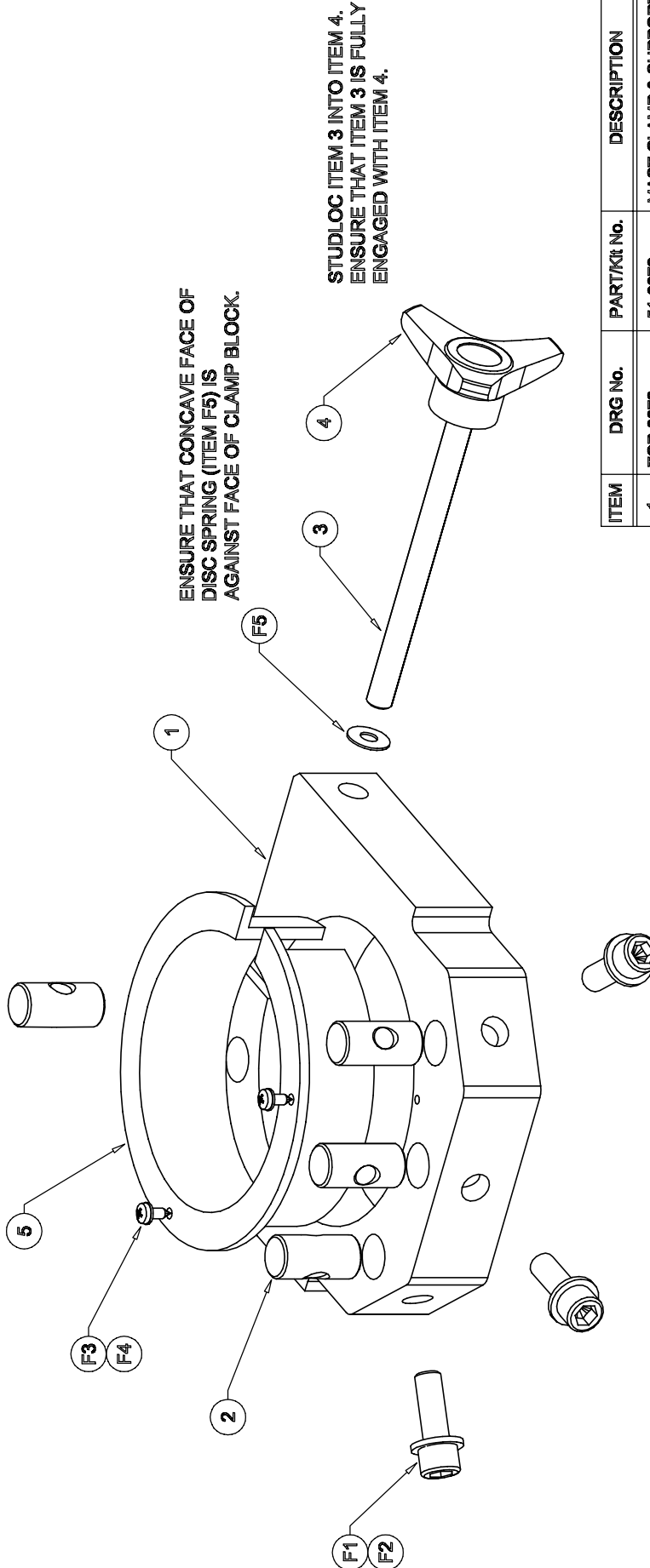


ITEM	DRG. NO.	STOCK NO.	DESCRIPTION	QTY
9	ISO 7049 - ST 5 X 14	01-0256	POZI PAN PLAS-TECH 30	2
8	BS 4320 - M5 (FORM A)	02-0013	BRIGHT METAL WASHER - METRIC SERIES	2
7	TCP-4156	51-4156	SLEEVE MAST CLAMP	1
6	ISO 4762 - M12 X 35	01-0024	HEXAGON SOCKET HEAD CAP SCREW	3
5	BS 4320 - M12 (FORM A)	02-0021	BRIGHT METAL WASHER - METRIC SERIES	4
4	TCP-2127	41-0161	MAST CLAMP HANDLE	1
3	TCP 1694	51-0298	MAST CLAMP DOWEL PIN	1
2	TCP 1582	51-0301	CROSS NUT MAST CLAMP	4
1	TCP-1581	51-0300	MAST CLAMP	1

UNCONTROLLED DOCUMENT
CHECK FOR AMMENDMENTS BEFORE USE

MATERIAL	SCALE	1:2	TAYLOR CONSTRUCTION PLANT LTD. QUAYSIDE PARK, BATES ROAD, MALDON, ESSEX, CM9 5FA TEL +441621 850777 FAX +441621 843330 WWW.TCP.EU.COM	DRAWN	RC	TITLE	MAST CLAMP ASSY	
	DIMENSIONS IN MM TOL'S:	GENERAL ± 0.5 ANGLES ± 1/2°		DATE	23/09/2008		THIRD ANGLE	
FINISH	CLEAN & DEBURR	DRG. NO.	TCP-3027-SA	SHEET	1	STOCK NO.		
				OF	1		A4	

ECOLITE-T
MAST CLAMP
Version - 2



ITEM	DRG No.	PART/Kit No.	DESCRIPTION	QTY
1	TCP-3872	51-3872	MAST CLAMP & SUPPORT V2	1
2	TCP-1582	51-0301	CROSS NUT MAST CLAMP	4
3	TCP-3878-01	51-3878-01	CLAMPING STUD - LONG	1
4		41-0162	KNOB, 3 ARM	1
5	TCP-4156	51-4156	SLEEVE MAST CLAMP	1
F1		01-0024	M12 x 35 SKT HD SCREW	3
F2		02-0021	M12 WASHER BZP	3
F3		01-0256	5 x 14 POZI PAN PLAS-TECH 30	2
F4		02-0013	M5 WASHER BZP	2
F5		40-0028	DISC SPRING 8.2 I/D	1

UNCONTROLLED DOCUMENT
CHECK FOR AMENDMENTS BEFORE USE

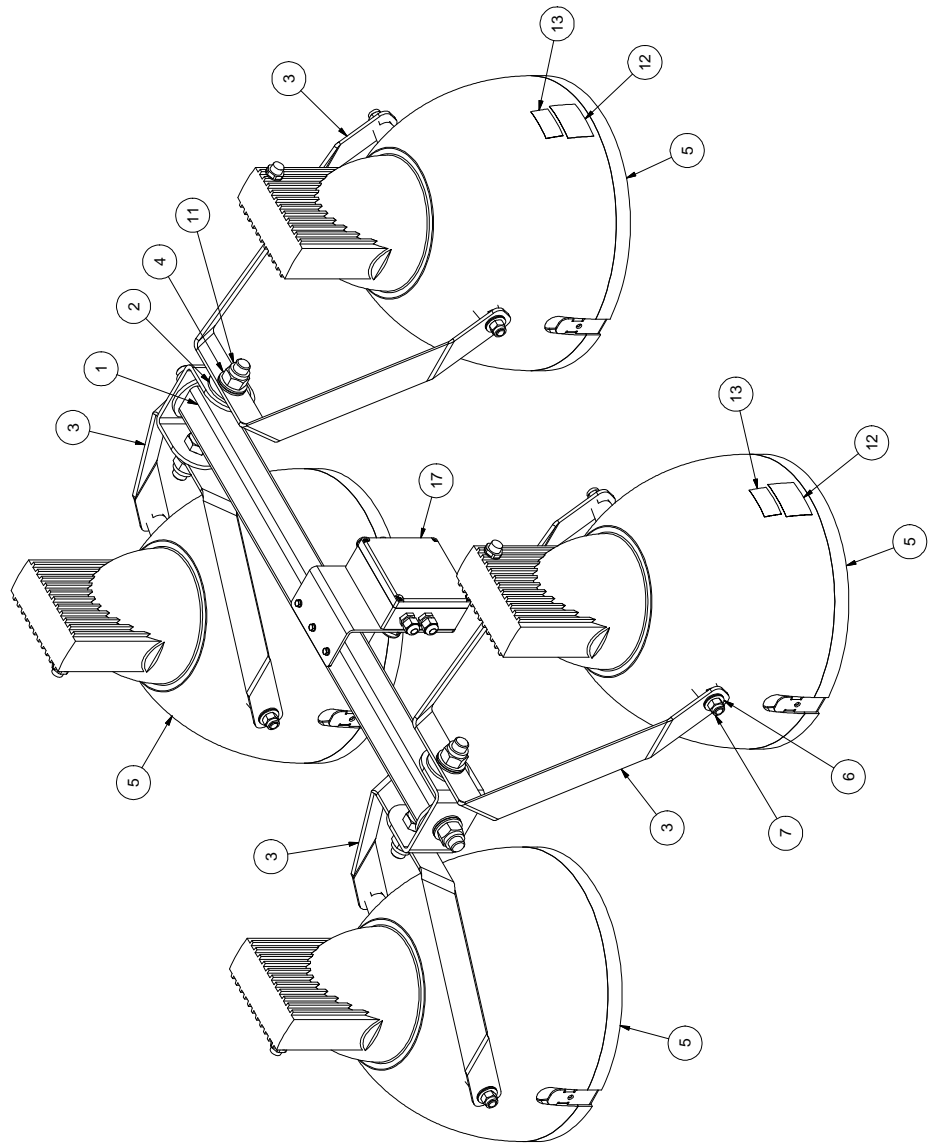
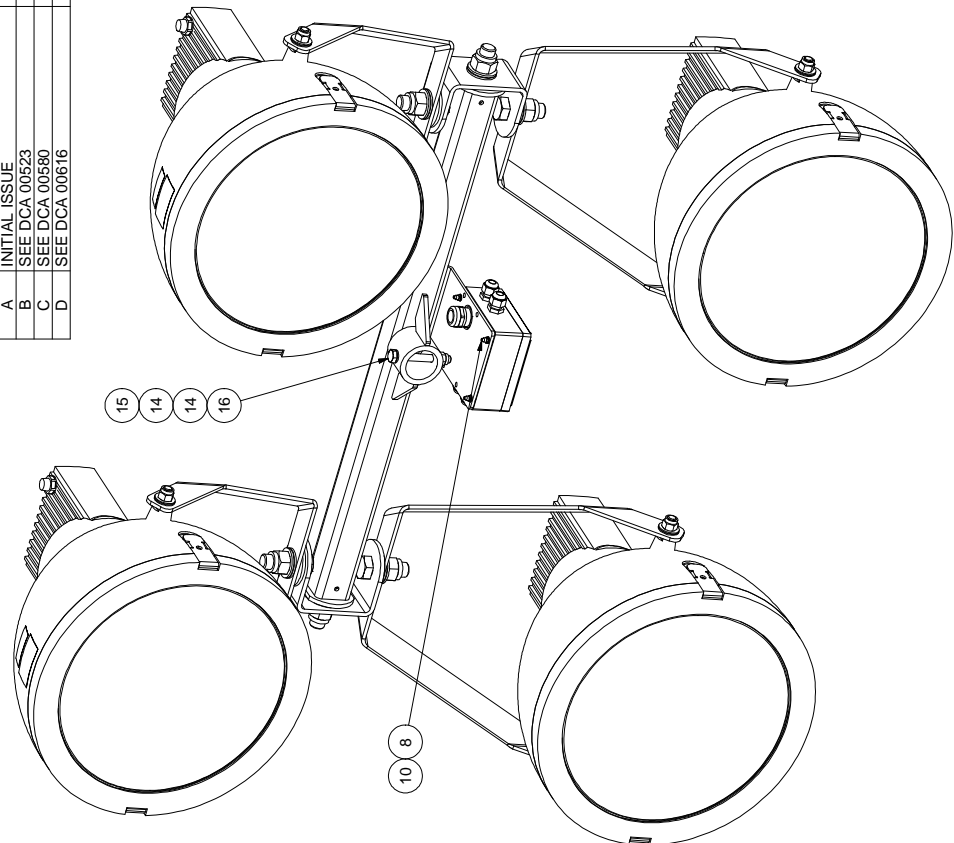
ISS		A		B		C		D		E		F		G		H	
ISS	DESCRIPTION	CHKD	DATE	ISS	DESCRIPTION	CHKD	DATE	ISS	DESCRIPTION	CHKD	DATE	ISS	DESCRIPTION	CHKD	DATE	ISS	DESCRIPTION
A	INITIAL ISSUE		08/13														
<p style="text-align: center;">TITLE: MAST CLAMP & SUPPORT V2 - 3 ARM KNOB ECOLITE T</p> <p style="text-align: center;">TAYLOR CONSTRUCTION PLANT LTD. <small>QUAYSIDE PARK, BATES ROAD, MALDON, ESSEX, CH10 8FA TEL: +44 (0)1627 753441 EXT 848880 WWW.TCP.EU.COM</small></p>																	
<p style="text-align: center;">DIMENSIONS IN mm</p> <p>SCALE 1:2</p> <p>TOL'S: GENERAL ±0.25</p> <p>HOLE CTRS POSNS ±0.2</p> <p>HOLE Ø ±0.2</p> <p>ANGLES ±0.26°</p>												<p>MATL. SEE PIECE PARTS</p>		<p>FINISH.</p>			
<p style="text-align: center;">DWG No. TCP-3985 SA Sht. 1 of 1 BRK No. SA-3985-01 DATE 03.06.2013</p>																	

ECOLITE-T

Ø300 x 150w LAMPS

Version - 1

ISS	DESCRIPTION	DATE
A	INITIAL ISSUE	29/09/2008
B	SEE DCA 00523	17/06/2010
C	SEE DCA 00580	14/12/2010
D	SEE DCA 00616	06/05/2011



ITEM	DRG. NO.	STOCK NO.	KIT	DESCRIPTION	QTY
17	TCP-3382	99-3382		JUNCTION BOX ASSEMBLY - LARGE	1
16	ISO 4014 - M10 X 80	01-0182		HEXAGON HEAD BOLT - PRODUCT GRADES A AND B	1
15	ISO 7040 - M10	01-0006		HEX NUT WITH TORQUE PART	1
14	BS 4320 - M8 (FORM A)	02-0011		BRIGHT METAL WASHER - METRIC SERIES	2
13	TCP-1090	80-0040		DECAL - WARNING HOT SURFACE	4
12	TCP-1091	80-0041		DECAL - WARNING LAMP GLASS BROKEN	4
11	ISO 7040 - M20	01-0046		HEX NUT WITH TORQUE PART	6
10	ISO 7040 - M4	01-0019		HEX NUT WITH TORQUE PART	4
9	BS 4320 - M4 (FORM A)	02-0028		BRIGHT METAL WASHER - METRIC SERIES	4
8	TCP-3526	01-3526		M4 POZI PAN SMALL HEAD - GB-823	4
7	ISO 7040 - M12	01-0038		HEX NUT WITH TORQUE PART	8
6	D2812215	40-0022		M12 DISK SPRING	16
5	TCP-2181	72-0038		BOOSTER LAMP 150W X Ø330MM	4
4	D4020425	40-0010		M20 DISK SPRING	12
3	TCP-1802	51-0307		LAMP SUPPORT BRACKET FIXED	4
2	TCP-4053	51-4105		FRICITION WASHER GIMBAL TEE BAR	6
1	TCP-4046	51-4105		GIMBAL TEE BAR ASSY	1

ITEM	DRG. NO.	STOCK NO.	KIT	DESCRIPTION	QTY
				ECOLITE 330MM 4 HEAD LAMP GIMBAL ASSY	

MATERIAL: TAYLOR CONSTRUCTION PLANT LTD.
 SCALE: 1:5
 DIMENSIONS IN MM
 FINISH: CLEAN & DEBURR
 GENERAL: 0.5
 PROFILES: 1/2

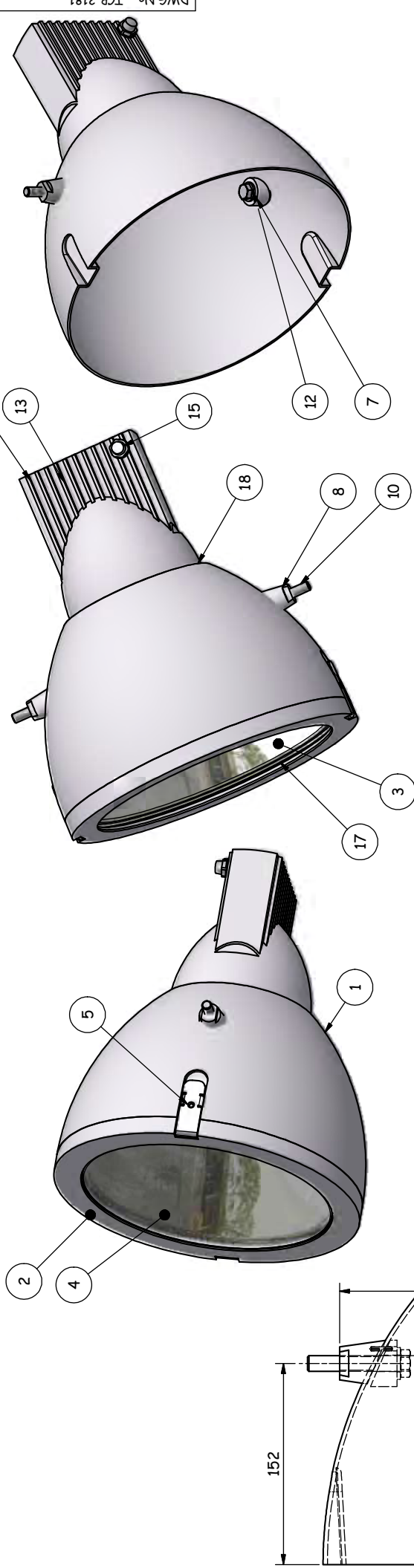
DRAWN: RC
 DATE: 29/09/2008
 CHECKED: [Signature]
 TITLE: ECOLITE 330MM 4 HEAD LAMP GIMBAL ASSY
 DRG. NO.: TCP-2970 SA
 SHEET 1 OF 1
 STOCK NO.: SA-2970

UNCONTROLLED DOCUMENT
 CHECK FOR AMMENDMENTS BEFORE USE

THIS DRAWING IS THE PROPERTY OF TAYLOR CONSTRUCTION PLANT LTD. © 2006
 AND MUST NOT BE COPIED, REPRODUCED OR DISCLOSED EXCEPT
 AS AUTHORISED IN WRITING BY TAYLOR CONSTRUCTION PLANT LTD.

THIRD ANGLE PROJECTION

TAYLOR CONSTRUCTION PLANT LTD. RESERVE THE RIGHT TO
 CHANGE PRODUCTS & SPECIFICATION WITHOUT PRIOR NOTICE



THE HEAD AND THREAD OF
 THE TWO M12 BOLTS AND
 THE MOUNTING FACES OF
 THE CONES NEEDS TO BE
 LIBERALLY COVERED IN
 SILICON TO ENSURE A
 WEATHER TIGHT SEAL.

UNCONTROLLED DOCUMENT
CHECK FOR AMENDMENTS BEFORE USE

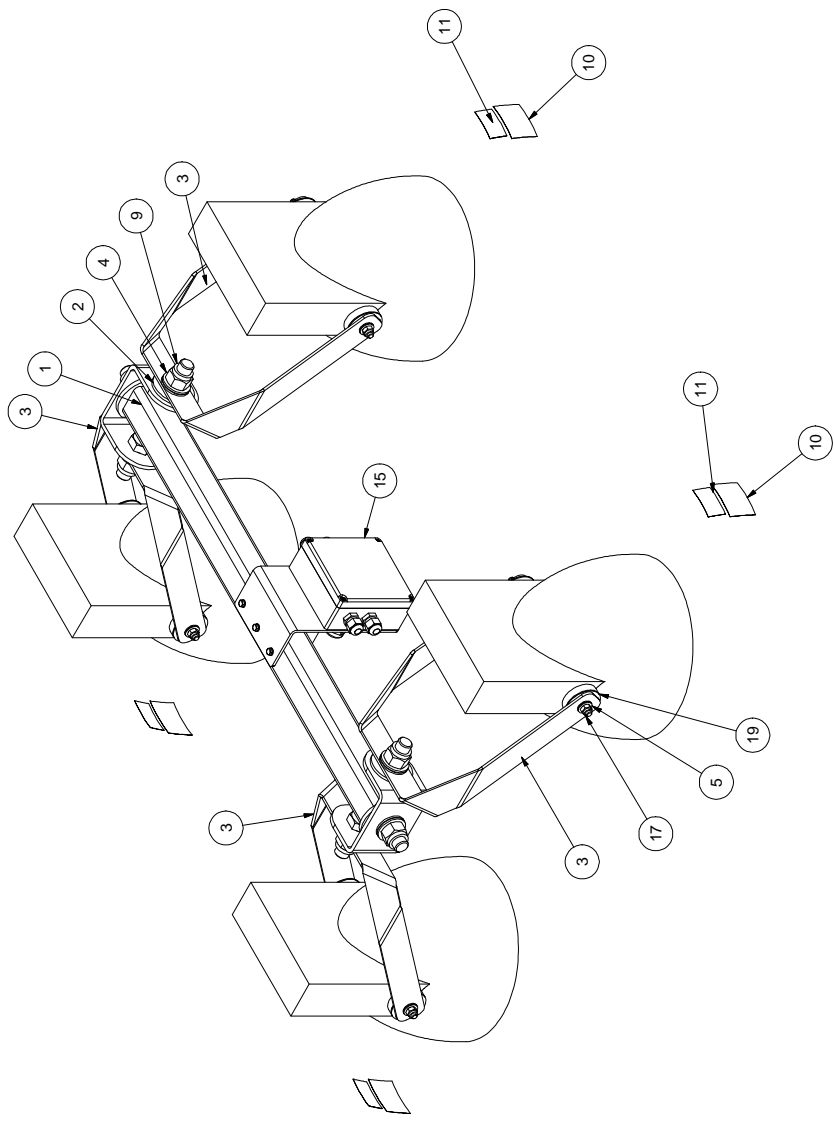
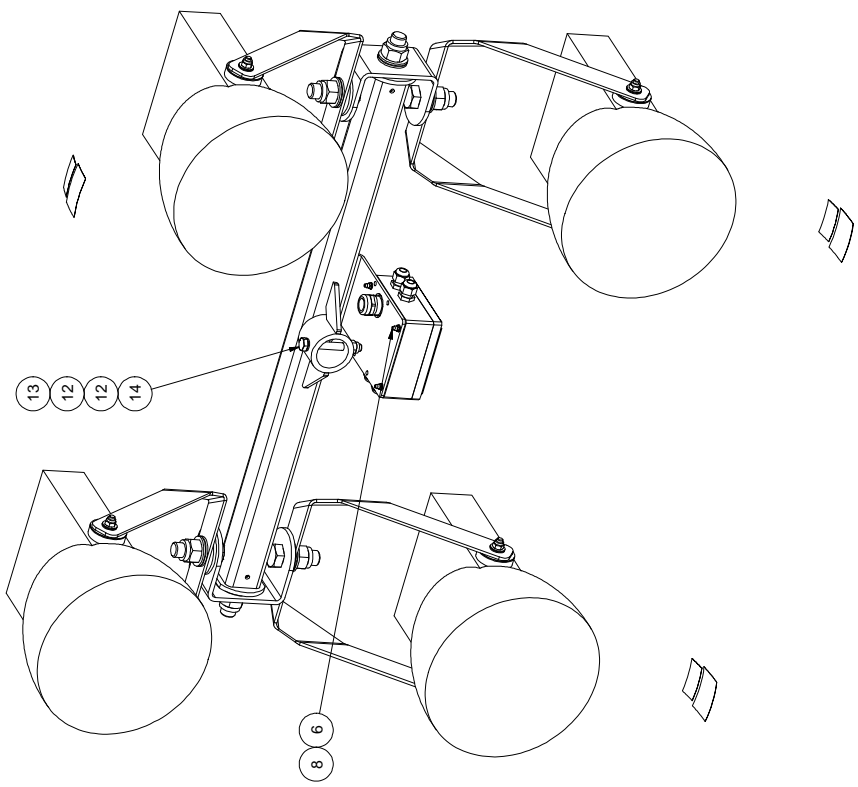
ITEM	DRG. No.	STOCK No.	DESCRIPTION	QTY
18	TCP-3473	72-0064	REAR SEAL RING	1
17	TCP-3472	72-0069	FRONT SEAL RING	1
16	TCP-3471	20-0198	'O' RING FOR BALLEST LID	4
14	TCP-3470	72-0052	BULB 150w	1
13	TCP-3469	72-0063	BALLEST LID, 330 DIA LAMP	1
15	TCP-3275	72-3275	PRESSURE EQUALISATION ELEMENT	1
12	BS 4320 - M12 (Form A)	02-0021	BRIGHT METAL WASHER - METRIC SERIES	2
10	ISO 4017 - M12 x 70	01-0220	HEXAGON HEAD SCREW	2
8	TCP-2185	72-0055	OUTER PIVOT	2
7	TCP-2184	72-0054	INNER PIVOT	2
6	TCP-3468	72-0059	BALLAST 150W	1
5	TCP-3467	72-0070	RETAINING CLIP	2
4	TCP-3466	72-0067	LENS, 330 DIA LAMP	1
3	TCP-3465	72-0066	REFLECTOR, 330 DIA LAMP	1
2	TCP-3464	72-0068	FRONT RING	1
1	TCP-3463	72-0065	FRONT HOUSING WITH TRUNIONS	1

DIMENSIONS IN		mm	1:1 @ A3
SCALE	TOL S-GENERAL	± 0.5	
HOLE CTRS/POSNS	HOLE Ø	± 0.2	
ANGLES		H9	
		± 1/2°	
MATERIAL		FINISH CLEAN & DEBURR	
C	DCA 00565, ASSEMBLY DWG ADDED	09/10	
B	DCA 00363, M12X70LG, SILICON TEXT	12/08	
A	INITIAL ISSUE	10/06	
ISS	DESCRIPTION	CHKD	DATE
TITLE: BOOSTER LAMP 150W x Ø330mm		DWN	RC
TAYLOR CONSTRUCTION PLANT LTD.		CHK'D	
QUAYSIDE PARK, BATES ROAD,		APP'D	
LONDON, E16 3JH		DATE	
TEL: 441623 8807 FAX: 441621 643330		STK No.	
WWW.TCP.EU.COM		72-0038	
DWG No. TCP-2181		DATE 09/06/2006	

ECOLITE-T

POLARIS x 150w LAMPS

Version - 2

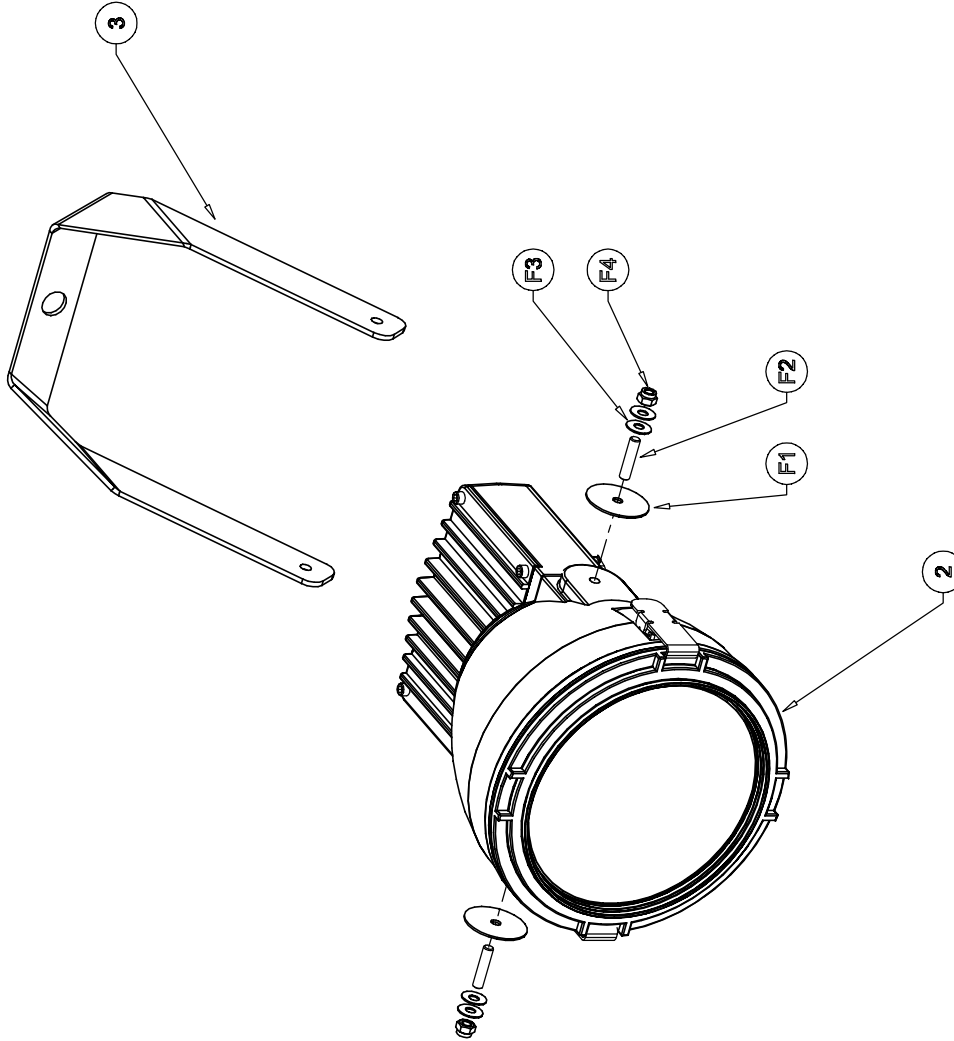
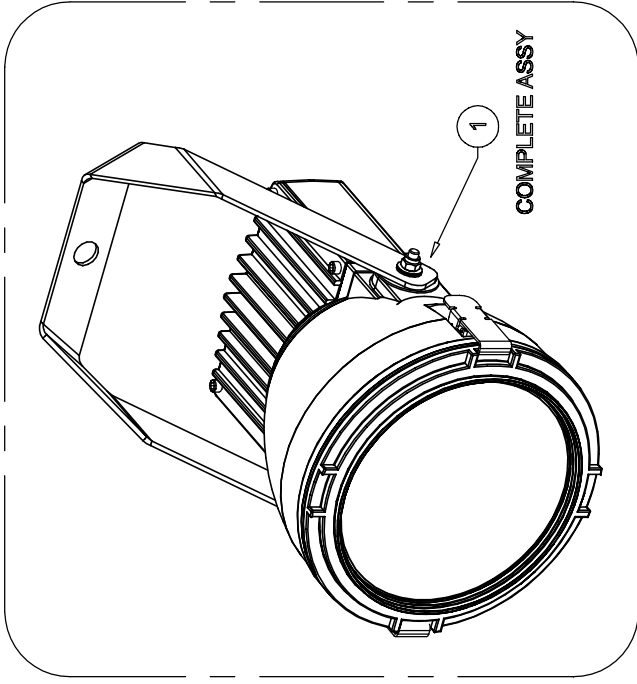


ITEM	DRG. No.	STOCK No.	KIT	DESCRIPTION	QTY
19	TCP-3751	02-3751		WASHER M8x50x1.5	8
18	TCP-3407	01-3407		M8x20 EQUAL LENGTH STUD	8
17	ISO 7040 - M8	01-0007		HEX NUT WITH TORQUE PART	8
16	150w POLARIS LAMP	72-0251		150w POLARIS LAMP	4
15	TCP-3382	99-3382		JUNCTION BOX ASSEMBLY - LARGE	1
14	ISO 4014 - M10 x 80	01-0182		HEXAGON HEAD BOLT - PRODUCT GRADES A and B	1
13	ISO 7040 - M10	01-0006		HEX NUT WITH TORQUE PART	1
12	BS 4320 - M8 (Form A)	02-0011		BRIGHT METAL WASHER - METRIC SERIES	2
11	TCP-1090	80-0040		DECAL - WARNING HOT SURFACE	4
10	TCP-1091	80-0041		DECAL - WARNING LAMP GLASS BROKEN	4
9	ISO 7040 - M20	01-0046		HEX NUT WITH TORQUE PART	6
8	ISO 7040 - M4	01-0019		HEX NUT WITH TORQUE PART	4
7	BS 4320 - M4 (Form A)	02-0028		BRIGHT METAL WASHER - METRIC SERIES	4
6	TCP-3526	01-3526		M4 POZI PAN SMALL HEAD - GB-823	4
5	M8 DISK SPRING - D20821	40-0028		M8 DISK SPRING	16
4	D4020425	40-0010		M20 DISK SPRING	12
3	TCP-3745	51-3745		LAMP SUPPORT BRACKET FIXED - POLARIS	4
2	TCP-4053	51-4053		FRICITION WASHER GIMBAL TEE BAR	6
1	TCP-4046	51-4105		GIMBAL TEE BAR ASSY	1
		51-4105		GIMBAL TEE BAR ASSY	1

DRAWN: CDR DATE: 16/11/2011 CHECKED:	TITLE: ECOLITE POLARIS LAMP GIMBAL ASSY DRG No: TCP-2970-06 SA SHEET 1 OF 1 STOCK No: ISA-2970-06
--	--

MATERIAL: FINISH: CLEAN & DEBURR SCALE: 1:5 DIMENSIONS IN mm TOL: GENERAL: ±0.5 PROLES: +1/2	STOCK No.: KIT TAYLOR CONSTRUCTION PLANT LTD. GARDEN ROAD, WINDYBUSH, NSW 2350 TEL: +61 6752 31000 WWW.TCP.COM.AU
--	---

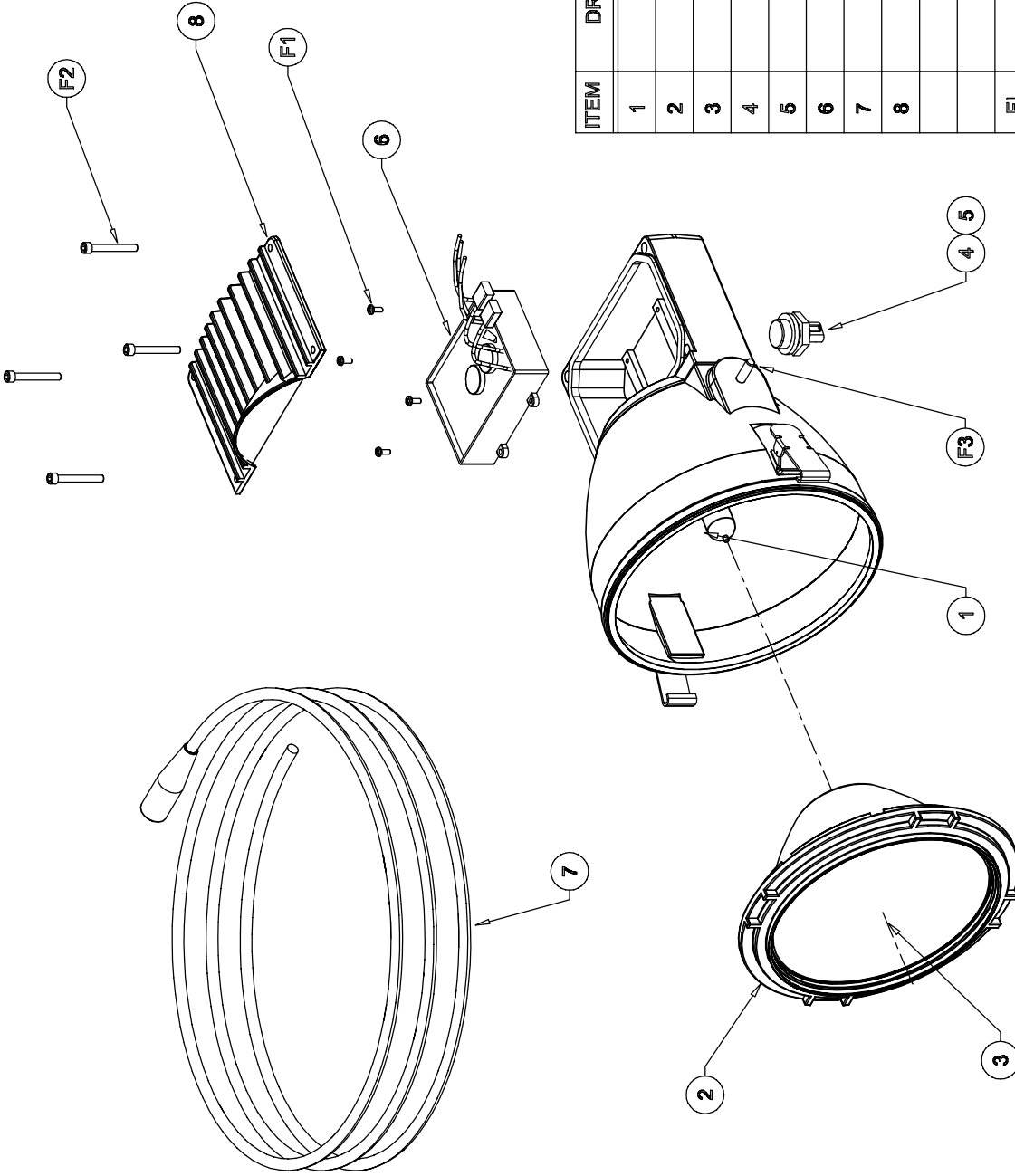
UNCONTROLLED DOCUMENT
CHECK FOR AMMENDMENTS BEFORE USE



ITEM	DRG No.	PART/Kit No.	DESCRIPTION	QTY
1	TCP-3919-01 SA	99-3919-01	POLARIS LAMP 150W COMPLETE	1
2		72-0251	POLARIS LAMP 150W	1
3	TCP-3745	51-3745	BRACKET. LAMP SUPPORT	1
4		80-0040	DECAL, WARNING HOT SURFACES	1
5		80-0041	DECAL, WARNING LAMP GLASS	1
F1		02-3751	M8 x Ø50 x 1.5 WASHER BZP	2
F2		01-0295	M8 x 30 DOUBLE ENDED STUD	2
F3		40-0028	DISC SPRING 8.2 I/D	4
F4		01-0007	M8 NYLOC NUT	2

UNCONTROLLED DOCUMENT
CHECK FOR AMENDMENTS BEFORE USE

DIMENSIONS IN		TAYLOR CONSTRUCTION PLANT LTD.		TITLE: POLARIS LAMP, 150W 60 x 90 COMPLETE WITH MOUNT KIT. ECOLITE T, P & TRIPOD		DRN	GAN
SCALE	TOL'S: GENERAL	MATERIAL	QUAYSIDE PARK, BATES ROAD, MALDON, ESSEX, CM8 8FA	DWG No. TCP-3919-01 SA		CHKD	DATE
HOLE Ø	ANGLES	FINISH.	TEL: +44 (0)1627 753441 EXT 848880 WWW.TCP.EU.COM	Sht. 1 of 2	BRK No. 99-3919-01	APPD	DATE
1:5	±0.25						30.04.2013
±0.2	±0.2						
±0.26°							



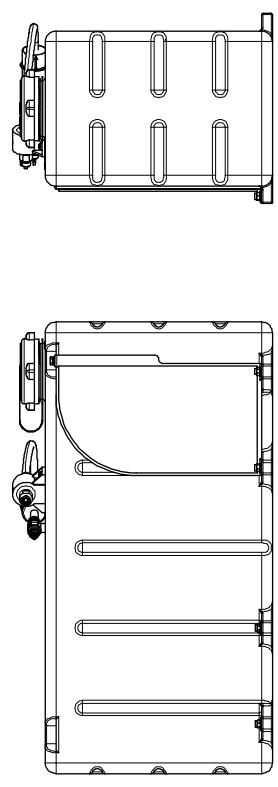
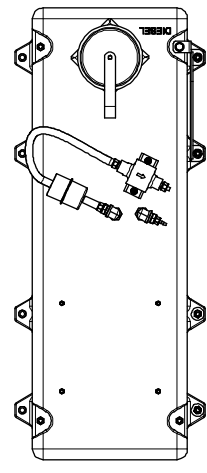
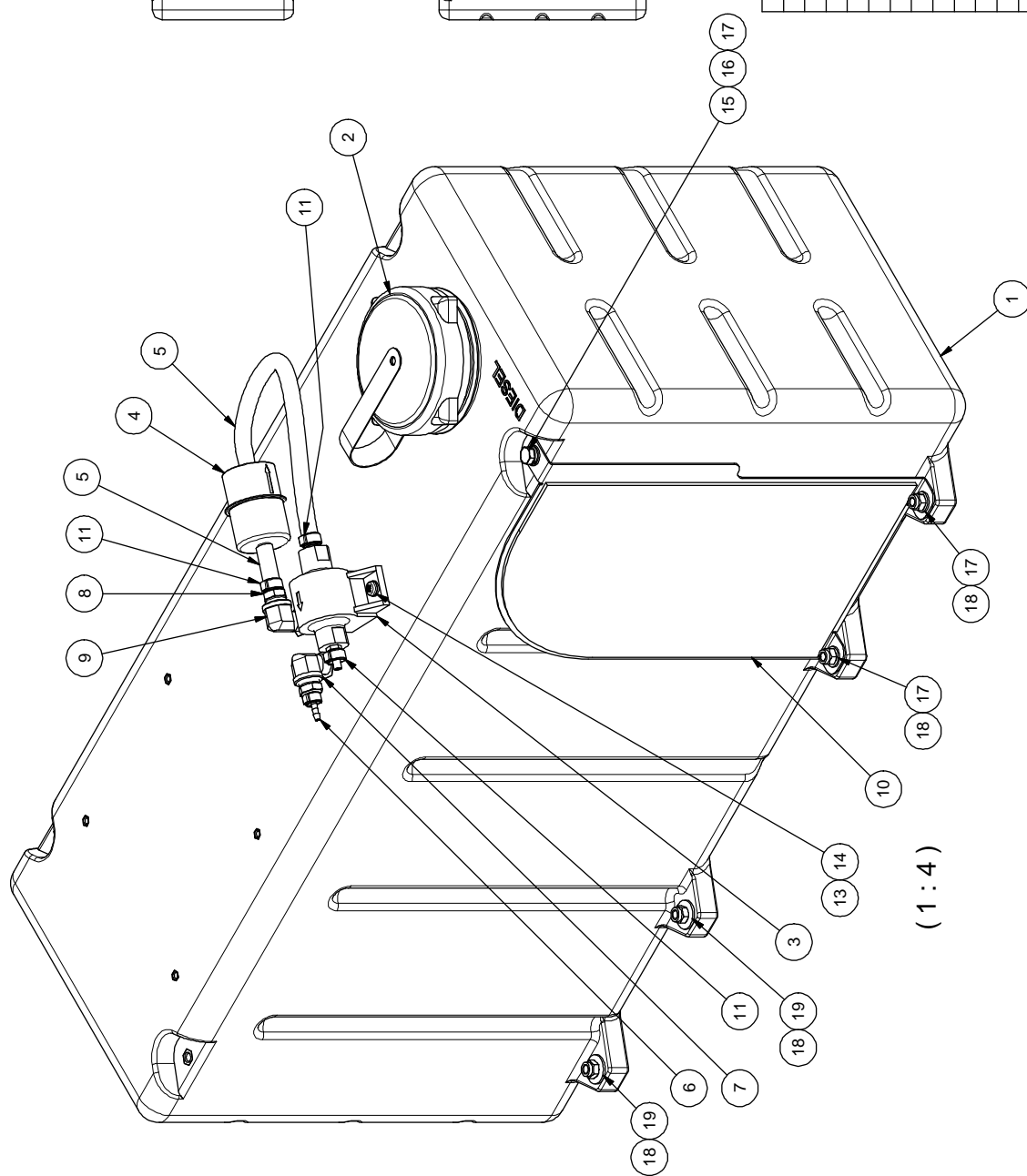
ITEM	DRG No.	PART/Kit No.	DESCRIPTION	QTY
1		72-0052	BULB, CDM 150W	1
2		72-0283	REFLECTOR & LENS ASSY	1
3		72-0232	LENS 60 x 90	1
4		72-0284	LAMP POWER SOCKET	1
5		72-0265	POWER SOCKET LOCKING PIN	1
6		72-0253	BALLAST 150W 220V	1
7		72-0255	POWER CABLE	1
8		72-0284	BALLAST COVER	1
F1			SUPPLIED WITH LAMP	4
F2		01-0319	M6 x 45 SKT HD SCREW ST/ST	4
F3		01-0295	M8 x 30 DOUBLE ENDED STUD	2

UNCONTROLLED DOCUMENT
CHECK FOR AMENDMENTS BEFORE USE

TAYLOR CONSTRUCTION PLANT LTD. CLAYBIDE PARK, BATES ROAD, MILDON, ESSEX, CH8 8FA TEL: +44(0)1807775344(EXT 84380) WWW.TCP.EU.COM		TITLE: POLARIS LAMP, 150W 60 x 90. REPLACEMENT PARTS.		DRN	GAN
DIMENSIONS IN mm		SCALE 1:5		CHKD	
TOLS: GENERAL		±0.25		APPD	
HOLE CTRS/POIS		±0.2		DATE	30.04.2013
HOLE Ø		±0.2			
ANGLES		±0.26°			
ISS	A	ISS	A		
	B		B		
	C		C		
	D		D		
	E		E		
	F		F		
	G		G		
	H		H		

ECOLITE-T
FUEL TANK
Version - 1

ISS	DESCRIPTION	DATE
A	INITIAL ISSUE	24/07/2008
B	SEE DCA 00283	12/08/2008



(1 : 10)

(1 : 4)

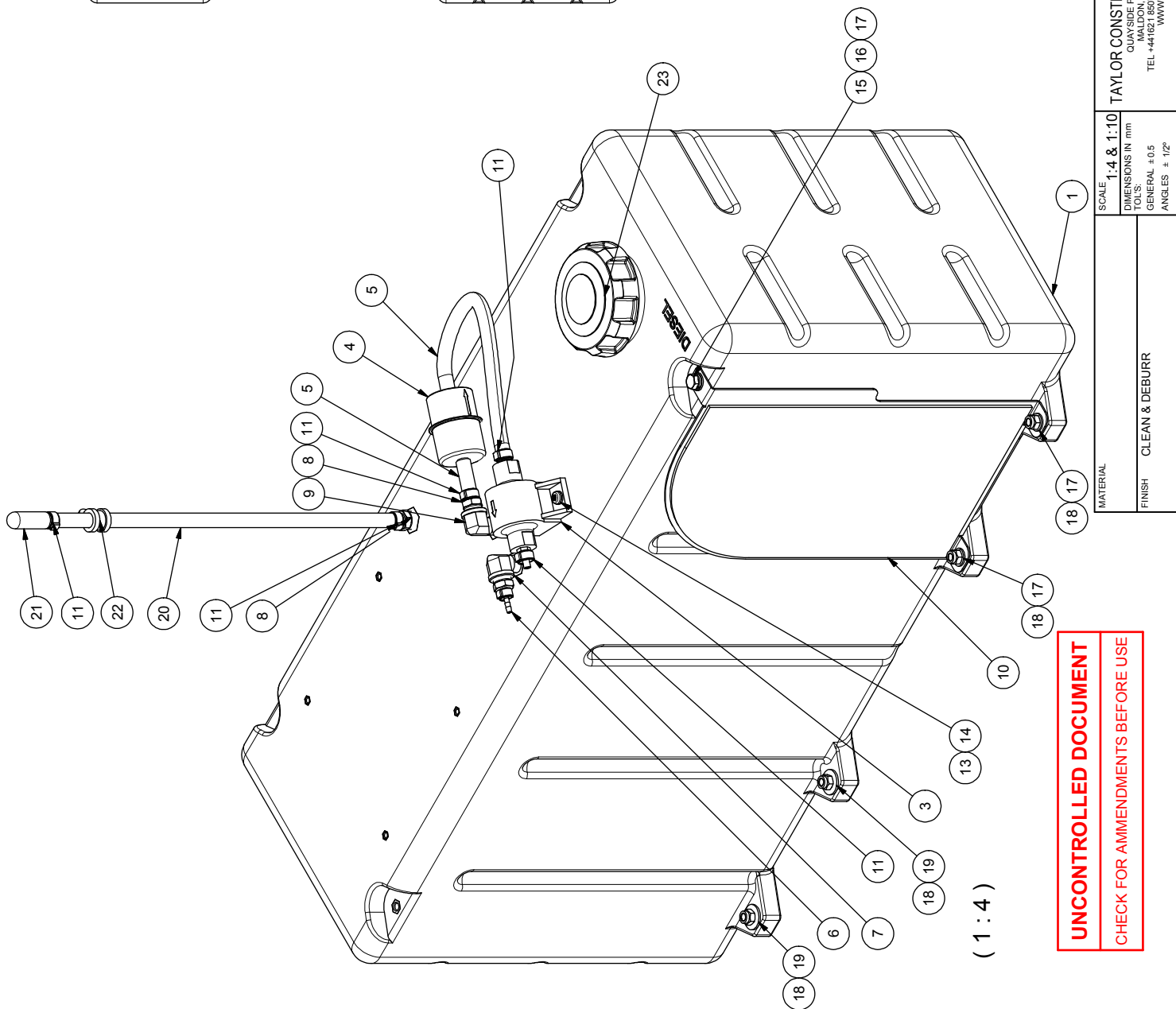
ITEM	DRG. NO.	STOCK NO.	KIT	DESCRIPTION	QTY
19	DIN 9021 - 8.4	02-0050		WASHER	2
18	ISO 7040 - M8	01-0007		HEX NUT WITH TORQUE PART	4
17	BS 4320 - M8 (FORM A)	02-0011		BRIGHT METAL WASHER - METRIC SERIES	3
16	BS 4464 - M8 FORM B	02-0012		SPRING WASHER - METRIC SERIES	1
15	ISO 4017 - M8 X 16 ST/ST	01-0079		HEXAGON HEAD SCREW	1
14	BS 4320 - M6 (FORM A)	02-0004		BRIGHT METAL WASHER - METRIC SERIES	2
13	ISO 7045 - M6 X 16 - 4.8 - Z	01-0201		PAN HEAD SCREW - GRADE A	2
12	TCP-3067	14-0037		HOSE CLIP DIA 11.5MM	1
11	TCP-3068	14-0038		HOSE CLIP DIA 13.3MM	3
10	TCP-3024	10-3024		EXHAUST HEAT SHIELD ASSY	1
9	TCP-3066	14-3066		FUEL PICKUP	1
8	TCP-3063	61-3063		3/8 BSP TO 7MM HOSE BARB TO MALE	1
7	TCP-3064	61-3064		3/8-3/8 BSP 90 ELBOW/MALE FEMALE	1
6	TCP-3065	61-3065		3/8 BSP TO 5MM HOSE BARB TO MALE	1
5	TCP-2186	14-0035		7MM ID FUEL HOSE	2
4	TCP-2385	12-2891		HATZ INLINE FUEL FILTER	1
3	TCP-2852	71-0138		12V FACET FUEL PUMP	1
2	TCP-2931	14-2868		FUEL FILLER CAP	1
1	TCP-2868	14-2868		FUEL TANK	1

UNCONTROLLED DOCUMENT
CHECK FOR AMMENDMENTS BEFORE USE

SCALE 1:4 & 1:10 DIMENSIONS IN MM TOL'S: GENERAL ± 0.5 ANGLES ± 1/2°		DRAWN RC DATE 24/07/2008 CHECKED		TITLE FUEL TANK ASSY	
MATERIAL FINISH CLEAN & DEBURR		DRG. NO. TCP-2867 SA		SHEET 1 OF 1 STOCK NO SA-2867	
TAYLOR CONSTRUCTION PLANT LTD. QUAYSIDE PARK, BATES ROAD, MALDON, ESSEX, CM9 5FA, TEL +441821 850777 FAX +441621 843330 WWW.TCP.EU.COM					

ECOLITE-T
FUEL TANK
Version - 2

ISS	DESCRIPTION	DATE
A	INITIAL ISSUE	15/11/2010



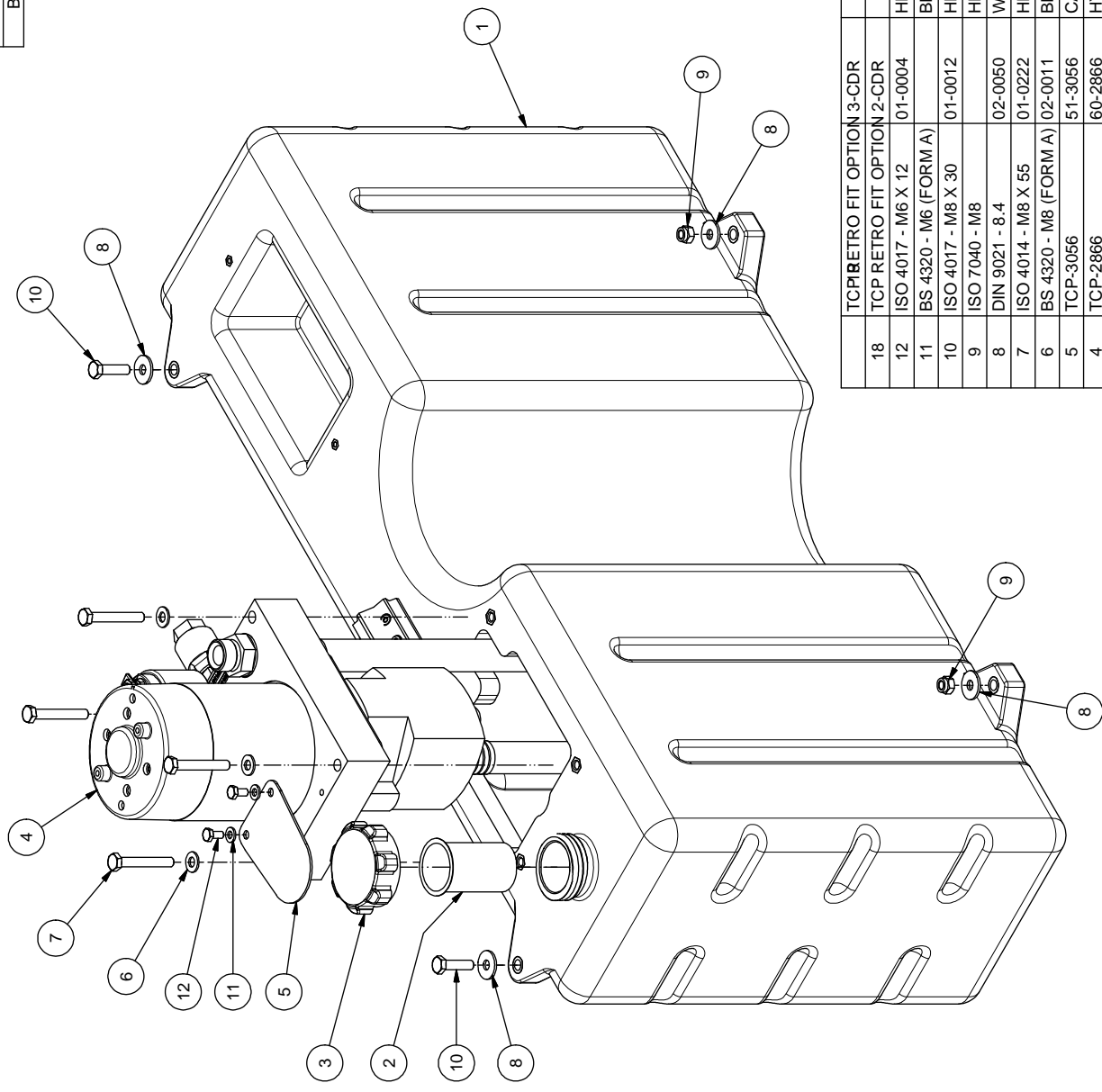
ITEM	DRG. No.	STOCK No.	KIT	DESCRIPTION	QTY
23	TCP-3529			KELCH NON-VENTED FILLER CAP	1
22	TCP-3515			P-CLIP Ø14	1
21	TCP-3507			SILENCER 8mm ID. FUEL TANK	1
20	TCP-3513			7mm FUEL HOSE, BREATHER, 410mm LG FOR ECO-P, 205mm LG FOR ECO-T	1
19	DIN 9021 - 8.4			WASHER	2
18	ISO 7040 - M8			HEX NUT WITH TORQUE PART	4
17	BS 4320 - M8 (Form A)			BRIGHT METAL WASHER - METRIC SERIES	3
16	BS 4464 - M8 Form B			SPRING WASHER - METRIC SERIES	1
15	ISO 4017 - M8 x 16 SVSt			HEXAGON HEAD SCREW	1
14	BS 4320 - M6 (Form A)			HEX METAL WASHER - METRIC SERIES	2
13	ISO 7045 - M6 x 16 - 4.8 - Z			PAN HEAD SCREW - GRADE A	2
12	TCP-3067			HOSE CLIP DIA 11.5mm	1
11	TCP-3068			HOSE CLIP DIA 13.3mm	5
10	TCP-3024			EXHAUST HEAT SHIELD ASSY	1
9	TCP-3066			FUEL PICKUP	1
8	TCP-3063			3/8 BSP TO 7mm HOSE BARB TO MALE	2
7	TCP-3064			3/8-3/8 BSPT 90 ELBOW MALE FEMALE	1
6	TCP-3065			3/8 BSP TO 5mm HOSE BARB TO MALE	1
5	TCP-2186			7mm ID FUEL HOSE	2
4	TCP-2385			HATZ INLINE FUEL FILTER	1
3	TCP-2852			12V FACET FUEL PUMP	1
1	TCP-3528			FUEL TANK WITH BREATHER	1

TAYLOR CONSTRUCTION PLANT LTD. QUAYSIDE PARK BATES ROAD, WALDON, ESSEX, CM6 9FA, TEL +441621 850777 FAX +441621 843330 WWW.TOP.EU.COM		DRAWN: CDR DATE: 15/11/2010 CHECKED:	TITLE: FUEL TANK ASSY WITH BREATHER STOCK No.: TCP-3511 SA DRG. No.: TCP-3511 SHEET 1 OF 1 STOCK No.: SA-3511
SCALE: 1:4 & 1:10 DIMENSIONS IN mm TOLS: GENERAL ± 0.5 ANGLES ± 1/2°		MATERIAL: CLEAN & DEBURR FINISH:	

UNCONTROLLED DOCUMENT
CHECK FOR AMMENDMENTS BEFORE USE

ECOLITE-T
HYDRAULICS
Version - 1

ISS	DESCRIPTION	DATE
A	INITIAL ISSUE	07/07/2008
B	SEE DCA 00282	11/07/2008



ITEM	DRG. NO.	STOCK NO.	DESCRIPTION	QTY
18	TCP RETRO FIT OPTION 3-CDR			1
	TCP RETRO FIT OPTION 2-CDR			1
12	ISO 4017 - M6 X 12	01-0004	HEXAGON HEAD SCREW	2
11	BS 4320 - M6 (FORM A)		BRIGHT METAL WASHER - METRIC SERIES	2
10	ISO 4017 - M8 X 30	01-0012	HEXAGON HEAD SCREW	2
9	ISO 7040 - M8		HEX NUT WITH TORQUE PART	2
8	DIN 9021 - 8.4	02-0050	WASHER	4
7	ISO 4014 - M8 X 55	01-0222	HEXAGON HEAD BOLT - PRODUCT GRADES A AND B	4
6	BS 4320 - M8 (FORM A)	02-0011	BRIGHT METAL WASHER - METRIC SERIES	4
5	TCP-3056	51-3056	CAP COVER PLATE	1
4	TCP-2866	60-2866	HYDRAULIC PUMP	1
3	TCP-2960	61-2960	HYDRAULIC TANK CAP	1
2	TCP-2864	61-2864	HYDRAULIC TANK FILLER FILTER	1
1	TCP-2863	61-2863	HYDRAULIC TANK	1

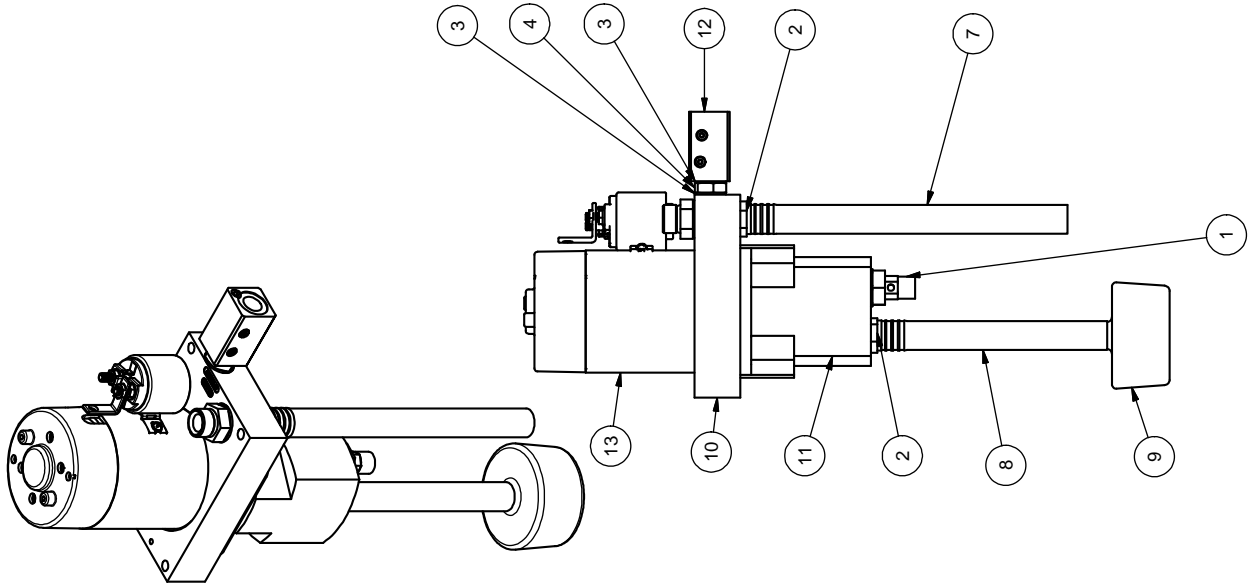
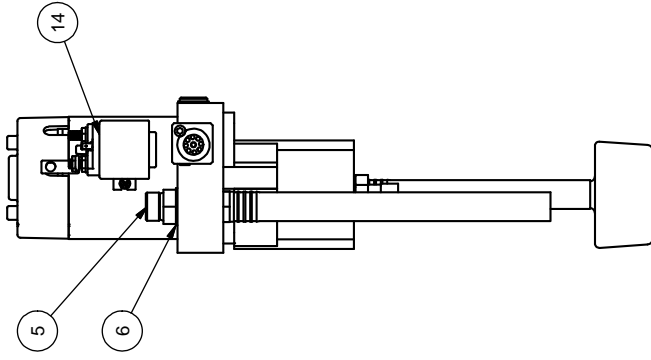
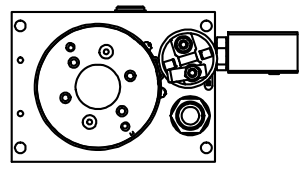
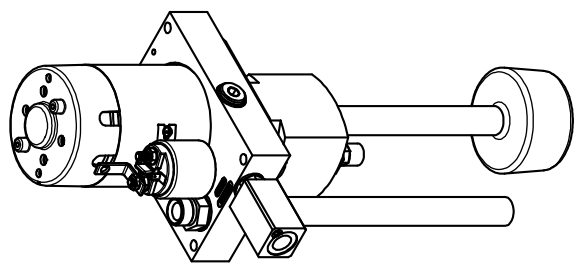
UNCONTROLLED DOCUMENT

CHECK FOR AMMENDMENTS BEFORE USE

MATERIAL		SCALE 1:4		TAYLOR CONSTRUCTION PLANT LTD.	
FINISH CLEAN & DEBURR		DIMENSIONS IN MM		QUAYNOR PARK, BRISTOL, AVON,	
		TOL'S:		MILDON, ESSEX, CM9 5FA	
		GENERAL ± 0.5		TEL +441621 850777 FAX +441621 843330	
		ANGLES ± 1/2°		WWW.TCP.EU.COM	
		DRAWN RC		TITILE HYDRAULIC TANK	
		DATE 07/08/2008		DRG. NO. TCP-2862 SA	
		CHECKED		SHEET 1 OF 1	
				STOCK NO SA-2862	

A3

ISS	DESCRIPTION	DATE
D	INITIAL ISSUE	29/09/2010

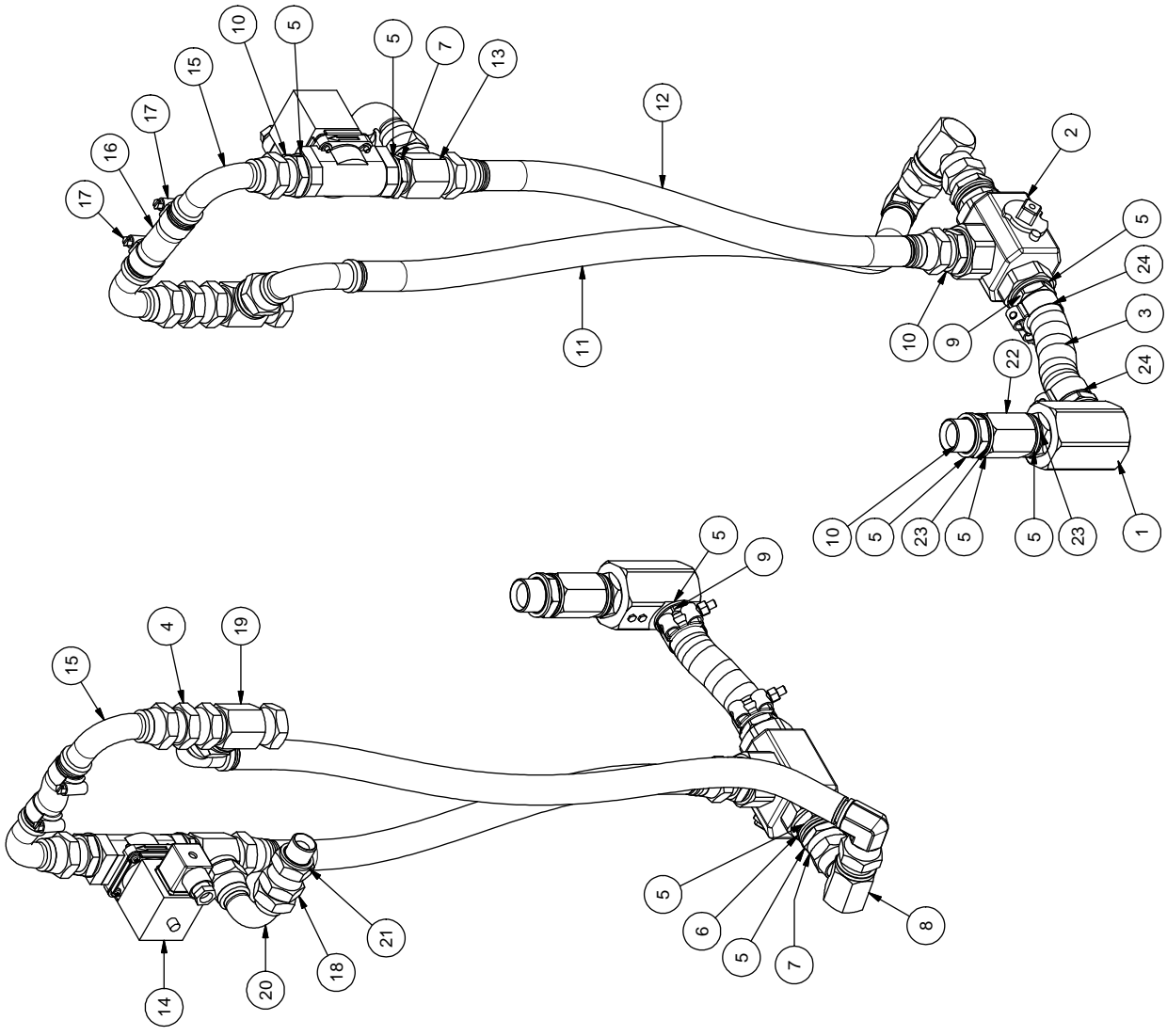


ITEM	DRG. NO.	STOCK NO.	DESCRIPTION	QTY
14	TCP-3462	60-3462	SOLENOID, HYDRAULIC PUMP	1
13	TCP-3461	60-3461	MOTOR, HYDRAULIC PUMP	1
12	TCP-3338	60-3338	VALVE, CHECK & PRESSURE	1
11	TCP-3455	60-3455	PUMP, HYDRAULIC	1
10	TCP-3456	60-3456	MANIFOLD BLOCK	1
9	TCP-3451	60-3451	SUCTION FILTER	1
8	TCP-3452	60-3452	SUCTION HOSE	1
7	TCP-3454	60-3454	RETURN HOSE	1
6	TCP-2250	62-0014	3/4 INCH BONDED WASHER	2
5	TCP-2251	62-0013	3/4 INCH MALE MALE ADAPTOR	1
4		62-0009	1/2 INCH MALE MALE ADAPTOR	1
3		62-0011	1/2 INCH BONDED WASHER	3
2	TCP-3453	60-3453	1" PLASTIC HOSE TAIL	2
1	TCP-3457	60-3457	PRESSURE RELIEF VALVE 11 BAR	1

UNCONTROLLED DOCUMENT
CHECK FOR AMMENDMENTS BEFORE USE

MATERIAL	SCALE		TAYLOR CONSTRUCTION PLANT LTD. QUAYSIDE PARK, BATES ROAD, WALDON, ESSEX, CH65 5FA, TEL +441621 850777 FAX +441621 843330 WWW.TCP.EU.COM
	CLEAN & DEBURR	DIMENSIONS IN MM GENERAL ± 0.5 ANGLES ± 1/2°	
FINISH		DRAWN	TITLE
		CR	HYDRAULIC PUMP
		DATE	DRG. NO.
		29/09/2010	TCP-2866
		CHECKED	SHEET 1
			OF 1
			STOCK NO
			60-2866
			THIRD ANGLE
			A3

ISS	DESCRIPTION	DATE
A	INITIAL ISSUE	17/09/2008
B	SEE DCA 00322	24/10/2008
C	SEE DCA 00387	26/02/2009
D	SEE DCA 00416	13/07/2009



ITEM	DRG. NO.	STOCK NO.	KIT	DESCRIPTION	QTY
24	TCP-3209	03-3209		HI-TORQUE JUBILEE CLIP 29-31MM	2
23	TCP-2250	62-0143		3/4 INCH COPPER WASHER	2
22	TCP-3141	62-3141		3- 4 BSP BARREL	1
21		62-0011		1/2 INCH BONDED WASHER	1
20		62-0135		3/4 SWEPT ELBOW MALE FEMALE	1
19		62-0208		3/4 INCH TEE FM M M ON BRANCH	1
18	TCP-2989	62-2989		1/2" TO 3/4" M-F SWIVEL ADAPTOR	1
17	TCP-3016	03-0204		JUBILEE HOSE CLIP 18 - 25MM	2
16	TCP-3015	62-3015		3/4 INCH ID RUBBER HOSE SAE100R6	64MM
15	TCP-3011	62-3011		3/4 INCH SWEPT 90 ELBOW	2
14	TCP-2981	60-2981		3/4 INCH 12 VOLT SOLANOID VALVE	1
13	TCP-2979	62-2979		3/4 INCH MALE TEE	1
12	TCP-3013	62-3013		MAIN SUPPLY AND RETURN HOSE	1
11	TCP-3014	62-3014		AMOS HOSE	1
10	TCP-2251	62-0013		3/4 INCH BSP MALE MALE ADAPTOR	3
9	TCP-2180	62-0153		3/4 INCH BSP HOSE TAIL	2
8	TCP-3057	62-2990		3/4 INCH M F COMPACT ELBOW	1
7	TCP-2252	62-0144		3/4 INCH BULKHEAD ADAPTOR NUT	2
6		62-0134		3/4 INCH BULKHEAD ADAPTOR CW NUTS	1
5	TCP-2389	62-0014		3/4 INCH BONDED WASHER	10
4	TCP-2467	62-0132		3/4 INCH MALE FEMALE SWIVEL	1
3	TCP-3012	62-0183		1" ID RUBBER HOSE SAE100R6 (120LG)	130MM
2	TCP-2151	60-0064		3/4 BSP 3 WAY BALL VALVE (CAST)	1
1	TCP-1961	62-0133		3/4 BSP 90° ROTARY COUPLING	1

TAYLOR CONSTRUCTION PLANT LTD.
 QUAYSIDE PARK, BATES ROAD,
 WALTON, ESSEX, CM8 5FA,
 TEL +441621 850777 FAX +441621 843330
 WWW.TCP.EU.COM

SCALE 1:4
 DIMENSIONS IN MM
 TOL'S:
 GENERAL ± 0.5
 ANGLES ± 1/2°

FINISH CLEAN & DEBURR

MATERIAL

DRG. NO. TCP-3010

SHEET 1 OF 1

STOCK NO

DATE 17/09/2008

DRAWN RC

CHECKED

TITLE HYDRAULIC ASSEMBLY LAYOUT

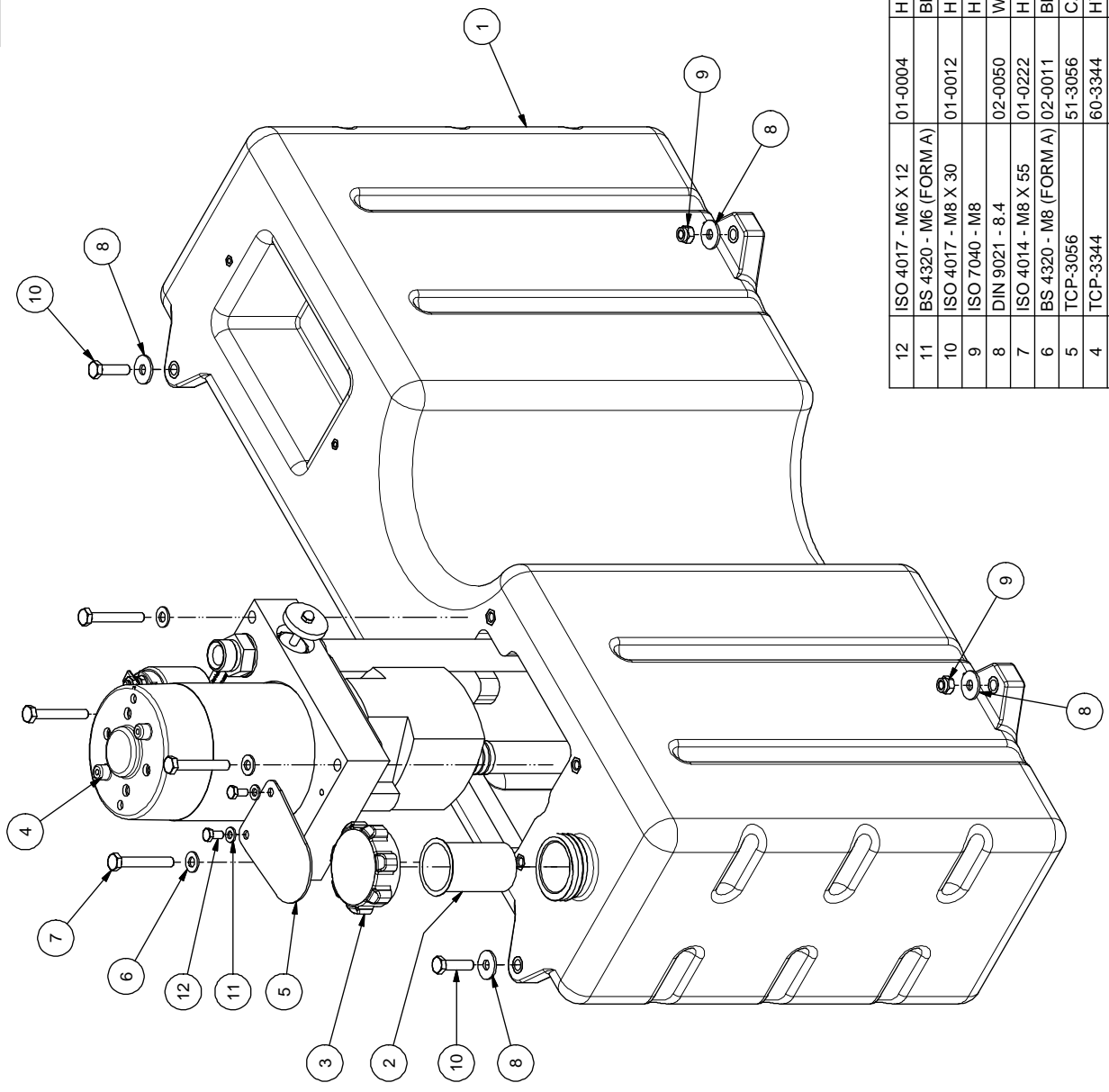
THIRD ANGLE

A3

UNCONTROLLED DOCUMENT
 CHECK FOR AMMENDMENTS BEFORE USE

ECOLITE-T
HYDRAULICS
Version - 2

ISS	DESCRIPTION	DATE
A	INITIAL ISSUE	05/05/2010



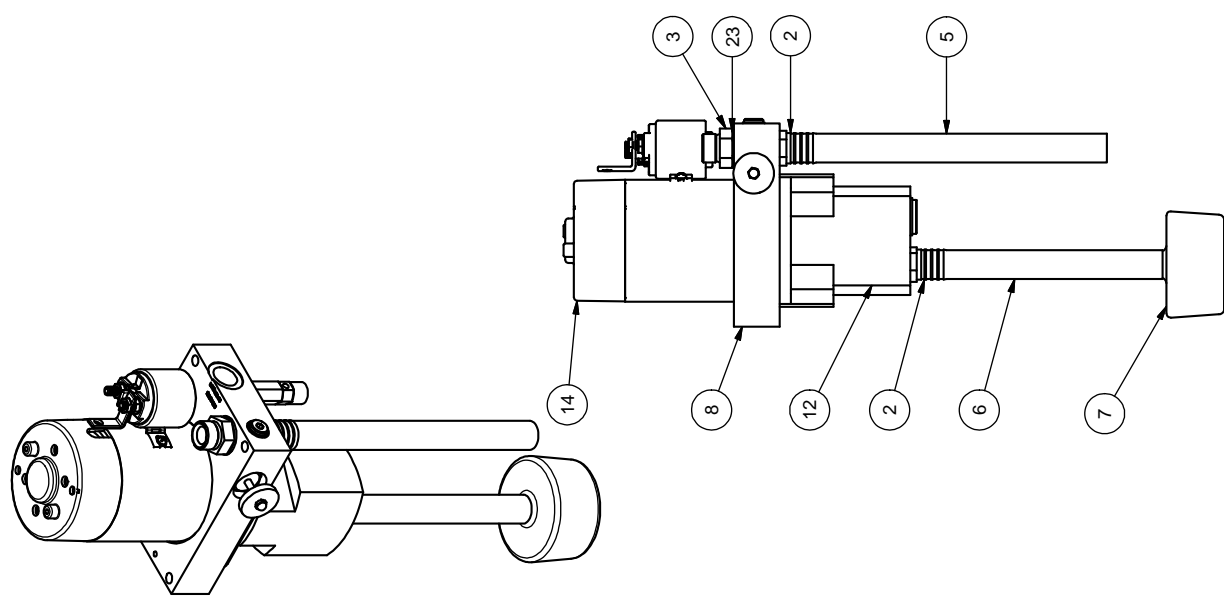
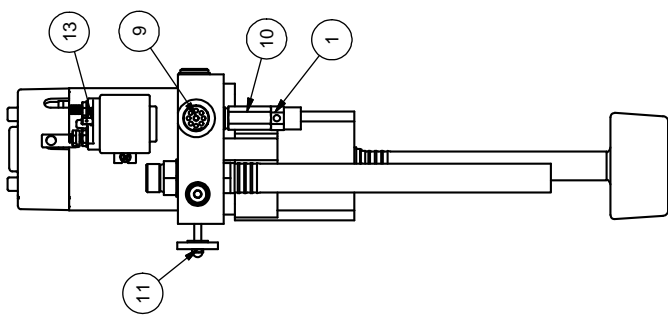
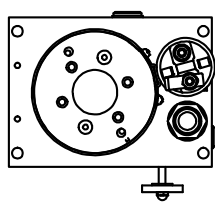
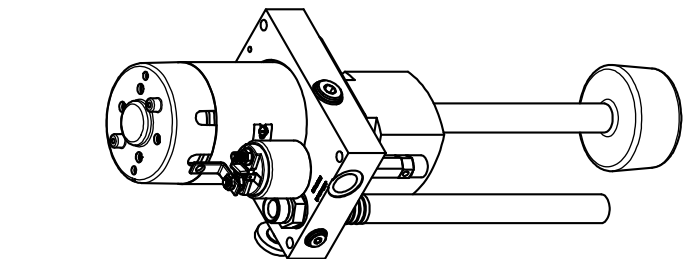
ITEM	DRG. NO.	STOCK NO.	DESCRIPTION	QTY
12	ISO 4017 - M6 X 12	01-0004	HEXAGON HEAD SCREW	2
11	BS 4320 - M6 (FORM A)		BRIGHT METAL WASHER - METRIC SERIES	2
10	ISO 4017 - M8 X 30	01-0012	HEXAGON HEAD SCREW	2
9	ISO 7040 - M8		HEX NUT WITH TORQUE PART	2
8	DIN 9021 - 8.4	02-0050	WASHER	4
7	ISO 4014 - M8 X 55	01-0222	HEXAGON HEAD BOLT - PRODUCT GRADES A AND B	4
6	BS 4320 - M8 (FORM A)	02-0011	BRIGHT METAL WASHER - METRIC SERIES	4
5	TCP-3056	51-3056	CAP COVER PLATE	1
4	TCP-3344	60-3344	HYDRAULIC PUMP WITH COMBINED MANIFOLD	1
3	TCP-2960	61-2960	HYDRAULIC TANK CAP	1
2	TCP-2864	61-2864	HYDRAULIC TANK FILLER FILTER	1
1	TCP-2863	61-2863	HYDRAULIC TANK	1

UNCONTROLLED DOCUMENT
CHECK FOR AMMENDMENTS BEFORE USE

MATERIAL	SCALE	1:4
FINISH	DIMENSIONS IN MM	TOL'S:
CLEAN & DEBURR	GENERAL	± 0.5
	ANGLES	± 1/2°

TAYLOR CONSTRUCTION PLANT LTD. GUYARD PARK, BRATES FORD, WILTS. MILTON, WILTSHIRE, WILTS. SN6 9FA. TEL +441821 850777 FAX +441621 843330 WWW.TCP.EU.COM	DRAWN	RC	TITLE	HYDRAULIC TANK WITH COMBINED MANIFOLD
DATE	07/08/2008	CHECKED	DRG. NO.	TCP-3374 SA
SHEET	1	STOCK NO.	SA-3374	
OF	1			

ISS	DESCRIPTION	DATE
A	INITIAL ISSUE	29/09/2010



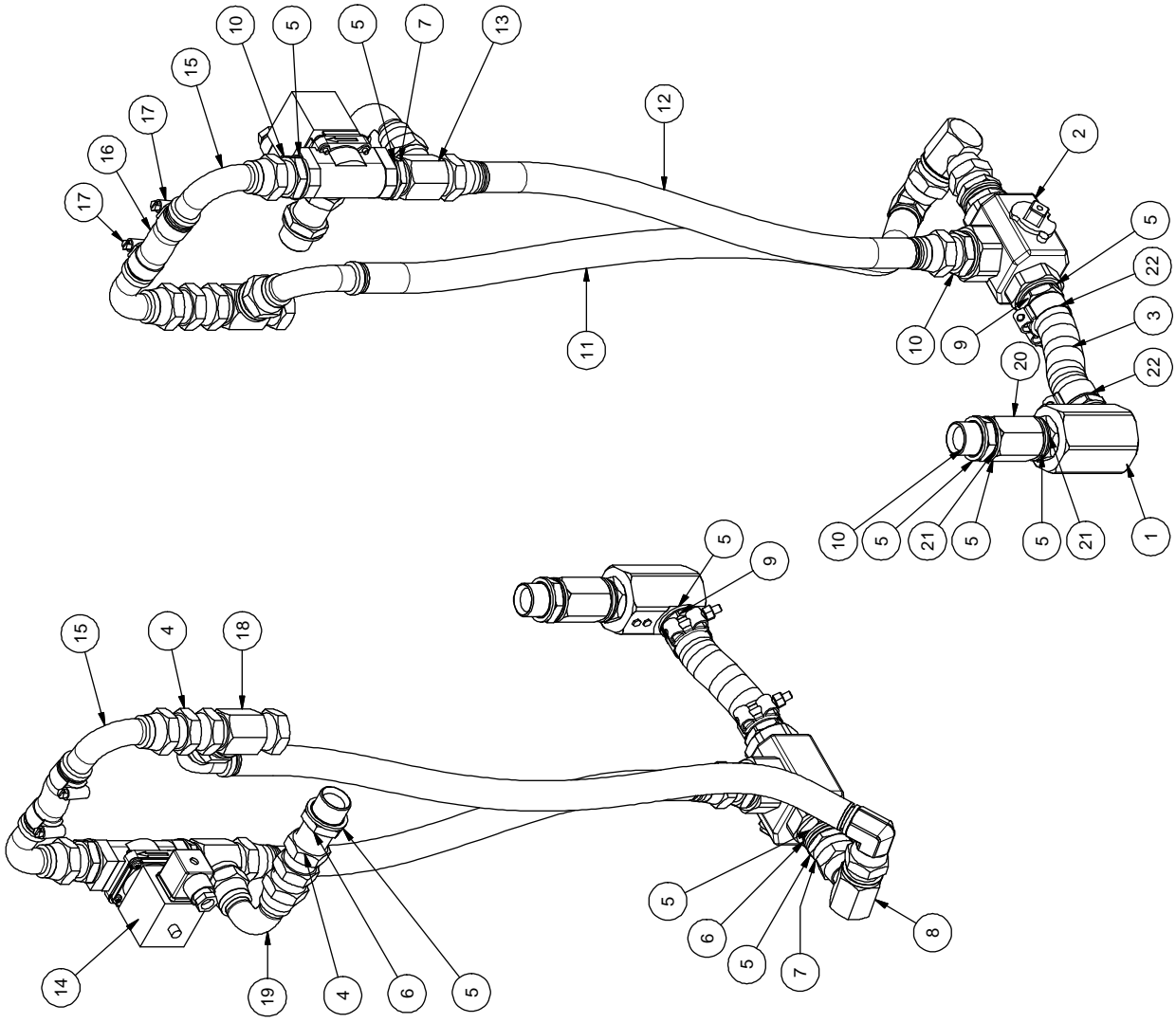
ITEM	DRG. NO.	STOCK NO.	DESCRIPTION	QTY
23	TCP-2250	62-0014	3/4 INCH BONDED WASHER	2
14	TCP-3461	60-3461	MOTOR, HYDRAULIC PUMP	1
13	TCP-3462	60-3462	SOLENIOD, HYDRAULIC PUMP	1
12	TCP-3455	60-3455	PUMP, HYDRAULIC	1
11	TCP-3460	60-3460	MANUAL OVERRIDE VALVE	1
10	TCP-3458	60-3458	SPACER, PRESSURE RELIEF VALVE	1
9	TCP-3459	60-3459	INTERNAL RELIEF VALVE	1
8	TCP-3456	60-3456	COMBINED MANIFOLD BLOCK	1
7	TCP-3451	60-3451	SUCTION FILTER	1
6	TCP-3452	60-3452	SUCTION HOSE	1
5	TCP-3454	60-3454	RETURN HOSE	1
3	TCP-2251	62-0013	3/4 INCH MALE ADAPTOR	1
2	TCP-3453	60-3453	1" PLASTIC HOSE TAIL	2
1	TCP-3457	60-3457	PRESSURE RELIEF VALVE 11 BAR	1

UNCONTROLLED DOCUMENT
CHECK FOR AMMENDMENTS BEFORE USE

MATERIAL	SCALE	TITLE	THIRD ANGLE
	CLEAN & DEBURR	HYDRAULIC PUMP WITH COMBINED MANIFOLD	
FINISH	DIMENSIONS IN MM	DRAWN	CR
	TOL'S:	DATE	29/09/2010
	GENERAL ± 0.5	CHECKED	
	ANGLES ± 1/2°	DRG. NO.	TCP-3344
		SHEET 1	OF 1
		STOCK NO.	60-3344

TAYLOR CONSTRUCTION PLANT LTD.
 QUAYSIDE PARK, BRISTOL, AVON,
 WALSLEDON, ESSEX, CM8 5FA,
 TEL +441621 850777 FAX +441621 843330
 WWW.TCP.EU.COM

ISS	DESCRIPTION	DATE
A	INITIAL ISSUE	30/04/2010



ITEM	DRG. NO.	STOCK NO.	KIT	DESCRIPTION	QTY
22	TCP-3209	03-3209		HI-TORQUE JUBILEE CLIP 29-31MM	2
21	TCP-2250	62-0143		3/4 INCH COPPER WASHER	2
20	TCP-3141	62-3141		3.4 BSP BARREL	1
19		62-0184		3/4 SWEPT ELBOW FEMALE FEMALE	1
18		62-0208		3/4 INCH TEE FM MM ON BRANCH	1
17	TCP-3016	03-0204		JUBILEE HOSE CLIP 18 - 25MM	2
16	TCP-3015	62-3015		3/4 INCH ID RUBBER HOSE SAE100R6	64MM
15	TCP-3011	62-3011		3/4 INCH SWEPT 90 ELBOW	2
14	TCP-2981	60-2981		3/4 INCH 12 VOLT SOLANOID VALVE	1
13	TCP-2979	62-2979		3/4 INCH MALE TEE	1
12	TCP-3013	62-3013		MAIN SUPPLY AND RETURN HOSE	1
11	TCP-3014	62-3014		AMOS HOSE	1
10	TCP-2251	62-0013		3/4 INCH BSP MALE MALE ADAPTOR	3
9	TCP-2180	62-0153		3/4 INCH BSP HOSE TAIL	2
8	TCP-3057	62-2990		3/4 INCH M F COMPACT ELBOW	1
7	TCP-2252	62-0144		3/4 INCH BULKHEAD ADAPTOR NUT	2
6	TCP-2389	62-0134		3/4 INCH BULKHEAD ADAPTOR CW NUTS	2
5	TCP-2467	62-0014		3/4 INCH BONDED WASHER	11
4	TCP-2467	62-0132		3/4 INCH MALE FEMALE SWIVEL	2
3	TCP-3012	62-0183		1" I/D RUBBER HOSE SAE100R6 (120LG)	130MM
2	TCP-2151	60-0064		3/4 BSP 3 WAY BALL VALVE (CAST)	1
1	TCP-1961	62-0133		3/4 BSP 90° ROTARY COUPLING	1

TAYLOR CONSTRUCTION PLANT LTD.
 QUAYSIDE PARK, BATES ROAD,
 MALDON, ESSEX, CM9 5FA,
 TEL +441821 850777 FAX +441821 843330
 WWW.TCP.EU.COM

HYDRAULIC ASSY LAYOUT-COMBINED MANIFOLD

DRG. NO. TCP-3372

SHEET 1 OF 1

STOCK NO.

DATE 30/04/2010

CHECKED

DRAWN CDR

SCALE 1:4

DIMENSIONS IN MM

TOL'S:

GENERAL ± 0.5

ANGLES ± 1/2°

FINISH CLEAN & DEBURR

THIRD ANGLE

A3

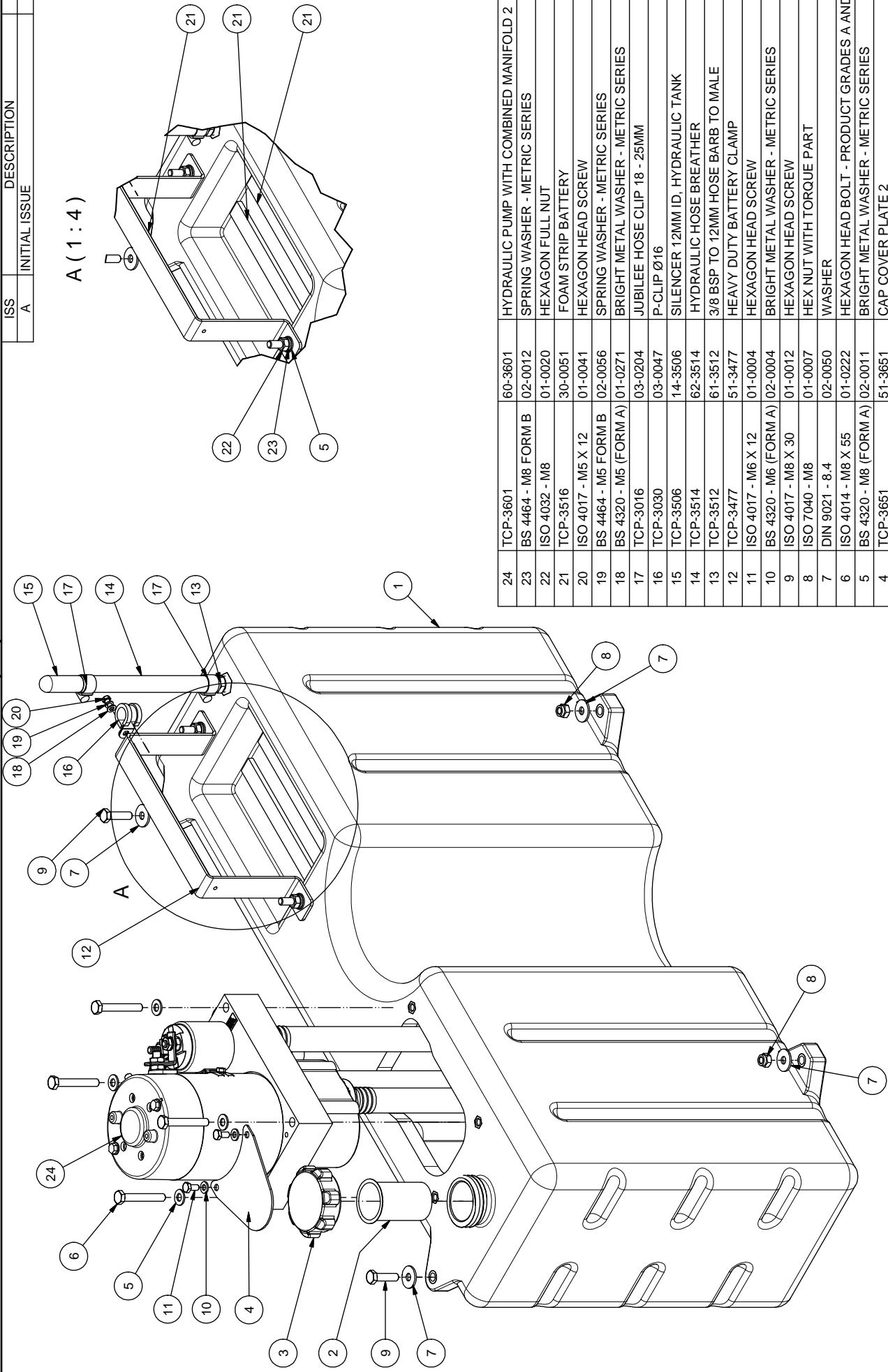
UNCONTROLLED DOCUMENT

CHECK FOR AMMENDMENTS BEFORE USE

ECOLITE-T
HYDRAULICS
Version - 3

ISS	DESCRIPTION	DATE
A	INITIAL ISSUE	15/11/2010

A (1 : 4)

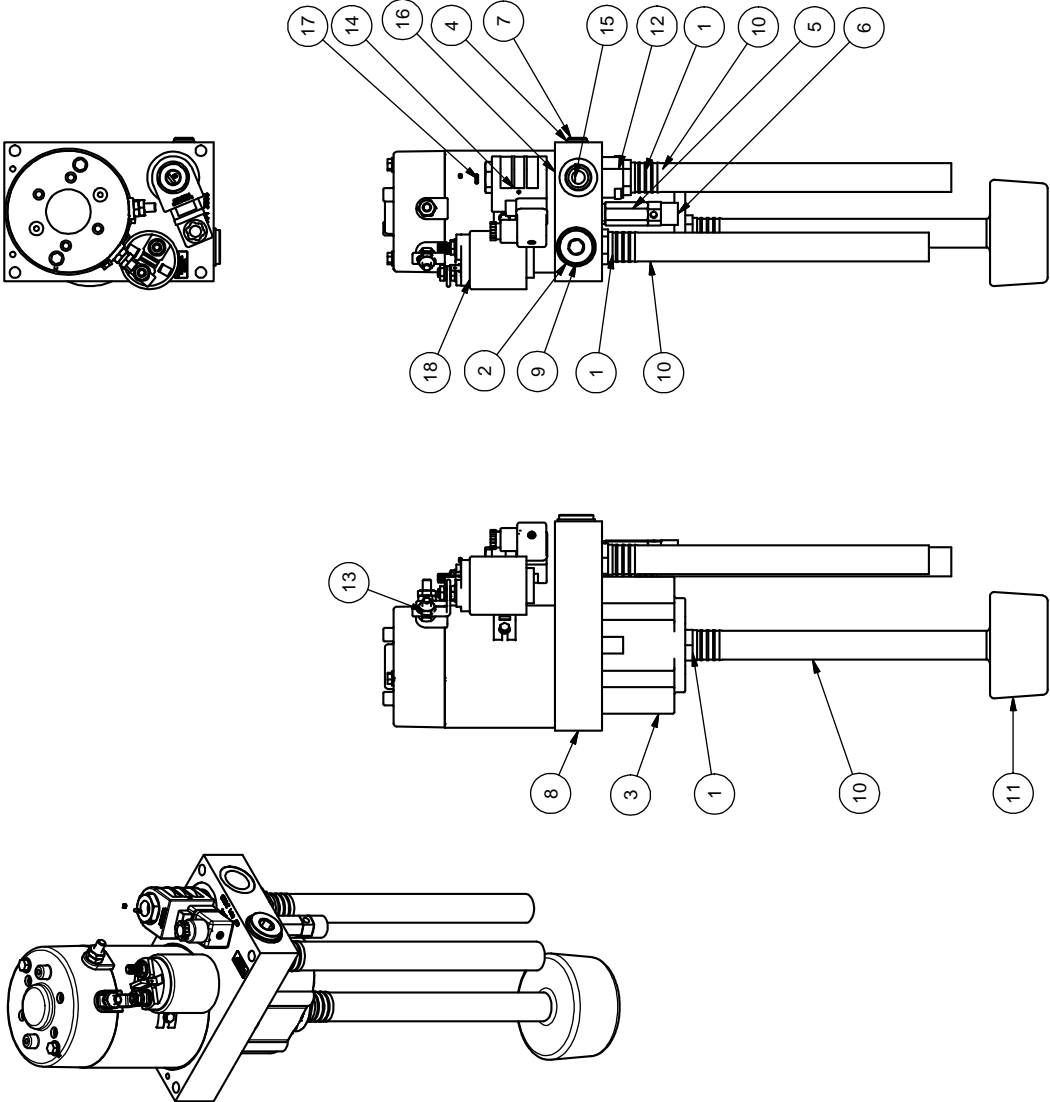


ITEM	DRG. NO.	STOCK NO.	DESCRIPTION	QTY
24	TCP-3601	60-3601	HYDRAULIC PUMP WITH COMBINED MANIFOLD 2	1
23	BS 4464 - M8 FORM B	02-0012	SPRING WASHER - METRIC SERIES	2
22	ISO 4032 - M8	01-0020	HEXAGON FULL NUT	2
21	TCP-3516	30-0051	FOAM STRIP BATTERY	3
20	ISO 4017 - M5 X 12	01-0041	HEXAGON HEAD SCREW	1
19	BS 4464 - M5 FORM B	02-0056	SPRING WASHER - METRIC SERIES	1
18	BS 4320 - M5 (FORM A)	01-0271	BRIGHT METAL WASHER - METRIC SERIES	1
17	TCP-3016	03-0204	JUBILEE HOSE CLIP 18 - 25MM	2
16	TCP-3030	03-0047	P-CLIP Ø16	1
15	TCP-3506	14-3506	SILENCER 12MM ID, HYDRAULIC TANK	1
14	TCP-3514	62-3514	HYDRAULIC HOSE BREATHER	1
13	TCP-3512	61-3512	3/8 BSP TO 12MM HOSE BARB TO MALE	1
12	TCP-3477	51-3477	HEAVY DUTY BATTERY CLAMP	1
11	ISO 4017 - M6 X 12	01-0004	HEXAGON HEAD SCREW	2
10	BS 4320 - M6 (FORM A)	02-0004	BRIGHT METAL WASHER - METRIC SERIES	2
9	ISO 4017 - M8 X 30	01-0012	HEXAGON HEAD SCREW	2
8	ISO 7040 - M8	01-0007	HEX NUT WITH TORQUE PART	2
7	DIN 9021 - 8.4	02-0050	WASHER	4
6	ISO 4014 - M8 X 55	01-0222	HEXAGON HEAD BOLT - PRODUCT GRADES A AND B	4
5	BS 4320 - M8 (FORM A)	02-0011	BRIGHT METAL WASHER - METRIC SERIES	6
4	TCP-3651	51-3651	CAP COVER PLATE 2	1
3	TCP-3517	14-0014	FILLER CAP	1
2	TCP-2864	61-2864	HYDRAULIC TANK FILLER FILTER	1
1	TCP-3527	61-3527	HYDRAULIC TANK WITH BREATHER	1

UNCONTROLLED DOCUMENT
CHECK FOR AMMENDMENTS BEFORE USE

MATERIAL		SCALE	1:4
FINISH		CLEAN & DEBURR	
DIMENSIONS IN MM		TOL'S:	GENERAL ± 0.5 ANGLES ± 1/2°
TAYLOR CONSTRUCTION PLANT LTD.		DRAWN	CDR
QUAYSIDE PARK, BRISTOL, AVON,		DATE	15/11/2010
WALDON, ESSEX, CH85 5FA.		CHECKED	
TEL +441621 850777 FAX +441621 843330		TCP-3510 SA	
WWW.TCP.EU.COM		SA-3510	
TITLE		HYDRAULIC TANK WITH BREATHER	
DRG. NO.		TCP-3510 SA	
SHEET 1		OF 1	
STOCK NO		SA-3510	
THIRD ANGLE		A3	

ISS	DESCRIPTION	DATE
A	INITIAL ISSUE	16/06/2011



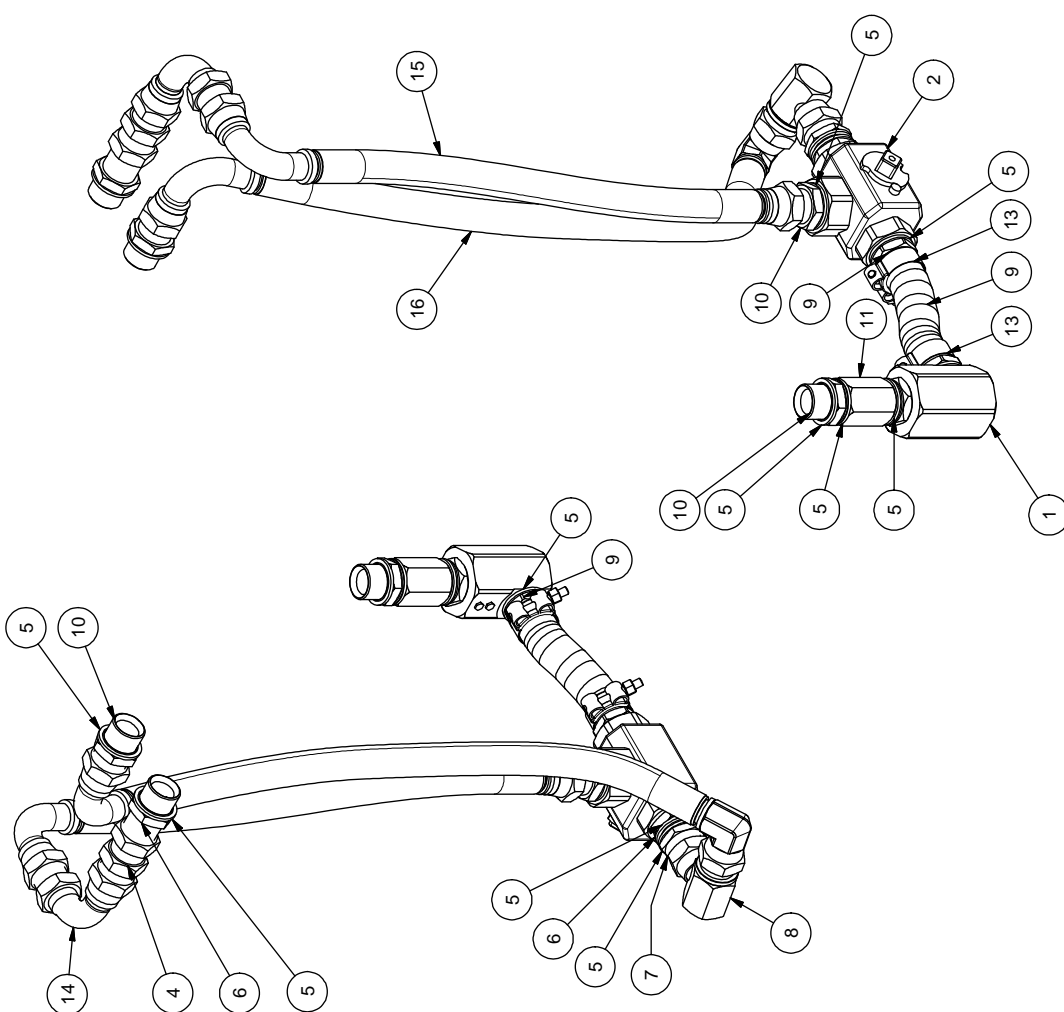
ITEM	DRG. NO.	STOCK NO.	DESCRIPTION	QTY
18	TCP-3462	60-3462	SOLENIOD, HYDRAULIC PUMP	1
17	TCP-3740	60-3740	2 WAY VALVE WITH OVERRIDE	1
16	TCP-3939	60-3939	O-RING 26.7X1.78	1
15	TCP-3734	60-3734	CHECK VALVE CARTRIDGE	1
14	TCP-3741	60-3741	SOLENIOD, 2 WAY VALVE	1
13	TCP-3461	60-3461	MOTOR, HYDRAULIC PUMP	1
12	TCP-3738	60-3738	MANIFOLD EXTENSION	1
11	TCP-3451	60-3451	SUCTION FILTER	1
10	TCP-3735	60-3735	SUPPLY & RETURN HOSE	3
9	TCP-3736	62-3736	ALLEN HEADED PLUG 3/4" BSP	1
8	TCP-3732	60-3732	COMBINED MANIFOLD	1
7	TCP-3737	62-3737	ALLEN PLUG 1/4" BSP	1
6	TCP-3457	60-3457	PRESSURE RELIEF VALVE 11 BAR	1
5	TCP-3458	60-3458	SPACER, PRESSURE RELIEF VALVE	1
4	TCP-	62-0002	1/4" BONDED WASHER	2
3	TCP-3733	60-3733	PUMP CBW1	1
2	TCP-2389	62-0014	3/4" BONDED WASHER	1
1	TCP-3453	60-3453	1" PLASTIC HOSE TAIL	3

TAYLOR CONSTRUCTION PLANT LTD.		TITLE	
QUAYSIDE PARK, BATES ROAD, WALDON, ESSEX, CM8 5FA, TEL +441621 850777 FAX +441621 843330 WWW.TCP.EU.COM	DATE	HYDRAULIC PUMP WITH COMBINED MANIFOLD 2	THIRD ANGLE
	16/06/2011		
	CHECKED	DRG. NO.	
		TCP-3601	
		SHEET 1	STOCK NO
		OF 1	60-3601

MATERIAL	SCALE
FINISH CLEAN & DEBURR	DIMENSIONS IN MM
	GENERAL ± 0.5
	ANGLES ± 1/2°

UNCONTROLLED DOCUMENT
CHECK FOR AMMENDMENTS BEFORE USE

ISS	DESCRIPTION	DATE
A	INITIAL ISSUE	18/01/2011
B	SEE DCA 00751	11/11/2013

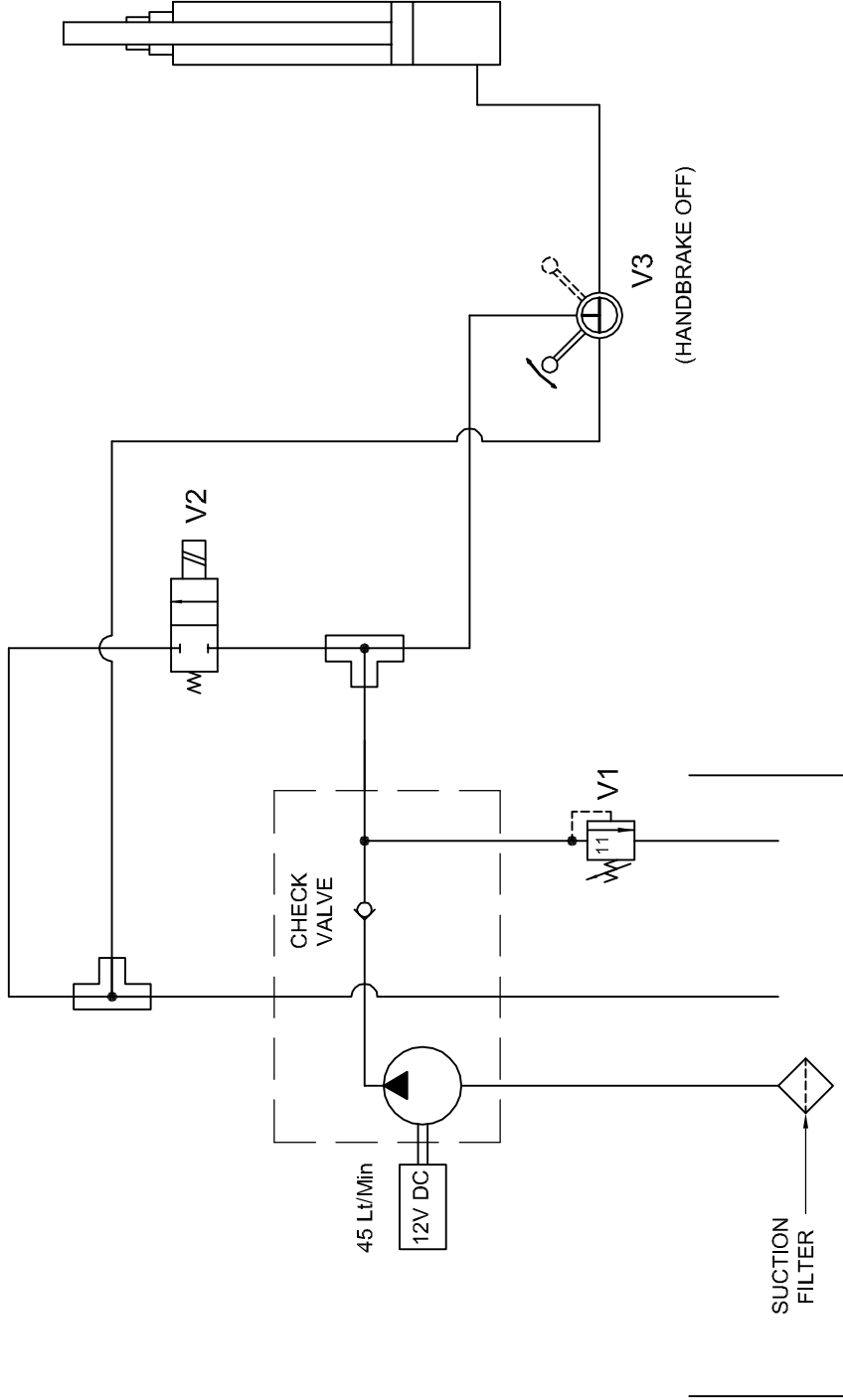


ITEM	DRG. No.	STOCK No.	KIT	DESCRIPTION	QTY
16	TCP-3540	62-3540		HOSE AMOS RETURN	1
15	TCP-3539	62-3539		HOSE SUPPLY AND RETURN, 2011MY	1
14		62-0135		3/4 SWEPT ELBOW MALE FEMALE	1
13	TCP-3209	03-3209		HI-TORQUE JUBILEE CLIP 29-31mm	2
12	TCP-2250	62-0143		3/4 INCH COPPER WASHER	N/R
11	TCP-3141	62-3141		3/4 BSP BARREL	1
10	TCP-2251	62-0013		3/4 INCH BSP MALE MALE ADAPTOR	3
9	TCP-2180	62-0153		3/4 INCH BSP HOSE TAIL	2
8	TCP-3057	62-2990		3/4 INCH M F COMPACT ELBOW	1
7				SUPPLIED WITH ITEM 6	1
6		62-0134		3/4 INCH BULKHEAD ADAPTOR CW NUTS	2
5	TCP-2389	62-0014		3/4 INCH BONDED WASHER	10
4	TCP-2467	62-0132		3/4 INCH MALE FEMALE SWIVEL	1
9	TCP-3012	62-0183		1" I/D RUBBER HOSE SAE100R6 (120LG)	130mm
2	TCP-2151	60-0064		3/4 BSP 3 WAY BALL VALVE (CAST)	1
1	TCP-1961	62-0133		3/4 BSP 90° ROTARY COUPLING	1

TAYLOR CONSTRUCTION PLANT LTD.		DRAWN		KIT	
QUAYSIDE PARK, BATES ROAD, MILDON, ESSEX, CM9 5FA, TEL +441621 850777 FAX +441621 843330 WWW.TCP.EU.COM		CDR		DESCRIPTION	
		DATE		HYDRAULIC ASSY LAYOUT-COMBINED	
		CHECKED		MANIFOLD TWO	
				DRG. No.	TCP-3538
				SHEET 1	STOCK No SA-3538
				OF 1	

MATERIAL	SCALE	1:4
FINISH	DIMENSIONS IN mm	
CLEAN & DEBURR	TOL:	GENERAL ± 0.5
	ANGLES	± 1/2°

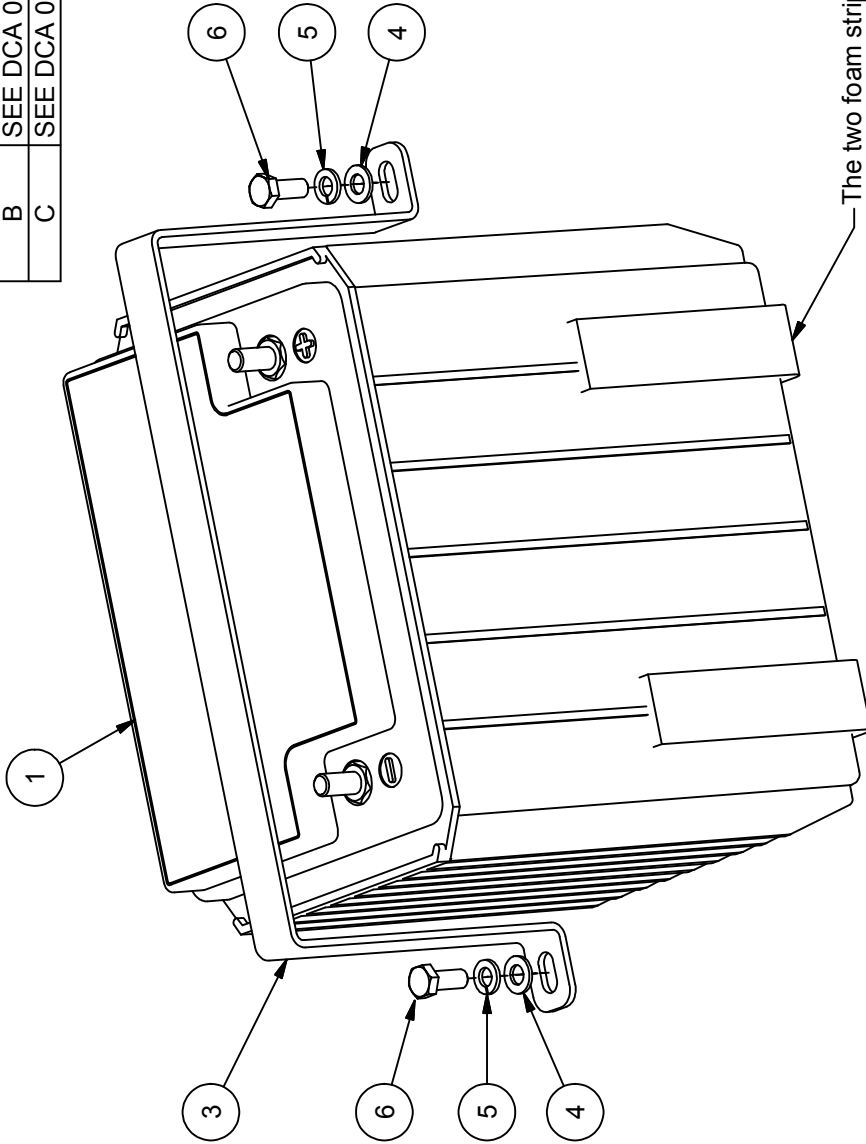
UNCONTROLLED DOCUMENT
CHECK FOR AMMENDMENTS BEFORE USE



UNCONTROLLED DOCUMENT
CHECK FOR AMENDMENTS BEFORE USE

MATERIAL		DIMENSIONS IN		TITLE: SCHEMATIC, HYDRAULICS v2		DRN GAN	
FINISH		SCALE 1:1		ECOLITE - T		CHKD	
SEE DCA 00520		TOL'S: GENERAL ±0.25		DWG No. TCP-3127		APPD	
INITIAL ISSUE		HOLE CTRS/POSNS ±0.2		Sht. 1 of 1		DATE	
ISS	DESCRIPTION	CHKD	DATE	STK No.		10.02.2009	
A				WWW.TCP.EU.COM		H	
B				TAYLOR CONSTRUCTION PLANT LTD.		G	
C				QUAYSIDE PARK, BATES ROAD,		F	
D				MALDON, ESSEX, CH19 9FA		E	
E				TEL: +44 (0)1621 850777 FAX: +44 (0)1621 943330		D	
F				WWW.TCP.EU.COM		C	
G						B	
H						A	

ISS	DESCRIPTION	DATE
A	INITIAL ISSUE	26/09/2008
B	SEE DCA 00620	09/05/2011
C	SEE DCA 00671	14/12/2011



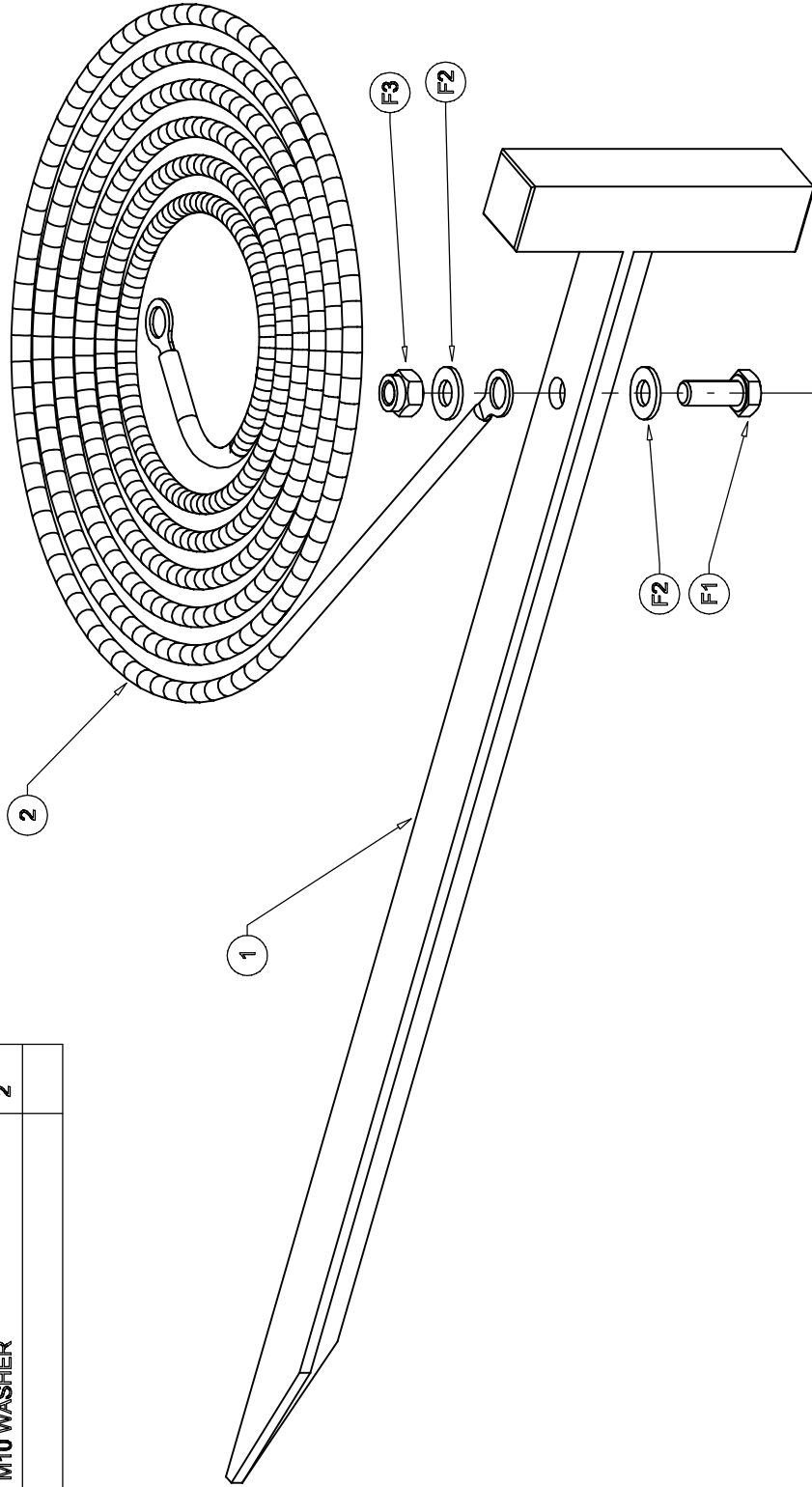
The two foam strips are stuck to the inside of the battery compartment, not the battery.

ITEM	DRG. No.	STOCK No.	DESCRIPTION	QTY
7	TCP-3755	30-0051	BATTERY FOAM (250mm LG)	2
6	ISO 4017 - M5 x 12	01-0041	HEXAGON HEAD SCREW	2
5	BS 4464 - M5 Form B	02-0056	SPRING WASHER - METRIC SERIES	2
4	BS 4320 - M5 (Form A)	02-0013	BRIGHT METAL WASHER - METRIC SERIES	2
3	TCP-2869	51-2869	BATTERY CLAMP	1
1	TCP-2214	70-0037	PC625 BATTERY	1

UNCONTROLLED DOCUMENT
CHECK FOR AMMENDMENTS BEFORE USE

MATERIAL	SCALE 1:2	TAYLOR CONSTRUCTION PLANT LTD.		TITLE BATTERY KIT	
	DIMENSIONS IN mm TOL'S: GENERAL ±0.5 ANGLES ± 1/2°	QUAYSIDE PARK, BATES ROAD, MALDON, ESSEX, CM9 5FA TEL +441621 850777 FAX +441621 843330 WWW.TCP.EU.COM	RC	DATE 26/09/2008	DRG. No. TCP-3034 SA
FINISH CLEAN & DEBURR			CHECKED	SHEET 1 OF 1	STOCK No
					A4

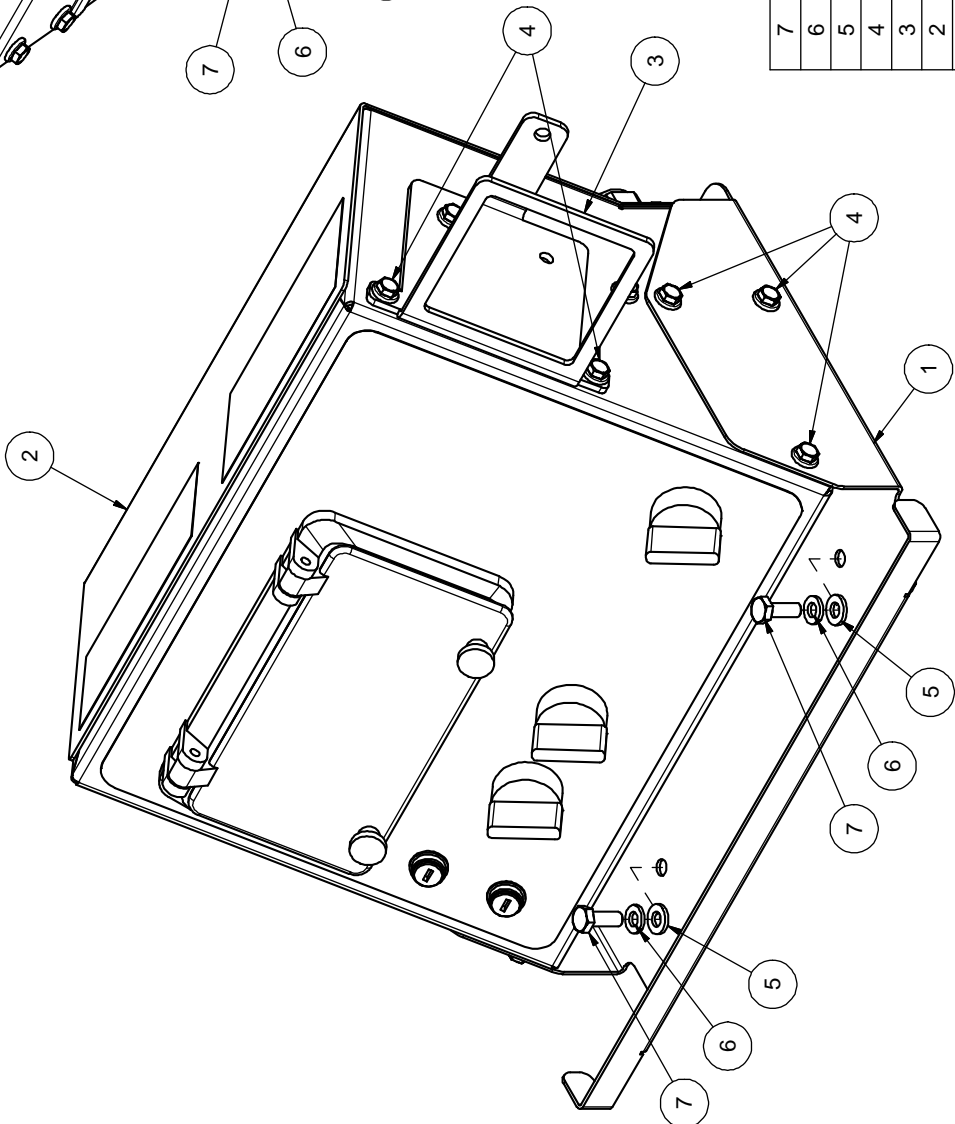
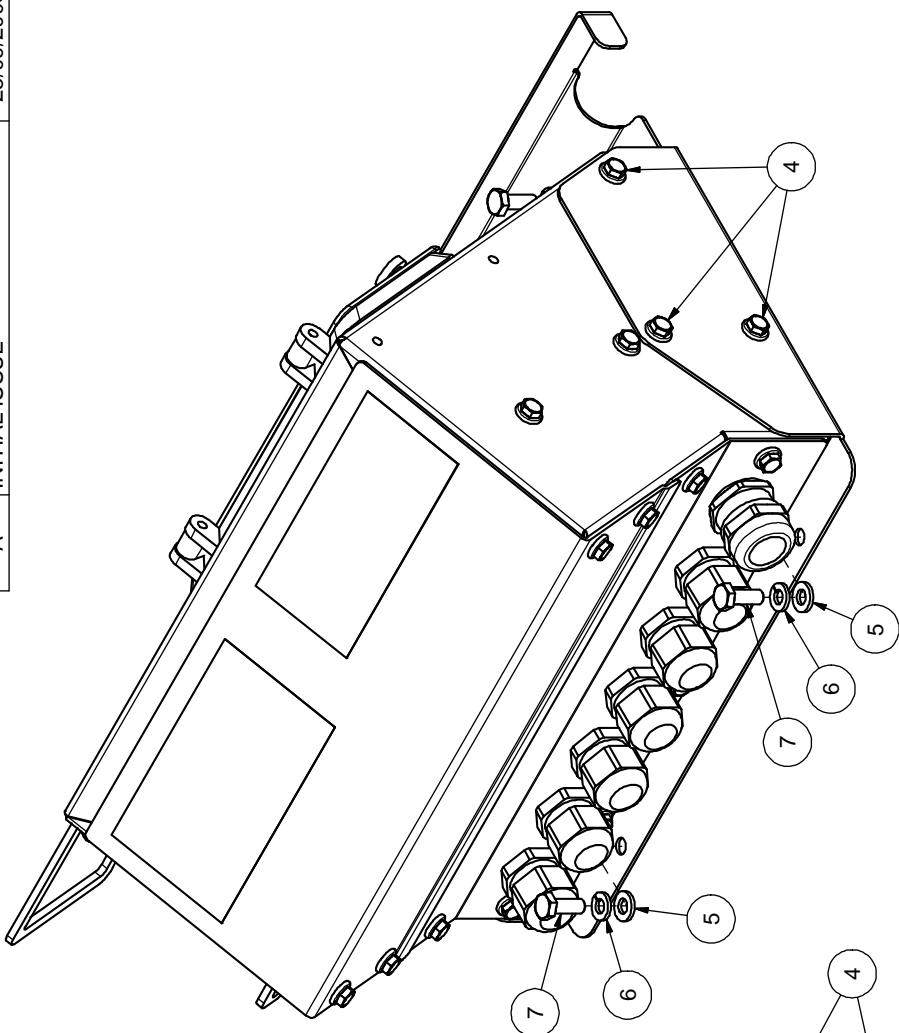
ITEM	DRG No.	PART/Kit No.	DESCRIPTION	QTY
1	TCP-1220	HLT-1250	EARTH SPIKE (HLT-1250/MOD)	1
2	TCP-2390-02 WL	73-0037	STRAP, CHASSIS TO EARTH SPIKE	1
F1		01-0010	M10 x 25 HEX SETSCREW	1
F2		01-0006	M10 NYLOC NUT	1
F3		02-0002	M10 WASHER	2



UNCONTROLLED DOCUMENT
CHECK FOR AMENDMENTS BEFORE USE

TITLE: EARTH SPIKE ASSY ECOLITE P & T		DRN	GAN
TAYLOR CONSTRUCTION PLANT LTD. QUAYSIDE PARK, BATES ROAD, MALDON, ESSEX, CM8 8FA TEL: +44 (0)1627 750441 EXT 046880 WWW.TCP.EU.COM		CHKD	
DIMENSIONS IN mm		APPD	
SCALE: 1:2	TOL'S: GENERAL ±0.25	DATE	07.06.2011
HOLE CTRS/POSNS ±0.2	HOLE Ø ±0.2	DWG No. TCP-4246 SA	
ANGLES ±0.26°	Sht. 1 of 1		STK No.
MATERIAL: SEE PIECE PARTS		G	
FINISH: SEE PIECE PARTS		F	
INITIAL ISSUE		E	
ISS	DESCRIPTION	D	
	CHKD DATE	C	
		B	
		A	

ISS	DESCRIPTION	DATE
A	INITIAL ISSUE	25/09/2008

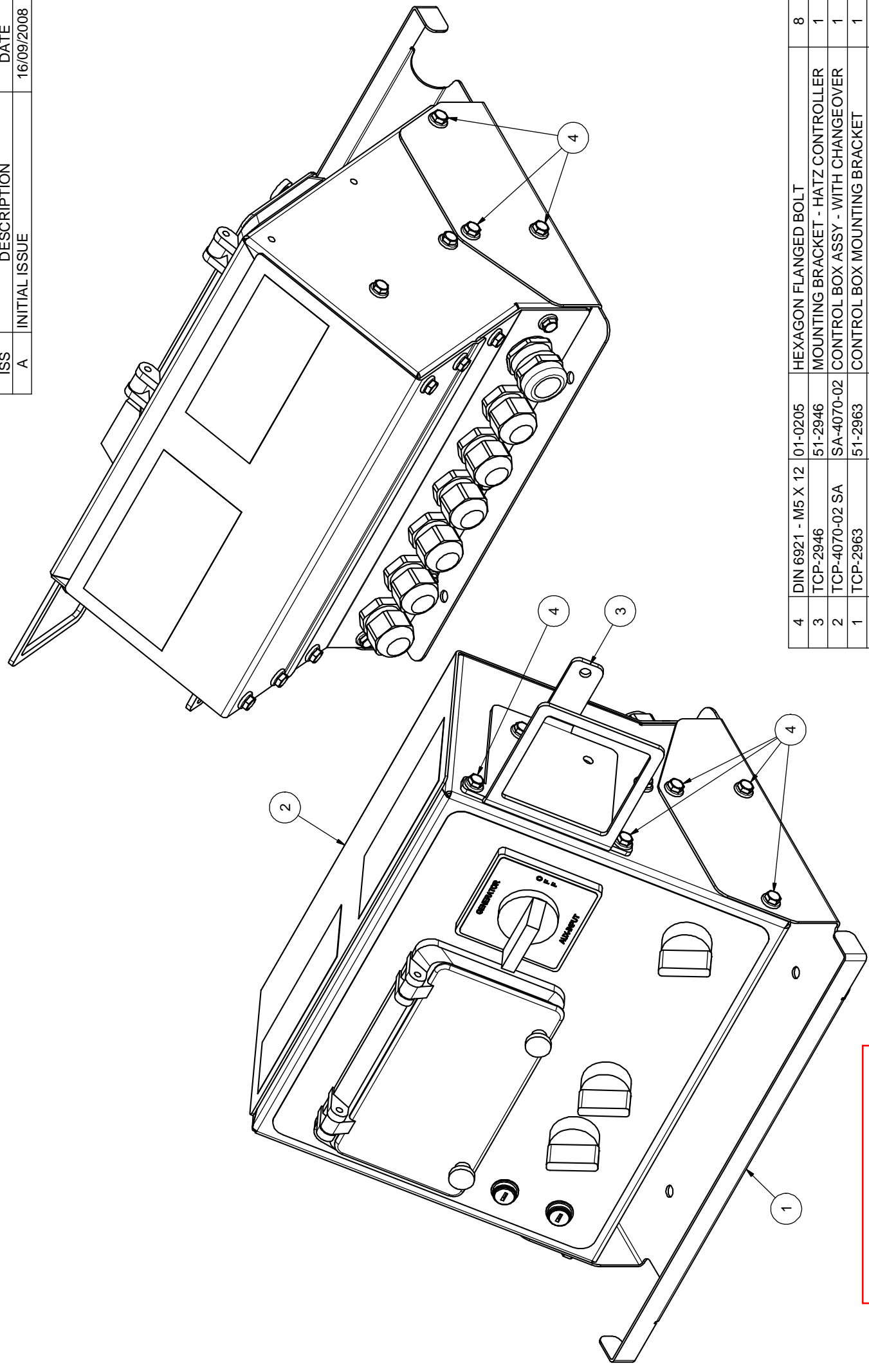


7	ISO 4017 - M6 X 16	01-0075	HEXAGON HEAD SCREW	4
6	BS 4464 - M6 FORM B	02-0003	SPRING WASHER - METRIC SERIES	4
5	BS 4320 - M6 (FORM A)	02-0004	BRIGHT METAL WASHER - METRIC SERIES	4
4	DIN 6921 - M5 X 12	01-0205	HEXAGON FLANGED BOLT	8
3	TCP-2946	51-2946	MOUNTING BRACKET - HATZ CONTROLLER	1
2	TCP-4070-01 SA	SA-4070-01	CONTROL BOX ASSY - BASIC OPTION	1
1	TCP-2963	51-2963	CONTROL BOX MOUNTING BRACKET	1

ITEM		DRG. NO.	STOCK NO.	DESCRIPTION	QTY
SCALE		NTS		TITLE	THIRD ANGLE
DIMENSIONS IN MM		TOL'S:		CONTROL BOX ASSY TANK MOUNTED	
GENERAL ± 0.5		ANGLES ± 1/2°		DRAWN RC	
FINISH CLEAN & DEBURR		MATERIAL		DATE 25/09/2008	
		TAYLOR CONSTRUCTION PLANT LTD.		CHECKED	
		CANNON PARK, BRATES FORD, WIDEN, HANTS, RG26 2AA, UK		DRG. NO. TCP-3001-01 SA	
		TEL +441821 850777 FAX +441621 843330		SHEET 1 OF 1	
		WWW.TCP.EU.COM		STOCK NO SA-3001-01	

UNCONTROLLED DOCUMENT
CHECK FOR AMMENDMENTS BEFORE USE

ISS	DESCRIPTION	DATE
A	INITIAL ISSUE	16/09/2008



4	DIN 6921 - M5 X 12	01-0205	HEXAGON FLANGED BOLT	8
3	TCP-2946	51-2946	MOUNTING BRACKET - HATZ CONTROLLER	1
2	TCP-4070-02 SA	SA-4070-02	CONTROL BOX ASSY - WITH CHANGEOVER	1
1	TCP-2963	51-2963	CONTROL BOX MOUNTING BRACKET	1

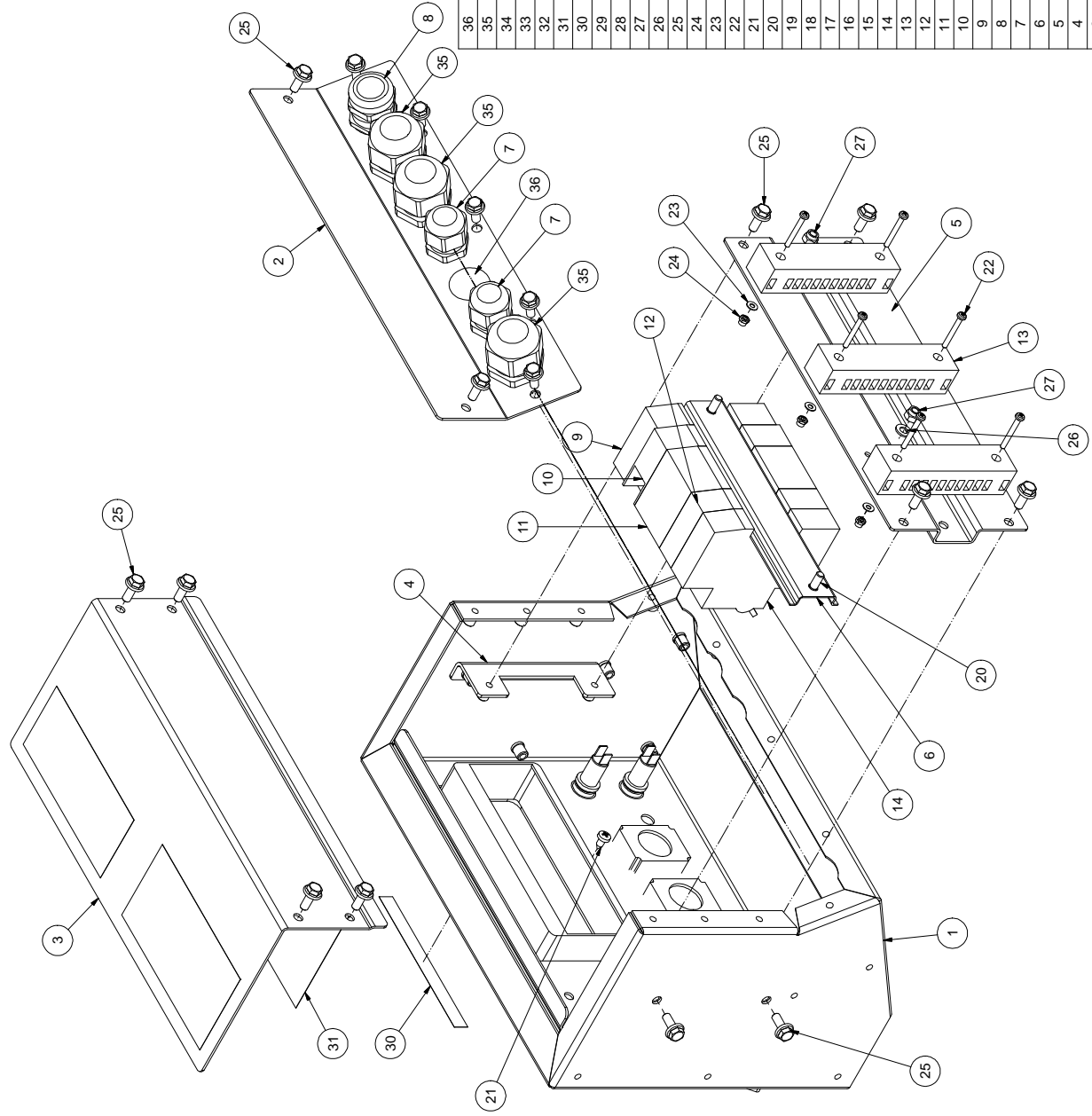
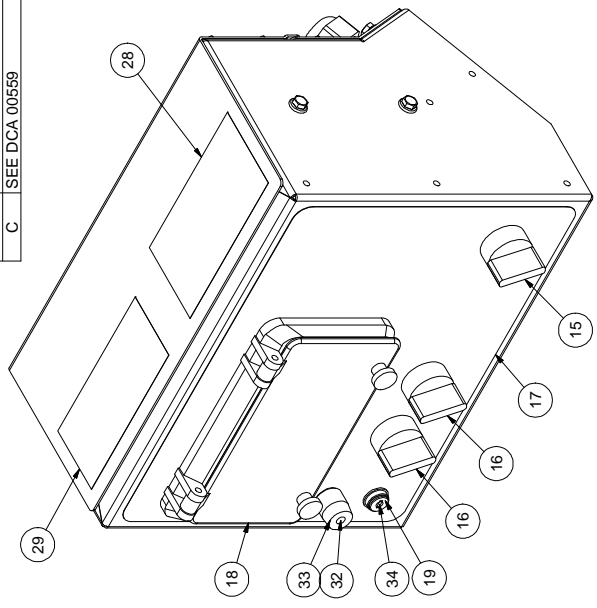
ITEM	DRG. NO.	STOCK NO.	DESCRIPTION	QTY
			TITLE	
			CONTROL BOX ASSY TANK MOUNTED	
			DRAWN	
			RC	
			DATE	
			16/09/2008	
			CHECKED	
			DRG. NO.	
			TCP-3001-02 SA	
			SHEET 1	
			STOCK NO	
			SA-3001-02	
			OF 1	

SCALE	1:2
DIMENSIONS IN MM	
TOL'S:	
GENERAL	± 0.5
ANGLES	± 1/2°
MATERIAL	
FINISH	CLEAN & DEBURR

UNCONTROLLED DOCUMENT
 CHECK FOR AMMENDMENTS BEFORE USE

ECOLITE-T
CONTROL BOX
Version - 1

ISS	DESCRIPTION	DATE
B	INITIAL ISSUE	16/09/2008
C	SEE DCA 00559	10/09/2010

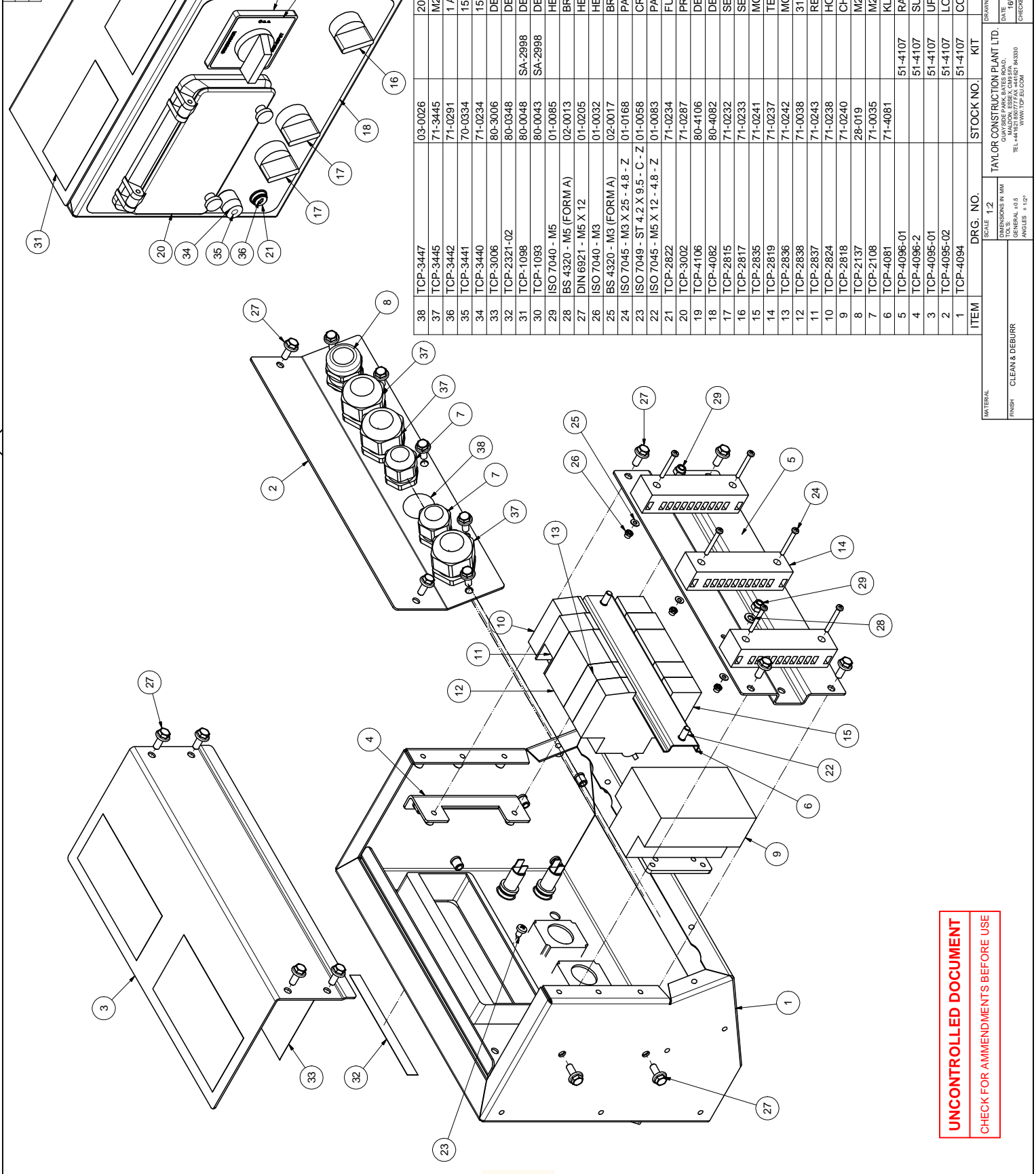


ITEM	DRG. NO.	STOCK NO.	KIT	DESCRIPTION	QTY
36	TCP-3447	03-0026		20MM BLACKING GROMMET	1
35	TCP-3445	71-3445		M25 INDEX CABLE GLAND WITH LOCKNUT	3
34	TCP-3442	71-0291		1 AMP FUSE CARTRIDGE	1
33	TCP-3440	71-0234		15 AMP FUSE HOLDER SLOTTED IP67	1
32	TCP-3441	70-0334		15 AMP FUSE CARTRIDGE	1
31	TCP-3006	80-3006		DECAL TERMINAL INFORMATION	1
30	TCP-2321-02	80-0348		DECAL RDC MCB RELAY	1
29	TCP-1098	80-0048	SA-2998	DECAL RCD INFORMATION & TEST	1
28	TCP-1093	80-0043	SA-2998	DECAL DANGER FALLING HAZARD	1
27	ISO 7040 - M5	01-0085		HEX NUT WITH TORQUE PART	2
26	BS 4320 - M5 (FORM A)	02-0013		BRIGHT METAL WASHER - METRIC SERIES	2
25	DIN 6921 - M5 X 12	01-0205		HEXAGON FLANGED BOLT	19
24	ISO 7040 - M3	01-0032		HEX NUT WITH TORQUE PART	6
23	BS 4320 - M3 (FORM A)	02-0017		BRIGHT METAL WASHER - METRIC SERIES	6
22	ISO 7045 - M3 X 25 - 4.8 - Z	01-0168		PAN HEAD SCREW - GRADE A	6
21	ISO 7049 - ST 4.2 X 9.5 - C - Z	01-0058		CROSS RECESSED PAN HEAD TAPPING SCREW	6
20	ISO 7045 - M5 X 12 - 4.8 - Z	01-0083		PAN HEAD SCREW - GRADE A	2
19	TCP-2822	71-0234		FUSE HOLDER SLOTTED IP67	1
18	TCP-3002	71-0287		PROTECTIVE WINDOW COVER 8 WAY - GREY	1
17	TCP-4082	80-4082		DECAL CONTROL PANEL	1
16	TCP-2815	71-0232		SELECTOR SWITCH 2 POSITION	2
15	TCP-2817	71-0233		SELECTOR SWITCH 3 POSN SPG RET CTR	1
14	TCP-2835	71-0241		MCB 10A TYPE B	1
13	TCP-2819	71-0237		TERMINAL BLOCK 12 WAY 21A 275V	3
12	TCP-2836	71-0242		MCB 6A TYPE D	1
11	TCP-2838	71-0038		3110 220V RCCB 40AMP 30MA	1
10	TCP-2837	71-0243		RELAY 2 POLE NO 230V COIL	1
9	TCP-2824	71-0238		HOUR COUNTER 230V	1
8	TCP-2137	28-019		M25 CABLE GLAND	1
7	TCP-2106	71-0035		M20 CABLE GLAND WITH LOCKNUT	2
6	TCP-4081	71-4081		KLIPPON RAIL	1
5	TCP-4096-01	51-4107		RAIL AND TERMINAL STRIP SUPPORT BRACKET	1
4	TCP-4096-2	51-4107		SUPPORT BRACKET	2
3	TCP-4095-01	51-4107		UPPER COVER - CONTROL BOX	1
2	TCP-4095-02	51-4107		LOWER COVER - CONTROL BOX	1
1	TCP-4094	51-4107		CONTROL BOX MK2	1

DRWING	IS THE PROPERTY OF TAYLOR CONSTRUCTION PLANT LTD AND MUST NOT BE REPRODUCED OR DISCLOSED EXCEPT AS AUTHORIZED IN WRITING BY TAYLOR CONSTRUCTION PLANT LTD
DRWING	NO
DATE	16/09/2008
CHECKED	
DRG NO.	TCP-4070-01 SA
SHEET 1	STOCK NO
OF 1	SA-4070-01
SCALE	1:2
DIMENSIONS IN MM	
TOL:	GENERAL: 0.5
FINISH	CLEAN & DEBURR
PROJECT	1/02
DRWING	RC
DATE	16/09/2008
CHECKED	
DRG NO.	TCP-4070-01 SA
SHEET 1	STOCK NO
OF 1	SA-4070-01
SCALE	1:2
DIMENSIONS IN MM	
TOL:	GENERAL: 0.5
FINISH	CLEAN & DEBURR
PROJECT	1/02
DRWING	RC
DATE	16/09/2008
CHECKED	
DRG NO.	TCP-4070-01 SA
SHEET 1	STOCK NO
OF 1	SA-4070-01

UNCONTROLLED DOCUMENT
CHECK FOR AMMENDMENTS BEFORE USE

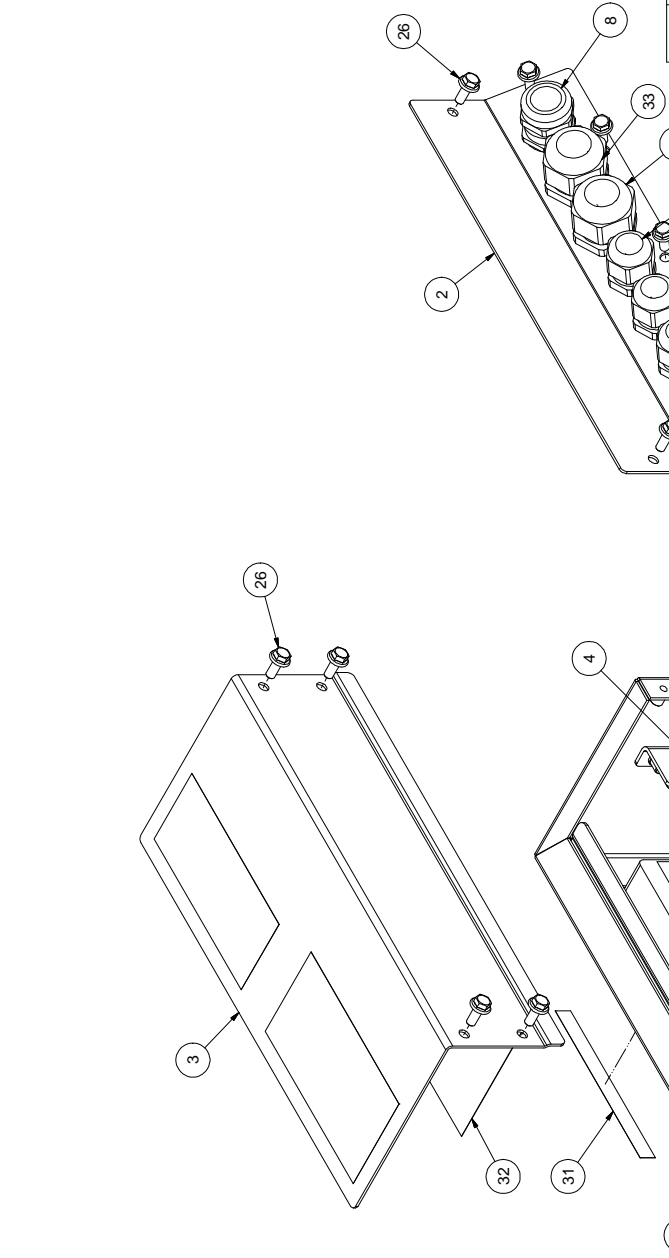
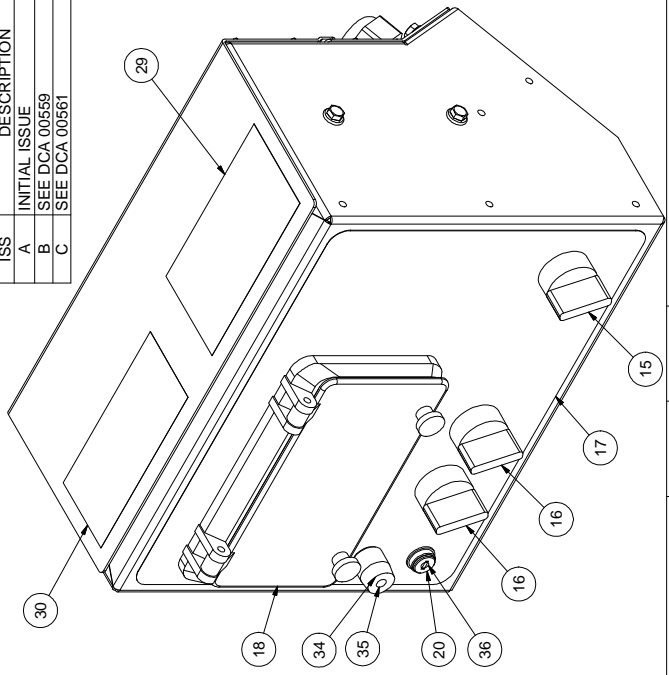
ISS	DESCRIPTION	DATE
B	INITIAL ISSUE	16/09/2008
C	SEE DCA 00559	10/09/2010



ITEM	DRG. NO.	SCALE	STOCK NO.	KIT	DESCRIPTION	QTY
38	TCP-3447	1:2			20MM BLACKING GROMMET	1
37	TCP-3445				M25 INDEX CABLE GLAND WITH LOCKNUT	3
36	TCP-3442				1 AMP FUSE CARTRIDGE	1
35	TCP-3441				15 AMP FUSE CARTRIDGE	1
34	TCP-3440				15 AMP FUSE HOLDER SLOTTED IP67	1
33	TCP-3006				DECAL, TERMINAL INFORMATION	1
32	TCP-2321-02				DECAL, RDC MCB RELAY	1
31	TCP-1098				DECAL, RCD INFORMATION & TEST	1
30	TCP-1093				DECAL, DANGER FALLING HAZARD	1
29	ISO 7040 - M5				HEX NUT WITH TORQUE PART	2
28	BS 4320 - M5 (FORM A)				BRIGHT METAL WASHER - METRIC SERIES	2
27	DIN 6921 - M5 X 12				HEXAGON FLANGED BOLT	19
26	ISO 7040 - M3				HEX NUT WITH TORQUE PART	6
25	BS 4320 - M3 (FORM A)				BRIGHT METAL WASHER - METRIC SERIES	6
24	ISO 7045 - M3 X 25 - 4.8 - Z				PAN HEAD SCREW - GRADE A	6
23	ISO 7049 - ST 4.2 X 9.5 - C - Z				GROSS RECESSED PAN HEAD TAPPING SCREW	6
22	ISO 7045 - M5 X 12 - 4.8 - Z				PAN HEAD SCREW - GRADE A	2
21	TCP-2822				FUSE HOLDER SLOTTED IP67	1
20	TCP-3002				PROTECTIVE WINDOW COVER 8 WAY - GREY	1
19	TCP-4106				DECAL, CHANGEOVER SWITCH	1
18	TCP-4082				DECAL, CONTROL PANEL	1
17	TCP-2815				SELECTOR SWITCH 2 POSITION	2
16	TCP-2817				SELECTOR SWITCH 3 POSN SPG RET CTR	1
15	TCP-2835				MCB 10A TYPE B	1
14	TCP-2819				TERMINAL BLOCK 12 WAY 21A 275V	3
13	TCP-2836				MCB 6A TYPE D	1
12	TCP-2838				3110 220V RCCB 40AMP 30MA	1
11	TCP-2837				RELAY 2 POLE NO 230V COIL	1
10	TCP-2824				HOUR COUNTER 230V	1
9	TCP-2818				CHANGEOVER SWITCH 3 POLE 32A	1
8	TCP-2137				M25 CABLE GLAND	1
7	TCP-2108				M20 CABLE GLAND WITH LOCKNUT	2
6	TCP-4081				KLIPPON RAIL	1
5	TCP-4096-01				RAIL AND TERMINAL STRIP SUPPORT BRACKET	1
4	TCP-4096-2				SUPPORT BRACKET	2
3	TCP-4095-01				UPPER COVER - CONTROL BOX	1
2	TCP-4095-02				LOWER COVER - CONTROL BOX	1
1	TCP-4094				CONTROL BOX MK2	1

UNCONTROLLED DOCUMENT
CHECK FOR AMMENDMENTS BEFORE USE

ISS	DESCRIPTION	DATE
A	INITIAL ISSUE	10/12/2008
B	SEE DCA 00559	13/09/2010
C	SEE DCA 00561	21/09/2010



ITEM	DRG. NO.	SCALE	MATERIAL	FINISH	DESCRIPTION	QTY
1	TCP-4094	1:2	STEEL	CLEAN & DEBURR	CONTROL BOX MK2	1
2	TCP-4095-02	1:2	STEEL	CLEAN & DEBURR	LOWER COVER - CONTROL BOX	1
3	TCP-4095-01	1:2	STEEL	CLEAN & DEBURR	UPPER COVER - CONTROL BOX	1
4	TCP-4096-2	1:2	STEEL	CLEAN & DEBURR	SUPPORT BRACKET	2
5	TCP-4096-01	1:2	STEEL	CLEAN & DEBURR	RAIL AND TERMINAL STRIP SUPPORT BRACKET	1
6	TCP-4081	1:2	STEEL	CLEAN & DEBURR	KLIPON RAIL	1
7	TCP-2108	1:2	STEEL	CLEAN & DEBURR	M20 CABLE GLAND WITH LOCKNUT	3
8	TCP-2137	1:2	STEEL	CLEAN & DEBURR	M25 CABLE GLAND	1
9	TCP-2824	1:2	STEEL	CLEAN & DEBURR	HOURLY COUNTER 230V	1
10	TCP-2837	1:2	STEEL	CLEAN & DEBURR	RELAY 2 POLE NO 230V COIL	1
11	TCP-2838	1:2	STEEL	CLEAN & DEBURR	3110 220V/RCCB 40AMP 30MA	1
12	TCP-3087	1:2	STEEL	CLEAN & DEBURR	TERMINAL BLOCK 12 WAY 21A 275V	3
13	TCP-2819	1:2	STEEL	CLEAN & DEBURR	MCB 6A TYPE D - DUAL POLE	1
14	TCP-3449	1:2	STEEL	CLEAN & DEBURR	SELECTOR SWITCH 3 POSN SPG RET CTR	1
15	TCP-3441	1:2	STEEL	CLEAN & DEBURR	SELECTOR SWITCH 2 POSITION	2
16	TCP-2815	1:2	STEEL	CLEAN & DEBURR	DECAL, CONTROL PANEL	1
17	TCP-3002	1:2	STEEL	CLEAN & DEBURR	PROTECTIVE WINDOW COVER 8 WAY - GREY	1
18	TCP-2822	1:2	STEEL	CLEAN & DEBURR	FUSE HOLDER SLOTTED IP67	1
19	ISO 7045 - M5 X 12 - 4.8 - Z	1:2	STEEL	CLEAN & DEBURR	PAN HEAD SCREW - GRADE A	2
20	ISO 7045 - M5 X 12 - 4.8 - Z	1:2	STEEL	CLEAN & DEBURR	PAN HEAD SCREW - GRADE A	2
21	ISO 7045 - M5 X 12 - 4.8 - Z	1:2	STEEL	CLEAN & DEBURR	PAN HEAD SCREW - GRADE A	2
22	ISO 7049 - ST 4.2 X 9.5 - C - Z	1:2	STEEL	CLEAN & DEBURR	CROSS RECESSED PAN HEAD TAPPING SCREW	6
23	ISO 7045 - M3 X 25 - 4.8 - Z	1:2	STEEL	CLEAN & DEBURR	PAN HEAD SCREW - GRADE A	6
24	BS 4320 - M3 (FORM A)	1:2	STEEL	CLEAN & DEBURR	BRIGHT METAL WASHER - METRIC SERIES	6
25	ISO 7040 - M3	1:2	STEEL	CLEAN & DEBURR	HEX NUT WITH TORQUE PART	6
26	DIN 6921 - M5 X 12	1:2	STEEL	CLEAN & DEBURR	HEXAGON FLANGED BOLT	19
27	BS 4320 - M5 (FORM A)	1:2	STEEL	CLEAN & DEBURR	BRIGHT METAL WASHER - METRIC SERIES	2
28	ISO 7040 - M5	1:2	STEEL	CLEAN & DEBURR	HEX NUT WITH TORQUE PART	2
29	TCP-1093	1:2	STEEL	CLEAN & DEBURR	DECAL, DANGER FALLING HAZARD	1
30	TCP-1098	1:2	STEEL	CLEAN & DEBURR	DECAL, RCD INFORMATION & TEST	1
31	TCP-2321-02	1:2	STEEL	CLEAN & DEBURR	DECAL, RCD MCB RELAY	1
32	TCP-3006	1:2	STEEL	CLEAN & DEBURR	DECAL, TERMINAL INFORMATION	3
33	TCP-3445	1:2	STEEL	CLEAN & DEBURR	M25 INDEX CABLE GLAND WITH LOCKNUT	3
34	TCP-3440	1:2	STEEL	CLEAN & DEBURR	15 AMP FUSE HOLDER SLOTTED IP67	1
35	TCP-3441	1:2	STEEL	CLEAN & DEBURR	15 AMP FUSE CARTRIDGE	1
36	TCP-3442	1:2	STEEL	CLEAN & DEBURR	1 AMP FUSE CARTRIDGE	1

ITEM	DRG. NO.	SCALE	MATERIAL	FINISH	DESCRIPTION	QTY
1	TCP-4094	1:2	STEEL	CLEAN & DEBURR	CONTROL BOX ASSY - BASIC OPTION - DUAL POLE BREAKER	1

UNCONTROLLED DOCUMENT
CHECK FOR AMENDMENTS BEFORE USE

TAYLOR CONSTRUCTION PLANT LTD.
 101 WILSON, ESSAY, CHORLEY, LANCASHIRE, ENGLAND.
 TEL: +44 (0)1254 812345 FAX: +44 (0)1254 812346
 WWW.TCP.CO.UK

SCALE: 1:2
 DIMENSIONS IN MM
 GENERAL: 0.5
 FINISH: CLEAN & DEBURR
 PROTECT: 1/2

DATE: 10/12/2008
 CHECKED: []
 DRAWN: CR

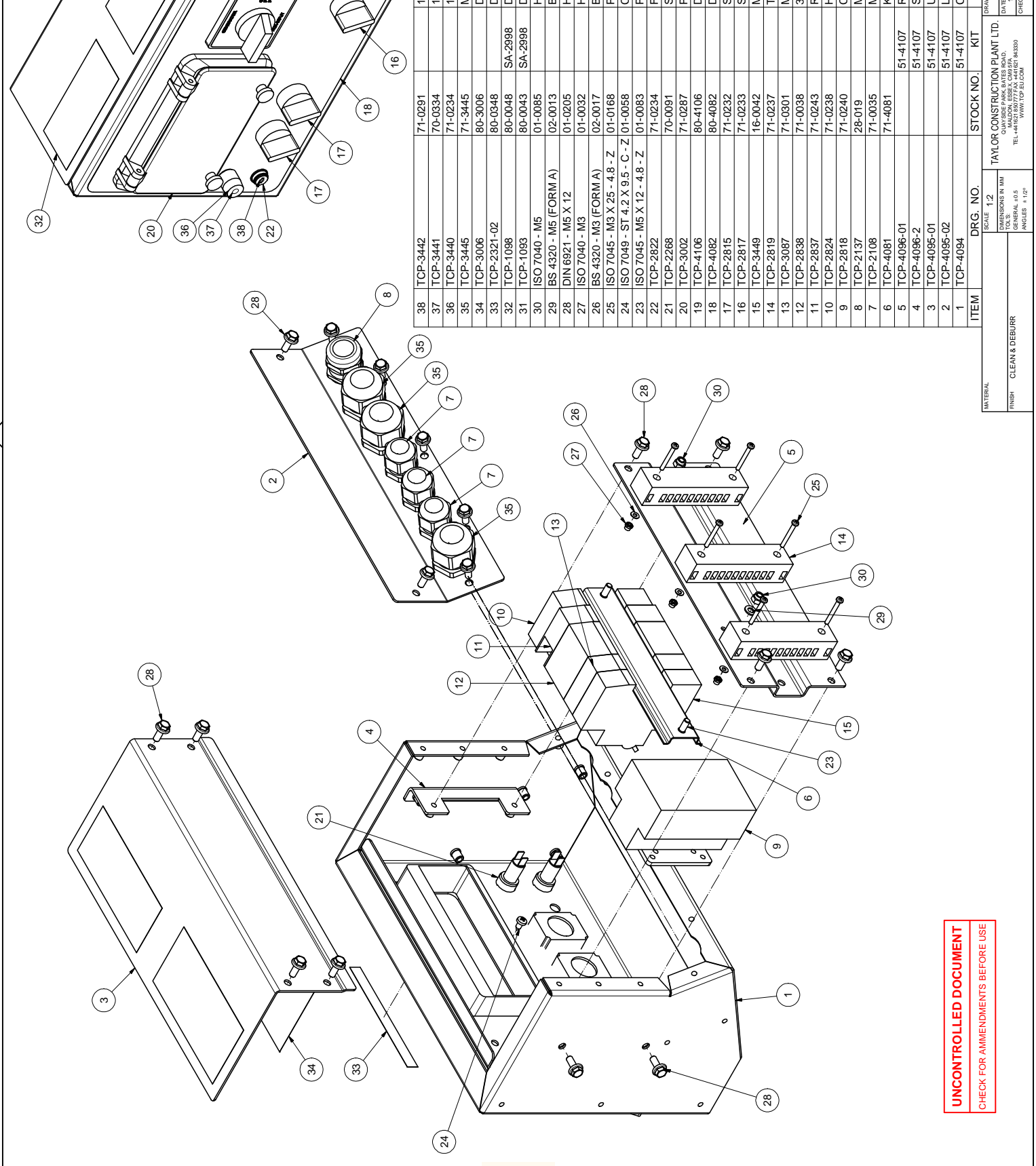
DRG. NO. TCP-4070-03 SA SHEET 1 OF 1

STOCK NO. KIT

DESCRIPTION: CONTROL BOX ASSY - BASIC OPTION - DUAL POLE BREAKER

QTY: 1

ISS	DESCRIPTION	DATE
A	INITIAL ISSUE	10/12/2008
B	SEE DCA 00559	10/09/2010
C	SEE DCA 00561	21/09/2010

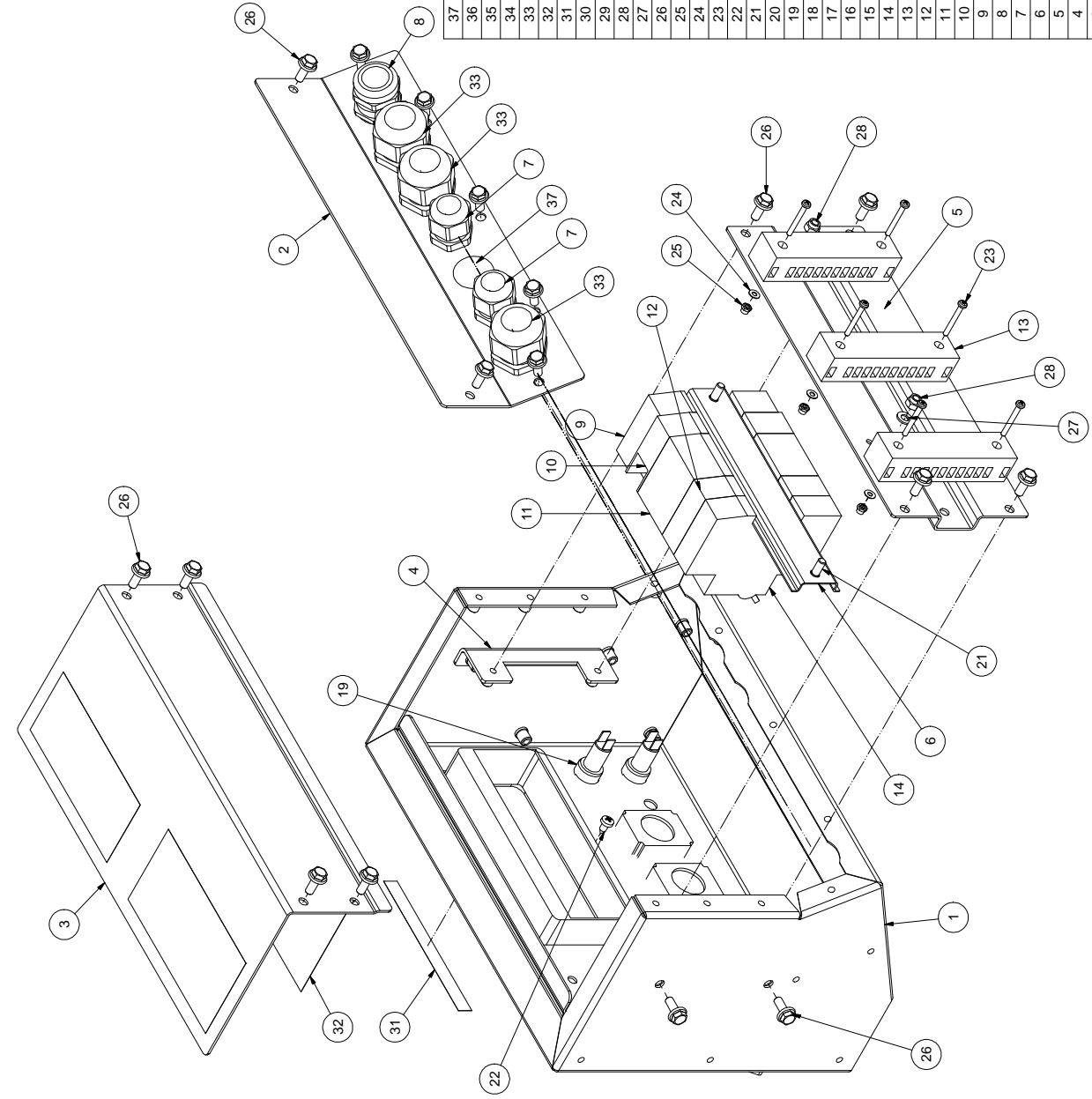
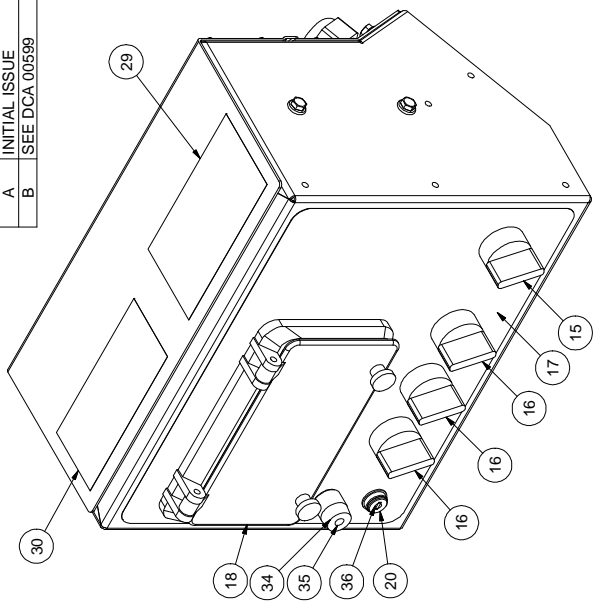


ITEM	DRG. NO.	SCALE	FINISH	MATERIAL	DESCRIPTION	QTY
38	TCP-3442	1:2	CLEAN & DEBURR	STOCK NO.	1 AMP FUSE CARTRIDGE	1
37	TCP-3441				15 AMP FUSE CARTRIDGE	1
36	TCP-3440				15 AMP FUSE HOLDER SLOTTED IP67	1
35	TCP-3445				M25 INDEX CABLE GLAND WITH LOCKNUT	3
34	TCP-3006				DECAL, TERMINAL INFORMATION	1
33	TCP-2321-02				DECAL, RDC MCB RELAY	1
32	TCP-1098				DECAL, RCD INFORMATION & TEST	1
31	TCP-1093				DECAL, DANGER FALLING HAZARD	1
30	ISO 7040 - M5				HEX NUT WITH TORQUE PART	2
29	BS 4320 - M5 (FORM A)				BRIGHT METAL WASHER - METRIC SERIES	2
28	DIN 6921 - M5 X 12				HEXAGON FLANGED BOLT	19
27	ISO 7040 - M3				HEX NUT WITH TORQUE PART	6
26	BS 4320 - M3 (FORM A)				BRIGHT METAL WASHER - METRIC SERIES	6
25	ISO 7045 - M3 X 25 - 4.8 - Z				PAN HEAD SCREW - GRADE A	6
24	ISO 7049 - ST 4.2 X 9.5 - C - Z				CROSS RECESSED PAN HEAD TAPPING SCREW	6
23	ISO 7045 - M5 X 12 - 4.8 - Z				PAN HEAD SCREW - GRADE A	2
22	TCP-2822				FUSE HOLDER SLOTTED IP67	1
21	TCP-2268				SPACER, FUSE HOLDER	2
20	TCP-3002				PROTECTIVE WINDOW COVER 8 WAY - GREY	1
19	TCP-4106				DECAL, CHANGEOVER SWITCH	1
18	TCP-4082				DECAL, CONTROL PANEL	1
17	TCP-2815				SELECTOR SWITCH 2 POSITION	2
16	TCP-2817				SELECTOR SWITCH 3 POSN SPG RET CTR	1
15	TCP-3449				MCB 16A TYPE D - DUAL POLE	1
14	TCP-2819				TERMINAL BLOCK 12 WAY 21A 275V	3
13	TCP-3087				MCB 6A TYPE D - DUAL POLE	1
12	TCP-2838				3110 220V RCCB 40AMP 30MA	1
11	TCP-2837				RELAY 2 POLE NO 230V COIL	1
10	TCP-2824				HOUR COUNTER 230V	1
9	TCP-2818				CHANGEOVER SWITCH 3 POLE 32A	1
8	TCP-2137				M25 CABLE GLAND	1
7	TCP-2108				M20 CABLE GLAND WITH LOCKNUT	3
6	TCP-4081				KLIPPON RAIL	1
5	TCP-4096-01				RAIL AND TERMINAL STRIP SUPPORT BRACKET	1
4	TCP-4096-2				SUPPORT BRACKET	2
3	TCP-4095-01				UPPER COVER - CONTROL BOX	1
2	TCP-4095-02				LOWER COVER - CONTROL BOX	1
1	TCP-4094				CONTROL BOX MK2	1

UNCONTROLLED DOCUMENT
CHECK FOR AMMENDMENTS BEFORE USE

DRWING	CR	DATE	10/12/2008
TITLE	CONTROL BOX ASSY - WITH CHANGEOVER - DUAL POLE BREAKER		
DRG. NO.	TCP-4070-04 SA	SHEET	1 OF 1
STOCK NO.	TCP-4070-04		
FINISH	CLEAN & DEBURR		
SCALE	1:2		
EMERSONS IN VM	TAYLOR CONSTRUCTION PLANT LTD.		
GENERAL 1:0.5	GALVANNEED STEEL, CHINA		
PROFILES 1:1/2	TEL: +44 (0)1223 810000		
	WWW.TCP.CO.UK		

ISS	DESCRIPTION	DATE
A	INITIAL ISSUE	02/09/2009
B	SEE DCA 00599	10/09/2010



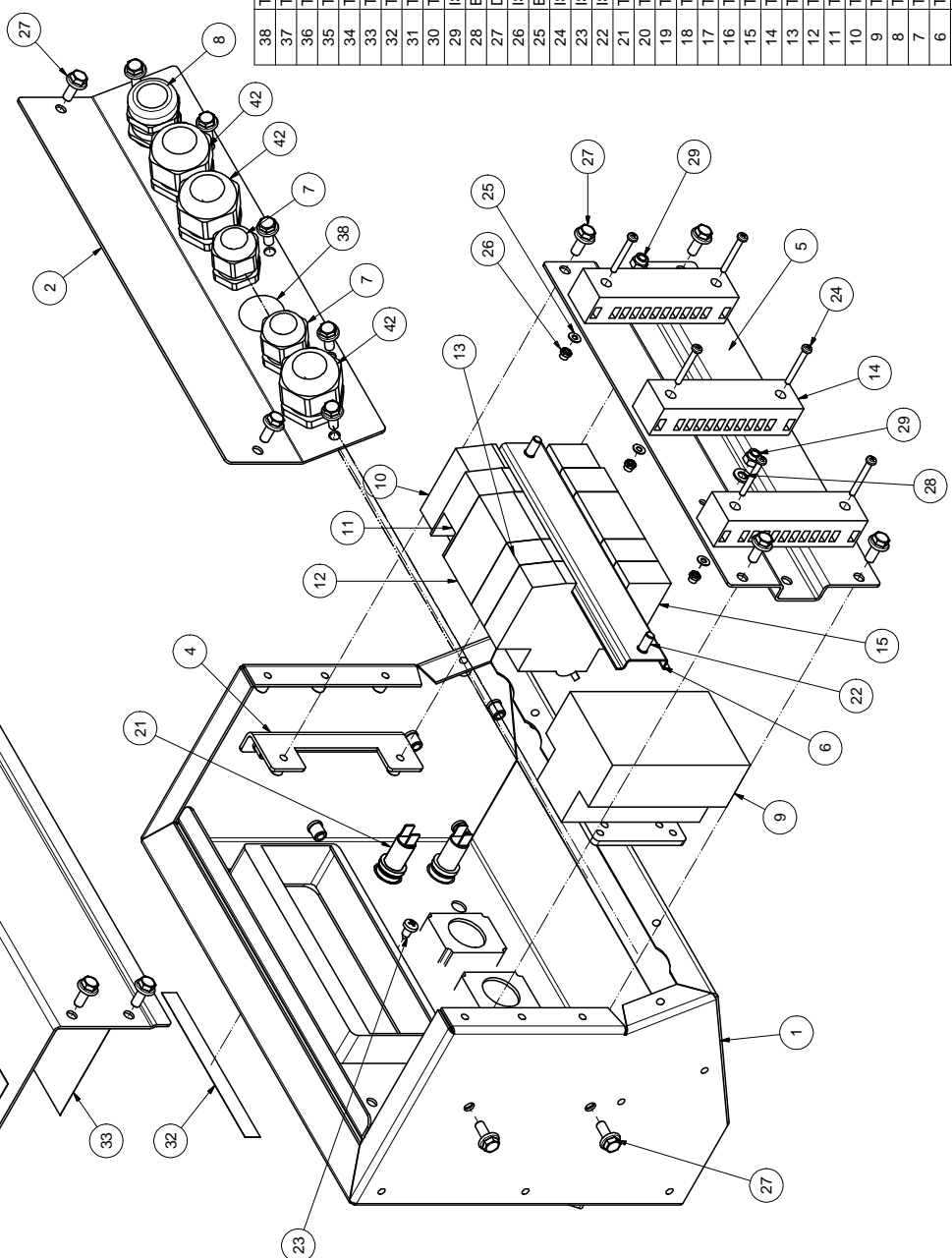
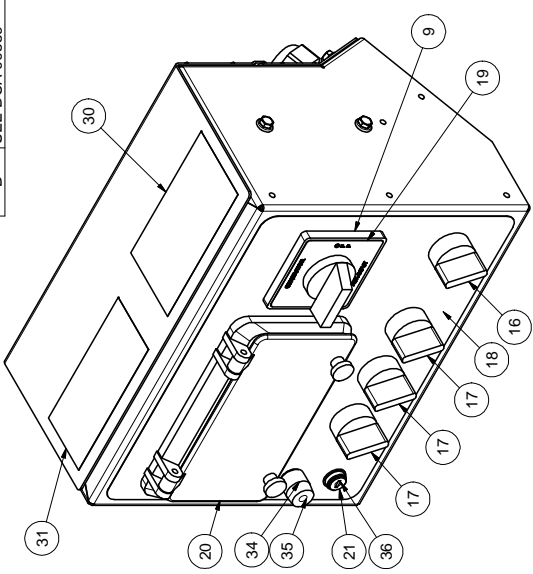
ITEM	SCALE	DRG. NO.	STOCK NO.	KIT	DESCRIPTION	QTY
37	TCP-3447	03-0026			20MM BLACKING GROMMET	1
36	TCP-3442	71-0291			1 AMP FUSE CARTRIDGE	1
35	TCP-3441	70-0334			15 AMP FUSE CARTRIDGE	1
34	TCP-3440	71-0234			15 AMP FUSE HOLDER SLOTTED IP67	1
33	TCP-3445	71-3445			M25 INDEX CABLE GLAND WITH LOCKNUT	3
32	TCP-3006	80-3006			DECAL, TERMINAL INFORMATION	1
31	TCP-2321-02	80-0348			DECAL, RCD MCB RELAY	1
30	TCP-1098	80-0048	SA-2998		DECAL, RCD INFORMATION & TEST	1
29	TCP-1093	80-0043	SA-2998		DECAL, DANGER FALLING HAZARD	1
28	ISO 7040 - M5	01-0085			HEX NUT WITH TORQUE PART	2
27	BS 4320 - M5 (FORM A)	02-0013			BRIGHT METAL WASHER - METRIC SERIES	2
26	DIN 6921 - M5 X 12	01-0205			HEXAGON FLANGED BOLT	19
25	ISO 7040 - M3	01-0032			HEX NUT WITH TORQUE PART	6
24	BS 4320 - M3 (FORM A)	02-0017			BRIGHT METAL WASHER - METRIC SERIES	6
23	ISO 7045 - M3 X 25 - 4.8 - Z	01-0168			PAN HEAD SCREW - GRADE A	6
22	ISO 7049 - ST 4.2 X 9.5 - C - Z	01-0058			GROSS RECESSED PAN HEAD TAPPING SCREW	6
21	ISO 7045 - M5 X 12 - 4.8 - Z	01-0083			PAN HEAD SCREW - GRADE A	2
20	TCP-2822	71-0234			FUSE HOLDER SLOTTED IP67	1
19	TCP-2268	70-0091			SPACER, FUSE HOLDER	2
18	TCP-3002	71-0287			PROTECTIVE WINDOW COVER 8 WAY - GREY	1
17	TCP-4082	80-4082			DECAL, CONTROL PANEL	1
16	TCP-2815	71-0232			SELECTOR SWITCH 2 POSITION	3
15	TCP-2817	71-0233			SELECTOR SWITCH 3 POSN SPG RET CTR	1
14	TCP-2835	71-0241			MCB 10A TYPE B	1
13	TCP-2819	71-0237			TERMINAL BLOCK 12 WAY 21A 275V	3
12	TCP-2836	71-0242			MCB 6A TYPE D	1
11	TCP-2838	71-0038			3110 220V RCCB 40AMP 30MA	1
10	TCP-2837	71-0243			RELAY 2 POLE NO 230V COIL	1
9	TCP-2824	71-0238			HOUR COUNTER 230V	1
8	TCP-2137	28-019			M25 CABLE GLAND	1
7	TCP-2108	71-0035			M20 CABLE GLAND WITH LOCKNUT	2
6	TCP-4081	71-4081			KLIPPON RAIL	1
5	TCP-4096-01	51-4107			RAIL AND TERMINAL STRIP SUPPORT BRACKET	1
4	TCP-4096-2	51-4107			SUPPORT BRACKET	2
3	TCP-4095-01	51-4107			UPPER COVER - CONTROL BOX	1
2	TCP-4095-02	51-4107			LOWER COVER - CONTROL BOX	1
1	TCP-4094	51-4107			CONTROL BOX MK2	1

DRAWN	RC	TITLE	CONTROL BOX ASSY - 3 SWITCH
DATE	10/09/2008	DRG NO.	TCP-4070-05 SA
CHECKED		SHEET 1	STOCK NO SA-4070-05
		OF	1

MATERIAL	SCALE	DRG. NO.	STOCK NO.	KIT	DESCRIPTION	QTY
FINISH	CLEAN & DEBURR	1:2			CONTROL BOX ASSY - 3 SWITCH	A2
TAYLOR CONSTRUCTION PLANT LTD. GARDEN ROAD, WINDSOR, ESSEX, CH40 3PA, UK. TEL: +44 (0)1842 812123 FAX: +44 (0)1842 812124 WWW.TCP-PL.COM						

UNCONTROLLED DOCUMENT
CHECK FOR AMENDMENTS BEFORE USE

ISS	DESCRIPTION	DATE
A	INITIAL ISSUE	02/09/2009
B	SEE DCA.00559	14/09/2010



ITEM	DRG. NO.	SCALE	STOCK NO.	KIT	DESCRIPTION	QTY
38	TCP-3447	1:2			20MM BLACKING GROMMET	1
37	TCP-3445				M25 INDEX CABLE GLAND WITH LOCKNUT	3
36	TCP-3442				1 AMP FUSE CARTRIDGE	1
35	TCP-3441				15 AMP FUSE CARTRIDGE	1
34	TCP-3440				15 AMP FUSE HOLDER SLOTTED IP67	1
33	TCP-3006				DECAL, TERMINAL INFORMATION	1
32	TCP-2321-02				DECAL, RDC MCB RELAY	1
31	TCP-1098				DECAL, RCD INFORMATION & TEST	1
30	TCP-1093				DECAL, DANGER FALLING HAZARD	1
29	ISO 7040 - M5				HEX NUT WITH TORQUE PART	2
28	BS 4320 - M5 (FORM A)				BRIGHT METAL WASHER - METRIC SERIES	2
27	DIN 6921 - M5 X 12				HEXAGON FLANGED BOLT	19
26	ISO 7040 - M3				HEX NUT WITH TORQUE PART	6
25	BS 4320 - M3 (FORM A)				BRIGHT METAL WASHER - METRIC SERIES	6
24	ISO 7045 - M3 X 25 - 4.8 - Z				PAN HEAD SCREW - GRADE A	6
23	ISO 7049 - ST 4.2 X 9.5 - C - Z				GROSS RECESSED PAN HEAD TAPPING SCREW	6
22	ISO 7045 - M5 X 12 - 4.8 - Z				PAN HEAD SCREW - GRADE A	2
21	TCP-2822				FUSE HOLDER SLOTTED IP67	2
20	TCP-3002				PROTECTIVE WINDOW COVER 8 WAY - GREY	1
19	TCP-4106				DECAL, CHANGEOVER SWITCH	1
18	TCP-4082				DECAL, CONTROL PANEL	1
17	TCP-2815				SELECTOR SWITCH 2 POSITION	3
16	TCP-2817				SELECTOR SWITCH 3 POSN SPG RET CTR	1
15	TCP-2835				MCB 10A TYPE B	1
14	TCP-2819				TERMINAL BLOCK 12 WAY 21A 275V	3
13	TCP-2836				MCB 6A TYPE D	1
12	TCP-2838				3110 220V RCCB 40AMP 30MA	1
11	TCP-2837				RELAY 2 POLE NO 230V COIL	1
10	TCP-2824				HOUR COUNTER 230V	1
9	TCP-2818				CHANGEOVER SWITCH 3 POLE 32A	1
8	TCP-2137				M25 CABLE GLAND	1
7	TCP-2108				M20 CABLE GLAND WITH LOCKNUT	2
6	TCP-4081				KLIPPON RAIL	1
5	TCP-4096-01				RAIL AND TERMINAL STRIP SUPPORT BRACKET	1
4	TCP-4096-2				SUPPORT BRACKET	2
3	TCP-4095-01				UPPER COVER - CONTROL BOX	1
2	TCP-4095-02				LOWER COVER - CONTROL BOX	1
1	TCP-4094				CONTROL BOX MK2	1

DRWN	CDR	TITLE	DESCRIPTION	QTY
DATE	DATE	CONTROL BOX ASSY - 3 SWITCH & CHANGEOVER		
16/09/2008	16/09/2008			
CHECKED		DRG NO.	TCP-4070-06 SA	SHEET 1 OF 1
		STOCK NO.		
		SA-4070-06		

MATERIAL FINISH: CLEAN & DEBURR

SCALE: 1:2

EMERSONS IN MM

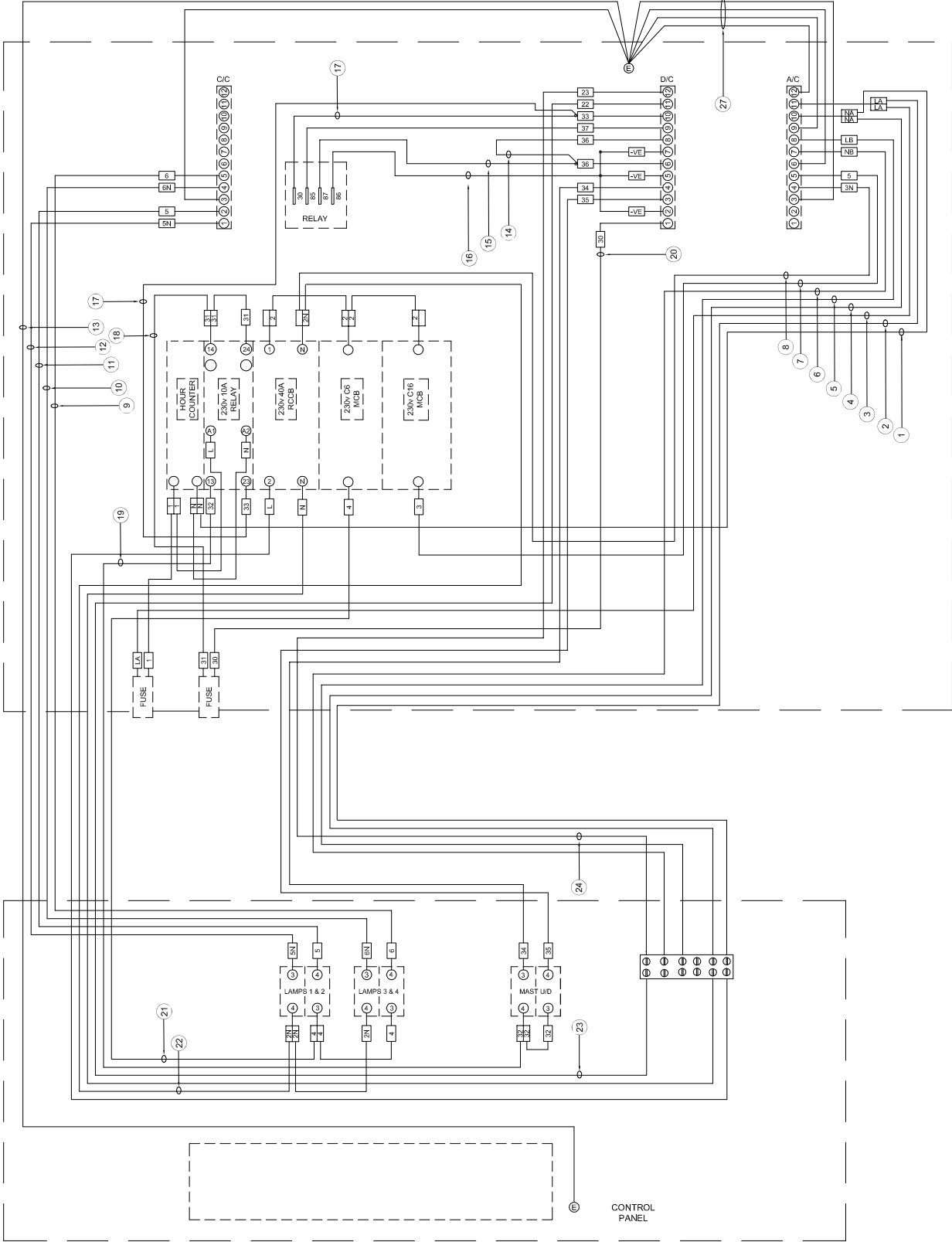
TOL: GENERAL: 0.5

PROCS: 1/2

TAYLOR CONSTRUCTION PLANT LTD.
 GARDEN ROAD, WALSLEY, ESSEX, CH49 5PA
 TEL: 01474 612111 WWW.TCP.CO.UK

UNCONTROLLED DOCUMENT
 CHECK FOR AMENDMENTS BEFORE USE

ECOLITE-T
SCHEMATICS
Version - 1



Item	Drwg No.	Strk. No.	Core Colours
1	2.5mm ² 1 CORE		BLUE
2	0.75mm ² 1 CORE		BROWN
3	2.5mm ² 1 CORE		BROWN
4	0.75mm ² 1 CORE		BLUE
5	2.5mm ² 1 CORE		BROWN
6	2.5mm ² 1 CORE		BLUE
7	2.5mm ² 1 CORE		BROWN
8	2.5mm ² 1 CORE		BLUE
9	1.5mm ² 1 CORE		BROWN
10	1.5mm ² 1 CORE		BLUE
11	1.5mm ² 1 CORE		BROWN
12	1.5mm ² 1 CORE		BLUE
13	2.5mm ² 1 CORE		YEL/GRN
14	1.0mm ² 1 CORE	70-0180	RED
15	1.0mm ² 1 CORE	70-0180	RED
16	1.0mm ² 1 CORE	70-0179	BLACK
17	2.0mm ² 1 CORE	70-0280	RED
18	2.0mm ² 1 CORE	70-0280	RED
19	2.0mm ² 1 CORE	70-0280	RED
20	2.0mm ² 1 CORE	70-0280	RED
21	1.5mm ² 1 CORE		BROWN
22	2.0mm ² 1 CORE	70-0180	RED
23	2.0mm ² 1 CORE	70-0180	RED
24	2.0mm ² 1 CORE	70-0291	BLACK
25			
26			
27	2.5mm ² 1 CORE		YEL/GRN
28	2.5mm ² 3 CORE		GE/YE-BN-BU
29	2.5mm ² 3 CORE		GE/YE-BN-BU

UNCONTROLLED DOCUMENT
CHECK FOR AMENDMENTS BEFORE USE

USED IN CONJUNCTION WITH TCP-4070-01 SD

TITLE: CABLE IDENTIFICATION AND TERMINATION ECOLITE-T & P

TAYLOR CONSTRUCTION PLANT LTD.
QUAYSIDE PARK, BATES ROAD,
MALDON, ESSEX, CM9 5FA
TEL: 441621 650777 FAX: 441621 943330
WWW.TCP.EU.COM

ISS	DESCRIPTION	CHKD	DATE	ISS	DESCRIPTION	CHKD	DATE
B	SEE DCA 00647		08/11				
A	INITIAL ISSUE		08/11				

DRN	LSV
CHKD	
APPD	
DATE	17.06.2011

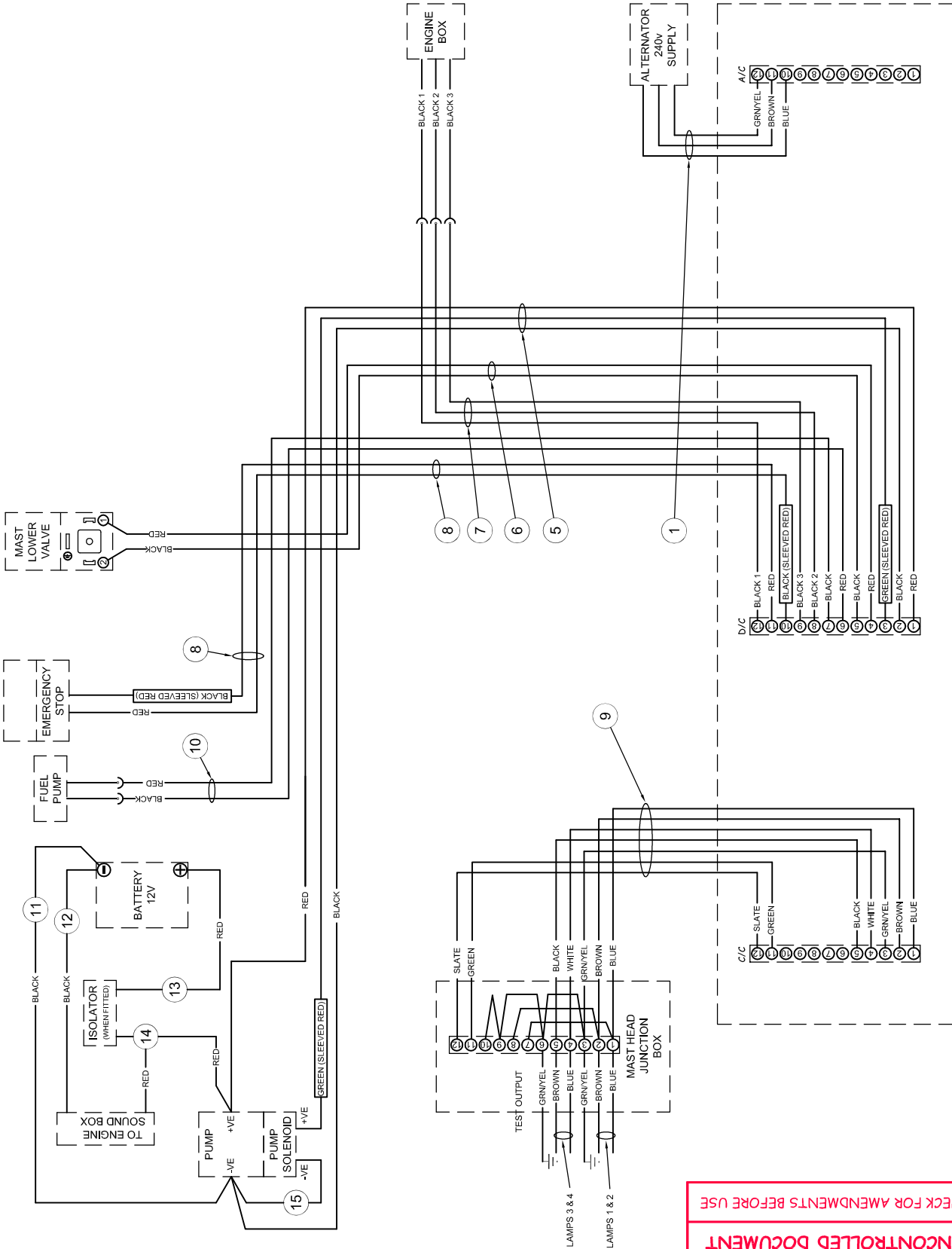
DWG No.	TCP-4070-01 WS	Sht. 1 of 2
---------	----------------	-------------

THIS DRAWING IS THE PROPERTY OF TAYLOR CONSTRUCTION PLANT LTD. AND MUST NOT BE COPIED, REPRODUCED OR DISCLOSED EXCEPT AS AUTHORISED IN WRITING BY TAYLOR CONSTRUCTION PLANT LTD. ©

2009

TAYLOR CONSTRUCTION PLANT LTD. RESERVE THE RIGHT TO CHANGE PRODUCTS & SPECIFICATIONS WITHOUT PRIOR NOTICE.

DWG No. TCP-4070-01 WS



UNCONTROLLED DOCUMENT
CHECK FOR AMENDMENTS BEFORE USE

Item	Drq No.	Stk. No.	Core Colours
1	2.5mm ² 3 CORE	71-0062	GE/YE-BN-BU
2			
3			
4			
5	2.5mm ² 3 CORE	71-0372	BK Numbered
6	1.5mm ² 2 CORE	71-0347	RD-BK
7**	2.5mm ² 3 CORE	71-0372	BK Numbered
8	2.5mm ² 2 CORE	71-0348	RD-BK
9	CURLY CORD	71-0273	MULTI COLOUR
10	1.5mm ² 2 CORE	71-0347	RD-BK
11	16mm ² 1 CORE	73-3073	BK
12	16mm ² 1 CORE	73-3071	BK
13	16mm ² 1 CORE	73-3070	RD
14	16mm ² 1 CORE	73-3072	RD
16	1.5mm ² 2 CORE	71-0347	RD-BK
17	1.5mm ² 2 CORE	71-0347	RD-BK
18	2.0mm ² 8 CORE		MULTI COLOUR

NOTE:
CABLE No. 7 IS A SPECIAL SIGNAL CABLE.
i.e. THE 3 INNER CORES ARE BLACK & NUMBERED

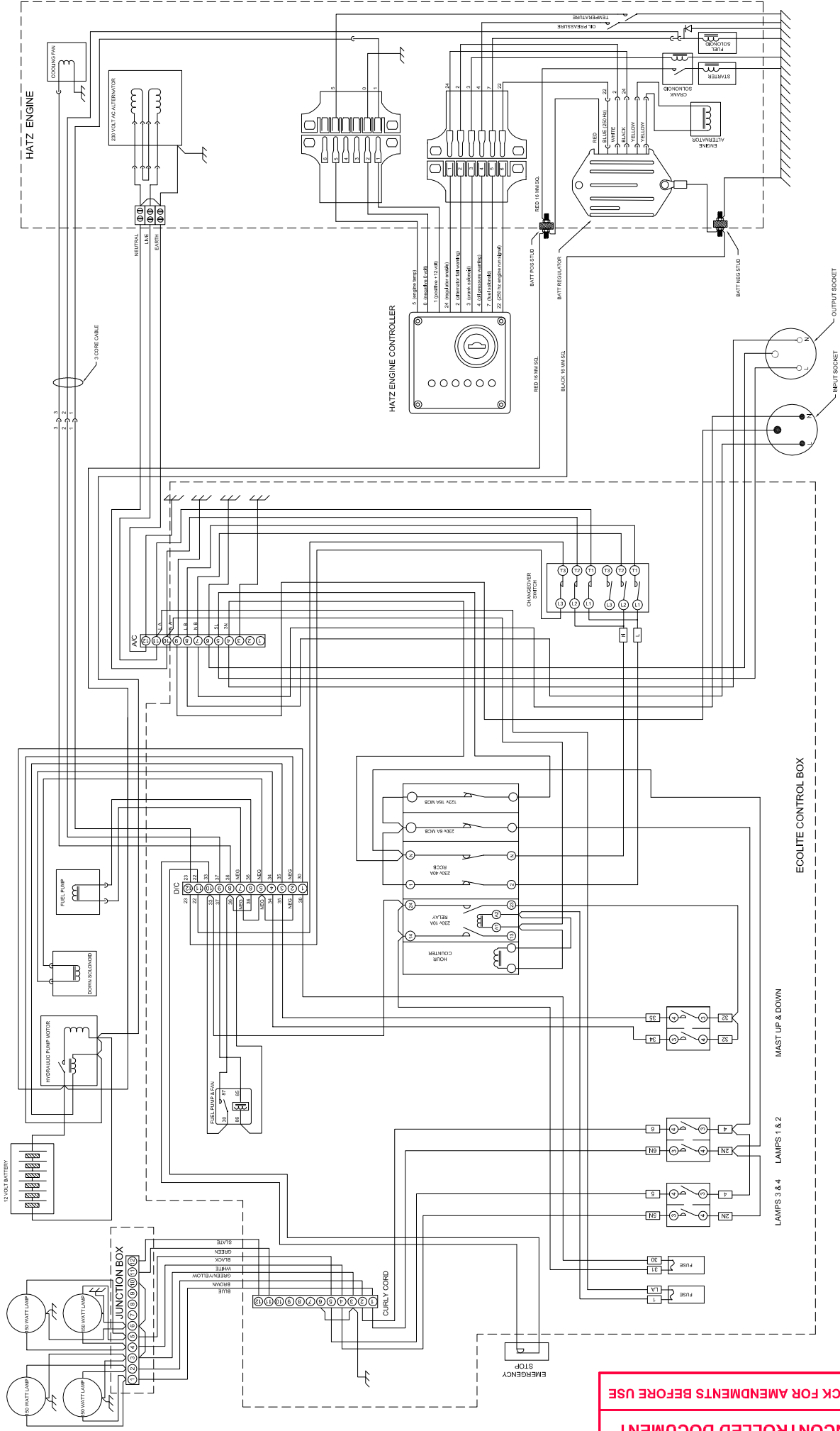
USED IN CONJUNCTION WITH TCP-4070-01 SD

TAYLOR CONSTRUCTION PLANT LTD.		TITLE: CABLE IDENTIFICATION AND TERMINATION, ECOLITE-T & P		DRN LSV
QUAYSIDE PARK, BATES ROAD, MALDON, ESSEX, CM9 5FA		DWG No. TCP-4070-01 WS		CHK'D
TEL+441621 850777 FAX+441621 843330		Shr. 2 of 2		APP'D
WWW.TCP.EU.COM		DATE		17.06.2011
ISS	DESCRIPTION	CHK'D	DATE	ISS
B	SEE DCA 00647		08/11	
A	INITIAL ISSUE		06/11	

THIS DRAWING IS THE PROPERTY OF TAYLOR CONSTRUCTION PLANT LTD. AND MUST NOT BE COPIED, REPRODUCED OR DISCLOSED EXCEPT AS AUTHORIZED IN WRITING BY TAYLOR CONSTRUCTION PLANT LTD. © 2009

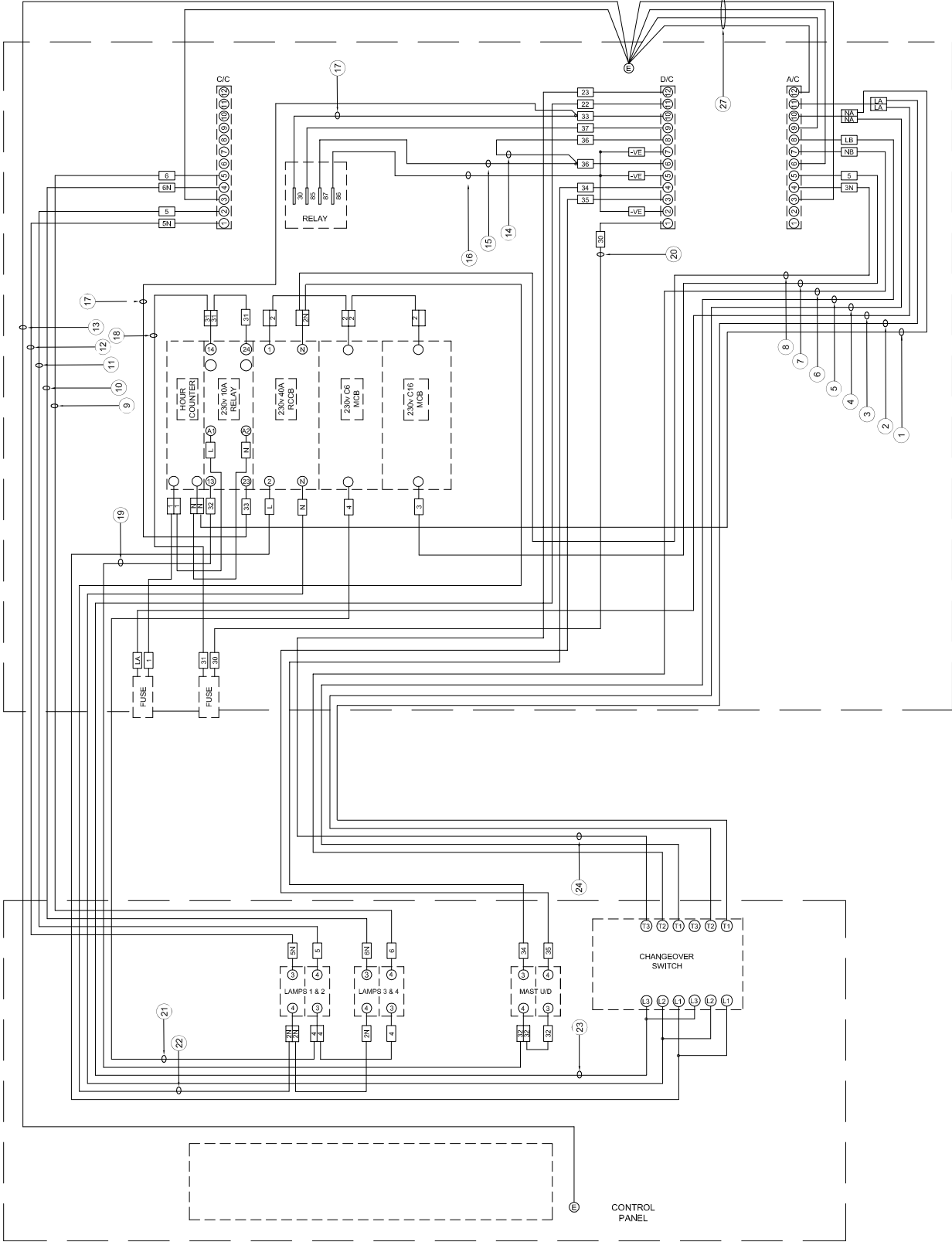
TAYLOR CONSTRUCTION PLANT LTD. RESERVE THE RIGHT TO CHANGE PRODUCTS & SPECIFICATIONS WITHOUT PRIOR NOTICE.

DWG No. TCP-4070-02 SD



UNCONTROLLED DOCUMENT
CHECK FOR AMENDMENTS BEFORE USE

ISS	A	INITIAL ISSUE	08/11	DATE	ISS	DESCRIPTION	CHKD	DATE	DESCRIPTION
TAYLOR CONSTRUCTION PLANT LTD. QUAYSIDE PARK, BATES ROAD, MALDON, ESSEX, CM6 5FA TEL: +441621 650777 FAX: +441621 943330 WWW.TCP.EU.COM									
TITLE: SCHEMATIC, HATZ CONTROL 230 V IN & OUT. ECOLITE-T & P									
DWG No. TCP-4070-02 SD									
Sh. 1 of 1									
DRN LSV									
CHKD									
APPD									
DATE									
17.06.2011									



Item	Drwg No.	Strk. No.	Core Colours
1	2.5mm ² 1 CORE		BLUE
2	0.75mm ² 1 CORE		BROWN
3	2.5mm ² 1 CORE		BROWN
4	0.75mm ² 1 CORE		BLUE
5	2.5mm ² 1 CORE		BROWN
6	2.5mm ² 1 CORE		BLUE
7	2.5mm ² 1 CORE		BROWN
8	2.5mm ² 1 CORE		BLUE
9	1.5mm ² 1 CORE		BROWN
10	1.5mm ² 1 CORE		BLUE
11	1.5mm ² 1 CORE		BROWN
12	1.5mm ² 1 CORE		BLUE
13	2.5mm ² 1 CORE		YEL/GRN
14	1.0mm ² 1 CORE	70-0180	RED
15	1.0mm ² 1 CORE	70-0180	RED
16	1.0mm ² 1 CORE	70-0179	BLACK
17	2.0mm ² 1 CORE	70-0280	RED
18	2.0mm ² 1 CORE	70-0280	RED
19	2.0mm ² 1 CORE	70-0280	RED
20	2.0mm ² 1 CORE	70-0280	RED
21	1.5mm ² 1 CORE		BROWN
22	1.5mm ² 1 CORE		BLUE
23	2.0mm ² 1 CORE	70-0180	RED
24	2.0mm ² 1 CORE	70-0291	BLACK
25			
26			
27	2.5mm ² 1 CORE		YEL/GRN
28	2.5mm ² 3 CORE		GE/YE-BN-BU
29	2.5mm ² 3 CORE		GE/YE-BN-BU

UNCONTROLLED DOCUMENT
CHECK FOR AMENDMENTS BEFORE USE

USED IN CONJUNCTION WITH TCP-4070-02 SD

TITLE: CABLE IDENTIFICATION AND TERMINATION. ECOLITE-T & P

TAYLOR CONSTRUCTION PLANT LTD.
QUAYSIDE PARK, BATES ROAD,
MALDON, ESSEX, CM9 5FA
TEL: 441621 650777 FAX: 441621 943330
WWW.TCP.EU.COM

ISS	DESCRIPTION	CHKD	DATE	ISS	DESCRIPTION	CHKD	DATE
B	SEE DCA 00647		08/11				
A	INITIAL ISSUE		08/11				

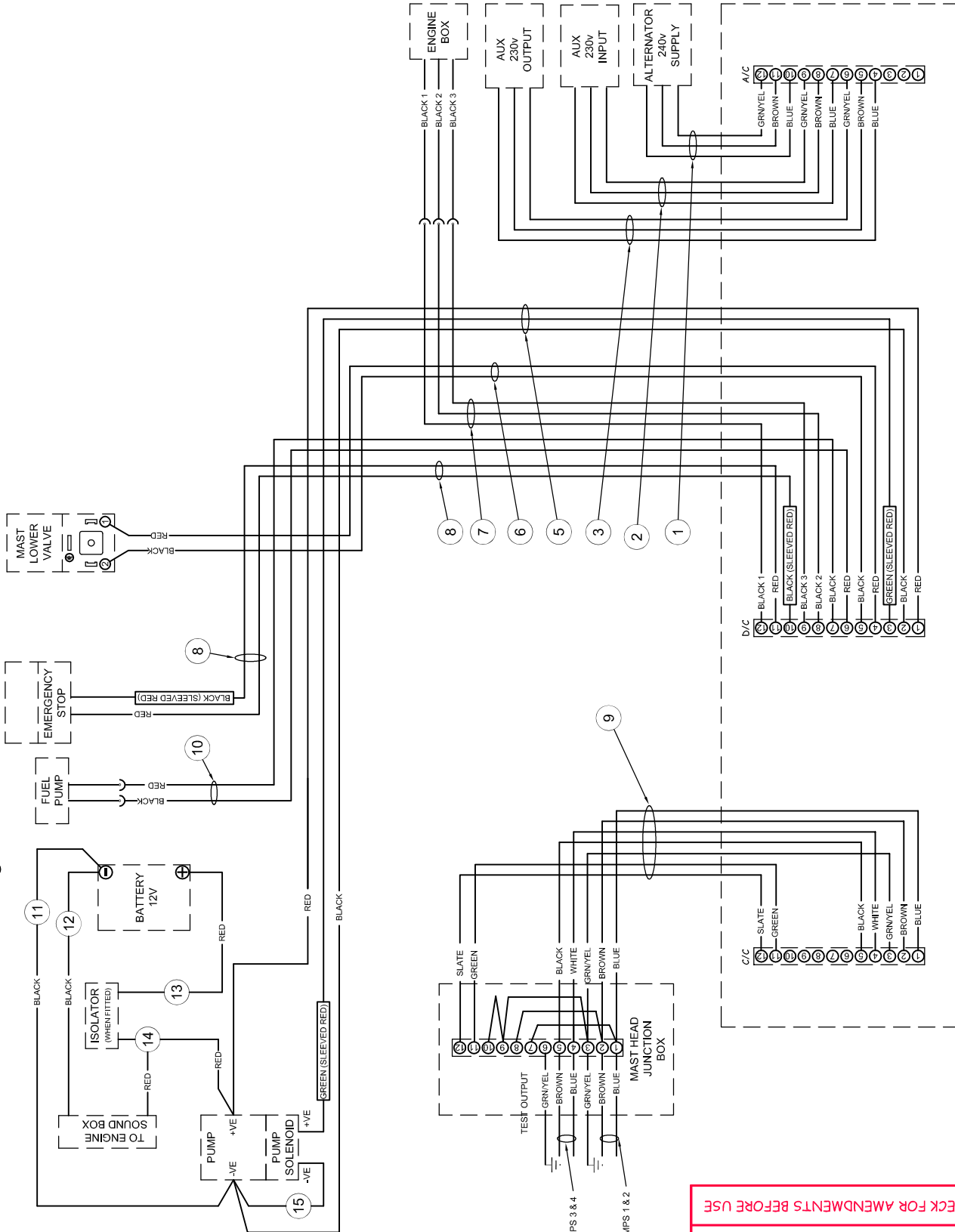
DRN	LSV
CHKD	
APPD	
DATE	DATE
17.06.2011	

DWG No.	TCP-4070-02 WS	Sht. 1 of 2
---------	----------------	-------------

THIS DRAWING IS THE PROPERTY OF TAYLOR CONSTRUCTION PLANT LTD. AND MUST NOT BE COPIED, REPRODUCED OR DISCLOSED EXCEPT AS AUTHORISED IN WRITING BY TAYLOR CONSTRUCTION PLANT LTD. ©

2009

TAYLOR CONSTRUCTION PLANT LTD. RESERVE THE RIGHT TO CHANGE PRODUCTS & SPECIFICATIONS WITHOUT PRIOR NOTICE.



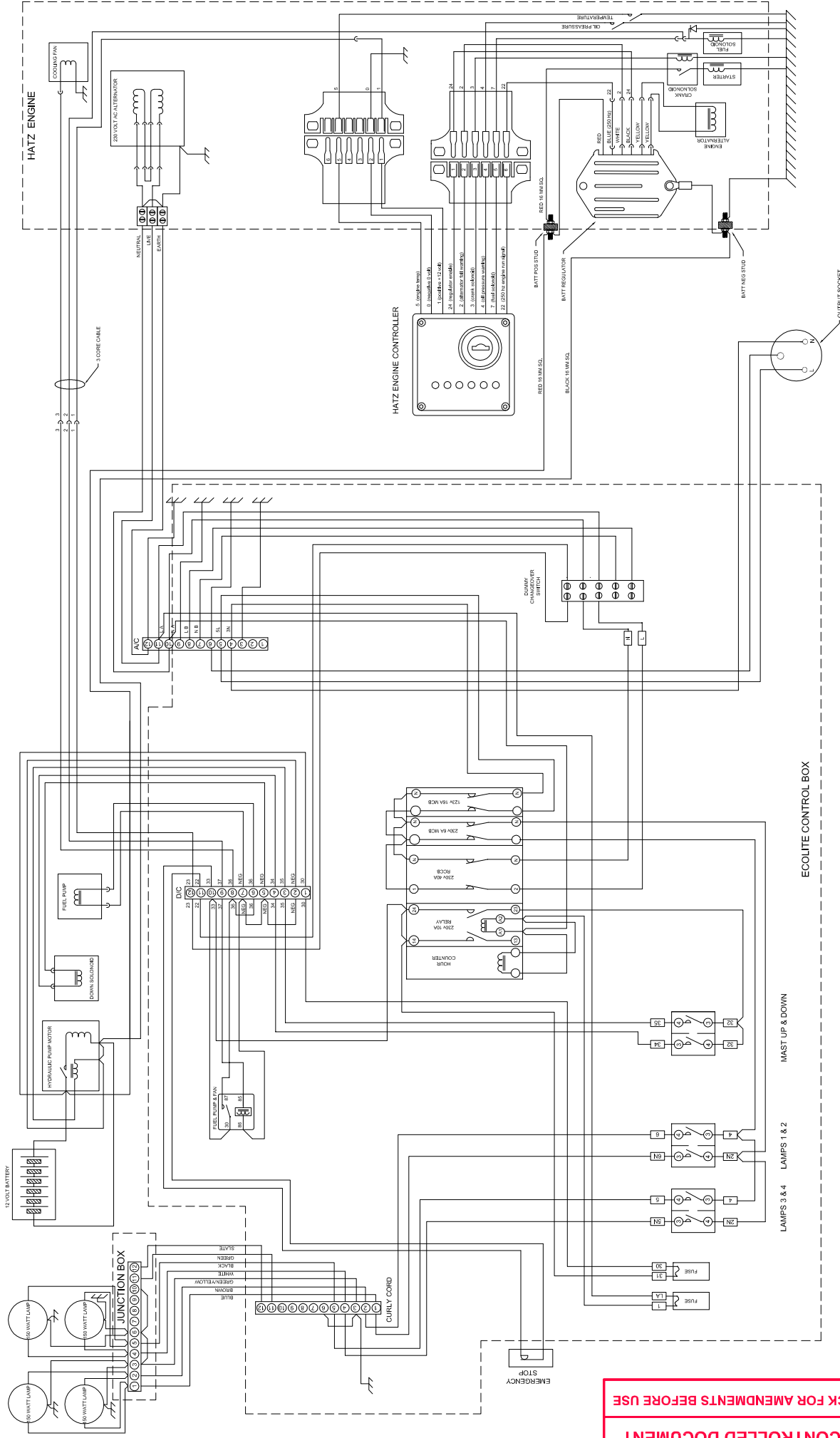
UNCONTROLLED DOCUMENT
CHECK FOR AMENDMENTS BEFORE USE

Item	Drwg No.	Stk. No.	Core Colours
1	2.5mm ² 3 CORE	71-0062	GE/YE-BN-BU
2	2.5mm ² 3 CORE	71-0062	GE/YE-BN-BU
3	2.5mm ² 3 CORE	71-0062	GE/YE-BN-BU
4			
5	2.5mm ² 3 CORE	71-0372	BK Numbered
6	1.5mm ² 2 CORE	71-0347	RD-BK
7**	2.5mm ² 3 CORE	71-0372	BK Numbered
8	2.5mm ² 2 CORE	71-0348	RD-BK
9	CURLY CORE	71-0273	MULTI COLOUR
10	1.5mm ² 2 CORE	71-0347	RD-BK
11	16mm ² 1 CORE	73-3073	BK
12	16mm ² 1 CORE	73-3071	BK
13	16mm ² 1 CORE	73-3070	RD
14	16mm ² 1 CORE	73-3072	RD
16	1.5mm ² 2 CORE	71-0347	RD-BK
17	1.5mm ² 2 CORE	71-0347	RD-BK
18	2.0mm ² 8 CORE		MULTI COLOUR

NOTE:
CABLE NO. 7 IS A SPECIAL SIGNAL CABLE.
i.e. THE 3 INNER CORES ARE BLACK & NUMBERED

USED IN CONJUNCTION WITH TCP-4070-02 SD

TAYLOR CONSTRUCTION PLANT LTD. QUAYSIDE PARK, BATES ROAD, MILDON, ESSEX, CM9 5FA TEL+441621 850777 FAX+441621 843330 WWW.TCP.EU.COM		TITLE: CABLE IDENTIFICATION AND TERMINATION, ECOLITE-T & P		DRN LSV
TAYLOR CONSTRUCTION PLANT LTD. ©		DWG No. TCP-4070-02 WS		CHK'D
ISS	DESCRIPTION	CHK'D	DATE	APP'D
B	SEE DCA 00647		08/11	
A	INITIAL ISSUE		06/11	
				DATE
				17.06.2011

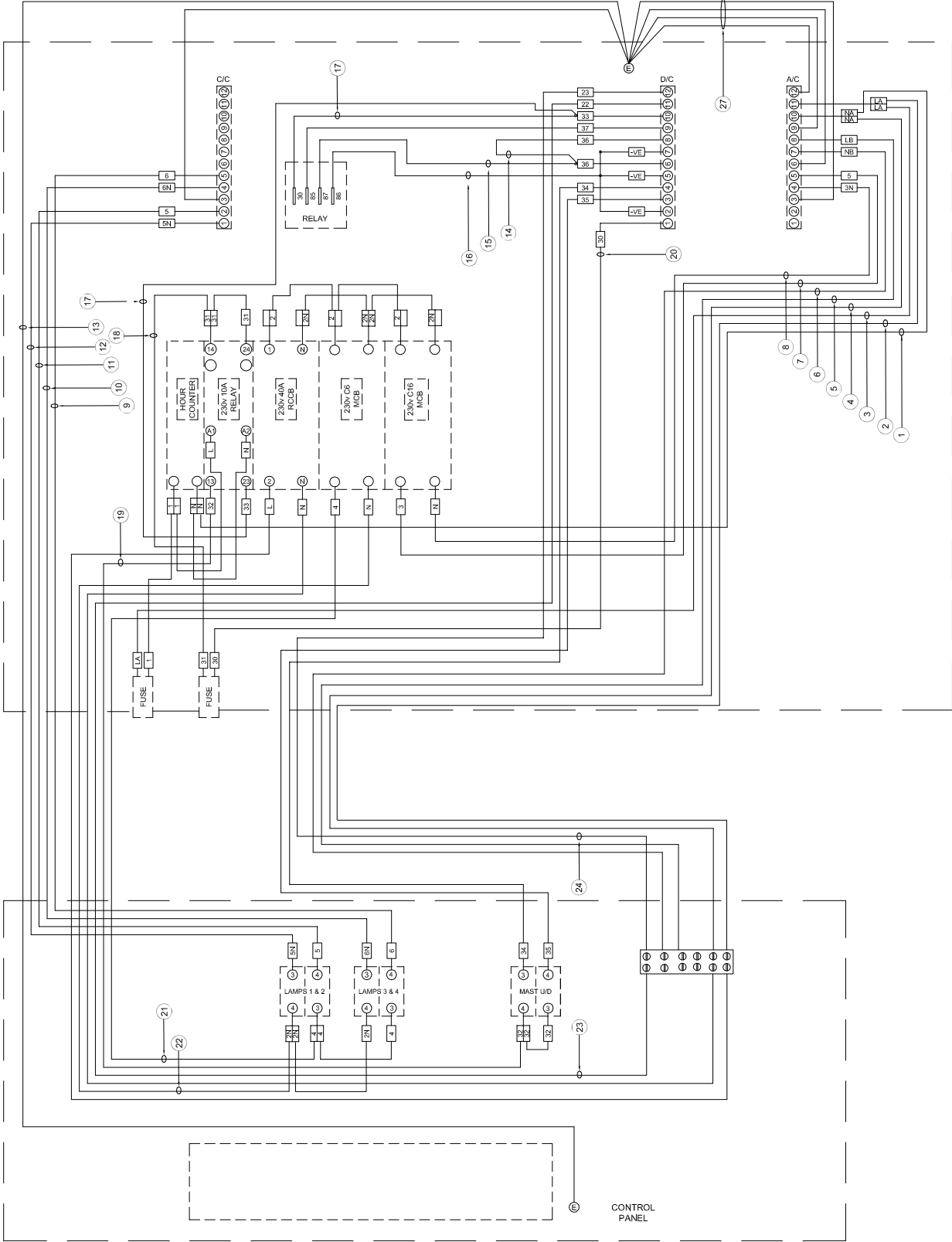


UNCONTROLLED DOCUMENT
CHECK FOR AMENDMENTS BEFORE USE

ISS	DESCRIPTION	CHKD	DATE	ISS	DESCRIPTION	CHKD	DATE
A	INITIAL ISSUE		08/11				

TAYLOR CONSTRUCTION PLANT LTD. QUAYSIDE PARK, BATES ROAD, MALDON, ESSEX, CM9 5FA TEL: 441621 650777 FAX: 441621 943390 WWW.TCP.EU.COM		TITLE: SCHEMATIC, HATZ CONTROL D/P 230V OUT. ECOLITE-T & P	
DRN	LSV	CHKD	APPD
DATE	17.06.2011	DATE	17.06.2011

DWG No.	TCP-4070-03 SD	Sht. 1 of 1
---------	----------------	-------------



Item	Drwg No.	Strk. No.	Core Colours
1	2.5mm ² 1 CORE		BLUE
2	0.75mm ² 1 CORE		BROWN
3	2.5mm ² 1 CORE		BROWN
4	0.75mm ² 1 CORE		BLUE
5	2.5mm ² 1 CORE		BROWN
6	2.5mm ² 1 CORE		BLUE
7	2.5mm ² 1 CORE		BROWN
8	2.5mm ² 1 CORE		BLUE
9	1.5mm ² 1 CORE		BROWN
10	1.5mm ² 1 CORE		BLUE
11	1.5mm ² 1 CORE		BROWN
12	1.5mm ² 1 CORE		BLUE
13	2.5mm ² 1 CORE		YEL/GRN
14	1.0mm ² 1 CORE	70-0180	RED
15	1.0mm ² 1 CORE	70-0180	RED
16	1.0mm ² 1 CORE	70-0179	BLACK
17	2.0mm ² 1 CORE	70-0280	RED
18	2.0mm ² 1 CORE	70-0280	RED
19	2.0mm ² 1 CORE	70-0280	RED
20	2.0mm ² 1 CORE	70-0280	RED
21	1.5mm ² 1 CORE		BROWN
22	1.5mm ² 1 CORE		BLUE
23	2.0mm ² 1 CORE	70-0180	RED
24	2.0mm ² 1 CORE	70-0291	BLACK
25			
26			
27	2.5mm ² 1 CORE		YEL/GRN
28	2.5mm ² 3 CORE		GE/YE-BN-BU
29	2.5mm ² 3 CORE		GE/YE-BN-BU

UNCONTROLLED DOCUMENT
CHECK FOR AMENDMENTS BEFORE USE

USED IN CONJUNCTION WITH TCP-4070-03 SD

TITLE: CABLE IDENTIFICATION AND TERMINATION ECOLITE-T & P

TAYLOR CONSTRUCTION PLANT LTD.
QUAYSIDE PARK, BATES ROAD,
MALDON, ESSEX, CM9 5FA
TEL: 441621 650777 FAX: 441621 943390
WWW.TCP.EU.COM

ISS	DESCRIPTION	CHKD	DATE	ISS	DESCRIPTION	CHKD	DATE
B	SEE DCA 00647		08/11				
A	INITIAL ISSUE		08/11				

DWG No. TCP-4070-03 WS

Sht. 1 of 2

DATE 17.06.2011

DRN LSV

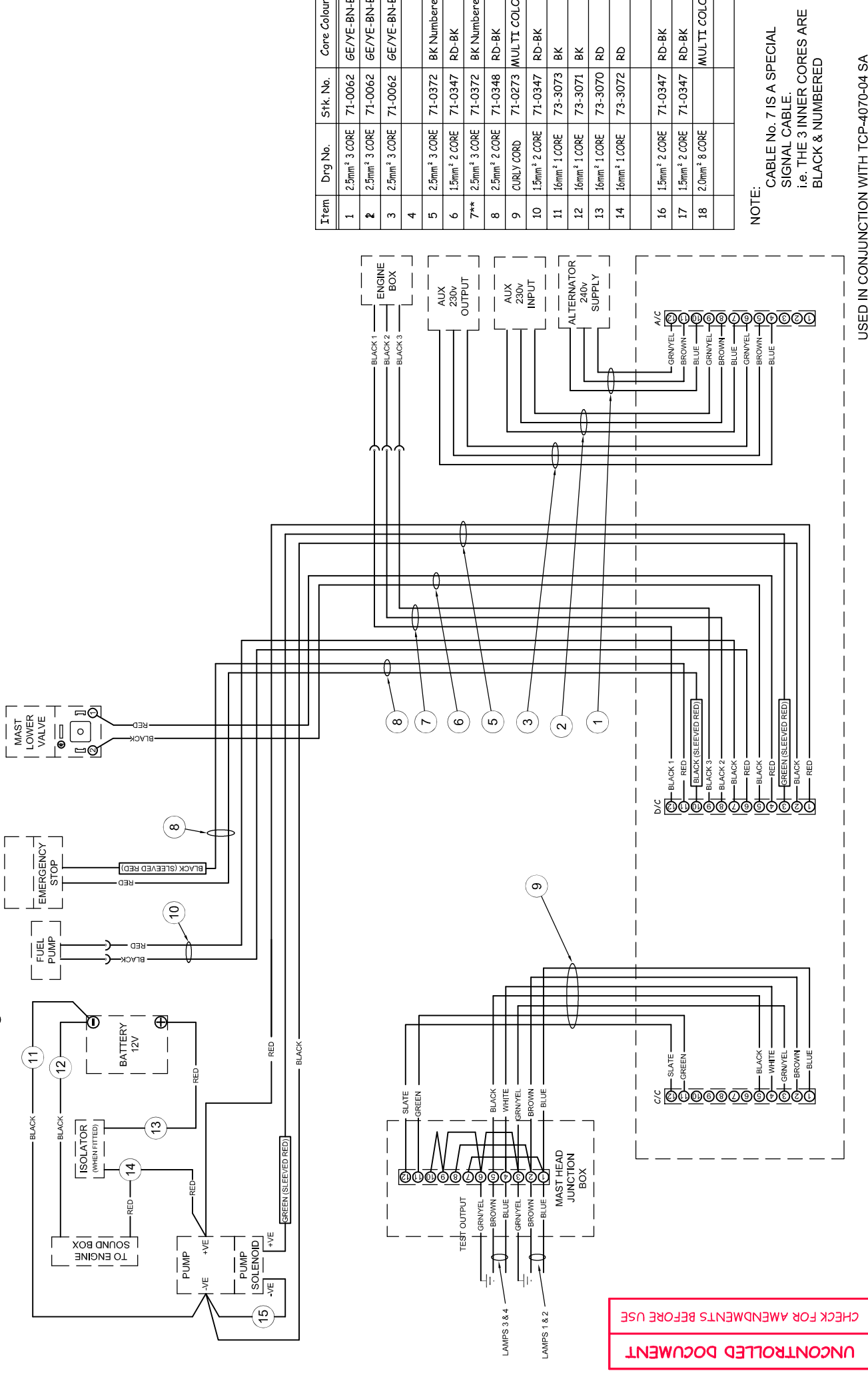
CHKD

APPD

THIS DRAWING IS THE PROPERTY OF TAYLOR CONSTRUCTION PLANT LTD. AND MUST NOT BE COPIED, REPRODUCED OR DISCLOSED EXCEPT AS AUTHORISED IN WRITING BY TAYLOR CONSTRUCTION PLANT LTD. © 2009

TAYLOR CONSTRUCTION PLANT LTD. RESERVE THE RIGHT TO CHANGE PRODUCTS & SPECIFICATIONS WITHOUT PRIOR NOTICE.

DWG No. TCP-4070-03 WS



UNCONTROLLED DOCUMENT
CHECK FOR AMENDMENTS BEFORE USE

Item	Drq No.	Stk. No.	Core Colours
1	2.5mm ² 3 CORE	71-0062	GE/YE-BN-BU
2	2.5mm ² 3 CORE	71-0062	GE/YE-BN-BU
3	2.5mm ² 3 CORE	71-0062	GE/YE-BN-BU
4			
5	2.5mm ² 3 CORE	71-0372	BK Numbered
6	1.5mm ² 2 CORE	71-0347	RD-BK
7**	2.5mm ² 3 CORE	71-0372	BK Numbered
8	2.5mm ² 2 CORE	71-0348	RD-BK
9	CURLY COIL	71-0273	MULTI COLOUR
10	1.5mm ² 2 CORE	71-0347	RD-BK
11	16mm ² 1 CORE	73-3073	BK
12	16mm ² 1 CORE	73-3071	BK
13	16mm ² 1 CORE	73-3070	RD
14	16mm ² 1 CORE	73-3072	RD
16	1.5mm ² 2 CORE	71-0347	RD-BK
17	1.5mm ² 2 CORE	71-0347	RD-BK
18	2.0mm ² 8 CORE		MULTI COLOUR

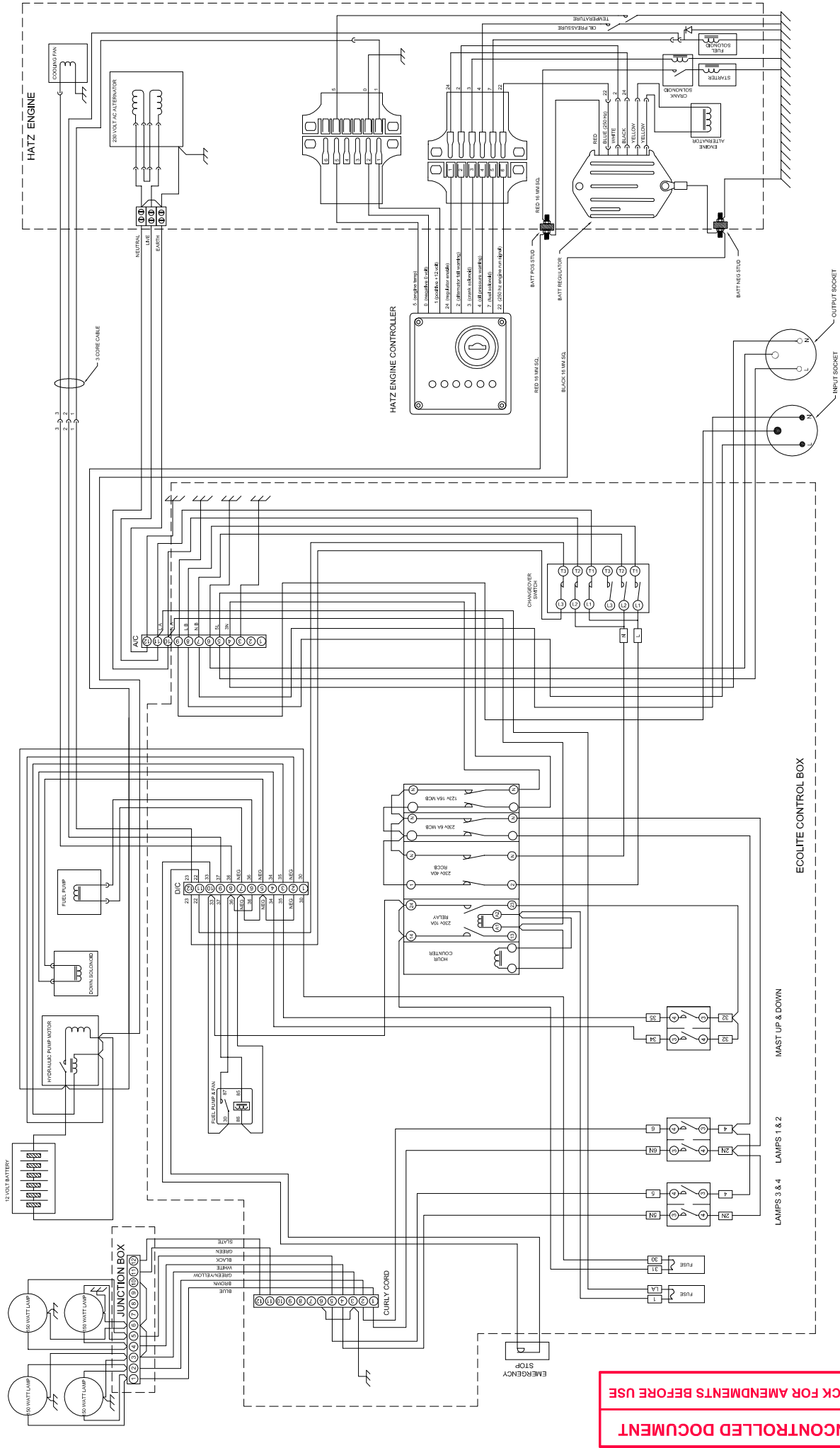
NOTE:
CABLE NO. 7 IS A SPECIAL SIGNAL CABLE.
i.e. THE 3 INNER CORES ARE BLACK & NUMBERED

USED IN CONJUNCTION WITH TCP-4070-04 SA

ISS	DESCRIPTION	CHK'D	DATE	ISS	DESCRIPTION	CHK'D	DATE
B	SEE DCA 00647		08/11				
A	INITIAL ISSUE		06/11				

TAYLOR CONSTRUCTION PLANT LTD.			
QUAYSIDE PARK, BATES ROAD, MALDON, ESSEX, CM9 5FA			
TEL+441621 850777 FAX+441621 843330			
WWW.TCP.EU.COM			

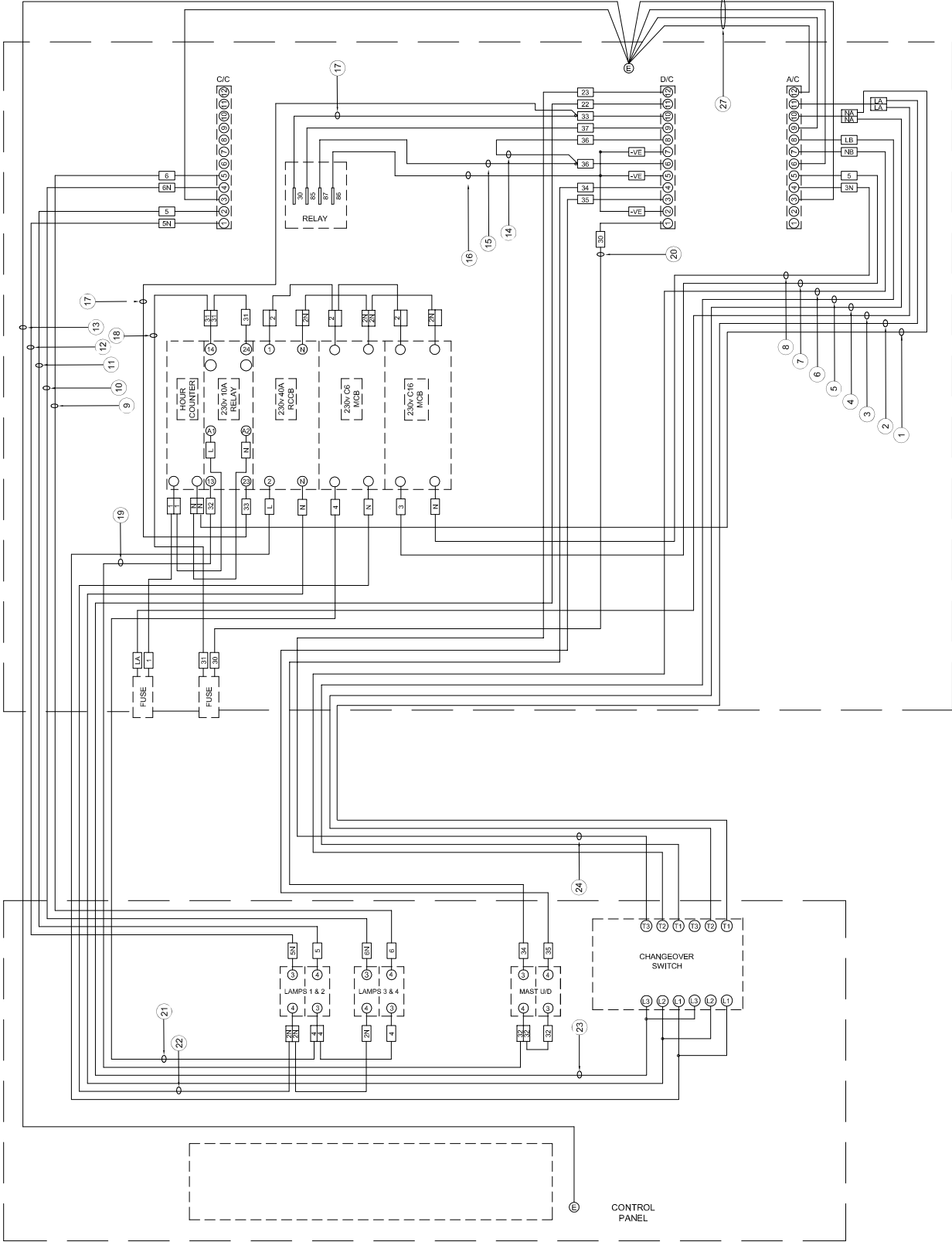
TITLE: CABLE IDENTIFICATION AND TERMINATION, ECOLITE-T & P		DRN LSV	
DWG No. TCP-4070-03 WS	Shk. 2 of 2	CHK'D	APP'D
		DATE	DATE
		17.06.2011	



UNCONTROLLED DOCUMENT
CHECK FOR AMENDMENTS BEFORE USE

ISS	DESCRIPTION	CHKD	DATE	ISS	DATE	DESCRIPTION	CHKD	DATE
A	INITIAL ISSUE		08/11					

TAYLOR CONSTRUCTION PLANT LTD. QUAYSIDE PARK, BATES ROAD, MALDON, ESSEX, CM6 5FA TEL: +441621 650777 FAX: +441621 943330 WWW.TCP.EU.COM	TITLE: SCHEMATIC, HATZ CONTROL D/P 230 V IN & OUT. ECOLITE-T & P DWG No. TCP-4070-04 SD Sht. 1 of 1
DRN LSV	CHKD
APPD	DATE
17.06.2011	H



Item	Drwg No.	Strk. No.	Core Colours
1	2.5mm ² 1 CORE		BLUE
2	0.75mm ² 1 CORE		BROWN
3	2.5mm ² 1 CORE		BROWN
4	0.75mm ² 1 CORE		BLUE
5	2.5mm ² 1 CORE		BROWN
6	2.5mm ² 1 CORE		BLUE
7	2.5mm ² 1 CORE		BROWN
8	2.5mm ² 1 CORE		BLUE
9	1.5mm ² 1 CORE		BROWN
10	1.5mm ² 1 CORE		BLUE
11	1.5mm ² 1 CORE		BROWN
12	1.5mm ² 1 CORE		BLUE
13	2.5mm ² 1 CORE		YEL/GRN
14	1.0mm ² 1 CORE	70-0180	RED
15	1.0mm ² 1 CORE	70-0180	RED
16	1.0mm ² 1 CORE	70-0179	BLACK
17	2.0mm ² 1 CORE	70-0280	RED
18	2.0mm ² 1 CORE	70-0280	RED
19	2.0mm ² 1 CORE	70-0280	RED
20	2.0mm ² 1 CORE	70-0280	RED
21	1.5mm ² 1 CORE		BROWN
22	1.5mm ² 1 CORE		BLUE
23	2.0mm ² 1 CORE	70-0180	RED
24	2.0mm ² 1 CORE	70-0291	BLACK
25			
26			
27	2.5mm ² 1 CORE		YEL/GRN
28	2.5mm ² 3 CORE		GE/YE-BN-BU
29	2.5mm ² 3 CORE		GE/YE-BN-BU

UNCONTROLLED DOCUMENT
CHECK FOR AMENDMENTS BEFORE USE

USED IN CONJUNCTION WITH TCP-4070-04 SD

TITLE: CABLE IDENTIFICATION AND TERMINATION ECOLITE-T & P

TAYLOR CONSTRUCTION PLANT LTD.
QUAYSIDE PARK, BATES ROAD,
MALDON, ESSEX, CM9 5FA
TEL: 441621 650777 FAX: 441621 943330
WWW.TCP.EU.COM

ISS	DESCRIPTION	CHKD	DATE	ISS	DESCRIPTION	CHKD	DATE
B	SEE DCA 00647		08/11				
A	INITIAL ISSUE		08/11				

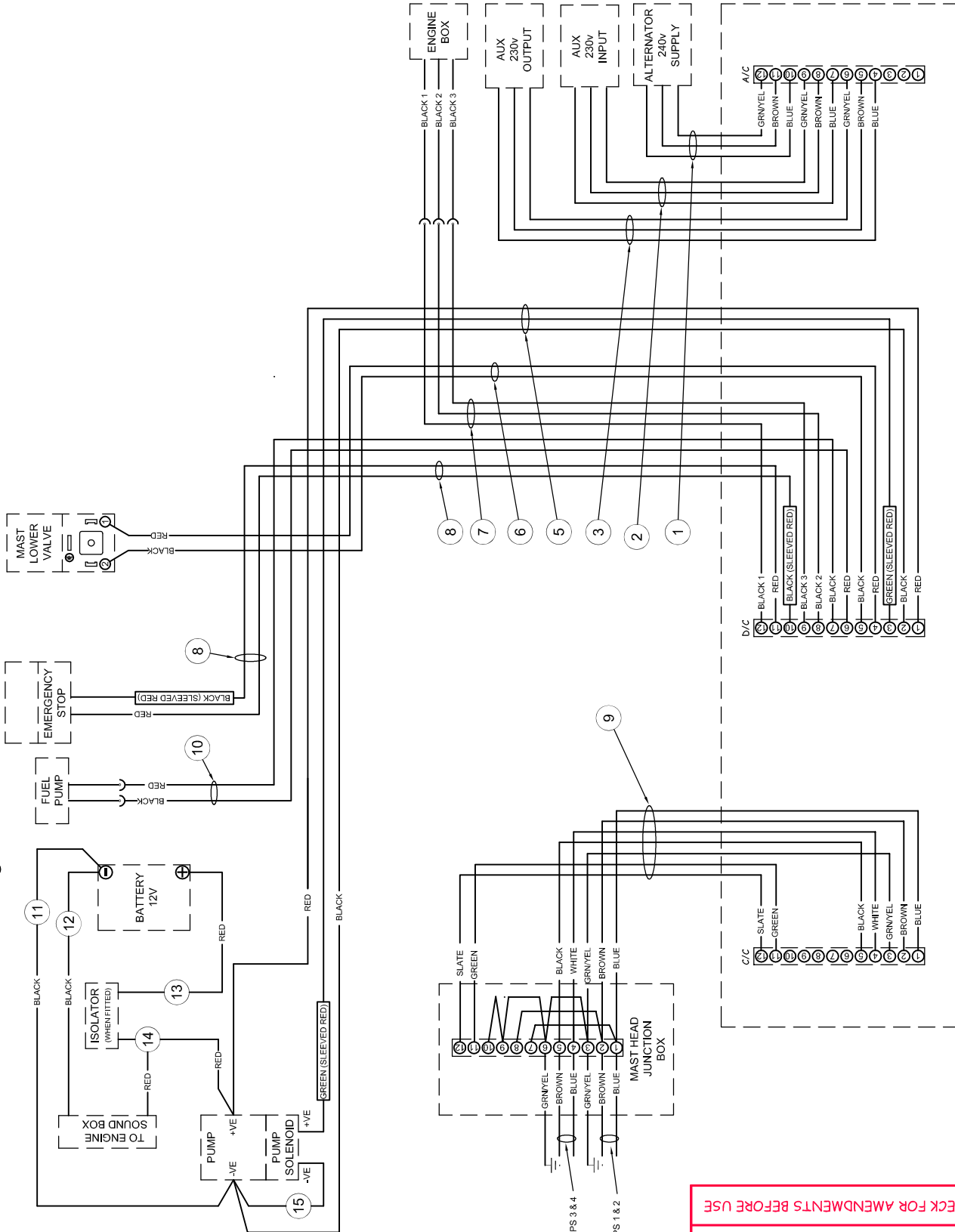
DRN	LSV
CHKD	
APPD	
DATE	17.06.2011

DWG No.	TCP-4070-04 WS	Sht. 1 of 2
---------	----------------	-------------

THIS DRAWING IS THE PROPERTY OF TAYLOR CONSTRUCTION PLANT LTD. AND MUST NOT BE COPIED, REPRODUCED OR DISCLOSED EXCEPT AS AUTHORISED IN WRITING BY TAYLOR CONSTRUCTION PLANT LTD. ©

2009

TAYLOR CONSTRUCTION PLANT LTD. RESERVE THE RIGHT TO CHANGE PRODUCTS & SPECIFICATIONS WITHOUT PRIOR NOTICE.



UNCONTROLLED DOCUMENT
CHECK FOR AMENDMENTS BEFORE USE

Item	Drwg No.	Stk. No.	Core Colours
1	2.5mm ² 3 CORE	71-0062	GE/YE-BN-BU
2	2.5mm ² 3 CORE	71-0062	GE/YE-BN-BU
3	2.5mm ² 3 CORE	71-0062	GE/YE-BN-BU
4			
5	2.5mm ² 3 CORE	71-0372	BK Numbered
6	1.5mm ² 2 CORE	71-0347	RD-BK
7**	2.5mm ² 3 CORE	71-0372	BK Numbered
8	2.5mm ² 2 CORE	71-0348	RD-BK
9	CURLY CORD	71-0273	MULTI COLOUR
10	1.5mm ² 2 CORE	71-0347	RD-BK
11	16mm ² 1 CORE	73-3073	BK
12	16mm ² 1 CORE	73-3071	BK
13	16mm ² 1 CORE	73-3070	RD
14	16mm ² 1 CORE	73-3072	RD
16	1.5mm ² 2 CORE	71-0347	RD-BK
17	1.5mm ² 2 CORE	71-0347	RD-BK
18	2.0mm ² 8 CORE		MULTI COLOUR

NOTE:
CABLE NO. 7 IS A SPECIAL SIGNAL CABLE.
i.e. THE 3 INNER CORES ARE BLACK & NUMBERED

USED IN CONJUNCTION WITH TCP-4070-04 SD

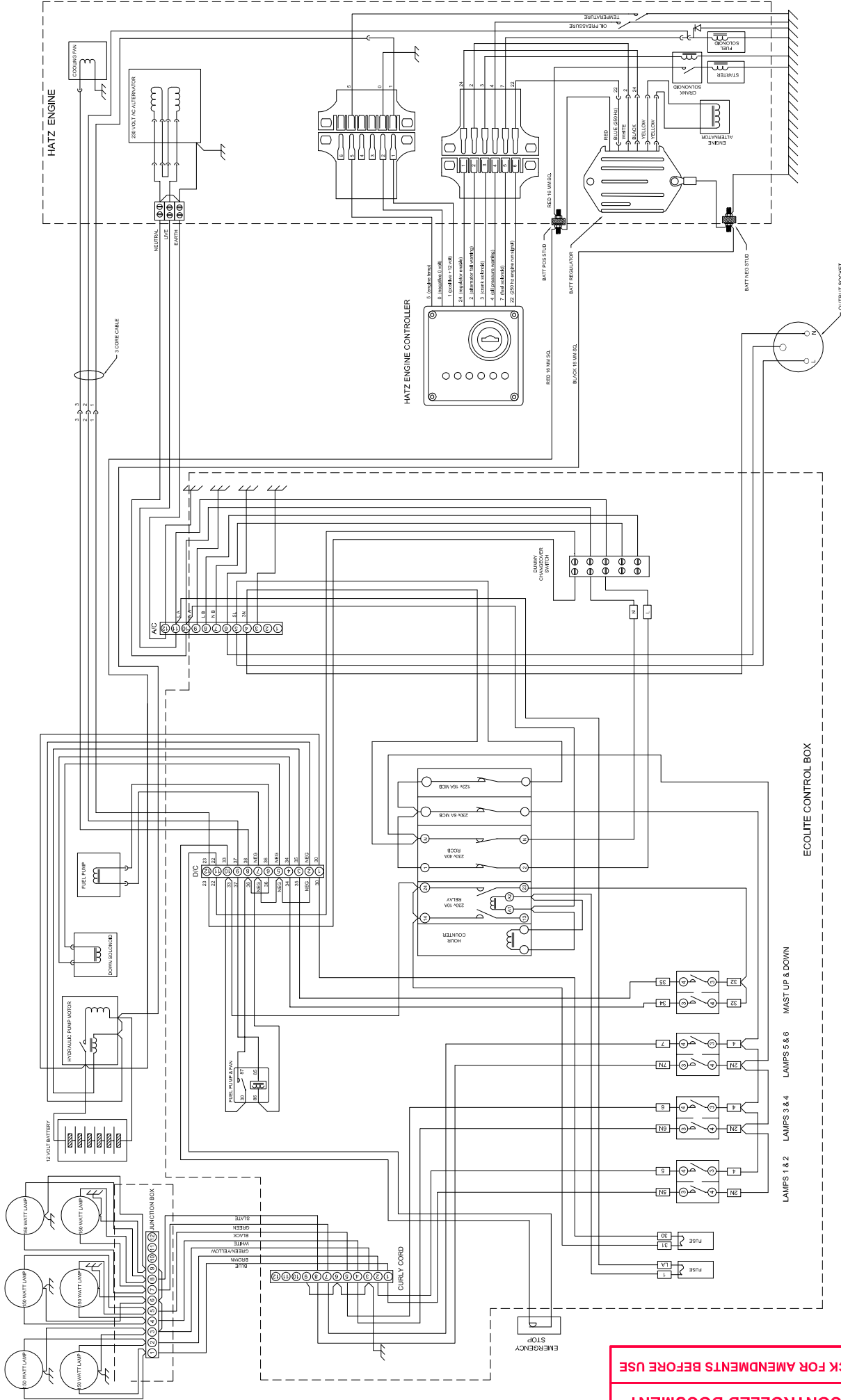
TAYLOR CONSTRUCTION PLANT LTD. QUAYSIDE PARK, BATES ROAD, MILDON, ESSEX, CM9 5FA TEL+441621 850777 FAX+441621 843330 WWW.TCP.EU.COM		TITLE: CABLE IDENTIFICATION AND TERMINATION, ECOLITE-T & P		DRN LSV
DESCRIPTION		CHK'D	DATE	CHK'D
ISS	DESCRIPTION	CHK'D	DATE	ISS
B	SEE DCA 00647		08/11	
A	INITIAL ISSUE		06/11	
ISS				

DWG No. TCP-4070-04 WS Sht. 2 of 2 DATE 17.06.2011

THIS DRAWING IS THE PROPERTY OF TAYLOR CONSTRUCTION PLANT LTD. AND MUST NOT BE COPIED, REPRODUCED OR DISCLOSED EXCEPT AS AUTHORIZED IN WRITING BY TAYLOR CONSTRUCTION PLANT LTD. © 2009

TAYLOR CONSTRUCTION PLANT LTD. RESERVE THE RIGHT TO CHANGE PRODUCTS & SPECIFICATIONS WITHOUT PRIOR NOTICE.

DWG No. TCP-4070-05 SD

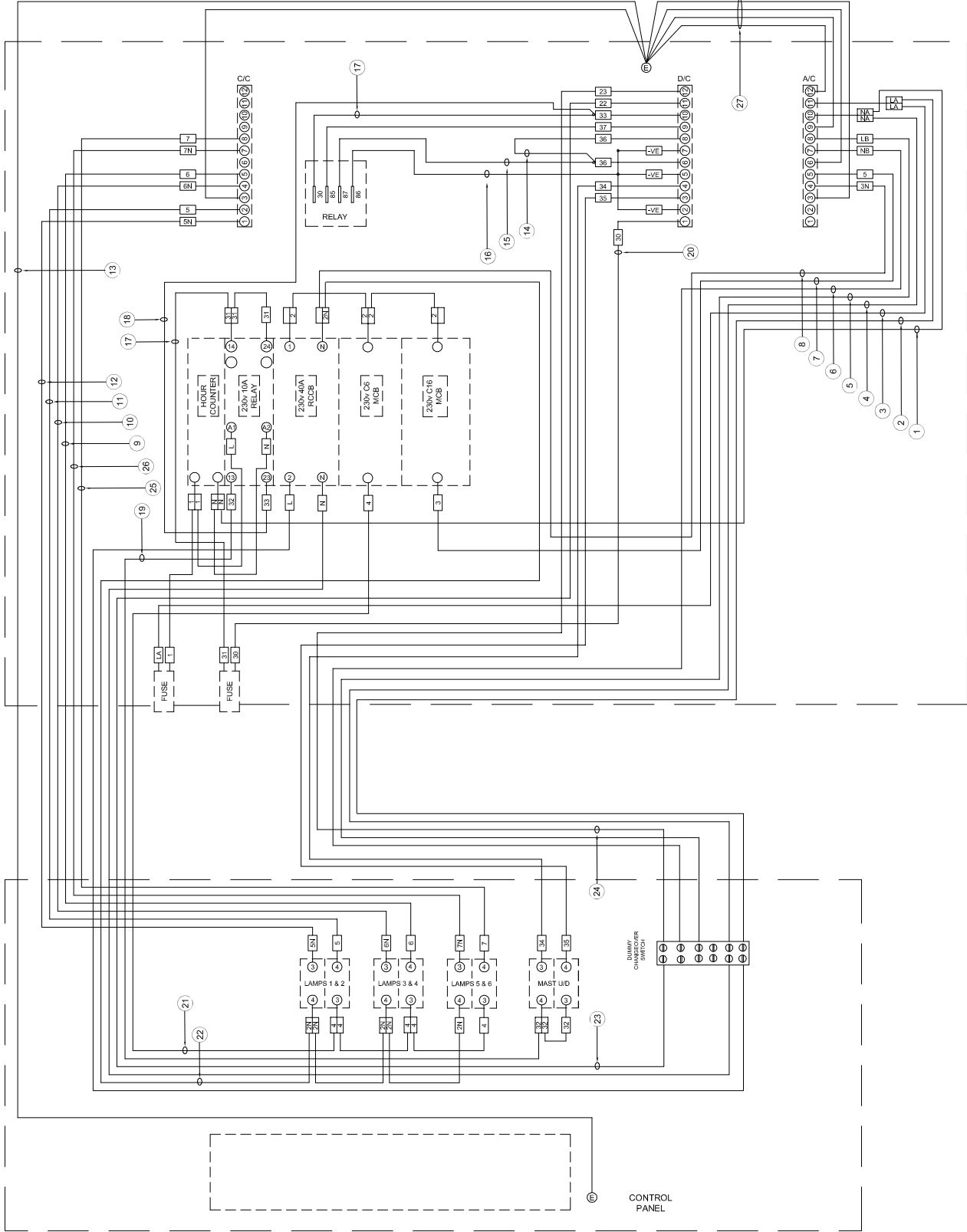


UNCONTROLLED DOCUMENT
CHECK FOR AMENDMENTS BEFORE USE

ISS	DESCRIPTION	CHKD	DATE	ISS	DATE	DESCRIPTION	CHKD	DATE
A	INITIAL ISSUE		08/11					

TAYLOR CONSTRUCTION PLANT LTD. QUAYSIDE PARK, BATES ROAD, MALDON, ESSEX, CM9 5FA TEL: +441621 650777 FAX: +441621 943330 WWW.TCP.EU.COM	TITLE: SCHEMATIC, HATZ CONTROL 6 LAMP 230 V OUT ECOLITE-T & P DWG No. TCP-4070-05 SD Sht. 1 of 1
---	--

DRN	LSV	CHKD	APPD	DATE
				20.06.2011



Item	Drwg No.	Strk. No.	Core Colours
1	2.5mm ² 1 CORE		BLUE
2	0.75mm ² 1 CORE		BROWN
3	2.5mm ² 1 CORE		BROWN
4	0.75mm ² 1 CORE		BLUE
5	2.5mm ² 1 CORE		BROWN
6	2.5mm ² 1 CORE		BLUE
7	2.5mm ² 1 CORE		BROWN
8	2.5mm ² 1 CORE		BLUE
9	1.5mm ² 1 CORE		BROWN
10	1.5mm ² 1 CORE		BLUE
11	1.5mm ² 1 CORE		BROWN
12	1.5mm ² 1 CORE		BLUE
13	2.5mm ² 1 CORE		YEL/GRN
14	1.0mm ² 1 CORE	70-0180	RED
15	1.0mm ² 1 CORE	70-0180	RED
16	1.0mm ² 1 CORE	70-0179	BLACK
17	2.0mm ² 1 CORE	70-0280	RED
18	2.0mm ² 1 CORE	70-0280	RED
19	2.0mm ² 1 CORE	70-0280	RED
20	2.0mm ² 1 CORE	70-0280	RED
21	1.5mm ² 1 CORE		BROWN
22	1.5mm ² 1 CORE		BLUE
23	2.0mm ² 1 CORE	70-0180	RED
24	2.0mm ² 1 CORE	70-0291	BLACK
25	1.5mm ² 1 CORE		BROWN
26	1.5mm ² 1 CORE		BLUE
27	2.5mm ² 1 CORE		YEL/GRN
28	2.5mm ² 3 CORE		GE/YE-BN-BU
29	2.5mm ² 3 CORE		GE/YE-BN-BU

UNCONTROLLED DOCUMENT
CHECK FOR AMENDMENTS BEFORE USE

USED IN CONJUNCTION WITH TCP-4070-05 SD

ISS	DESCRIPTION	CHKD	DATE	ISS	DESCRIPTION	CHKD	DATE
B	SEE DCA 00647		08/11				
A	INITIAL ISSUE		08/11				

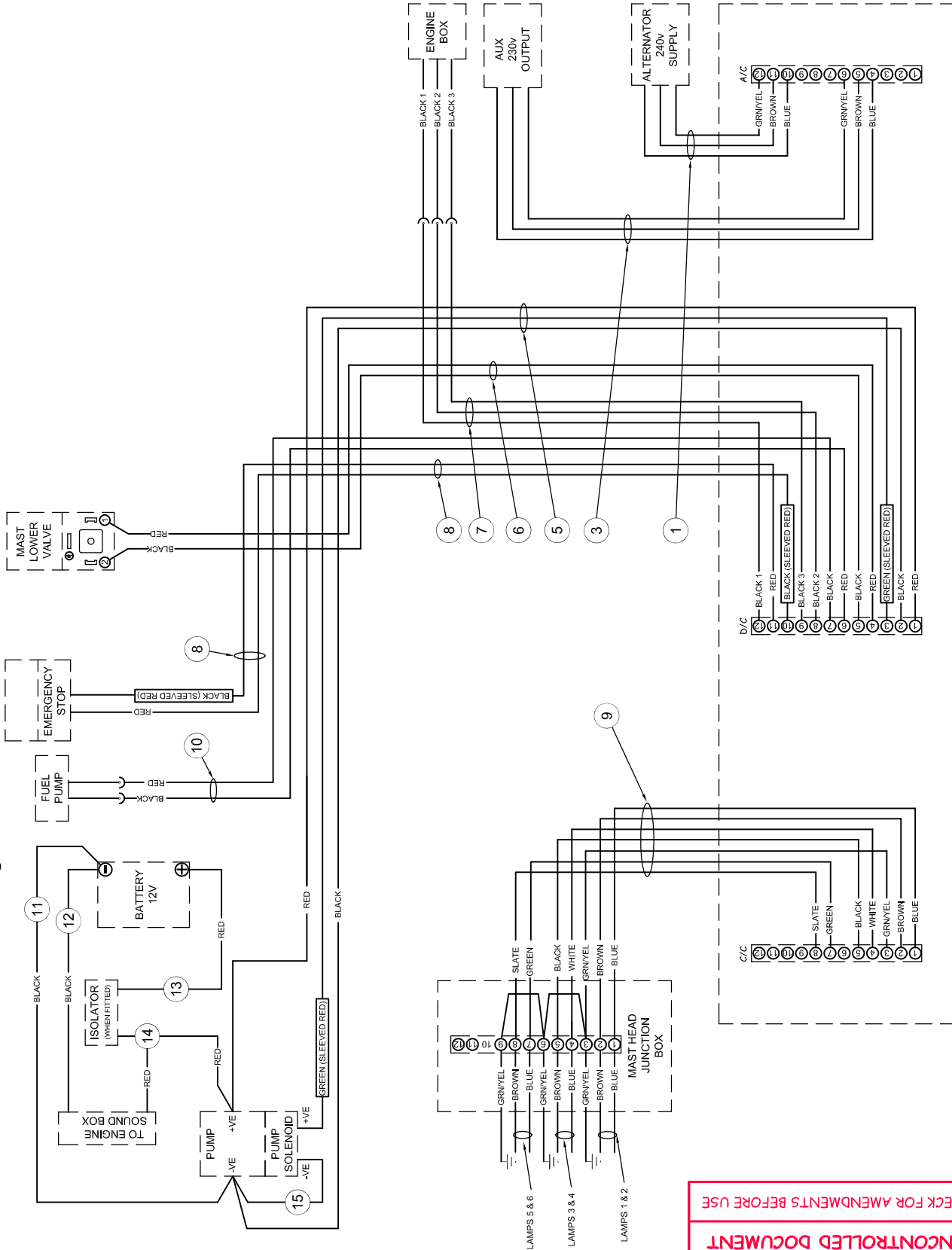
TAYLOR CONSTRUCTION PLANT LTD.		TITLE: CABLE IDENTIFICATION AND TERMINATION ECOLITE-T & P	
QUAYSIDE PARK, BATES ROAD, MALDON, ESSEX, CM9 5FA		DRN LSV	
TEL: 441621 650777 FAX: 441621 943330		CHKD	
WWW.TCP.EU.COM		APPD	
		DATE	
		20.06.2011	

DWG No.	TCP-4070-05 WS	Sht. 1 of 2
H G F E D C B A		

THIS DRAWING IS THE PROPERTY OF TAYLOR CONSTRUCTION PLANT LTD. AND MUST NOT BE COPIED, REPRODUCED OR DISCLOSED EXCEPT AS AUTHORISED IN WRITING BY TAYLOR CONSTRUCTION PLANT LTD. ©

2009

TAYLOR CONSTRUCTION PLANT LTD. RESERVE THE RIGHT TO CHANGE PRODUCTS & SPECIFICATIONS WITHOUT PRIOR NOTICE.



Item	Drwg No.	Stk. No.	Core Colours
1	2.5mm ² 3 CORE	71-0062	GE/YE-BN-BU
2	2.5mm ² 3 CORE	71-0062	GE/YE-BN-BU
3	2.5mm ² 3 CORE	71-0062	GE/YE-BN-BU
4	2.5mm ² 3 CORE	71-0062	GE/YE-BN-BU
5	2.5mm ² 3 CORE	71-0372	BK Numbered
6	1.5mm ² 2 CORE	71-0347	RD-BK
7**	2.5mm ² 3 CORE	71-0372	BK Numbered
8	2.5mm ² 2 CORE	71-0348	RD-BK
9	CURLY CORE	71-0273	MULTI COLOUR
10	1.5mm ² 2 CORE	71-0347	RD-BK
11	16mm ² 1 CORE	73-3073	BK
12	16mm ² 1 CORE	73-3071	BK
13	16mm ² 1 CORE	73-3070	RD
14	16mm ² 1 CORE	73-3072	RD
16	1.5mm ² 2 CORE	71-0347	RD-BK
17	1.5mm ² 2 CORE	71-0347	RD-BK
18	2.0mm ² 8 CORE		MULTI COLOUR

NOTE:
CABLE NO. 7 IS A SPECIAL SIGNAL CABLE.
i.e. THE 3 INNER CORES ARE BLACK & NUMBERED

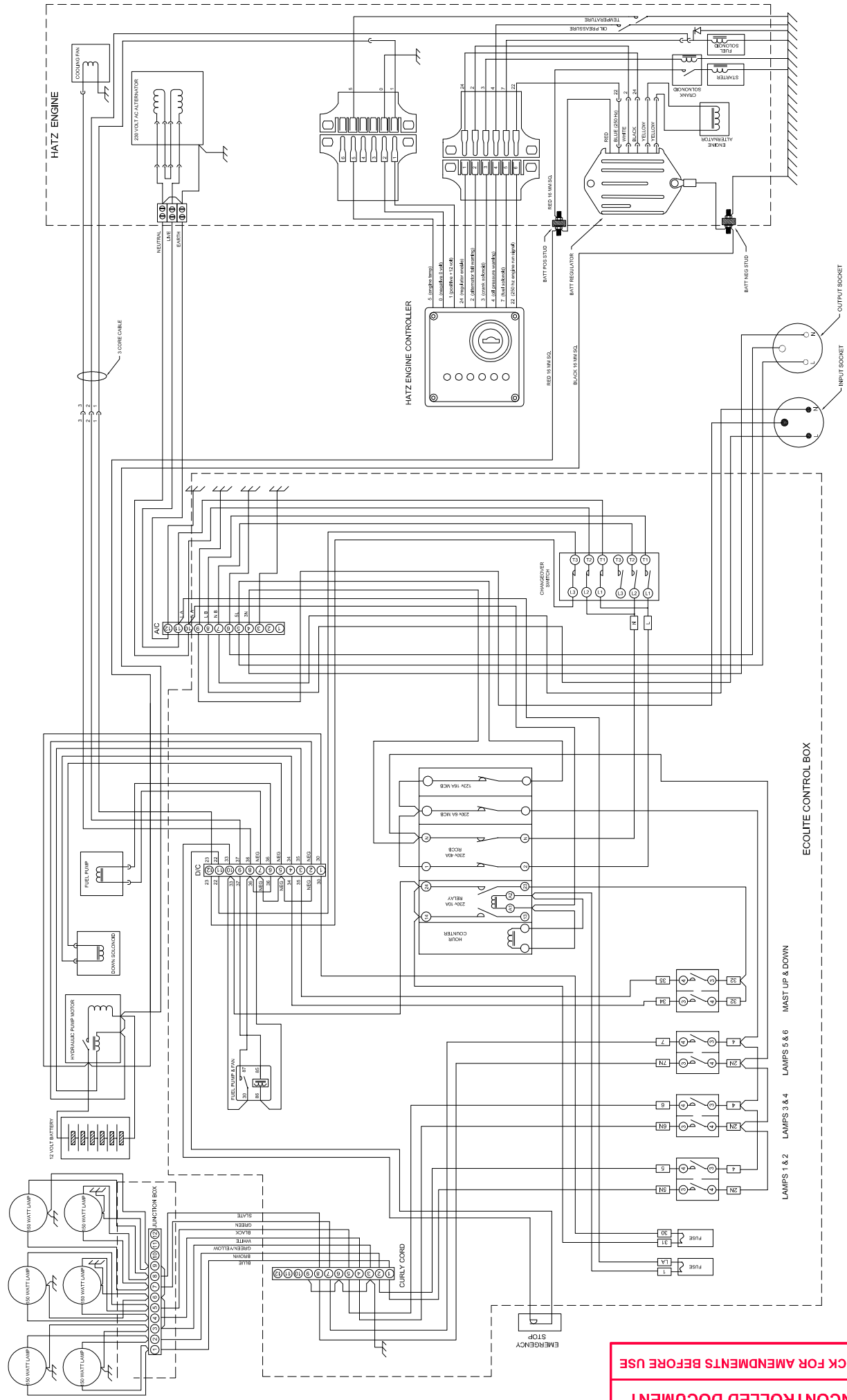
USED IN CONJUNCTION WITH TCP-4070-06 SD

ISS	DESCRIPTION	CHK'D	DATE	ISS	DESCRIPTION	CHK'D	DATE
B	SEE DCA 00647		08/11				
A	INITIAL ISSUE		06/11				

TAYLOR CONSTRUCTION PLANT LTD.		TITLE: CABLE IDENTIFICATION AND TERMINATION, ECOLITE-T & P	
QUAYSIDE PARK, BATES ROAD, MILDON, ESSEX, CM9 5FA TEL+441621 850777 FAX+441621 843330 WWW.TCP.EU.COM	DRN LSV	CHK'D	APP'D
	DWG No. TCP-4070-05 WS	DATE	DATE
		Sht. 2 of 2	

THIS DRAWING IS THE PROPERTY OF TAYLOR CONSTRUCTION PLANT LTD. AND MUST NOT BE COPIED, REPRODUCED OR DISCLOSED EXCEPT AS AUTHORIZED IN WRITING BY TAYLOR CONSTRUCTION PLANT LTD. © 2009

TAYLOR CONSTRUCTION PLANT LTD. RESERVE THE RIGHT TO CHANGE PRODUCTS & SPECIFICATIONS WITHOUT PRIOR NOTICE.



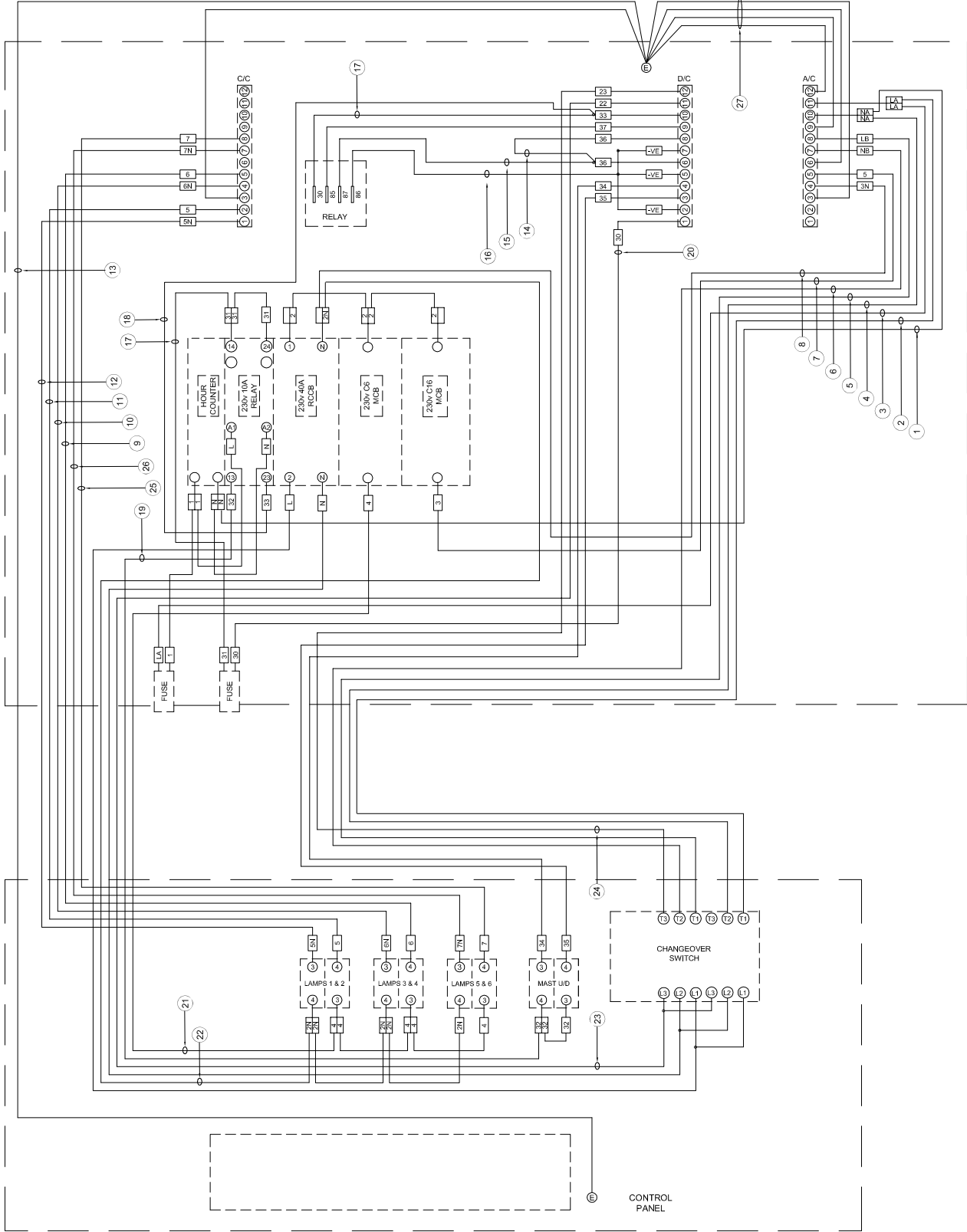
UNCONTROLLED DOCUMENT
CHECK FOR AMENDMENTS BEFORE USE

ISS	INITIAL ISSUE	DESCRIPTION	CHKD	DATE	ISS	DESCRIPTION	CHKD	DATE
A				08/11				
TAYLOR CONSTRUCTION PLANT LTD. QUAYSIDE PARK, BATES ROAD, MALDON, ESSEX, CM9 5FA TEL: +441621 650777 FAX: +441621 943330 WWW.TCP.EU.COM								
TITLE: SCHEMATIC, HATZ CONTROL			DRN	LSV	Sht. 1 of 1		H	
6 LAMP 230 V IN & OUT ECOLITE-T & P			CHKD				G	
DWG No. TCP-4070-06 SD			APPD				F	
			DATE	20.06.2011			E	

THIS DRAWING IS THE PROPERTY OF TAYLOR CONSTRUCTION PLANT LTD. AND MUST NOT BE COPIED, REPRODUCED OR DISCLOSED EXCEPT AS AUTHORISED IN WRITING BY TAYLOR CONSTRUCTION PLANT LTD. © 2009

TAYLOR CONSTRUCTION PLANT LTD. RESERVE THE RIGHT TO CHANGE PRODUCTS & SPECIFICATIONS WITHOUT PRIOR NOTICE.

DWG No. TCP-4070-06 WS



Item	Drwg No.	Strk. No.	Core Colours
1	2.5mm ² 1 CORE		BLUE
2	0.75mm ² 1 CORE		BROWN
3	2.5mm ² 1 CORE		BROWN
4	0.75mm ² 1 CORE		BLUE
5	2.5mm ² 1 CORE		BROWN
6	2.5mm ² 1 CORE		BLUE
7	2.5mm ² 1 CORE		BROWN
8	2.5mm ² 1 CORE		BLUE
9	1.5mm ² 1 CORE		BROWN
10	1.5mm ² 1 CORE		BLUE
11	1.5mm ² 1 CORE		BROWN
12	1.5mm ² 1 CORE		BLUE
13	2.5mm ² 1 CORE		YEL/GRN
14	1.0mm ² 1 CORE	70-0180	RED
15	1.0mm ² 1 CORE	70-0180	RED
16	1.0mm ² 1 CORE	70-0179	BLACK
17	2.0mm ² 1 CORE	70-0280	RED
18	2.0mm ² 1 CORE	70-0280	RED
19	2.0mm ² 1 CORE	70-0280	RED
20	2.0mm ² 1 CORE	70-0280	RED
21	1.5mm ² 1 CORE		BROWN
22	1.5mm ² 1 CORE		BLUE
23	2.0mm ² 1 CORE	70-0180	RED
24	2.0mm ² 1 CORE	70-0291	BLACK
25	1.5mm ² 1 CORE		BROWN
26	1.5mm ² 1 CORE		BLUE
27	2.5mm ² 1 CORE		YEL/GRN
28	2.5mm ² 3 CORE		GE/YE-BN-BU
29	2.5mm ² 3 CORE		GE/YE-BN-BU

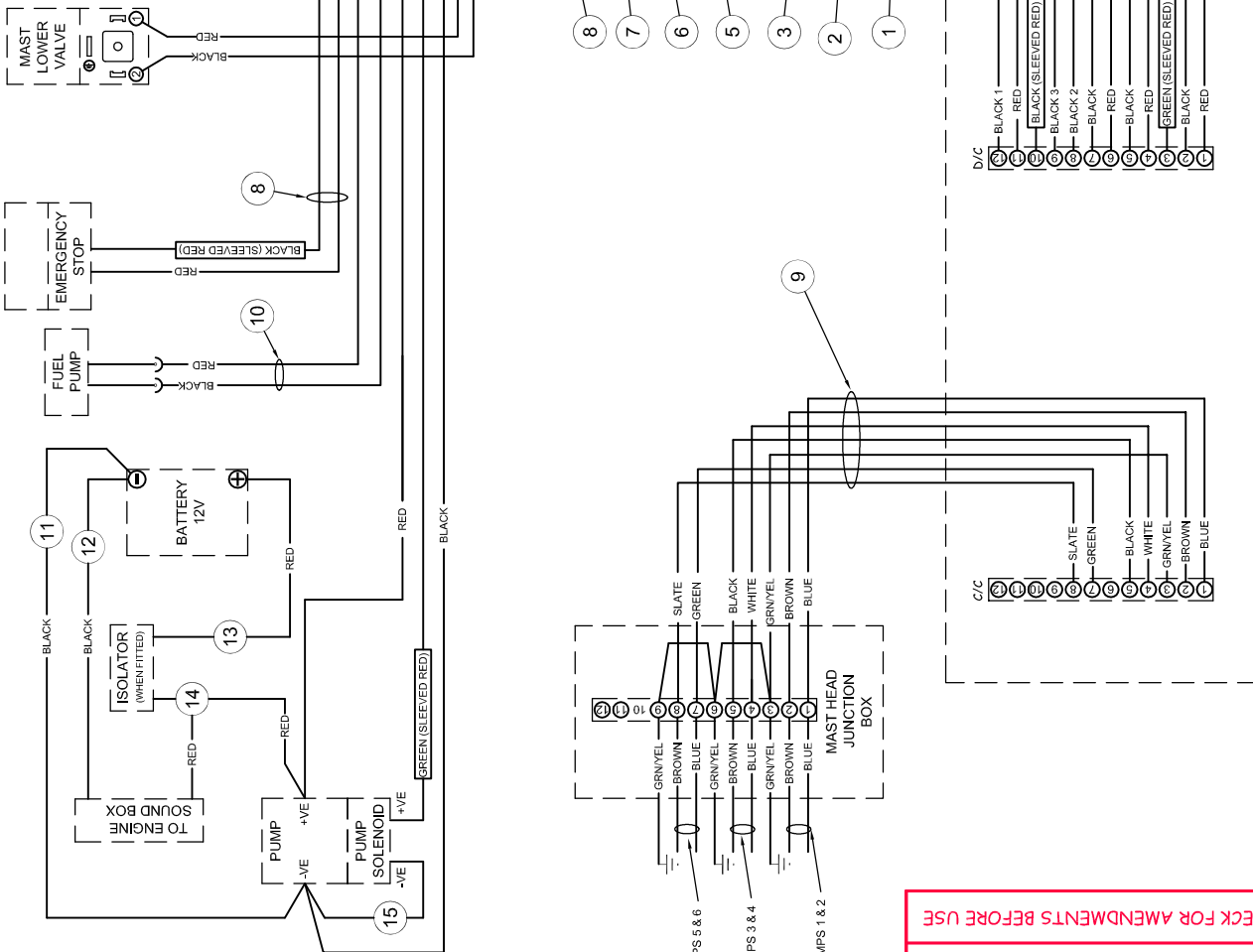
UNCONTROLLED DOCUMENT
CHECK FOR AMENDMENTS BEFORE USE

USED IN CONJUNCTION WITH TCP-4070-06 SD

ISS	DESCRIPTION	CHKD	DATE	ISS	DESCRIPTION	CHKD	DATE
B	SEE DCA 00647		08/11				
A	INITIAL ISSUE		08/11				

TAYLOR CONSTRUCTION PLANT LTD.		TITLE: CABLE IDENTIFICATION AND TERMINATION ECOLITE-T & P	
QUAYSIDE PARK, BATES ROAD, MALDON, ESSEX, CM9 5FA		DRN LSV	
TEL: 441621 650777 FAX: 441621 943330		CHKD	
WWW.TCP.EU.COM		APPD	
		DATE	
		20.06.2011	

DWG No.	TCP-4070-06 WS	Sht.	1 of 2
		H	



UNCONTROLLED DOCUMENT
CHECK FOR AMENDMENTS BEFORE USE

Item	Drwg No.	Stk. No.	Core Colours
1	2.5mm ² 3 CORE	71-0062	GE/YE-BN-BU
2	2.5mm ² 3 CORE	71-0062	GE/YE-BN-BU
3	2.5mm ² 3 CORE	71-0062	GE/YE-BN-BU
4			
5	2.5mm ² 3 CORE	71-0372	BK Numbered
6	1.5mm ² 2 CORE	71-0347	RD-BK
7**	2.5mm ² 3 CORE	71-0372	BK Numbered
8	2.5mm ² 2 CORE	71-0348	RD-BK
9	CURLY CORE	71-0273	MULTI COLOUR
10	1.5mm ² 2 CORE	71-0347	RD-BK
11	16mm ² 1 CORE	73-3073	BK
12	16mm ² 1 CORE	73-3071	BK
13	16mm ² 1 CORE	73-3070	RD
14	16mm ² 1 CORE	73-3072	RD
16	1.5mm ² 2 CORE	71-0347	RD-BK
17	1.5mm ² 2 CORE	71-0347	RD-BK
18	2.0mm ² 8 CORE		MULTI COLOUR

NOTE:
CABLE NO. 7 IS A SPECIAL SIGNAL CABLE.
i.e. THE 3 INNER CORES ARE BLACK & NUMBERED

USED IN CONJUNCTION WITH TCP-4070-06 SD

ISS	DESCRIPTION	CHK'D	DATE	ISS	DESCRIPTION	CHK'D	DATE
B	SEE DCA 00647		08/11				
A	INITIAL ISSUE		06/11				

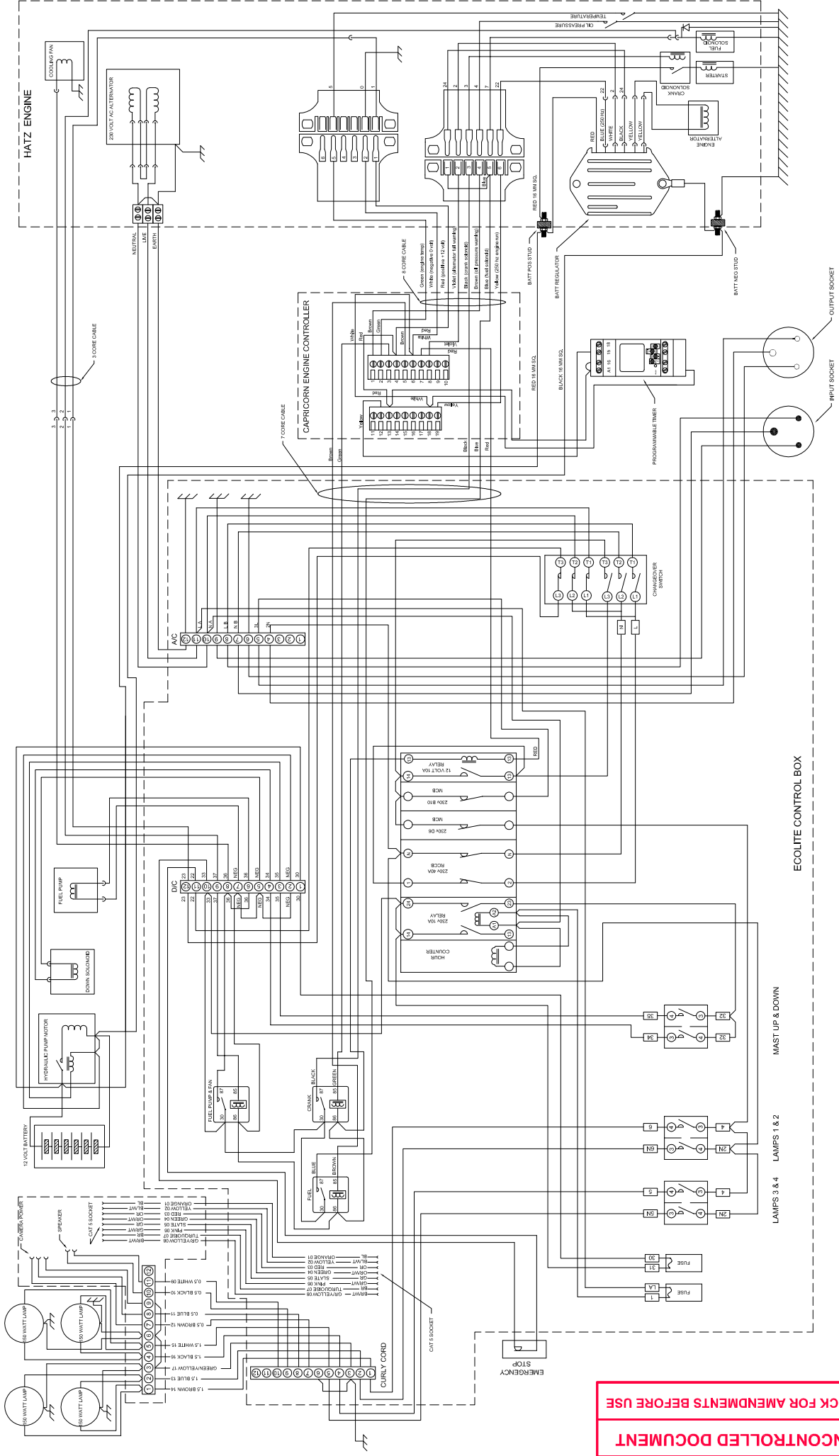
DRN	LSV	CHK'D	DATE
			20/06/2011

TITLE: CABLE IDENTIFICATION AND TERMINATION, ECOLITE-T & P	
DWG No. TCP-4070-06 WS	Shr. 2 of 2

TAYLOR CONSTRUCTION PLANT LTD.
QUAYSIDE PARK, BATES ROAD,
MILDON, ESSEX, CM9 5FA
TEL+441621 850777 FAX+441621 843330
WWW.TCP.EU.COM

THIS DRAWING IS THE PROPERTY OF TAYLOR CONSTRUCTION PLANT LTD. AND MUST NOT BE COPIED, REPRODUCED OR DISCLOSED EXCEPT AS AUTHORISED IN WRITING BY TAYLOR CONSTRUCTION PLANT LTD. © 2009

TAYLOR CONSTRUCTION PLANT LTD. RESERVE THE RIGHT TO CHANGE PRODUCTS & SPECIFICATIONS WITHOUT PRIOR NOTICE.



UNCONTROLLED DOCUMENT
CHECK FOR AMENDMENTS BEFORE USE

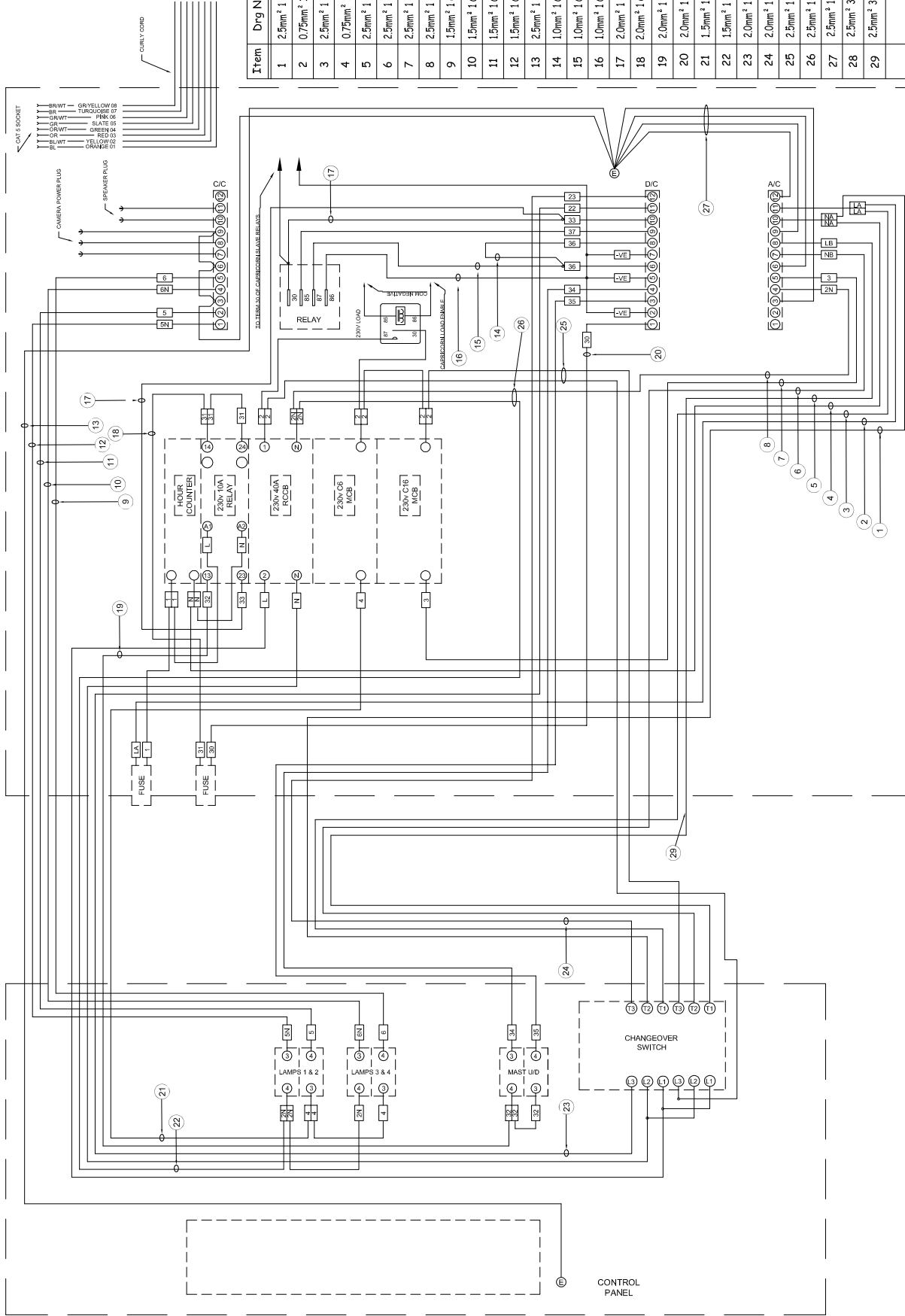
ISS	DESCRIPTION	CHKD	DATE	ISS	DESCRIPTION	CHKD	DATE
A	INITIAL ISSUE		05/11				

TAYLOR CONSTRUCTION PLANT LTD.		TITLE: SCHEMATIC, CAPRICORN CONTROL COMMS TOWER. ECOLITE P		DRN LSV	
QUAYSIDE PARK, BATES ROAD, MALDON, ESSEX, CM9 5FA		DWG No. TCP-4070-07 SD		CHKD	
TEL: +441621 650777 FAX: +441621 943330		Sht. 1 of 1		APPD	
WWW.TCP.EU.COM		DATE 17.05.2011			

THIS DRAWING IS THE PROPERTY OF TAYLOR CONSTRUCTION PLANT LTD. AND MUST NOT BE COPIED, REPRODUCED OR DISCLOSED EXCEPT AS AUTHORISED IN WRITING BY TAYLOR CONSTRUCTION PLANT LTD. © 2009

TAYLOR CONSTRUCTION PLANT LTD. RESERVE THE RIGHT TO CHANGE PRODUCTS & SPECIFICATIONS WITHOUT PRIOR NOTICE.

DWG No. TCP-4070-07 WS



UNCONTROLLED DOCUMENT
CHECK FOR AMENDMENTS BEFORE USE

Item	Drwg No.	Strk. No.	Core Colours
1	2.5mm ² 1 CORE		BLUE
2	0.75mm ² 1 CORE		BROWN
3	2.5mm ² 1 CORE		BROWN
4	0.75mm ² 1 CORE		BLUE
5	2.5mm ² 1 CORE		BROWN
6	2.5mm ² 1 CORE		BLUE
7	2.5mm ² 1 CORE		BROWN
8	2.5mm ² 1 CORE		BLUE
9	1.5mm ² 1 CORE		BROWN
10	1.5mm ² 1 CORE		BLUE
11	1.5mm ² 1 CORE		BROWN
12	1.5mm ² 1 CORE		BLUE
13	2.5mm ² 1 CORE		YEL/GRN
14	1.0mm ² 1 CORE	70-0180	RED
15	1.0mm ² 1 CORE	70-0180	RED
16	1.0mm ² 1 CORE	70-0179	BLACK
17	2.0mm ² 1 CORE	70-0280	RED
18	2.0mm ² 1 CORE	70-0280	RED
19	2.0mm ² 1 CORE	70-0280	RED
20	2.0mm ² 1 CORE	70-0280	RED
21	1.5mm ² 1 CORE		BROWN
22	1.5mm ² 1 CORE		BLUE
23	2.0mm ² 1 CORE	70-0180	RED
24	2.0mm ² 1 CORE	70-0291	BLACK
25	2.5mm ² 1 CORE		BROWN
26	2.5mm ² 1 CORE		BLUE
27	2.5mm ² 1 CORE		YEL/GRN
28	2.5mm ² 3 CORE		GE/YE-BN-BU
29	2.5mm ² 3 CORE		GE/YE-BN-BU

USED IN CONJUNCTION WITH TCP-4070-07 SD

TITLE: CABLE IDENTIFICATION AND TERMINATION ECOLITE-P

TAYLOR CONSTRUCTION PLANT LTD.
QUAYSIDE PARK, BATES ROAD,
MALDON, ESSEX, CM9 5FA
TEL+441621 650777 FAX+441621 943330
WWW.TCP.EU.COM

DRN LSV
CHKD
APPD
DATE
21.06.2011

DWG No. TCP-4070-07 WS

Sht. 1 of 2

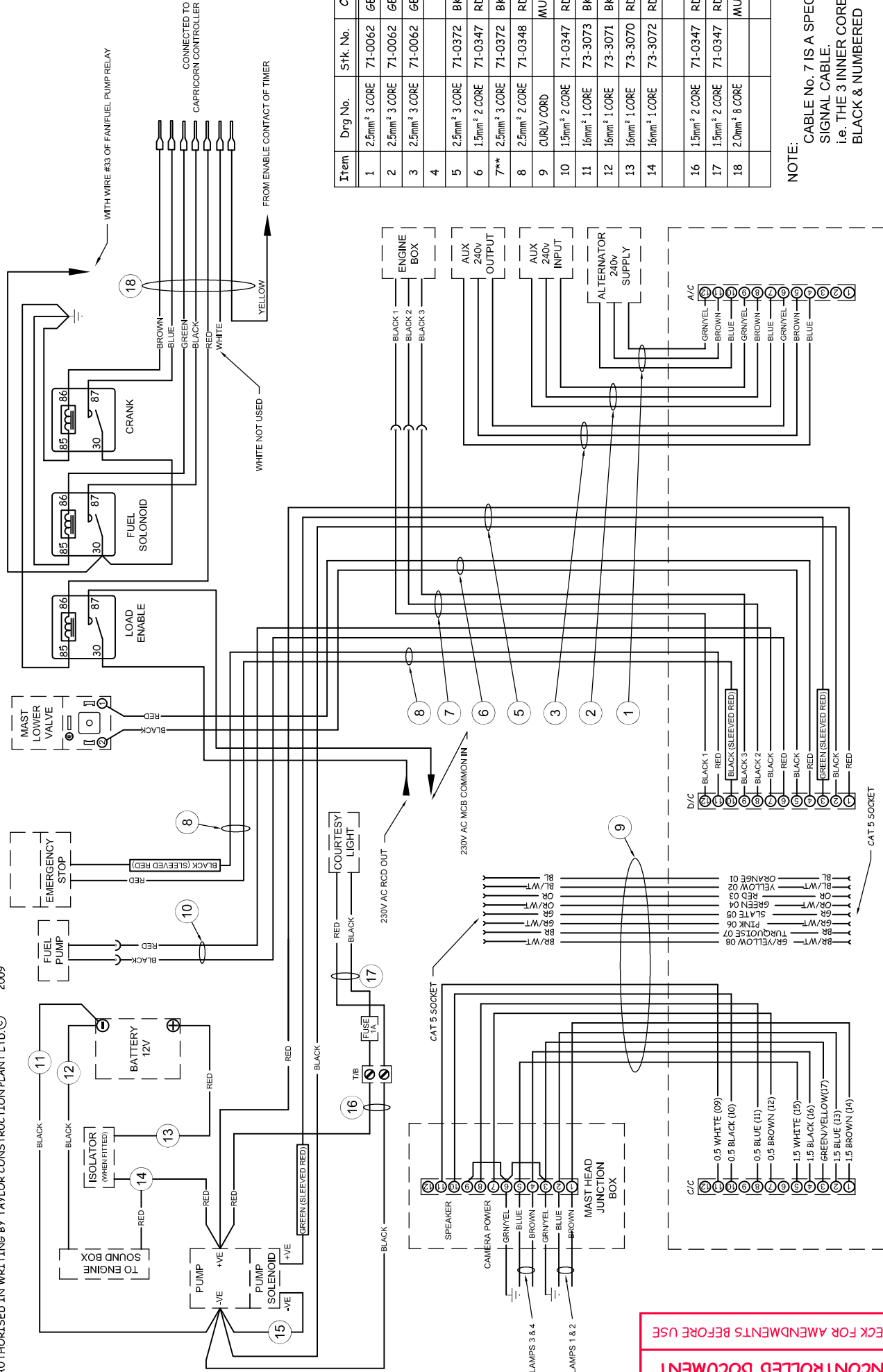
ISS	DESCRIPTION	CHKD	DATE	ISS	DESCRIPTION	CHKD	DATE
B	SEE DCA 00647		08/11				
A	INITIAL ISSUE		08/11				

THIS DRAWING IS THE PROPERTY OF TAYLOR CONSTRUCTION PLANT LTD. AND MUST NOT BE COPIED, REPRODUCED OR DISCLOSED EXCEPT AS AUTHORISED IN WRITING BY TAYLOR CONSTRUCTION PLANT LTD. ©

2009

TAYLOR CONSTRUCTION PLANT LTD. RESERVE THE RIGHT TO CHANGE PRODUCTS & SPECIFICATIONS WITHOUT PRIOR NOTICE.

DWG No. TCP-4070-07 WS



UNCONTROLLED DOCUMENT
CHECK FOR AMENDMENTS BEFORE USE

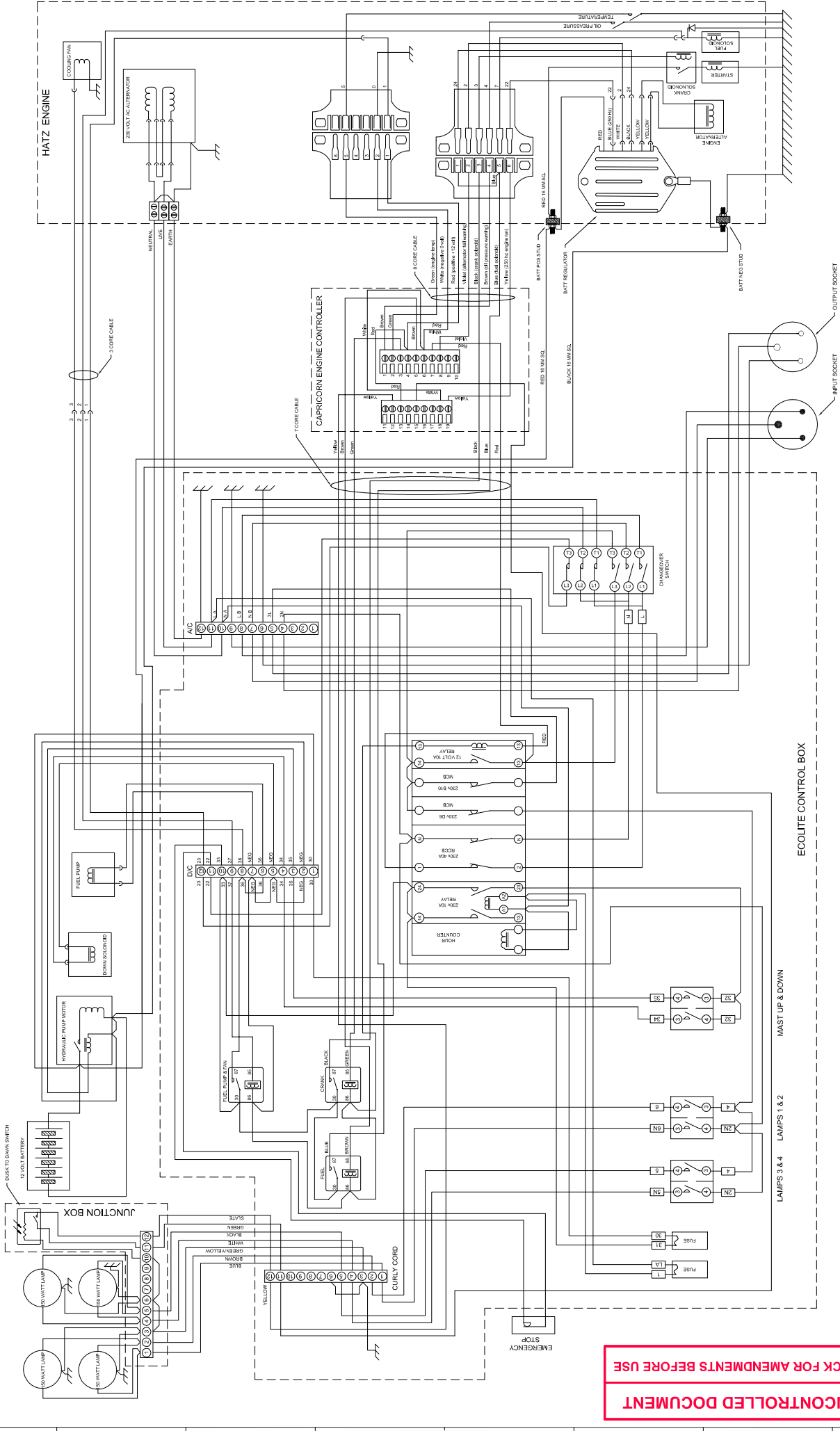
Item	Drwg No.	Stk. No.	Core Colours
1	2.5mm ² 3 CORE	71-0062	GE/YE-BN-BU
2	2.5mm ² 3 CORE	71-0062	GE/YE-BN-BU
3	2.5mm ² 3 CORE	71-0062	GE/YE-BN-BU
4			
5	2.5mm ² 3 CORE	71-0372	BK Numbered
6	1.5mm ² 2 CORE	71-0347	RD-BK
7**	2.5mm ² 3 CORE	71-0372	BK Numbered
8	2.5mm ² 2 CORE	71-0348	RD-BK
9	CURLY CORD		MULTI COLOUR
10	1.5mm ² 2 CORE	71-0347	RD-BK
11	16mm ² 1 CORE	73-3073	BK
12	16mm ² 1 CORE	73-3071	BK
13	16mm ² 1 CORE	73-3070	RD
14	16mm ² 1 CORE	73-3072	RD
16	1.5mm ² 2 CORE	71-0347	RD-BK
17	1.5mm ² 2 CORE	71-0347	RD-BK
18	2.0mm ² 8 CORE		MULTI COLOUR

NOTE:
CABLE NO. 7 IS A SPECIAL SIGNAL CABLE.
i.e. THE 3 INNER CORES ARE BLACK & NUMBERED

USED IN CONJUNCTION WITH TCP-4070-07 SD

ISS		DESCRIPTION		CHK'D		DATE		ISS		DESCRIPTION		CHK'D		DATE	
B	SEE DCA 00647														
A	INITIAL ISSUE														

TAYLOR CONSTRUCTION PLANT LTD.		TITLE: CABLE IDENTIFICATION AND TERMINATION, ECOLITE-P		DRN		LSV	
QUAYSIDE PARK, BATES ROAD, MALDON, ESSEX, CM9 5FA				CHK'D			
TEL+441621 850777 FAX+441621 843330				APP'D			
WWW.TCP.EU.COM				DATE		20.06.2011	
				DWG No.		TCP-4070-07 WS	
				Sht. 2 of 2			

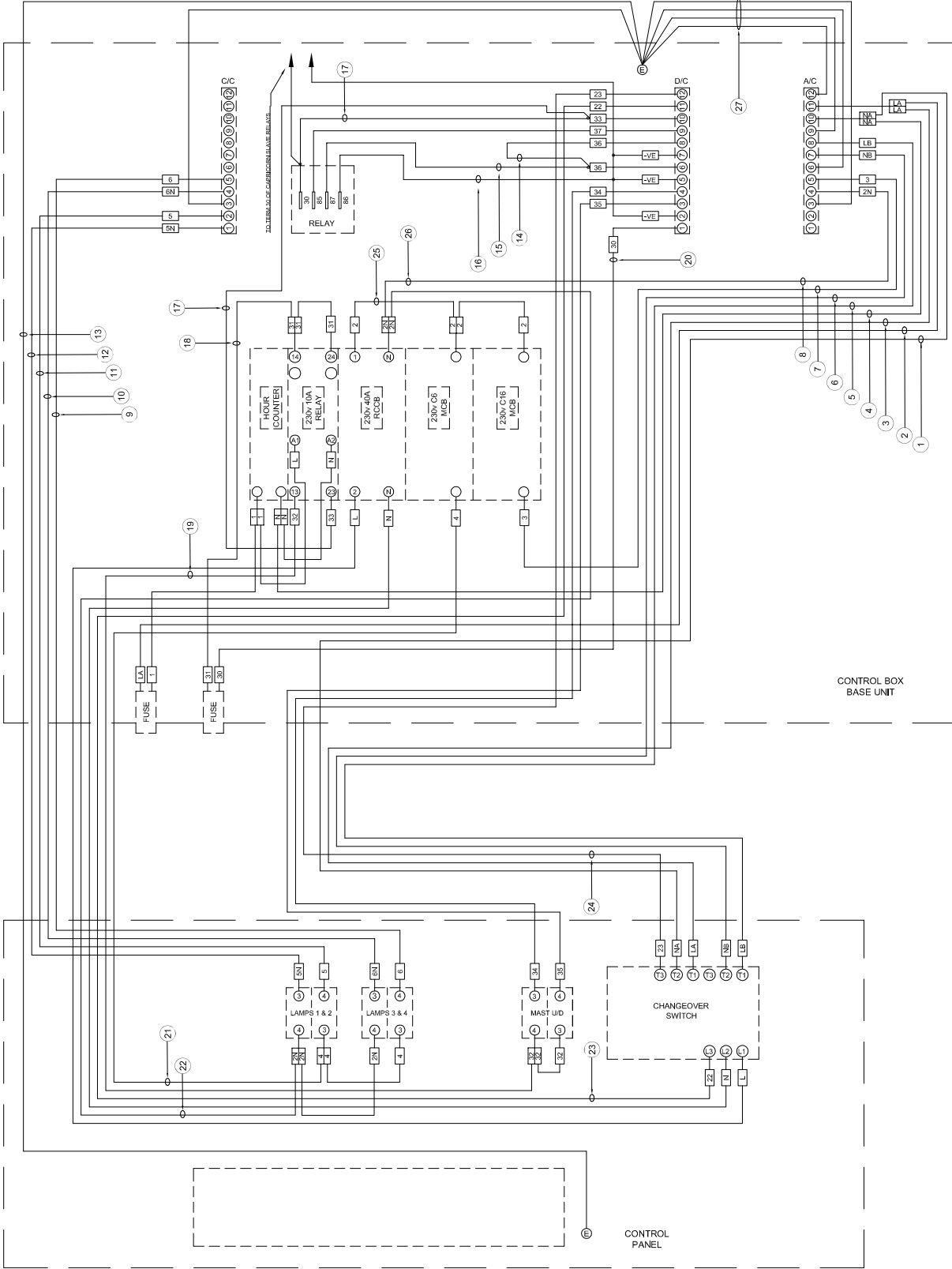


UNCONTROLLED DOCUMENT
CHECK FOR AMENDMENTS BEFORE USE

ISS	DESCRIPTION	CHKD	DATE	ISS	DATE	DESCRIPTION	CHKD	DATE
A	INITIAL ISSUE		05/11					

TAYLOR CONSTRUCTION PLANT LTD. QUAYSIDE PARK, BATES ROAD, MALDON, ESSEX, CM6 5FA TEL: +44 1621 650777 FAX: +44 1627 943330 WWW.TCP.EU.COM	TITLE: SCHEMATIC, CAPRICORN CONTROL 230 VOLT IN / OUT. ECOLITE-T & P
DWG No. TCP-4070-08 SD	Sht. 1 of 1

DRN LSV	CHKD	APPD	DATE
			17.05.2011



Item	Drwg No.	Strk. No.	Core Colours
1	2.5mm ² 1 CORE		BLUE
2	0.75mm ² 1 CORE		BROWN
3	2.5mm ² 1 CORE		BROWN
4	0.75mm ² 1 CORE		BLUE
5	2.5mm ² 1 CORE		BROWN
6	2.5mm ² 1 CORE		BLUE
7	2.5mm ² 1 CORE		BROWN
8	2.5mm ² 1 CORE		BLUE
9	1.5mm ² 1 CORE		BROWN
10	1.5mm ² 1 CORE		BLUE
11	1.5mm ² 1 CORE		BROWN
12	1.5mm ² 1 CORE		BLUE
13	2.5mm ² 1 CORE		YEL/GRN
14	1.0mm ² 1 CORE	70-0180	RED
15	1.0mm ² 1 CORE	70-0180	RED
16	1.0mm ² 1 CORE	70-0179	BLACK
17	2.0mm ² 1 CORE	70-0280	RED
18	2.0mm ² 1 CORE	70-0280	RED
19	2.0mm ² 1 CORE	70-0280	RED
20	2.0mm ² 1 CORE	70-0280	RED
21	1.5mm ² 1 CORE		BROWN
22	1.5mm ² 1 CORE		BLUE
23	2.0mm ² 1 CORE	70-0180	RED
24	2.0mm ² 1 CORE	70-0291	BLACK
25	2.5mm ² 1 CORE		BROWN
26	2.5mm ² 1 CORE		BLUE
27	2.5mm ² 1 CORE		YEL/GRN

UNCONTROLLED DOCUMENT
CHECK FOR AMENDMENTS BEFORE USE

USED IN CONJUNCTION WITH TCP-4070-08 SD

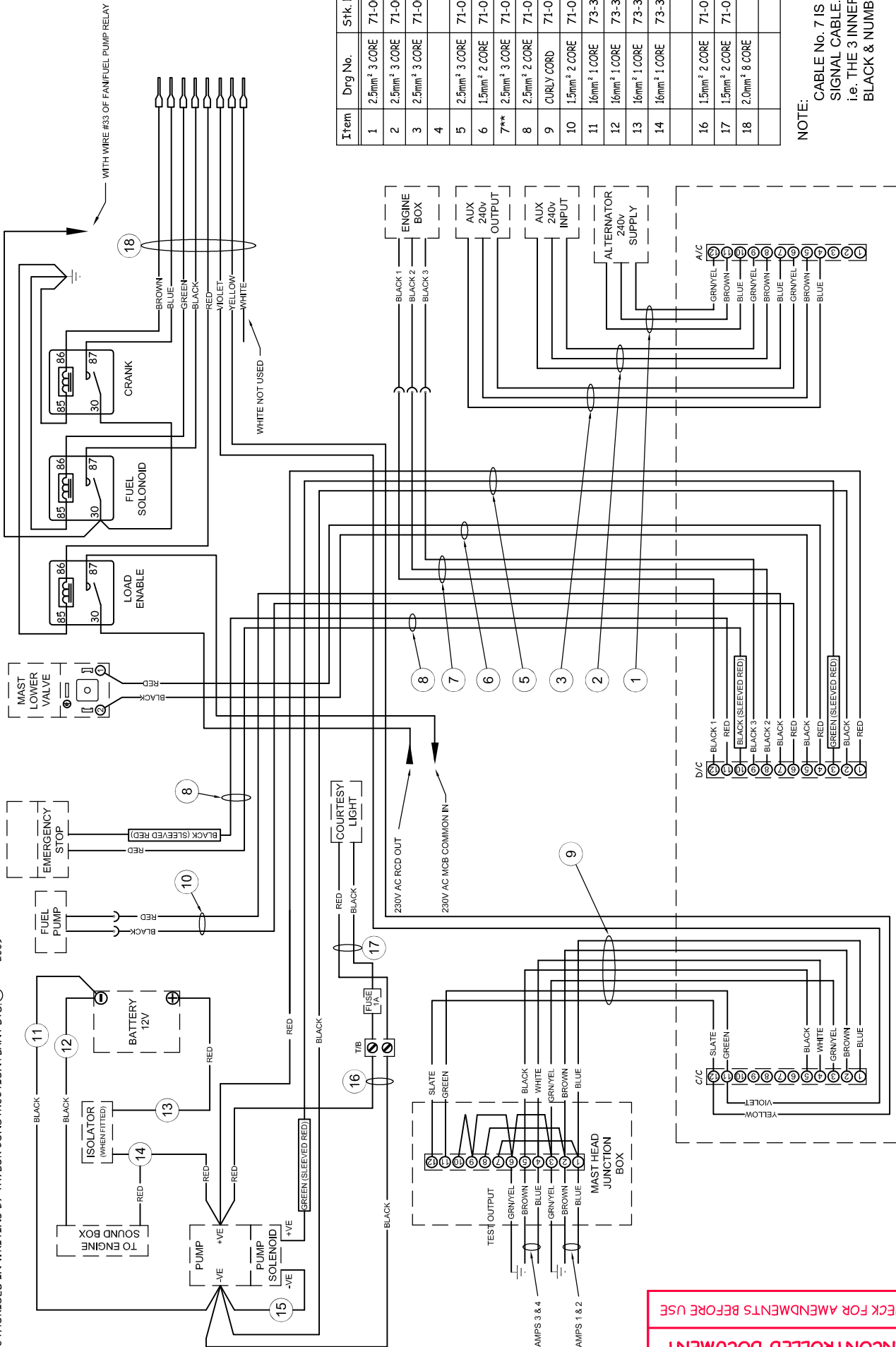
ISS	DESCRIPTION	CHKD	DATE	ISS	DESCRIPTION	CHKD	DATE
B	SEE DCA 00647		08/11				
A	INITIAL ISSUE		05/11				

TAYLOR CONSTRUCTION PLANT LTD.		TAYLOR CONSTRUCTION PLANT LTD.	
QUAYSIDE PARK, BATES ROAD, MALDON, ESSEX, CM9 5FA		CABLE IDENTIFICATION AND TERMINATION ECOLITE-T & P	
TEL: +441621 650777 FAX: +441621 943330		DWG No. TCP-4070-08 WS	
WWW.TCP.EU.COM		Sht. 1 of 2	
		DRN LSV	
		CHKD	
		APPD	
		DATE	
		17.05.2011	

THIS DRAWING IS THE PROPERTY OF TAYLOR CONSTRUCTION PLANT LTD. AND MUST NOT BE COPIED, REPRODUCED OR DISCLOSED EXCEPT AS AUTHORISED IN WRITING BY TAYLOR CONSTRUCTION PLANT LTD. ©

2009

TAYLOR CONSTRUCTION PLANT LTD. RESERVE THE RIGHT TO CHANGE PRODUCTS & SPECIFICATIONS WITHOUT PRIOR NOTICE.



UNCONTROLLED DOCUMENT
CHECK FOR AMENDMENTS BEFORE USE

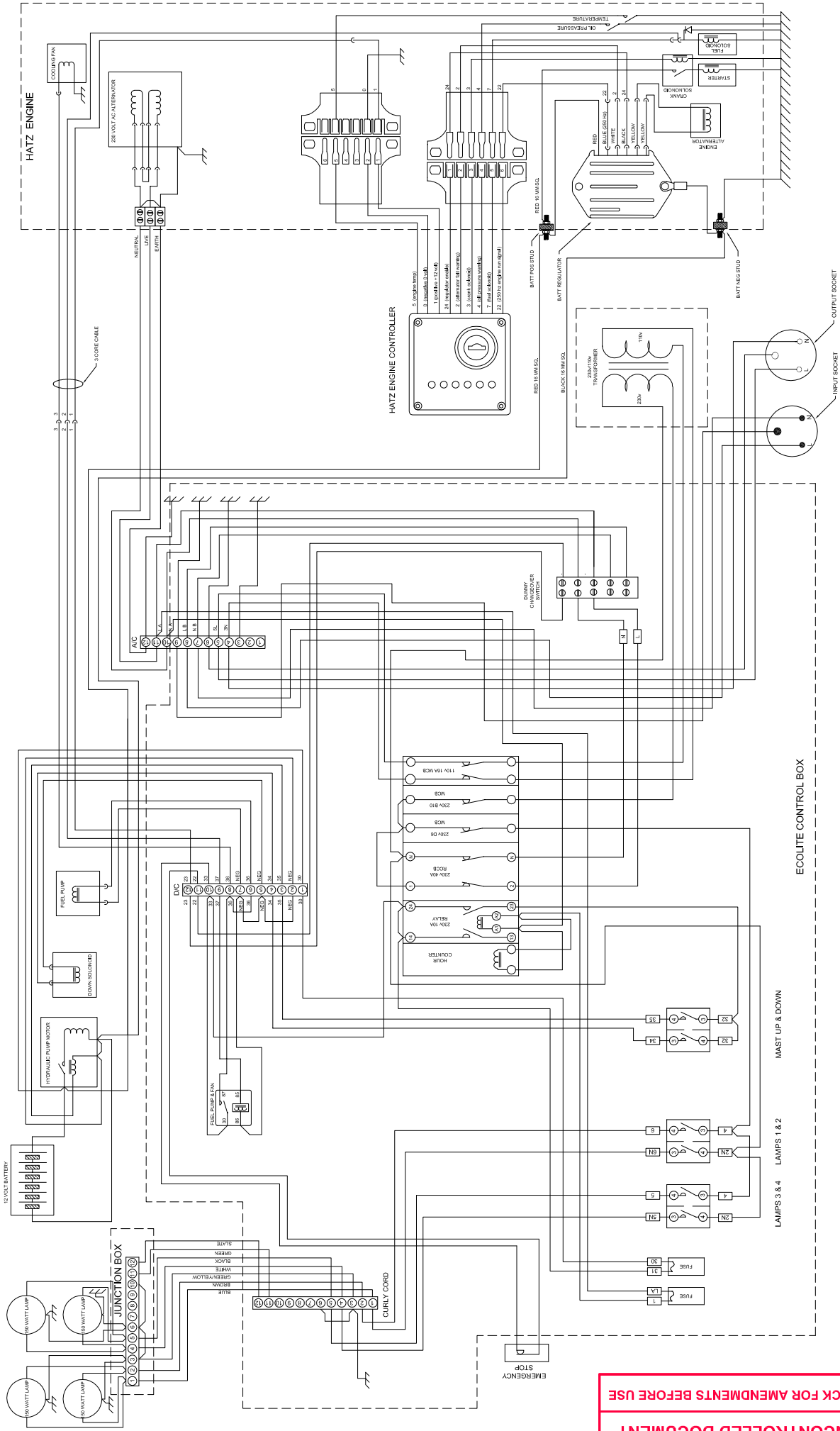
Item	Drwg No.	Stk. No.	Core Colours
1	2.5mm ² 3 CORE	71-0062	GE/YE-BN-BU
2	2.5mm ² 3 CORE	71-0062	GE/YE-BN-BU
3	2.5mm ² 3 CORE	71-0062	GE/YE-BN-BU
4			
5	2.5mm ² 3 CORE	71-0372	BK Numbered
6	1.5mm ² 2 CORE	71-0347	RD-BK
7**	2.5mm ² 3 CORE	71-0372	BK Numbered
8	2.5mm ² 2 CORE	71-0348	RD-BK
9	CURLY CORD	71-0273	MULTI COLOUR
10	1.5mm ² 2 CORE	71-0347	RD-BK
11	16mm ² 1 CORE	73-3073	BK
12	16mm ² 1 CORE	73-3071	BK
13	16mm ² 1 CORE	73-3070	RD
14	16mm ² 1 CORE	73-3072	RD
16	1.5mm ² 2 CORE	71-0347	RD-BK
17	1.5mm ² 2 CORE	71-0347	RD-BK
18	2.0mm ² 8 CORE		MULTI COLOUR

NOTE:
CABLE NO. 7 IS A SPECIAL SIGNAL CABLE.
i.e. THE 3 INNER CORES ARE BLACK & NUMBERED

USED IN CONJUNCTION WITH TCP-4070-08 SD

ISS		DESCRIPTION		CHK'D		DATE		ISS		DESCRIPTION		CHK'D		DATE	
B	SEE DCA 00647						08/11								
A	INITIAL ISSUE						05/11								

TAYLOR CONSTRUCTION PLANT LTD.		TITLE: CABLE IDENTIFICATION AND TERMINATION, ECOLITE-T & P		DRN		LSV	
QUAYSIDE PARK, BATES ROAD, MILDON, ESSEX, CM9 5FA TEL+441621 850777 FAX+441621 843330 WWW.TCP.EU.COM				CHK'D		APP'D	
		DWG No. TCP-4070-08 WS		Shrt. 2 of 2		DATE	
						17.05.2011	

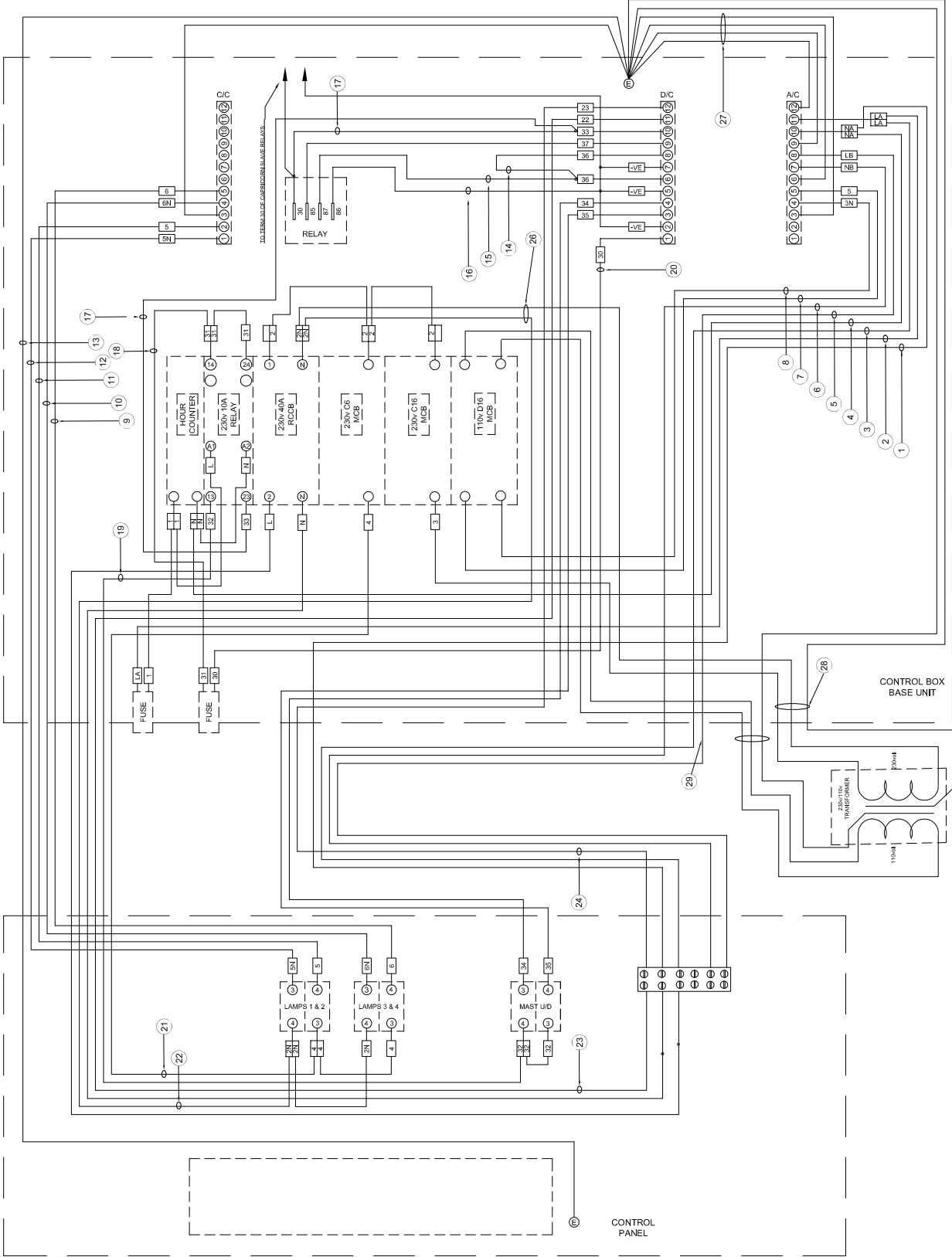


UNCONTROLLED DOCUMENT
CHECK FOR AMENDMENTS BEFORE USE

ISS	DESCRIPTION	CHKD	DATE	ISS	DATE	DESCRIPTION	CHKD	DATE
A	INITIAL ISSUE		08/11					

TAYLOR CONSTRUCTION PLANT LTD. QUAYSIDE PARK, BATES ROAD, MALDON, ESSEX, CM6 5FA TEL+441621 650777 FAX+441621 943330 WWW.TCP.EU.COM	TITLE: SCHEMATIC, HATZ CONTROL 110 V OUT. ECOLITE-T & P DWG No. TCP-4070-09 SD Sht. 1 of 1
---	---

DRN	LSV	CHKD	APPD	DATE
				17.06.2011



Item	Drwg No.	Strk. No.	Core Colours
1	2.5mm ² 1 CORE		BLUE
2	0.75mm ² 1 CORE		BROWN
3	2.5mm ² 1 CORE		BROWN
4	0.75mm ² 1 CORE		BLUE
5	2.5mm ² 1 CORE		BROWN
6	2.5mm ² 1 CORE		BLUE
7	2.5mm ² 1 CORE		BROWN
8	2.5mm ² 1 CORE		BLUE
9	1.5mm ² 1 CORE		BROWN
10	1.5mm ² 1 CORE		BLUE
11	1.5mm ² 1 CORE		BROWN
12	1.5mm ² 1 CORE		BLUE
13	2.5mm ² 1 CORE		YEL/GRN
14	1.0mm ² 1 CORE	70-0180	RED
15	1.0mm ² 1 CORE	70-0180	RED
16	1.0mm ² 1 CORE	70-0179	BLACK
17	2.0mm ² 1 CORE	70-0280	RED
18	2.0mm ² 1 CORE	70-0280	RED
19	2.0mm ² 1 CORE	70-0280	RED
20	2.0mm ² 1 CORE	70-0280	RED
21	1.5mm ² 1 CORE		BROWN
22	1.5mm ² 1 CORE		BLUE
23	2.0mm ² 1 CORE	70-0180	RED
24	2.0mm ² 1 CORE	70-0291	BLACK
25			
26	2.5mm ² 1 CORE		BLUE
27	2.5mm ² 1 CORE		YEL/GRN
28	2.5mm ² 3 CORE		GE/YE-BN-BU
29	2.5mm ² 3 CORE		GE/YE-BN-BU

UNCONTROLLED DOCUMENT
CHECK FOR AMENDMENTS BEFORE USE

USED IN CONJUNCTION WITH TCP-4070-09 SD

TITLE: CABLE IDENTIFICATION AND TERMINATION ECOLITE-T & P

TAYLOR CONSTRUCTION PLANT LTD.
QUAYSIDE PARK, BATES ROAD,
MALDON, ESSEX, CM9 5FA
TEL: 441621 650777 FAX: 441621 943330
WWW.TCP.EU.COM

ISS	DESCRIPTION	CHKD	DATE	ISS	DESCRIPTION	CHKD	DATE
B	SEE DCA 00647		08/11				
A	INITIAL ISSUE		08/11				

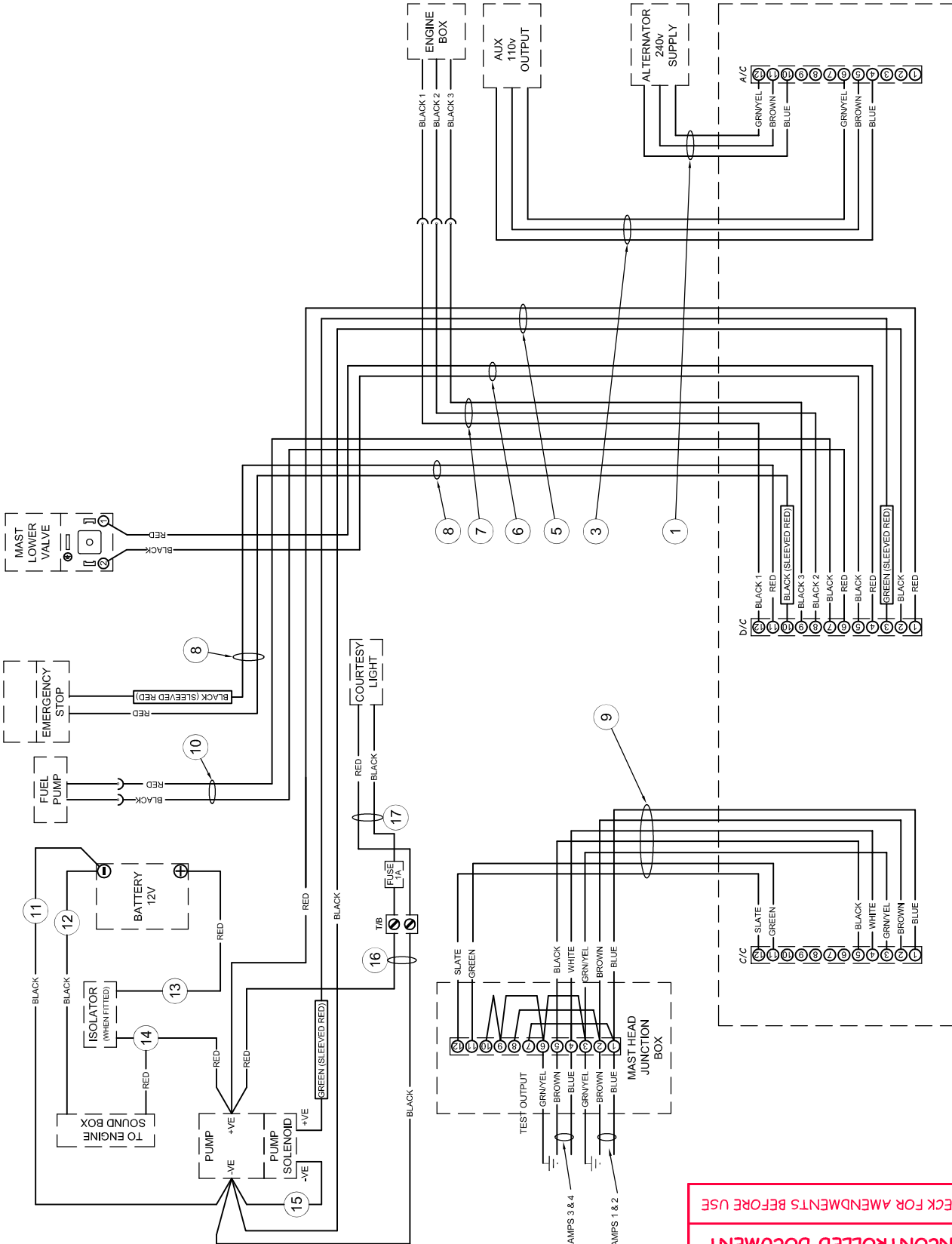
DWG No. TCP-4070-09 WS Sht. 1 of 2 DATE 17.06.2011

DRN LSV
CHKD
APPD

THIS DRAWING IS THE PROPERTY OF TAYLOR CONSTRUCTION PLANT LTD. AND MUST NOT BE COPIED, REPRODUCED OR DISCLOSED EXCEPT AS AUTHORISED IN WRITING BY TAYLOR CONSTRUCTION PLANT LTD. ©

2009

TAYLOR CONSTRUCTION PLANT LTD. RESERVE THE RIGHT TO CHANGE PRODUCTS & SPECIFICATIONS WITHOUT PRIOR NOTICE.



UNCONTROLLED DOCUMENT
CHECK FOR AMENDMENTS BEFORE USE

Item	Drwg No.	Stk. No.	Core Colours
1	2.5mm ² 3 CORE	71-0062	GE/YE-BN-BU
2	2.5mm ² 3 CORE	YELLOW	GE/YE-BN-BU
3	2.5mm ² 3 CORE	71-0372	BK Numbered
4	2.5mm ² 3 CORE	71-0347	RD-BK
5	2.5mm ² 3 CORE	71-0372	BK Numbered
6	2.5mm ² 3 CORE	71-0348	RD-BK
7**	2.5mm ² 3 CORE	71-0273	MULTI COLOUR
8	2.5mm ² 3 CORE	71-0347	RD-BK
9	1.5mm ² 2 CORE	73-3073	BK
10	1.5mm ² 2 CORE	73-3071	BK
11	1.5mm ² 2 CORE	73-3070	RD
12	1.5mm ² 2 CORE	73-3072	RD
13	1.5mm ² 2 CORE	71-0347	RD-BK
14	1.5mm ² 2 CORE	71-0347	RD-BK
15	2.0mm ² 8 CORE		MULTI COLOUR

NOTE:
CABLE NO. 7 IS A SPECIAL SIGNAL CABLE.
i.e. THE 3 INNER CORES ARE BLACK & NUMBERED

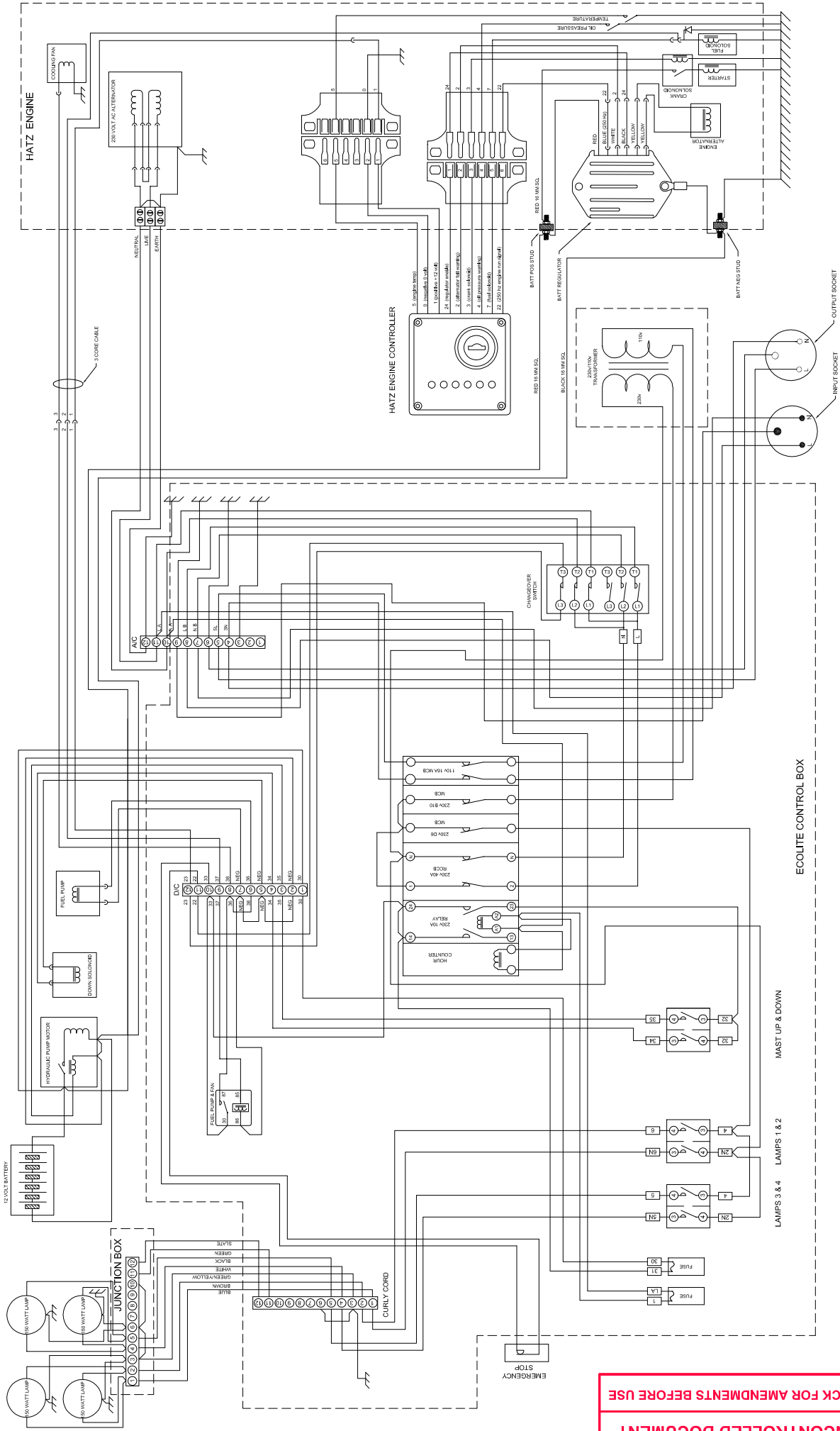
USED IN CONJUNCTION WITH TCP-4070-10 SD

TAYLOR CONSTRUCTION PLANT LTD. QUAYSIDE PARK, BATES ROAD, MILDON, ESSEX, CM9 5FA TEL+441621 850777 FAX+441621 843330 WWW.TCP.EU.COM		TITLE: CABLE IDENTIFICATION AND TERMINATION, ECOLITE-T & P		DRN LSV
TAYLOR CONSTRUCTION PLANT LTD. ©		DWG No. TCP-4070-09 WS		CHK'D
2009		Sht. 2 of 2		APP'D
THIS DRAWING IS THE PROPERTY OF TAYLOR CONSTRUCTION PLANT LTD. AND MUST NOT BE COPIED, REPRODUCED OR DISCLOSED EXCEPT AS AUTHORISED IN WRITING BY TAYLOR CONSTRUCTION PLANT LTD. ©		DATE		DATE
ISS	DESCRIPTION	CHK'D	DATE	ISS
B	SEE DCA 00647		08/11	
A	INITIAL ISSUE		06/11	

THIS DRAWING IS THE PROPERTY OF TAYLOR CONSTRUCTION PLANT LTD. AND MUST NOT BE COPIED, REPRODUCED OR DISCLOSED EXCEPT AS AUTHORISED IN WRITING BY TAYLOR CONSTRUCTION PLANT LTD. © 2009

TAYLOR CONSTRUCTION PLANT LTD. RESERVE THE RIGHT TO CHANGE PRODUCTS & SPECIFICATIONS WITHOUT PRIOR NOTICE.

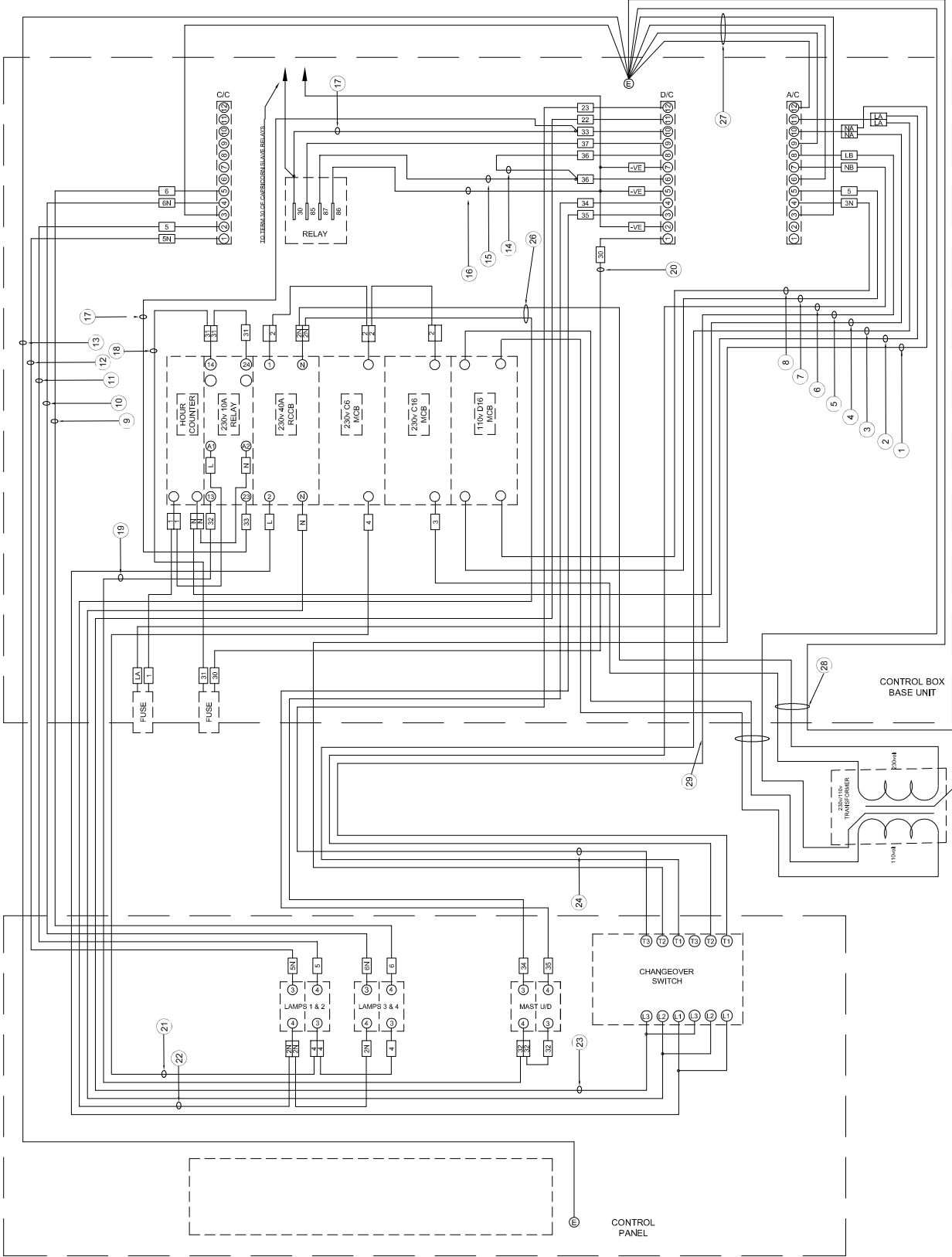
DWG No. TCP-4070-10 SD



UNCONTROLLED DOCUMENT
CHECK FOR AMENDMENTS BEFORE USE

ISS	DESCRIPTION	CHKD	DATE	ISS	DATE	DESCRIPTION	CHKD	DATE
A	INITIAL ISSUE		08/11					

TITLE: SCHEMATIC, HATZ CONTROL 230 V IN / 110 V OUT. ECOLITE-T & P	DRN LSV CHKD APPD
DWG No. TCP-4070-10 SD	Sht. 1 of 1



Item	Drwg No.	Strk. No.	Core Colours
1	2.5mm ² 1 CORE		BLUE
2	0.75mm ² 1 CORE		BROWN
3	2.5mm ² 1 CORE		BROWN
4	0.75mm ² 1 CORE		BLUE
5	2.5mm ² 1 CORE		BROWN
6	2.5mm ² 1 CORE		BLUE
7	2.5mm ² 1 CORE		BROWN
8	2.5mm ² 1 CORE		BLUE
9	1.5mm ² 1 CORE		BROWN
10	1.5mm ² 1 CORE		BLUE
11	1.5mm ² 1 CORE		BROWN
12	1.5mm ² 1 CORE		BLUE
13	2.5mm ² 1 CORE		YEL/GRN
14	1.0mm ² 1 CORE	70-0180	RED
15	1.0mm ² 1 CORE	70-0180	RED
16	1.0mm ² 1 CORE	70-0179	BLACK
17	2.0mm ² 1 CORE	70-0280	RED
18	2.0mm ² 1 CORE	70-0280	RED
19	2.0mm ² 1 CORE	70-0280	RED
20	2.0mm ² 1 CORE	70-0280	RED
21	1.5mm ² 1 CORE		BROWN
22	1.5mm ² 1 CORE		BLUE
23	2.0mm ² 1 CORE	70-0180	RED
24	2.0mm ² 1 CORE	70-0291	BLACK
25			
26	2.5mm ² 1 CORE		BLUE
27	2.5mm ² 1 CORE		YEL/GRN
28	2.5mm ² 3 CORE		GE/YE-BN-BU
29	2.5mm ² 3 CORE		GE/YE-BN-BU

UNCONTROLLED DOCUMENT
CHECK FOR AMENDMENTS BEFORE USE

USED IN CONJUNCTION WITH TCP-4070-10 SD

TITLE: CABLE IDENTIFICATION AND TERMINATION ECOLITE-T & P

TAYLOR CONSTRUCTION PLANT LTD.
QUAYSIDE PARK, BATES ROAD,
MALDON, ESSEX, CM9 5FA
TEL: 441621 650777 FAX: 441621 943330
WWW.TCP.EU.COM

ISS	DESCRIPTION	CHKD	DATE	ISS	DESCRIPTION	CHKD	DATE
B	SEE DCA 00647		08/11				
A	INITIAL ISSUE		08/11				

DRN LSV
CHKD
APPD
DATE
16.06.2011

DWG No. TCP-4070-10 WS

Sht. 1 of 2

Page 114

Page 114

Page 114

Page 114

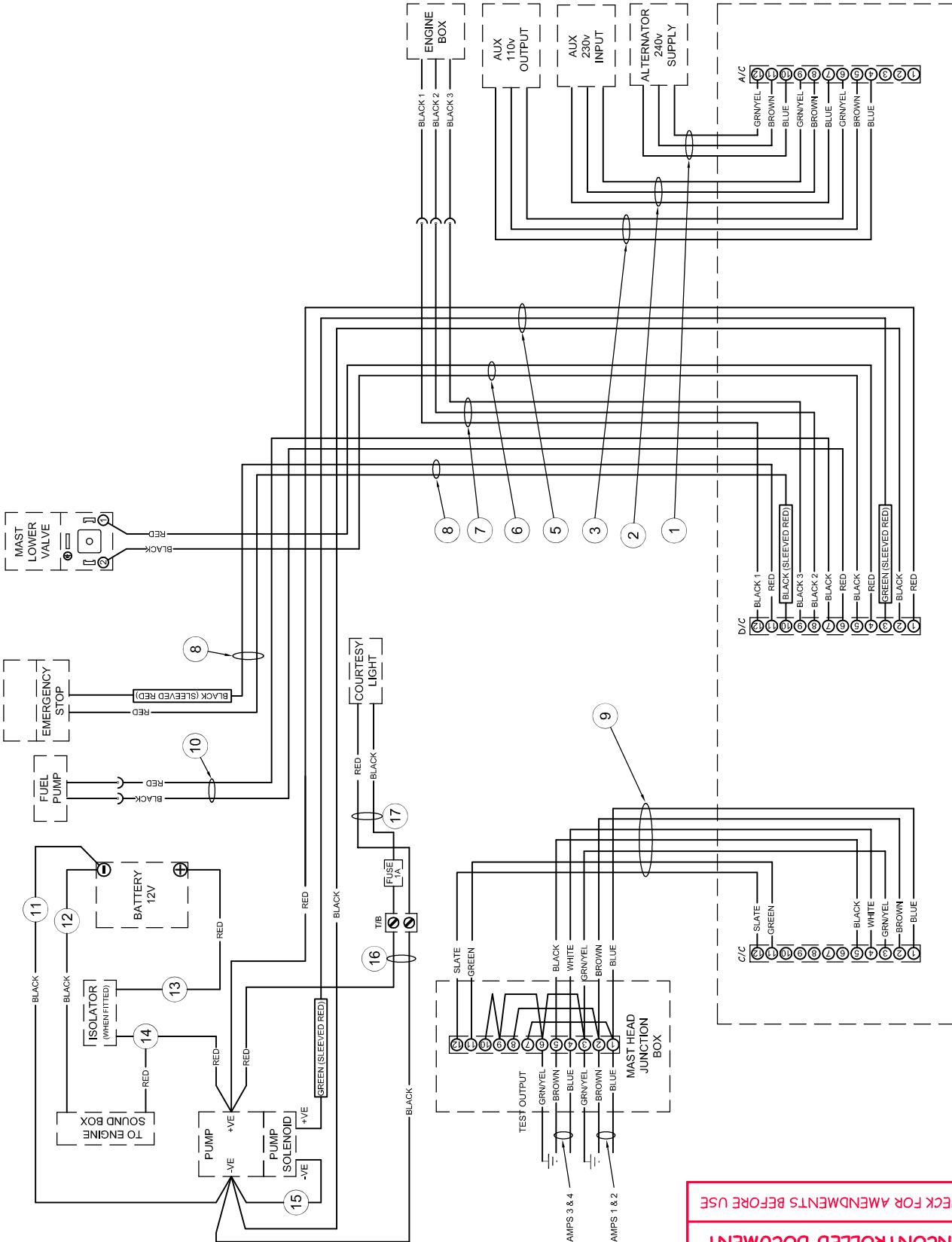
Page 114

THIS DRAWING IS THE PROPERTY OF TAYLOR CONSTRUCTION PLANT LTD. AND MUST NOT BE COPIED, REPRODUCED OR DISCLOSED EXCEPT AS AUTHORISED IN WRITING BY TAYLOR CONSTRUCTION PLANT LTD. ©

2009

TAYLOR CONSTRUCTION PLANT LTD. RESERVE THE RIGHT TO CHANGE PRODUCTS & SPECIFICATIONS WITHOUT PRIOR NOTICE.

DWG No. TCP-4070-10 WS



UNCONTROLLED DOCUMENT
CHECK FOR AMENDMENTS BEFORE USE

Item	Drwg No.	Stk. No.	Core Colours
1	2.5mm ² 3 CORE	71-0062	GE/YE-BN-BU
2	2.5mm ² 3 CORE	71-0062	GE/YE-BN-BU
3	2.5mm ² 3 CORE	YELLOW	GE/YE-BN-BU
4			
5	2.5mm ² 3 CORE	71-0372	BK Numbered
6	1.5mm ² 2 CORE	71-0347	RD-BK
7**	2.5mm ² 3 CORE	71-0372	BK Numbered
8	2.5mm ² 2 CORE	71-0348	RD-BK
9	CURLY CORD	71-0273	MULTI COLOUR
10	1.5mm ² 2 CORE	71-0347	RD-BK
11	16mm ² 1 CORE	73-3073	BK
12	16mm ² 1 CORE	73-3071	BK
13	16mm ² 1 CORE	73-3070	RD
14	16mm ² 1 CORE	73-3072	RD
16	1.5mm ² 2 CORE	71-0347	RD-BK
17	1.5mm ² 2 CORE	71-0347	RD-BK
18	2.0mm ² 8 CORE		MULTI COLOUR

NOTE:
CABLE NO. 7 IS A SPECIAL SIGNAL CABLE.
i.e. THE 3 INNER CORES ARE BLACK & NUMBERED

USED IN CONJUNCTION WITH TCP-4070-10 SD

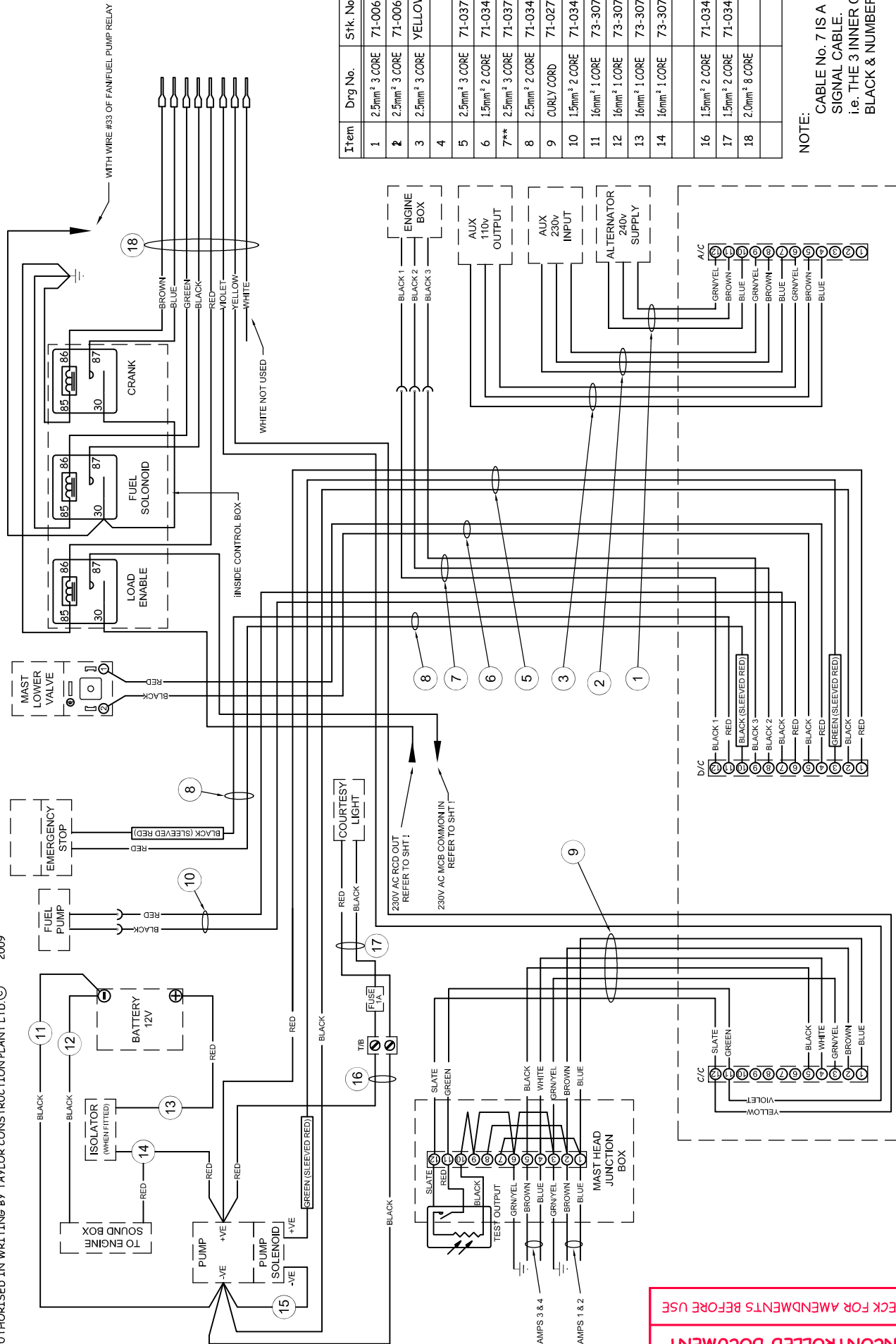
ISS		DESCRIPTION		CHK'D		DATE		ISS		DESCRIPTION		CHK'D		DATE	
B	SEE DCA 00647						08/11								
A	INITIAL ISSUE						06/11								

TAYLOR CONSTRUCTION PLANT LTD.		TITLE: CABLE IDENTIFICATION AND TERMINATION, ECOLITE-T & P	
QUAYSIDE PARK, BATES ROAD, MILDON, ESSEX, CM9 5FA TEL+441621 850777 FAX+441621 843330 WWW.TCP.EU.COM		DWG No.	TCP-4070-10 WS
		Shr. 2 of 2	
		DRN LSV	
		CHK'D	
		APP'D	
		DATE	17.06.2011

THIS DRAWING IS THE PROPERTY OF TAYLOR CONSTRUCTION PLANT LTD. AND MUST NOT BE COPIED, REPRODUCED OR DISCLOSED EXCEPT AS AUTHORISED IN WRITING BY TAYLOR CONSTRUCTION PLANT LTD. ©

2009

TAYLOR CONSTRUCTION PLANT LTD. RESERVE THE RIGHT TO CHANGE PRODUCTS & SPECIFICATIONS WITHOUT PRIOR NOTICE.



NOTE:
CABLE No. 7 IS A SPECIAL SIGNAL CABLE.
i.e. THE 3 INNER CORES ARE BLACK & NUMBERED

UNCONTROLLED DOCUMENT
CHECK FOR AMENDMENTS BEFORE USE

USED IN CONJUNCTION WITH TCP-4070-11 SD

ISS	DATE	DESCRIPTION	CHK'D	DATE	ISS	DATE	DESCRIPTION	CHK'D	DATE
B	08/11	SEE DCA 00647							
A	06/11	INITIAL ISSUE							

TAYLOR CONSTRUCTION PLANT LTD.
QUAYSIDE PARK, BATES ROAD,
MILDON, ESSEX, CM9 5FA
TEL+441621 850777 FAX+441621 843330
WWW.TCP.EU.COM

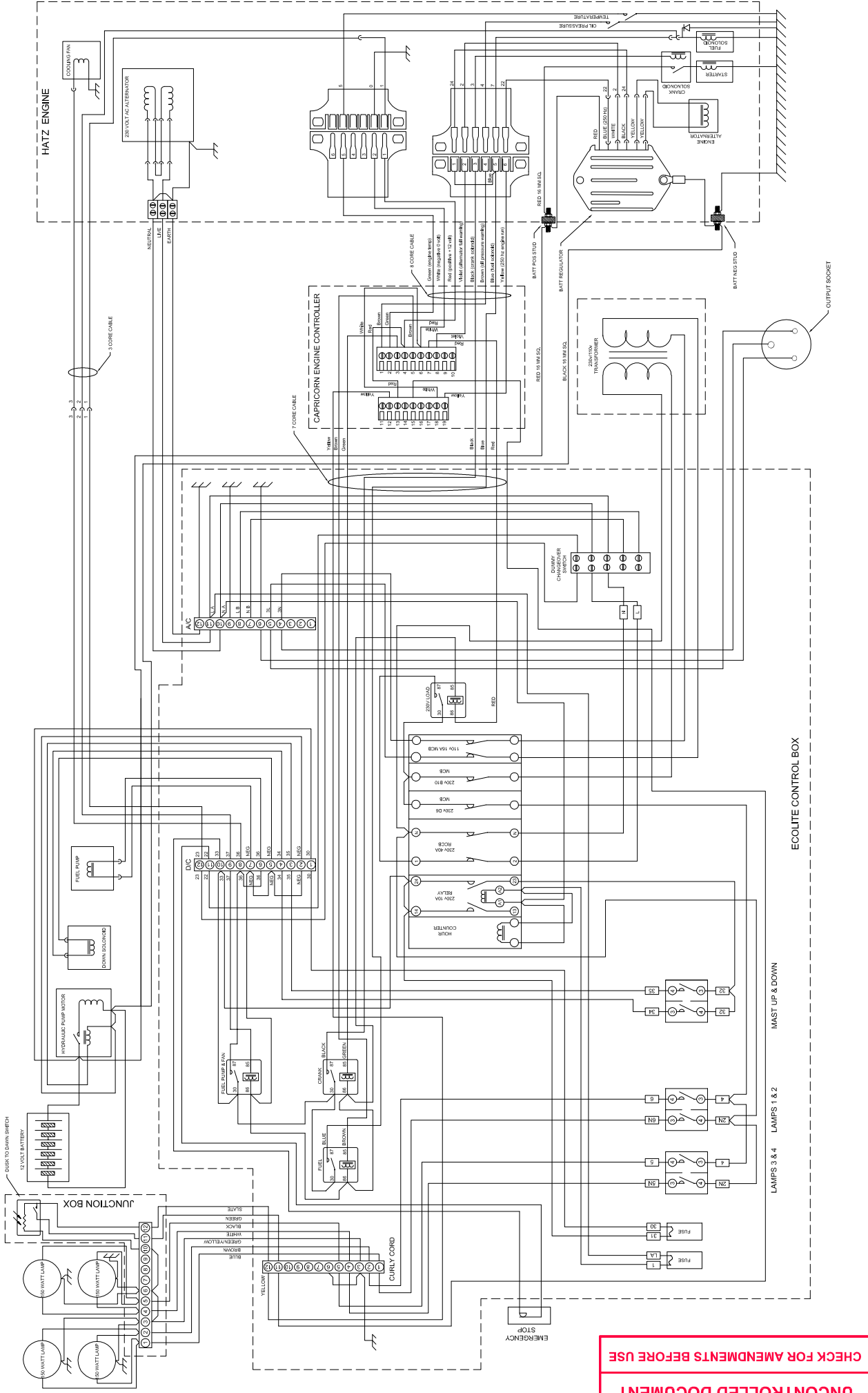
TITLE: CABLE IDENTIFICATION AND TERMINATION, ECOLITE-T & P

DWG No. TCP-4070-11 WS Sht. 2 of 2

DRN LSV
CHK'D
APP'D
DATE
16.06.2011

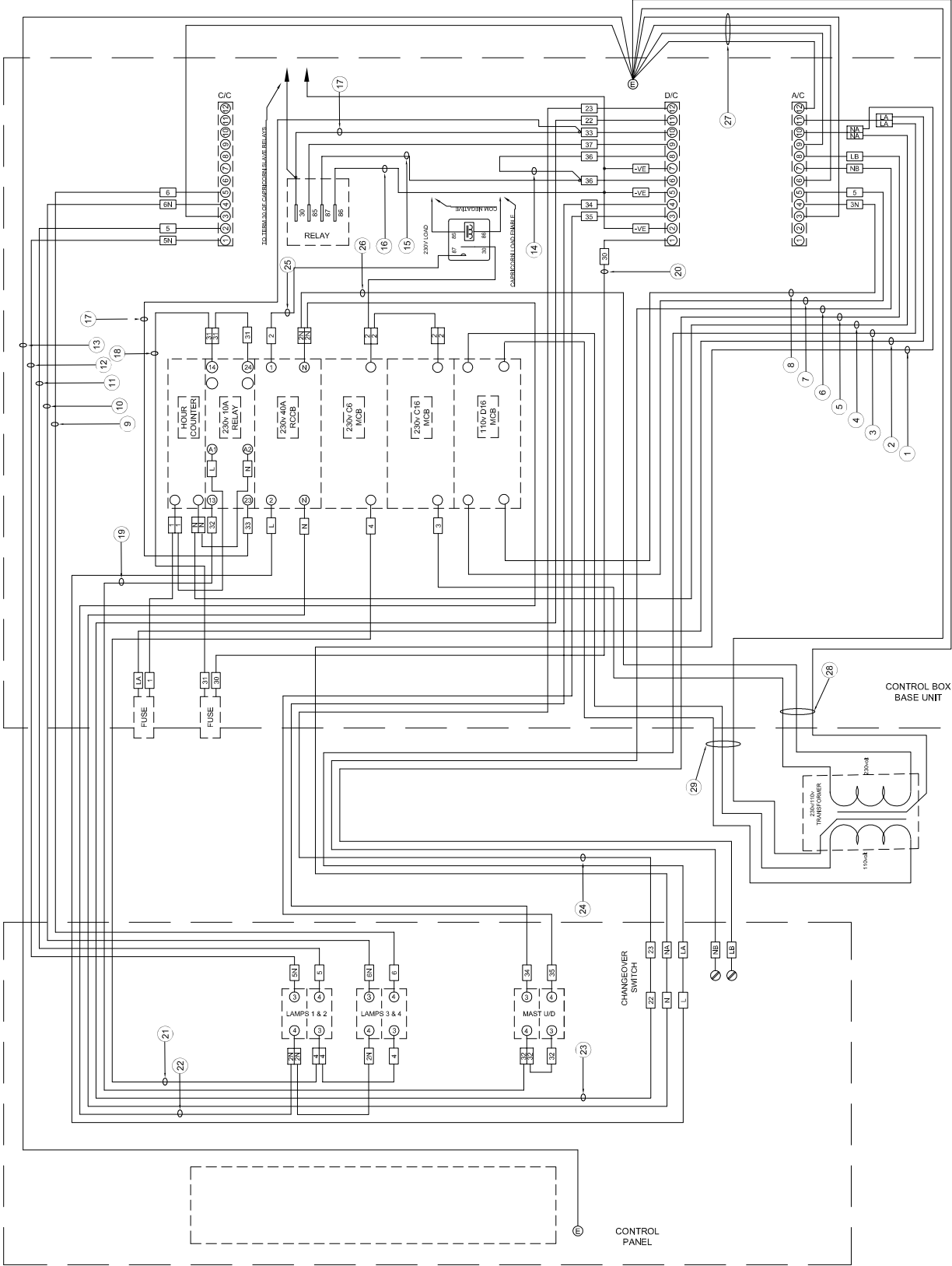
THIS DRAWING IS THE PROPERTY OF TAYLOR CONSTRUCTION PLANT LTD. AND MUST NOT BE COPIED, REPRODUCED OR DISCLOSED EXCEPT AS AUTHORIZED IN WRITING BY TAYLOR CONSTRUCTION PLANT LTD. © 2009

TAYLOR CONSTRUCTION PLANT LTD. RESERVE THE RIGHT TO CHANGE PRODUCTS & SPECIFICATIONS WITHOUT PRIOR NOTICE.



UNCONTROLLED DOCUMENT
CHECK FOR AMENDMENTS BEFORE USE

ISS	A	INITIAL ISSUE	08/11	DATE	CHKD	DATE	DESCRIPTION	C	D	E	F	G	H			
DRN	LSV	CHKD	APPD	DATE	15.06.2011											
TITLE: SCHEMATIC, CAPRICORN CONTROL																
110 VOLT OUT. ECOLITE-T & P																
DWG No. TCP-4070-12 SD																
Sht. 1 of 1																
WWW.TCP.EU.COM																
TAYLOR CONSTRUCTION PLANT LTD.																
QUAYSIDE PARK, BATES ROAD,																
MALDON, ESSEX, CM8 5FA																
TEL+441621 650777 FAX+441627 943330																



Item	Drwg No.	Strk. No.	Core Colours
1	2.5mm ² 1 CORE		BLUE
2	0.75mm ² 1 CORE		BROWN
3	2.5mm ² 1 CORE		BROWN
4	0.75mm ² 1 CORE		BLUE
5	2.5mm ² 1 CORE		BROWN
6	2.5mm ² 1 CORE		BLUE
7	2.5mm ² 1 CORE		BROWN
8	2.5mm ² 1 CORE		BLUE
9	1.5mm ² 1 CORE		BROWN
10	1.5mm ² 1 CORE		BLUE
11	1.5mm ² 1 CORE		BROWN
12	1.5mm ² 1 CORE		BLUE
13	2.5mm ² 1 CORE		YEL/GRN
14	1.0mm ² 1 CORE	70-0180	RED
15	1.0mm ² 1 CORE	70-0180	RED
16	1.0mm ² 1 CORE	70-0179	BLACK
17	2.0mm ² 1 CORE	70-0280	RED
18	2.0mm ² 1 CORE	70-0280	RED
19	2.0mm ² 1 CORE	70-0280	RED
20	2.0mm ² 1 CORE	70-0280	RED
21	1.5mm ² 1 CORE		BROWN
22	1.5mm ² 1 CORE		BLUE
23	2.0mm ² 1 CORE	70-0180	RED
24	2.0mm ² 1 CORE	70-0291	BLACK
25	2.5mm ² 1 CORE		BROWN
26	2.5mm ² 1 CORE		BLUE
27	2.5mm ² 1 CORE		YEL/GRN
28	2.5mm ² 3 CORE		GE/YE-BN-BU
29	2.5mm ² 3 CORE		GE/YE-BN-BU

UNCONTROLLED DOCUMENT
CHECK FOR AMENDMENTS BEFORE USE

USED IN CONJUNCTION WITH TCP-4070-12 SD

TITLE: CABLE IDENTIFICATION AND TERMINATION ECOLITE-T & P

TAYLOR CONSTRUCTION PLANT LTD.
QUAYSIDE PARK, BATES ROAD,
MALDON, ESSEX, CM9 5FA
TEL: 441621 650777 FAX: 441621 943330
WWW.TCP.EU.COM

ISS	DESCRIPTION	CHKD	DATE	ISS	DESCRIPTION	CHKD	DATE
B	SEE DCA 00647		08/11				
A	INITIAL ISSUE		08/11				

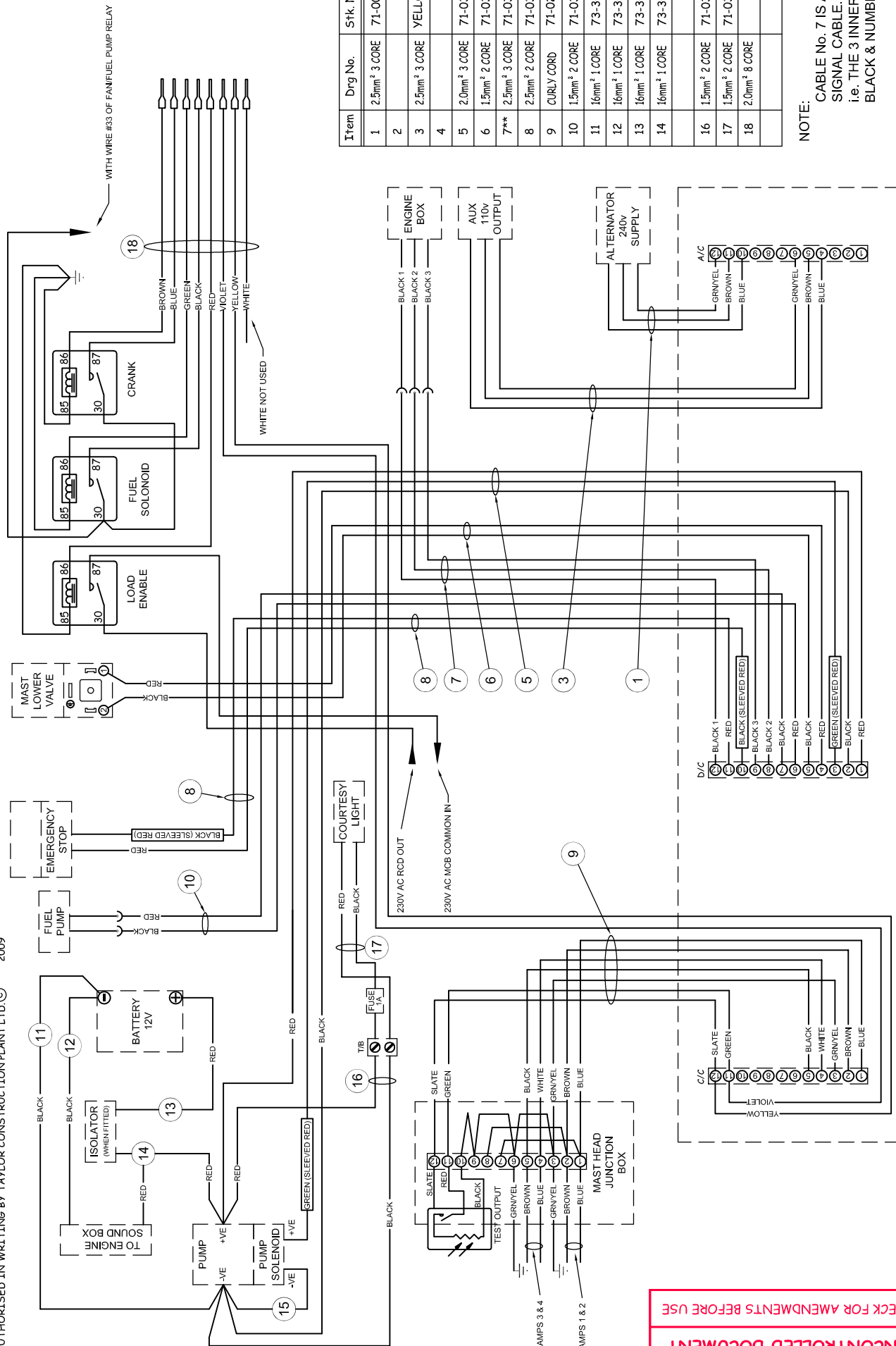
DRN	LSV
CHKD	
APPD	
DATE	15.06.2011

DWG No. TCP-4070-12 WS
Sht. 1 of 2

THIS DRAWING IS THE PROPERTY OF TAYLOR CONSTRUCTION PLANT LTD. AND MUST NOT BE COPIED, REPRODUCED OR DISCLOSED EXCEPT AS AUTHORISED IN WRITING BY TAYLOR CONSTRUCTION PLANT LTD. ©

2009

TAYLOR CONSTRUCTION PLANT LTD. RESERVE THE RIGHT TO CHANGE PRODUCTS & SPECIFICATIONS WITHOUT PRIOR NOTICE.



UNCONTROLLED DOCUMENT
CHECK FOR AMENDMENTS BEFORE USE

Item	Drwg No.	Stk. No.	Core Colours
1	2.5mm ² 3 CORE	71-0062	GE/YE-BN-BU
2	2.5mm ² 3 CORE	YELLOW	GE/YE-BN-BU
4	2.0mm ² 3 CORE	71-0346	RD-BK-GN
5	1.5mm ² 2 CORE	71-0347	RD-BK
6	2.5mm ² 3 CORE	71-0372	BK Numbered
7**	2.5mm ² 2 CORE	71-0348	RD-BK
8	CURLY CORD	71-0273	MULTI COLOUR
9	1.5mm ² 2 CORE	71-0347	RD-BK
10	16mm ² 1 CORE	73-3073	BK
11	16mm ² 1 CORE	73-3071	BK
12	16mm ² 1 CORE	73-3070	RD
13	16mm ² 1 CORE	73-3072	RD
14	1.5mm ² 2 CORE	71-0347	RD-BK
16	1.5mm ² 2 CORE	71-0347	RD-BK
17	1.5mm ² 2 CORE	71-0347	RD-BK
18	2.0mm ² 8 CORE		MULTI COLOUR

NOTE:
CABLE NO. 7 IS A SPECIAL SIGNAL CABLE.
i.e. THE 3 INNER CORES ARE BLACK & NUMBERED

USED IN CONJUNCTION WITH TCP-4070-12 SD

ISS		DESCRIPTION		CHK'D		DATE		ISS		DESCRIPTION		CHK'D		DATE	
B	SEE DCA 00647														
A	INITIAL ISSUE														

TAYLOR CONSTRUCTION PLANT LTD.
QUAYSIDE PARK, BATES ROAD,
MALDON, ESSEX, CM9 5FA
TEL:+441621 850777 FAX:+441621 843330
WWW.TCP.EU.COM

TITLE: CABLE IDENTIFICATION AND TERMINATION, ECOLITE-T & P

DWG No. TCP-4070-12 WS Sht. 2 of 2

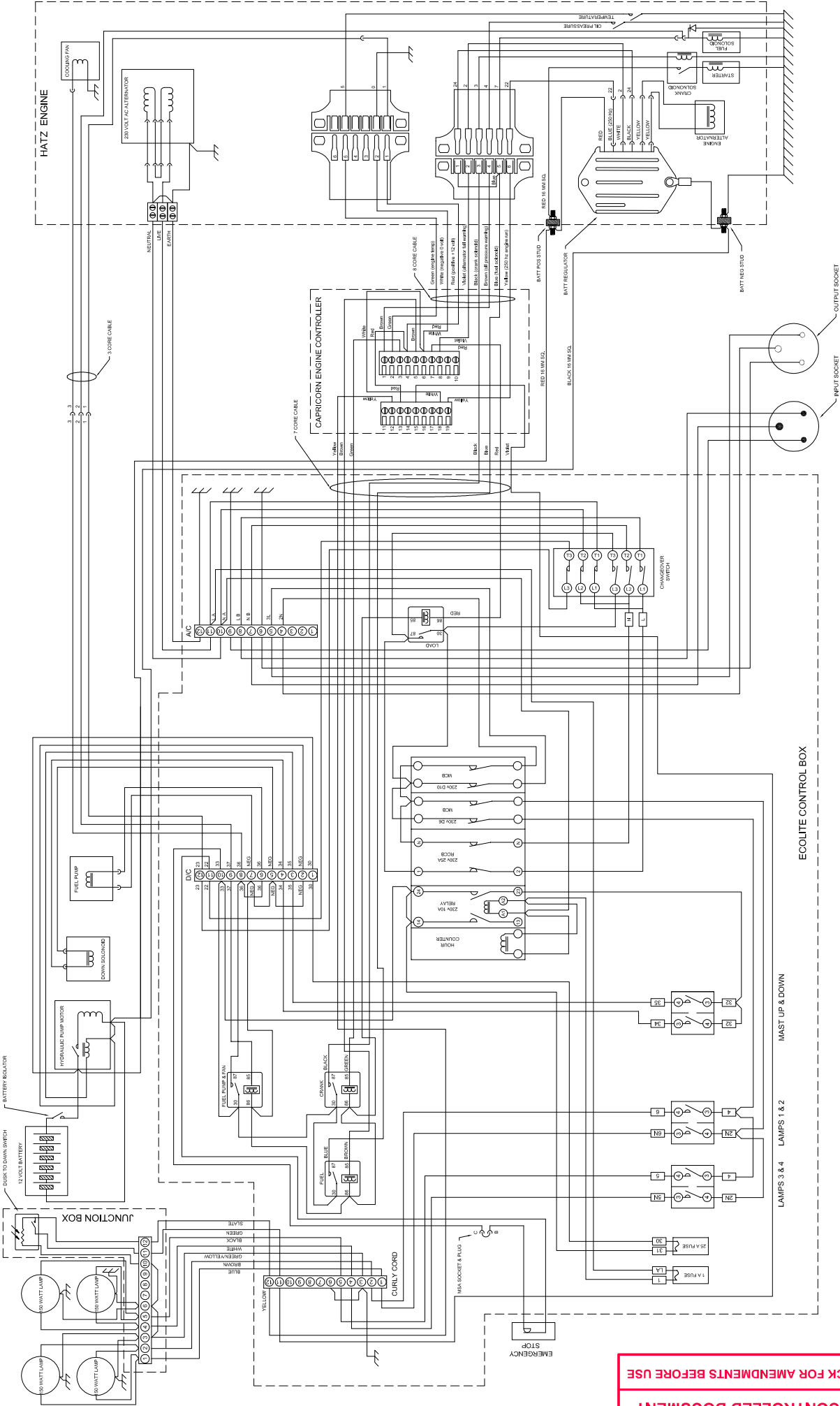
DRN LSV
CHK'D
APP'D
DATE
16.06.2011

THIS DRAWING IS THE PROPERTY OF TAYLOR CONSTRUCTION PLANT LTD. AND MUST NOT BE COPIED, REPRODUCED OR DISCLOSED EXCEPT AS AUTHORIZED IN WRITING BY TAYLOR CONSTRUCTION PLANT LTD. © 2009

TAYLOR CONSTRUCTION PLANT LTD. RESERVE THE RIGHT TO CHANGE PRODUCTS & SPECIFICATIONS WITHOUT PRIOR NOTICE.

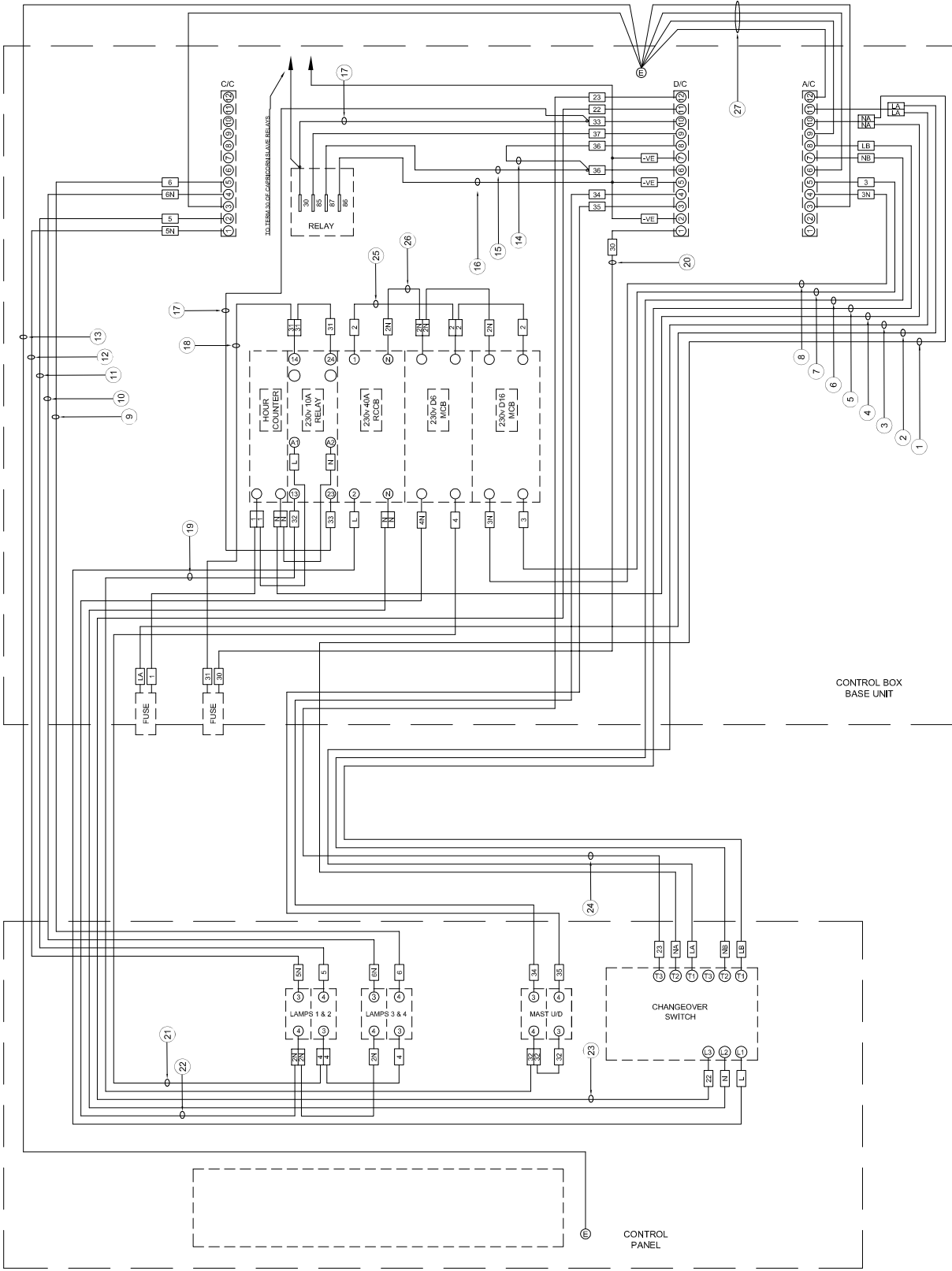
8

DWG No. TCP-4070-13 SD



UNCONTROLLED DOCUMENT
CHECK FOR AMENDMENTS BEFORE USE

ISS	DESCRIPTION	CHKD	DATE	ISS	DESCRIPTION	CHKD	DATE
A	INITIAL ISSUE		04/11				
B	SEE DCA 00654		10/11				
				DESCRIPTION			
				D			
				E			
				F			
				G			
				H			
<p style="text-align: center;">TITLE: SCHEMATIC, CAPRICORN CONTROL 230 VOLT IN / OUT. ECOLITE-T & P</p> <p style="text-align: center;">DWG No. TCP-4070-13 SD Sht. 1 of 1</p>							
<p style="text-align: center;">TAYLOR CONSTRUCTION PLANT LTD. QUAYSIDE PARK, BATES ROAD, MALDON, ESSEX, CM6 5FA TEL+441621 650777 FAX+441621 943330 WWW.TCP.EU.COM</p>				<p style="text-align: center;">DRN LSV CHKD APPD DATE 04.04.2011</p>			



Item	Drwg No.	Strk. No.	Core Colours
1	2.5mm ² 1 CORE	71-00	BLUE
2	0.75mm ² 1 CORE	71-00	BROWN
3	2.5mm ² 1 CORE	71-00	BROWN
4	0.75mm ² 1 CORE	71-00	BLUE
5	2.5mm ² 1 CORE	71-00	BROWN
6	2.5mm ² 1 CORE	71-00	BLUE
7	2.5mm ² 1 CORE	71-00	BROWN
8	2.5mm ² 1 CORE	71-00	BLUE
9	1.5mm ² 1 CORE	71-00	BROWN
10	1.5mm ² 1 CORE	71-00	BLUE
11	1.5mm ² 1 CORE	71-00	BROWN
12	1.5mm ² 1 CORE	71-00	BLUE
13	2.5mm ² 1 CORE	71-00	YEL/GRN
14	1.0mm ² 1 CORE	70-0180	RED
15	1.0mm ² 1 CORE	70-0180	RED
16	1.0mm ² 1 CORE	70-0179	BLACK
17	2.0mm ² 1 CORE	70-0280	RED
18	2.0mm ² 1 CORE	70-0280	RED
19	2.0mm ² 1 CORE	70-0280	RED
20	2.0mm ² 1 CORE	70-0280	RED
21	1.5mm ² 1 CORE	71-00	BROWN
22	1.5mm ² 1 CORE	71-00	BLUE
23	2.0mm ² 1 CORE	70-0180	RED
24	2.0mm ² 1 CORE	70-0291	BLACK
25	2.5mm ² 1 CORE	70-00	BROWN
26	2.5mm ² 1 CORE	70-00	BLUE
27	2.5mm ² 1 CORE	70-00	YEL/GRN

UNCONTROLLED DOCUMENT
CHECK FOR AMENDMENTS BEFORE USE

USED IN CONJUNCTION WITH TCP-4070-13 SD

ISS	DESCRIPTION	CHKD	DATE	ISS	DESCRIPTION	CHKD	DATE
B	SEE DCA 00647		08/11				
A	INITIAL ISSUE		05/11				

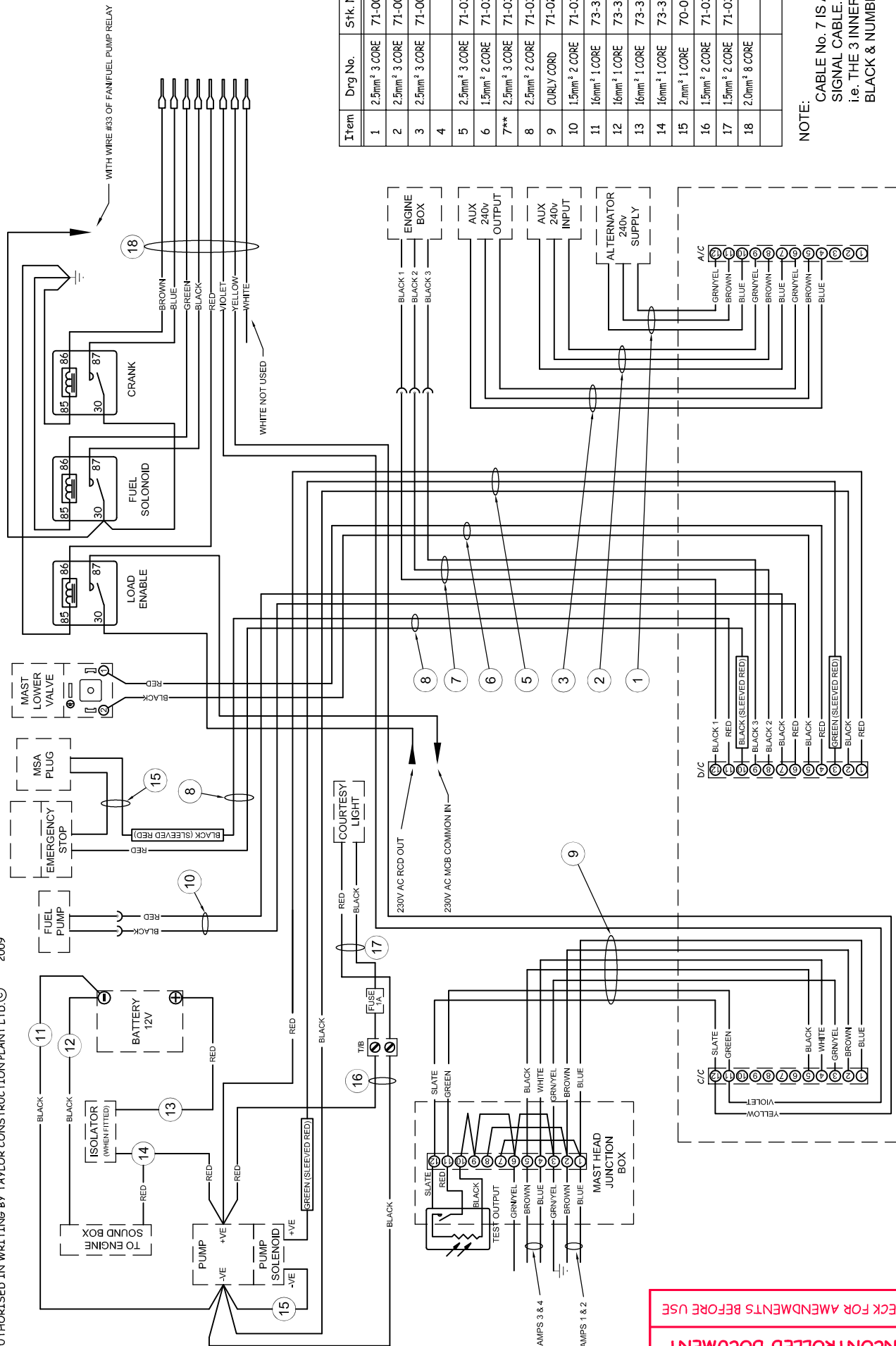
TAYLOR CONSTRUCTION PLANT LTD.		TITLE: CABLE IDENTIFICATION AND TERMINATION ECOLITE-T & P	
QUAYSIDE PARK, BATES ROAD, MALDON, ESSEX, CM9 5FA		DRN LSV	
TEL: +441621 650777 FAX: +441621 943330		CHKD	
WWW.TCP.EU.COM		APPD	
		DATE	
		09.05.2011	

DWG No.	TCP-4070-13 WS	Sht. 1 of 2

THIS DRAWING IS THE PROPERTY OF TAYLOR CONSTRUCTION PLANT LTD. AND MUST NOT BE COPIED, REPRODUCED OR DISCLOSED EXCEPT AS AUTHORISED IN WRITING BY TAYLOR CONSTRUCTION PLANT LTD. ©

2009

TAYLOR CONSTRUCTION PLANT LTD. RESERVE THE RIGHT TO CHANGE PRODUCTS & SPECIFICATIONS WITHOUT PRIOR NOTICE.



NOTE:
CABLE NO. 7 IS A SPECIAL SIGNAL CABLE.
i.e. THE 3 INNER CORES ARE BLACK & NUMBERED

Item	Drwg No.	Stk. No.	Core Colours
1	2.5mm ² 3 CORE	71-0062	GE/YE-BN-BU
2	2.5mm ² 3 CORE	71-0062	GE/YE-BN-BU
3	2.5mm ² 3 CORE	71-0062	GE/YE-BN-BU
4			
5	2.5mm ² 3 CORE	71-0372	BK Numbered
6	1.5mm ² 2 CORE	71-0347	RD-BK
7**	2.5mm ² 3 CORE	71-0372	BK Numbered
8	2.5mm ² 2 CORE	71-0348	RD-BK
9	CURLY CORD	71-0273	MULTI COLOUR
10	1.5mm ² 2 CORE	71-0347	RD-BK
11	16mm ² 1 CORE	73-3073	BK
12	16mm ² 1 CORE	73-3071	BK
13	16mm ² 1 CORE	73-3070	RD
14	16mm ² 1 CORE	73-3072	RD
15	2.0mm ² 1 CORE	70-0291	BK
16	1.5mm ² 2 CORE	71-0347	RD-BK
17	1.5mm ² 2 CORE	71-0347	RD-BK
18	2.0mm ² 8 CORE		MULTI COLOUR

UNCONTROLLED DOCUMENT
CHECK FOR AMENDMENTS BEFORE USE

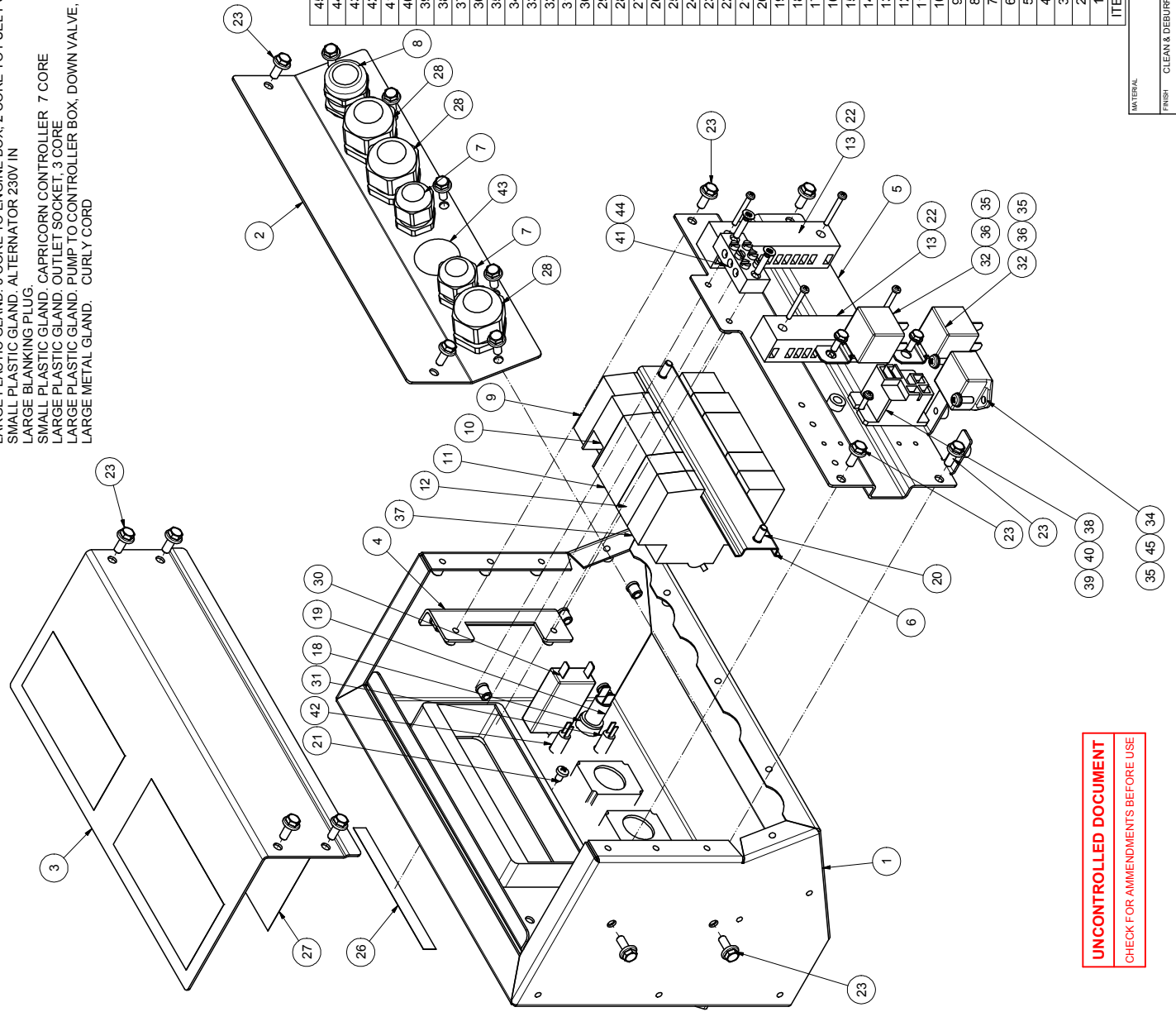
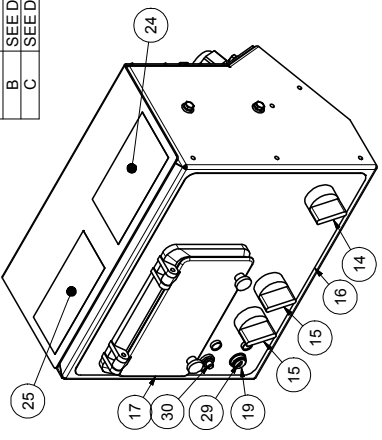
USED IN CONJUNCTION WITH TCP-4070-13 SD

TAYLOR CONSTRUCTION PLANT LTD.		TAYLOR CONSTRUCTION PLANT LTD.		TAYLOR CONSTRUCTION PLANT LTD.	
QUAYSIDE PARK, BATES ROAD, MALDON, ESSEX, CM9 5FA		QUAYSIDE PARK, BATES ROAD, MALDON, ESSEX, CM9 5FA		QUAYSIDE PARK, BATES ROAD, MALDON, ESSEX, CM9 5FA	
TEL+441621 850777 FAX+441621 843330		TEL+441621 850777 FAX+441621 843330		TEL+441621 850777 FAX+441621 843330	
WWW.TCP.EU.COM		WWW.TCP.EU.COM		WWW.TCP.EU.COM	
ISS	DESCRIPTION	CHK'D	DATE	ISS	DESCRIPTION
A	INITIAL ISSUE		05/11		
B	SEE DCA 00647		08/11		
TITLE: CABLE IDENTIFICATION AND TERMINATION, ECOLITE-T & P		DWG No. TCP-4070-13 WS		DRN LSV	
DWG No. TCP-4070-13 WS		Shk. 2 of 2		CHK'D	
				APP'D	
				DATE	
				04.05.2011	

ECOLITE-T
CONTROL BOX
Version - 2

ISS	DESCRIPTION	DATE
A	INITIAL ISSUE	01/07/2011
B	SEE DCA 00645	03/08/2011
C	SEE DCA 00665	22/11/2011

CABLE LAYOUT FOR REAR PANEL.
 LARGE PLASTIC GLAND, 3 CORE TO ENGINE BOX, 2 CORE TO FUEL PUMP
 SMALL PLASTIC GLAND, ALTERNATOR 230V/IN
 LARGE BLANKING PLUG.
 SMALL PLASTIC GLAND, CAPRICORN CONTROLLER 7 CORE
 LARGE PLASTIC GLAND, OUTLET SOCKET, 3 CORE
 LARGE PLASTIC GLAND, PUMP TO CONTROLLER BOX, DOWN VALVE, E STOP
 LARGE METAL GLAND, CURLY CORD



ITEM	DRG. No.	SCALE	STOCK No.	KIT	DESCRIPTION	QTY
45	ISO 7045 - M4 x 12 - 4.8 - Z	01-0060			PAN HEAD SCREW - GRADE A	2
44	ISO 7046-1 - M4 x 20 - 4.8 - Z	01-0239			COUNTERSUNK CROSS HEAD SCREW	2
43	TCP-3683	03-0010			25mm BLANKING GROMMET	1
42	TCP-3663	70-3663			GREEN LED, W/O RESISTOR	1
41	TCP-3667	71-3667			3 WAY DOUBLE SCREW TERMINAL BLOCK	1
40	BS 4320 - M3 (Form A)	02-0017			BRIGHT METAL WASHER - METRIC SERIES	2
39	ISO 7045 - M3 x 12 - 4.8 - Z	01-0031			PAN HEAD SCREW - GRADE A	2
38	TCP-3668	71-3668			POWER RELAY 19A	1
37	TCP-3678	71-0302			MCB 10A TYPE D - SINGLE POLE	1
36	ISO 4017 - M4 x 12	01-0049			HEXAGON HEAD SCREW	2
35	BS 4320 - M4 (Form A)	02-0028			BRIGHT METAL WASHER - METRIC SERIES	4
34	TCP-3664	70-3664			FAN FAIL CONTROLLER	1
33	TCP-2832	71-0005			RELAY BASE	2
32	TCP-3695	71-0006			SOUNDER RELAY 12V	2
31	TCP-3666	70-3666			RED LED, W/O RESISTOR	1
30	TCP-3662	71-3662			SWITCHABLE THERMAL FUSE, 15AMP	1
29	TCP-3442	71-0291			1 AMP FUSE CARTRIDGE	1
28	TCP-3445	71-3445			M25 INDEX CABLE GLAND WITH LOCKNUT	3
27	TCP-3669	80-3669			DECAL, TERMINAL INFORMATION MK2	1
26	TCP-2321-02	80-0348			DECAL, RDC MCB RELAY	1
25	TCP-1098	80-0048			DECAL, RCD INFORMATION & TEST	1
24	TCP-1093	80-0043			DECAL, DANGER FALLING HAZARD	1
23	DIN 6921 - M5 x 12	01-0205			HEXAGON FLANGED BOLT	19
22	ISO 7045 - M3 x 25 - 4.8 - Z	01-0168			PAN HEAD SCREW - GRADE A	4
21	ISO 7049 - ST 4.2 x 9.5 - C - Z	01-0058			CROSS RECESSED PAN HEAD TAPPING SCREW	6
20	ISO 7045 - M5 x 12 - 4.8 - Z	01-0083			PAN HEAD SCREW - GRADE A	2
19	TCP-2822	71-0234			FUSE HOLDER SLOTTED IP67	1
18	TCP-2868	70-0091			SPACER, FUSE HOLDER	1
17	TCP-3002	71-0287			PROTECTIVE WINDOW COVER 8 WAY - GREY	1
16	TCP-4254	80-4254			DECAL, CONTROL PANEL, FAN FAIL	1
15	TCP-2815	71-0232			SELECTOR SWITCH 2 POSITION	2
14	TCP-2817	71-0233			SELECTOR SWITCH 3 POSN SPG RET CTR	1
13	TCP-2819	71-0237			TERMINAL BLOCK 12 WAY 21A 275V	2
12	TCP-2836	71-0242			MCB 6A TYPE D	1
11	TCP-3681	71-3681			220V RCD 25AMP 30MA TYPE AC	1
10	TCP-2837	71-0243			RELAY 2 POLE NO 230V COIL	1
9	TCP-2824	71-0238			HOUR COUNTER 230V	1
8	TCP-2137	28-019			M25 CABLE GLAND	1
7	TCP-2108	71-0035			M20 CABLE GLAND WITH LOCKNUT	1
6	TCP-4081	71-4081			KLIPPON RAIL	2
5	TCP-4096-01	51-4107			RAIL and TERMINAL STRIP SUPPORT BRACKET	1
4	TCP-4096-2	51-4107			SUPPORT BRACKET	2
3	TCP-4095-01	51-4107			UPPER COVER - CONTROL BOX	1
2	TCP-4095-02	51-4107			LOWER COVER - CONTROL BOX	1
1	TCP-4094	51-4107			CONTROL BOX MK2	1

ITEM	DRG. No.	SCALE	STOCK No.	KIT	DESCRIPTION	QTY
					CONTROL BOX ASSY - SIMPLIFIED	

MATERIAL FINISH CLEAN & DEBURR

SCALE 1:2

DIMENSIONS IN MM

TOLERANCES: 0.15 ANGLES: 1/2°

TAYLOR CONSTRUCTION PLANT LTD.
 GARDEN ROAD, WALSLEY, S64 6PA
 TEL: 01924 618433
 WWW.TCP.CO.UK

DRAWN OR DATE 08/07/2011 CHECKED

DRG No. TCP-4255-01 SA SHEET 1 OF 1

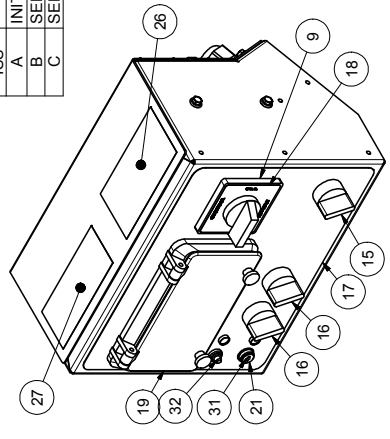
STOCKING IS SA-4255-01

THRU HOLE

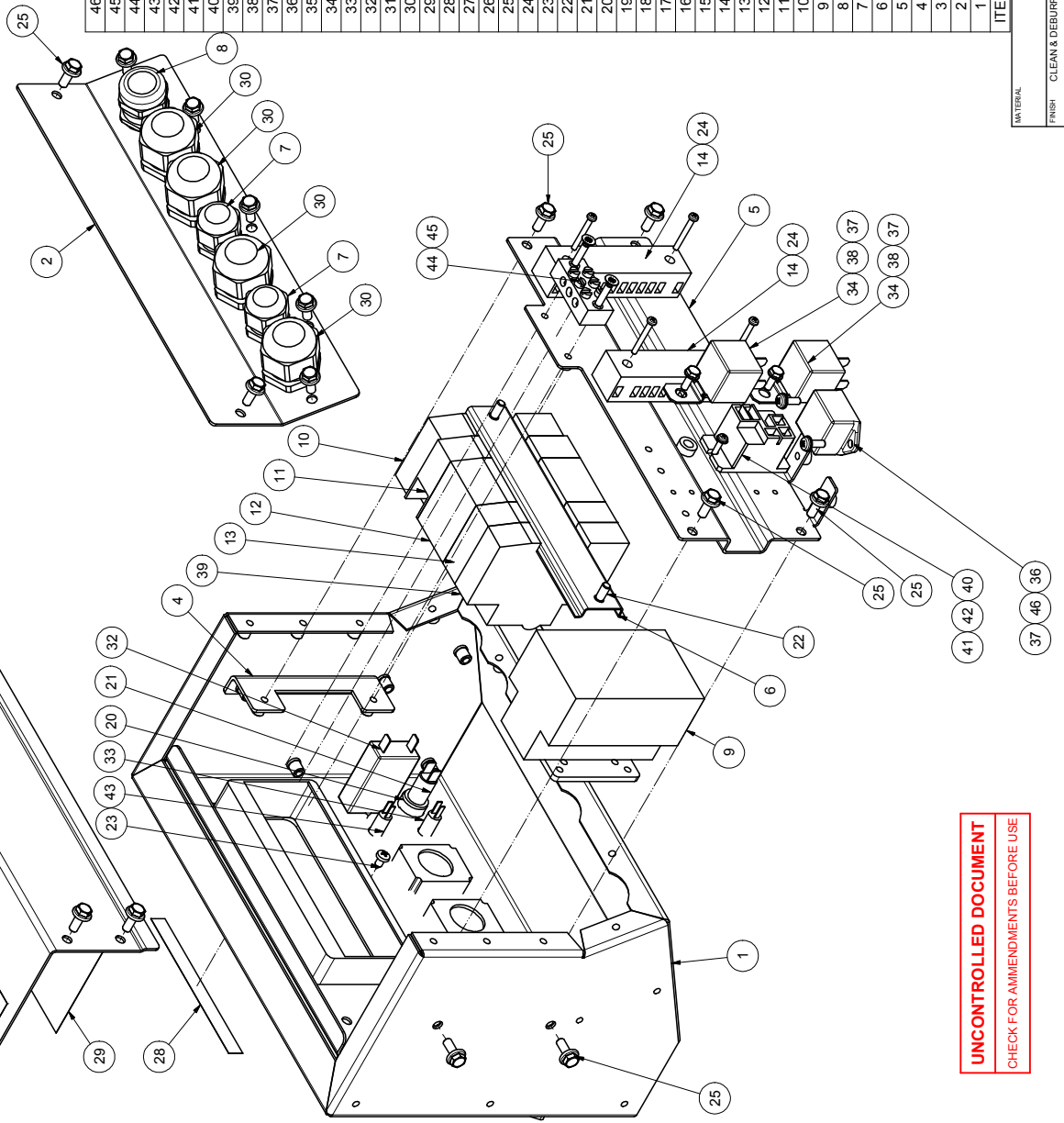
A2

UNCONTROLLED DOCUMENT
 CHECK FOR AMENDMENTS BEFORE USE

ISS	DESCRIPTION	DATE
A	INITIAL ISSUE	01/07/2011
B	SEE DCA 00645	03/08/2011
C	SEE DCA 00665	22/11/2011



CABLE LAYOUT FOR REAR PANEL,
 LARGE PLASTIC GLAND, 3 CORE TO ENGINE BOX, 2 CORE TO FUEL PUMP
 SMALL PLASTIC GLAND, ALTERNATOR 230V IN
 LARGE PLASTIC GLAND, INLET SOCKET, 3 CORE
 SMALL PLASTIC GLAND, CAPRICORN CONTROLLER, 7 CORE
 LARGE PLASTIC GLAND, OUTLET SOCKET, 3 CORE
 LARGE PLASTIC GLAND, PUMP TO CONTROLLER BOX, DOWN VALVE, E STOP
 LARGE METAL GLAND, CURLY CORD



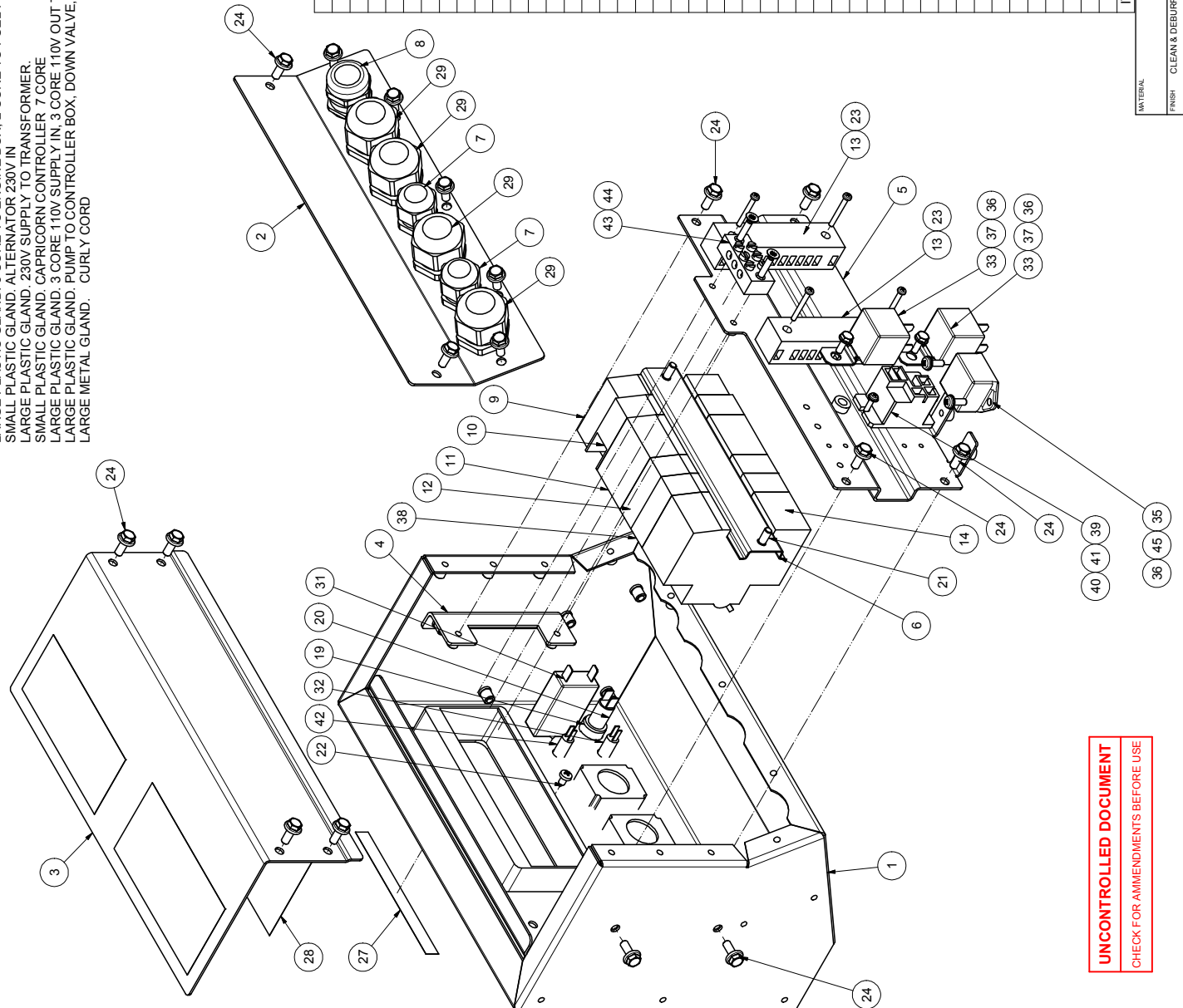
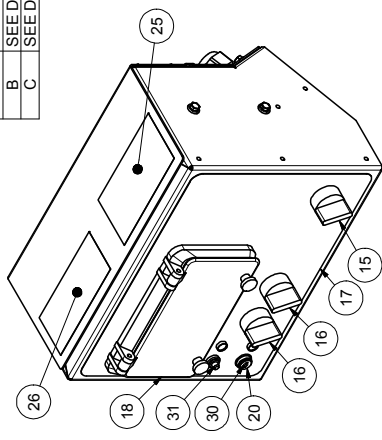
ITEM	DRG. NO.	SCALE	KIT	STOCK NO.	DESCRIPTION	QTY
46	ISO 7045 - M4 x 12 - 4.8 - Z	01-0060			PAN HEAD SCREW - GRADE A	2
45	ISO 7046-1 - M4 x 20 - 4.8 - Z	01-0239			COUNTERSUNK CROSS HEAD SCREW	2
44	TCP-3667	71-3667			3 WAY DOUBLE SCREW TERMINAL BLOCK	1
43	TCP-3663	70-3663			GREEN LED, W/O RESISTOR	1
42	BS 4320 - M3 (Form A)	02-0017			BRIGHT METAL WASHER - METRIC SERIES	2
41	ISO 7045 - M3 x 12 - 4.8 - Z	01-0031			PAN HEAD SCREW - GRADE A	2
40	TCP-3668	71-3668			POWER RELAY T9A	1
39	TCP-3678	71-0302			MCB 10A TYPE D - SINGLE POLE	1
38	ISO 4017 - M4 x 12	01-0049			HEXAGON HEAD SCREW	2
37	BS 4320 - M4 (Form A)	02-0028			BRIGHT METAL WASHER - METRIC SERIES	4
36	TCP-3664	70-3664			FAN FAIL CONTROLLER	1
35	TCP-2832	71-0005			RELAY BASE	2
34	TCP-3695	71-0006			SOUNDER RELAY 12V	2
33	TCP-3666	70-3666			RED LED, W/O RESISTOR	2
32	TCP-3662	71-3662			SWITCHABLE THERMAL FUSE, 15AMP	1
31	TCP-3442	71-0291			1 AMP FUSE CARTRIDGE	4
30	TCP-3445	71-3445			M25 INDEX CABLE GLAND WITH LOCKNUT	1
29	TCP-3669	80-3669			DECAL, TERMINAL INFORMATION MK2	1
28	TCP-2321-02	80-0348	SA-2998		DECAL, RDC MCB RELAY	1
27	TCP-1098	80-0048	SA-2998		DECAL, RCD INFORMATION & TEST	1
26	TCP-1093	80-0043	SA-2998		DECAL, DANGER FALLING HAZARD	1
25	DIN 6921 - M5 x 12	01-0205			HEXAGON FLANGED BOLT	19
24	ISO 7045 - M3 x 25 - 4.8 - Z	01-0168			PAN HEAD SCREW - GRADE A	4
23	ISO 7049 - ST 4.2 x 9.5 - C - Z	01-0058			CROSS RECESSED PAN HEAD TAPPING SCREW	6
22	ISO 7045 - M5 x 12 - 4.8 - Z	01-0083			PAN HEAD SCREW - GRADE A	2
21	TCP-2822	71-0234			FUSE HOLDER SLOTTED IP67	1
20	TCP-2268	70-0091			SPACER, FUSE HOLDER	1
19	TCP-3002	71-0287			PROTECTIVE WINDOW COVER 8 WAY - GREY	1
18	TCP-4106	80-4106			DECAL, CHANGEOVER SWITCH	1
17	TCP-4254	80-4254			DECAL, CONTROL PANEL, FAN FAIL	1
16	TCP-2815	71-0232			SELECTOR SWITCH 2 POSITION	1
15	TCP-2817	71-0233			SELECTOR SWITCH 3 POSN SPG RET CTR	2
14	TCP-2819	71-0237			TERMINAL BLOCK 12 WAY 21A 275V	2
13	TCP-2836	71-0242			MCB 6A TYPE D	1
12	TCP-3681	71-3681			220V RCD 25AMP 30MA TYPE AC	1
11	TCP-2837	71-0243			RELAY 2 POLE NO 230V COIL	1
10	TCP-2824	71-0238			HOUR COUNTER 230V	1
9	TCP-2818	71-0240			CHANGEOVER SWITCH 3 POLE 32A	1
8	TCP-2137	28-019			M25 CABLE GLAND	1
7	TCP-2108	71-0035			M20 CABLE GLAND WITH LOCKNUT	2
6	TCP-4081	71-4081			KLIPON RAIL	1
5	TCP-4096-01	51-4107			RAIL and TERMINAL STRIP SUPPORT BRACKET	1
4	TCP-4096-2	51-4107			SUPPORT BRACKET	2
3	TCP-4095-01	51-4107			UPPER COVER - CONTROL BOX	1
2	TCP-4095-02	51-4107			LOWER COVER - CONTROL BOX	1
1	TCP-4094	51-4107			CONTROL BOX MK2	1

ITEM	DRG. NO.	SCALE	KIT	STOCK NO.	DESCRIPTION	QTY
37	46				CONTROL BOX ASSY - SIMPLIFIED - WITH CHANGEOVER	1
36	46				CONTROL BOX ASSY - SIMPLIFIED - WITH CHANGEOVER	1

UNCONTROLLED DOCUMENT
 CHECK FOR AMENDMENTS BEFORE USE

ISS	DESCRIPTION	DATE
A	INITIAL ISSUE	01/07/2011
B	SEE DCA 00645	03/08/2011
C	SEE DCA 00665	22/11/2011

CABLE LAYOUT FOR REAR PANEL.
 LARGE PLASTIC GLAND. 3 CORE TO ENGINE BOX, 2 CORE TO FUEL PUMP
 SMALL PLASTIC GLAND. ALTERNATOR 230V IN
 LARGE PLASTIC GLAND. 230V SUPPLY TO TRANSFORMER.
 SMALL PLASTIC GLAND. CAPRICORN CONTROLLER 7 CORE
 LARGE PLASTIC GLAND. 3 CORE 110V SUPPLY IN. 3 CORE 110V OUT TO SOCKET
 LARGE PLASTIC GLAND. PUMP TO CONTROLLER BOX, DOWN VALVE, E STOP
 LARGE METAL GLAND. CURLY CORD



45	ISO 7045 - M4 x 12 - 4.8 - Z	01-0060	PAN HEAD SCREW - GRADE A	2
44	ISO 7046-1 - M4 x 20 - 4.8 - Z	01-0239	COUNTERSUNK CROSS HEAD SCREW	2
43	TCP-3687	71-3687	3 WAY DOUBLE SCREW TERMINAL BLOCK	1
42	TCP-3663	70-3663	GREEN LED W/O RESISTOR	1
41	BS 4320 - M3 (Form A)	02-0017	BRIGHT METAL WASHER - METRIC SERIES	2
40	ISO 7045 - M3 x 12 - 4.8 - Z	01-0031	PAN HEAD SCREW - GRADE A	2
39	TCP-3668	71-3668	POWER RELAY T9A	1
38	TCP-3678	71-0302	MCB 10A TYPE D - SINGLE POLE	1
37	ISO 4017 - M4 x 12	01-0049	HEXAGON HEAD SCREW	2
36	BS 4320 - M4 (Form A)	02-0028	BRIGHT METAL WASHER - METRIC SERIES	4
35	TCP-3664	70-3664	FAN FAIL CONTROLLER	1
34	TCP-2832	71-0005	RELAY BASE	2
33	TCP-3695	71-0006	SOUNDER RELAY 12V	2
32	TCP-3666	70-3666	RED LED W/O RESISTOR	1
31	TCP-3662	71-3662	SWITCHABLE THERMAL FUSE, 15AMP	1
30	TCP-3442	71-0291	1 AMP FUSE CARTRIDGE	1
29	TCP-3445	71-3445	M25 INDEX CABLE GLAND WITH LOCKNUT	4
28	TCP-3669	80-3669	DECAL, TERMINAL INFORMATION MK2	1
27	TCP-2321-02	80-0348	DECAL, RCD INFORMATION & TEST	1
26	TCP-1098	80-0048	DECAL, RCD INFORMATION & TEST	1
25	TCP-1093	80-0043	DECAL, DANGER FALLING HAZARD	1
24	DIN 6921 - M5 x 12	01-0205	HEXAGON FLANGED BOLT	19
23	ISO 7045 - M3 x 25 - 4.8 - Z	01-0168	PAN HEAD SCREW - GRADE A	4
22	ISO 7049 - ST 4.2 x 9.5 - G - Z	01-0068	GROSS RECESSED PAN HEAD TAPPING SCREW	6
21	ISO 7045 - M5 x 12 - 4.8 - Z	01-0083	PAN HEAD SCREW - GRADE A	2
20	TCP-2822	71-0234	FUSE HOLDER SLOTTED IP67	2
19	TCP-2268	70-0091	SPACER, FUSE HOLDER	1
18	TCP-3002	71-0287	PROTECTIVE WINDOW COVER 8 WAY - GREY	1
17	TCP-4254	80-4254	DECAL, CONTROL PANEL, FAN FAIL	1
16	TCP-2815	71-0232	SELECTOR SWITCH 2 POSITION	2
15	TCP-2817	71-0233	SELECTOR SWITCH 3 POSN SPG RET CTR	2
14	TCP-3449	16-0042	MCB 16A TYPE D - DUAL POLE	1
13	TCP-2819	71-0237	TERMINAL BLOCK 12 WAY 21A 215V	2
12	TCP-2836	71-0242	MCB 6A TYPE D	2
11	TCP-3681	71-3681	220V RCD 25AMP 30MA TYPE AC	1
10	TCP-2837	71-0243	RELAY 2 POLE NO 230V COIL	1
9	TCP-2824	71-0238	HOUR COUNTER 230V	1
8	TCP-2137	28-019	M25 CABLE GLAND	1
7	TCP-2108	71-0035	M20 CABLE GLAND WITH LOCKNUT	2
6	TCP-4081	71-4081	KLIPPON RAIL	1
5	TCP-4096-01	51-4107	RAIL and TERMINAL STRIP SUPPORT BRACKET	1
4	TCP-4096-2	51-4107	SUPPORT BRACKET	2
3	TCP-4095-01	51-4107	UPPER COVER - CONTROL BOX	1
2	TCP-4095-02	51-4107	LOWER COVER - CONTROL BOX	1
1	TCP-4094	51-4107	CONTROL BOX Mk2	1

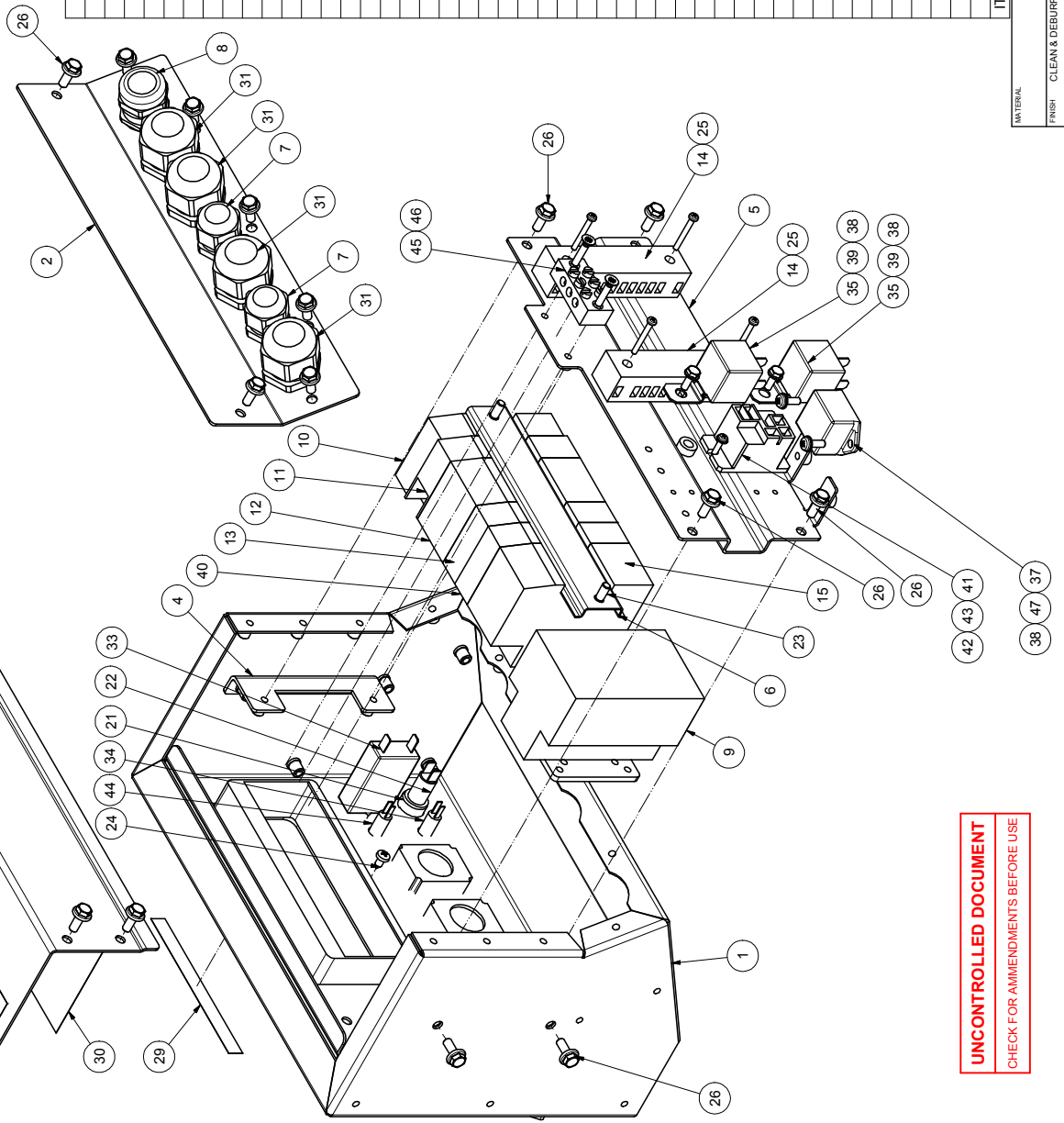
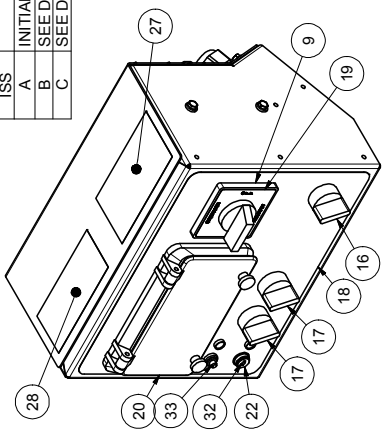
ITEM	DRG. No.	SCALE	STOCK No.	DESCRIPTION	QTY
	1/2			CONTROL BOX ASSY - SIMPLIFIED - 110V	
				OUT	

ITEM	DRG. No.	SCALE	STOCK No.	DESCRIPTION	QTY
	1/2			CONTROL BOX ASSY - SIMPLIFIED - 110V	
				OUT	

UNCONTROLLED DOCUMENT
 CHECK FOR AMENDMENTS BEFORE USE

ISS	DESCRIPTION	DATE
A	INITIAL ISSUE	01/07/2011
B	SEE DCA 00645	03/08/2011
C	SEE DCA 00665	22/11/2011

CABLE LAYOUT FOR REAR PANEL.
 LARGE PLASTIC GLAND. 3 CORE TO ENGINE BOX. 2 CORE TO FUEL PUMP.
 SMALL PLASTIC GLAND. ALTERNATOR 230V IN
 LARGE PLASTIC GLAND. 230V SUPPLY TO TRANSFORMER. 230V FROM INPUT
 SMALL PLASTIC GLAND. CAPRICORN CONTROLLER. 7 CORE
 LARGE PLASTIC GLAND. 3 CORE 110V SUPPLY IN. 3 CORE 110V OUT TO SOCKET
 LARGE PLASTIC GLAND. PUMP TO CONTROLLER BOX. DOWN VALVE. E STOP
 LARGE METAL GLAND. CURLY CORD



ITEM	DRG. No.	SCALE	STOCK No.	KIT	DESCRIPTION	QTY
47	ISO 7045 - M4 x 12 - 4.8 - Z	01-0060			PAN HEAD SCREW - GRADE A	2
46	ISO 7045-1 - M4 x 20 - 4.8 - Z	01-0239			COUNTERSUNK CROSS HEAD SCREW	2
45	TCP-3667	71-3667			3 WAY DOUBLE SCREW TERMINAL BLOCK	1
44	TCP-3663	70-3663			GREEN LED. W/O RESISTOR	1
43	BS 4320 - M3 (Form A)	02-0017			BRIGHT METAL WASHER - METRIC SERIES	2
42	ISO 7045 - M3 x 12 - 4.8 - Z	01-0031			PAN HEAD SCREW - GRADE A	2
41	TCP-3668	71-3668			POWER RELAY T9A	1
40	TCP-3678	71-0302			MCB 10A TYPE D - SINGLE POLE	1
39	ISO 4017 - M4 x 12	01-0049			HEXAGON HEAD SCREW	2
38	BS 4320 - M4 (Form A)	02-0028			BRIGHT METAL WASHER - METRIC SERIES	4
37	TCP-3664	70-3664			FAN FAIL CONTROLLER	1
36	TCP-2832	71-0005			RELAY BASE	2
35	TCP-3695	71-0006			SOUNDER RELAY 12V	2
34	TCP-3666	71-3666			RED LED. W/O RESISTOR	1
33	TCP-3662	71-3662			SWITCHABLE THERMAL FUSE. 15AMP	1
32	TCP-3442	71-0291			1 AMP FUSE CARTRIDGE	1
31	TCP-3445	71-3445			M25 INDEX CABLE GLAND WITH LOCKNUT	4
30	TCP-3669	80-3669			DECAL. TERMINAL INFORMATION MK2	1
29	TCP-2321-02	80-0348		SA-2998	DECAL. RDC MCB RELAY	1
28	TCP-1098	80-0048		SA-2998	DECAL. RCD INFORMATION & TEST	1
27	TCP-1093	80-0043		SA-2998	DECAL. DANGER FALLING HAZARD	1
26	DIN 6921 - M5 x 12	01-0205			HEXAGON FLANGED BOLT	19
25	ISO 7045 - M3 x 25 - 4.8 - Z	01-0168			PAN HEAD SCREW - GRADE A	4
24	ISO 7049 - ST 4.2 x 9.5 - C - Z	01-0058			CROSS RECESSED PAN HEAD TAPPING SCREW	6
23	ISO 7045 - M5 x 12 - 4.8 - Z	01-0083			PAN HEAD SCREW - GRADE A	2
22	TCP-2822	71-0234			FUSE HOLDER SLOTTED IP67	1
21	TCP-2268	70-0091			SPACER. FUSE HOLDER	1
20	TCP-3002	71-0287			PROTECTIVE WINDOW COVER 8 WAY - GREY	1
19	TCP-4106	80-4106			DECAL. CHANGE OVER SWITCH	1
18	TCP-4254	80-4254			DECAL. CONTROL PANEL. FAN FAIL	1
17	TCP-2815	71-0232			SELECTOR SWITCH 2 POSITION	2
16	TCP-2817	71-0233			SELECTOR SWITCH 3 POSN SPG RET CTR	1
15	TCP-3449	16-0042			MCB 16A TYPE D - DUAL POLE	1
14	TCP-2819	71-0237			TERMINAL BLOCK 12 WAY 21A 275V	2
13	TCP-2836	71-0242			MCB 6A TYPE D	1
12	TCP-3681	71-3681			220V RCD 25AMP 30MA TYPE AC	1
11	TCP-2837	71-0243			RELAY 2 POLE NO 230V COIL	1
10	TCP-2824	71-0238			HOUR COUNTER 230V	1
9	TCP-2818	71-0240			CHANGE OVER SWITCH 3 POLE 32A	1
8	TCP-2137	28-019			M25 CABLE GLAND	1
7	TCP-2108	71-0035			M20 CABLE GLAND WITH LOCKNUT	2
6	TCP-4081	71-4081			KLIPPON RAIL	1
5	TCP-4096-01	51-4107			RAIL and TERMINAL STRIP SUPPORT BRACKET	1
4	TCP-4096-2	51-4107			SUPPORT BRACKET	2
3	TCP-4095-01	51-4107			UPPER COVER - CONTROL BOX	1
2	TCP-4095-02	51-4107			LOWER COVER - CONTROL BOX	1
1	TCP-4094	51-4107			CONTROL BOX MK2	1

ITEM	DRG. No.	SCALE	STOCK No.	KIT	DESCRIPTION	QTY
38	47				CONTROL BOX ASSY - SIMPLIFIED - 110V IN - 230V OUT	1

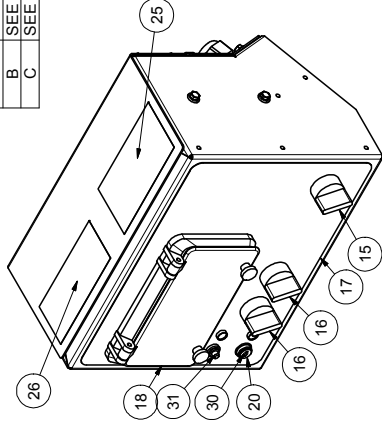
TAYLOR CONSTRUCTION PLANT LTD.
 GARDEN LANE, CHAFFERS CROSS, CHAFFERS CROSS, WALSLEY, WEST YORKSHIRE, LEA 4 3AA
 TEL: 01924 634333 FAX: 01924 634339
 WWW.TCP-ED.COM

FINISH: CLEAN & DEBURR

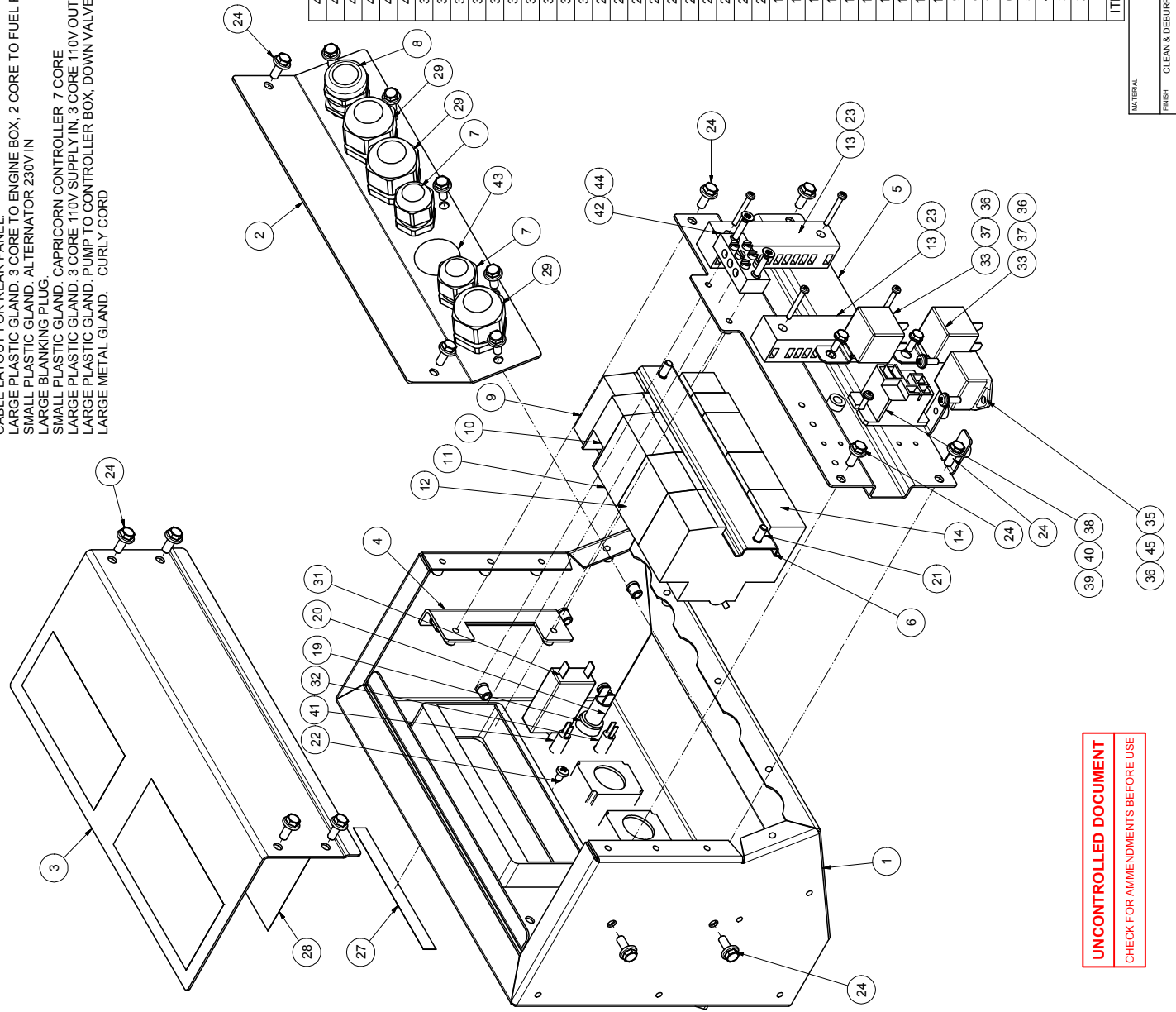
UNCONTROLLED DOCUMENT
 CHECK FOR AMENDMENTS BEFORE USE

DRG. No. TCP-4255-04 SA
 SHEET 1 OF 1
 IS-A-4255-04

ISS	DESCRIPTION	DATE
A	INITIAL ISSUE	01/07/2011
B	SEE DCA 00645	03/08/2011
C	SEE DCA 00665	22/11/2011



CABLE LAYOUT FOR REAR PANEL.
 LARGE PLASTIC GLAND. 3 CORE TO ENGINE BOX. 2 CORE TO FUEL PUMP
 SMALL PLASTIC GLAND. ALTERNATOR 230V IN
 SMALL PLASTIC GLAND.
 LARGE PLASTIC GLAND. CAPRICORN CONTROLLER 7 CORE
 LARGE PLASTIC GLAND. 3 CORE 110V SUPPLY IN. 3 CORE 110V OUT TO SOCKET
 LARGE PLASTIC GLAND. PUMP TO CONTROLLER BOX. DOWN VALVE. E STOP
 LARGE METAL GLAND. CURLY CORD



ITEM	DRG. No.	SCALE	TITLE	STOCK No.	KIT	DESCRIPTION	QTY
45	ISO 7045 - M4 x 12 - 4.8 - Z	01-0060	PAN HEAD SCREW - GRADE A			PAN HEAD SCREW - GRADE A	2
44	ISO 7046-1 - M4 x 20 - 4.8 - Z	01-0239	COUNTERSUNK CROSS HEAD SCREW			COUNTERSUNK CROSS HEAD SCREW	2
43	TCP-3683	03-0010	25mm BLANKING GROMMET			25mm BLANKING GROMMET	1
42	TCP-3687	71-3687	3 WAY DOUBLE SCREW TERMINAL BLOCK			3 WAY DOUBLE SCREW TERMINAL BLOCK	1
41	TCP-3663	70-3663	GREEN LED. W/O RESISTOR			GREEN LED. W/O RESISTOR	1
40	BS 4320 - M3 (Form A)	02-0017	BRIGHT METAL WASHER - METRIC SERIES			BRIGHT METAL WASHER - METRIC SERIES	2
39	ISO 7045 - M3 x 12 - 4.8 - Z	01-0031	PAN HEAD SCREW - GRADE A			PAN HEAD SCREW - GRADE A	2
38	TCP-3668	71-3668	HEXAGON HEAD SCREW			HEXAGON HEAD SCREW	1
37	ISO 4017 - M4 x 12	01-0049	BRIGHT METAL WASHER - METRIC SERIES			BRIGHT METAL WASHER - METRIC SERIES	2
36	BS 4320 - M4 (Form A)	02-0028	FAN FAIL CONTROLLER			FAN FAIL CONTROLLER	4
35	TCP-3664	70-3664	RELAY BASE			RELAY BASE	2
34	TCP-2832	71-0005	SOUNDER RELAY 12V			SOUNDER RELAY 12V	2
33	TCP-3695	71-0006	RED LED. W/O RESISTOR			RED LED. W/O RESISTOR	1
32	TCP-3666	70-3666	SWITCHABLE THERMAL FUSE, 15AMP			SWITCHABLE THERMAL FUSE, 15AMP	1
31	TCP-3662	71-3662	1 AMP FUSE CARTRIDGE			1 AMP FUSE CARTRIDGE	1
30	TCP-3442	71-0291	M25 INDEX CABLE GLAND WITH LOCKNUT			M25 INDEX CABLE GLAND WITH LOCKNUT	3
29	TCP-3445	71-3445	DECAL. TERMINAL INFORMATION MK2			DECAL. TERMINAL INFORMATION MK2	1
28	TCP-3669	80-3669	DECAL. RCD INFORMATION & TEST			DECAL. RCD INFORMATION & TEST	1
27	TCP-2321-02	80-0348	DECAL. DANGER FALLING HAZARD			DECAL. DANGER FALLING HAZARD	1
26	TCP-1098	80-0048	HEXAGON FLANGED BOLT			HEXAGON FLANGED BOLT	1
25	TCP-1093	80-0043	PAN HEAD SCREW - GRADE A			PAN HEAD SCREW - GRADE A	4
24	DIN 6921 - M5 x 12	01-0205	CROSS RECESSED PAN HEAD TAPPING SCREW			CROSS RECESSED PAN HEAD TAPPING SCREW	6
23	ISO 7045 - M3 x 25 - 4.8 - Z	01-0168	PAN HEAD SCREW - GRADE A			PAN HEAD SCREW - GRADE A	2
22	ISO 7049 - S1 4.2 x 9.5 - C - Z	01-0058	PAN HEAD SCREW - GRADE A			PAN HEAD SCREW - GRADE A	6
21	ISO 7045 - M5 x 12 - 4.8 - Z	01-0083	FUSE HOLDER SLOTTED IP67			FUSE HOLDER SLOTTED IP67	1
20	TCP-2822	71-0234	SPACER, FUSE HOLDER			SPACER, FUSE HOLDER	1
19	TCP-2268	70-0091	DECAL. CONTROL PANEL, FAN FAIL			DECAL. CONTROL PANEL, FAN FAIL	1
18	TCP-3002	71-0287	SELECTOR SWITCH 2 POSITION			SELECTOR SWITCH 2 POSITION	2
17	TCP-4254	80-4254	PROTECTIVE WINDOW COVER 8 WAY - GREY			PROTECTIVE WINDOW COVER 8 WAY - GREY	1
16	TCP-2815	71-0232	SELECTOR SWITCH 3 POSN SPG RET CTR			SELECTOR SWITCH 3 POSN SPG RET CTR	1
15	TCP-2817	71-0233	MCB 16A TYPE D - DUAL POLE			MCB 16A TYPE D - DUAL POLE	1
14	TCP-3449	16-0042	TERMINAL BLOCK 12 WAY 21A 275V			TERMINAL BLOCK 12 WAY 21A 275V	2
13	TCP-2819	71-0237	MCB 6A TYPE D - DUAL POLE			MCB 6A TYPE D - DUAL POLE	1
12	TCP-3087	71-0301	220V RCCB 25AMP 30MA TYPE A			220V RCCB 25AMP 30MA TYPE A	1
11	TCP-3679	71-3679	RELAY 2 POLE NO 230V COIL			RELAY 2 POLE NO 230V COIL	1
10	TCP-2837	71-0243	HOUR COUNTER 230V			HOUR COUNTER 230V	1
9	TCP-2824	71-0238	M25 CABLE GLAND			M25 CABLE GLAND	1
8	TCP-2137	28-019	M20 CABLE GLAND WITH LOCKNUT			M20 CABLE GLAND WITH LOCKNUT	1
7	TCP-2108	71-0035	KLIPPON RAIL			KLIPPON RAIL	2
6	TCP-4081	71-4081	RAIL and TERMINAL STRIP SUPPORT BRACKET			RAIL and TERMINAL STRIP SUPPORT BRACKET	1
5	TCP-4096-01	51-4107	SUPPORT BRACKET			SUPPORT BRACKET	2
4	TCP-4096-2	51-4107	UPPER COVER - CONTROL BOX			UPPER COVER - CONTROL BOX	1
3	TCP-4096-01	51-4107	LOWER COVER - CONTROL BOX			LOWER COVER - CONTROL BOX	1
2	TCP-4095-02	51-4107	CONTROL BOX MK2			CONTROL BOX MK2	1
1	TCP-4094	51-4107	CONTROL BOX MK2			CONTROL BOX MK2	1

ITEM	DRG. No.	SCALE	TITLE	STOCK No.	KIT	DESCRIPTION	QTY
		1:2	CONTROL BOX ASSY - SIMPLIFIED - DOUBLE POLE			CONTROL BOX ASSY - SIMPLIFIED - DOUBLE POLE	

TAYLOR CONSTRUCTION PLANT LTD.
 GARDEN LANE, WALSLEY, WEST YORKSHIRE, LEA 15 8JQ
 TEL: 01924 618484 WWW.TCP.CO.UK

SCALE: 1:2
 DIMENSIONS IN MM
 FINISH: CLEAN & DEBURR

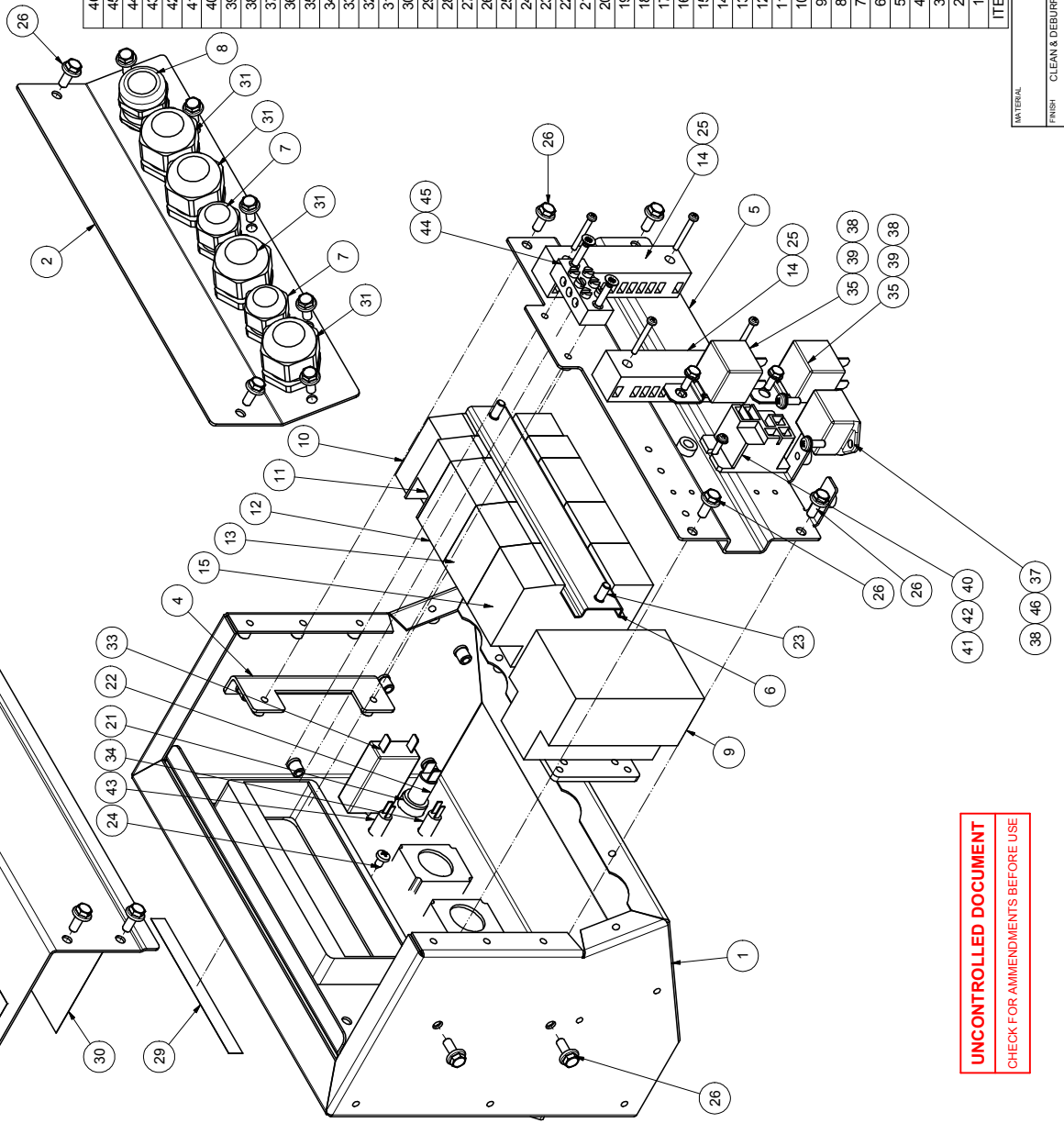
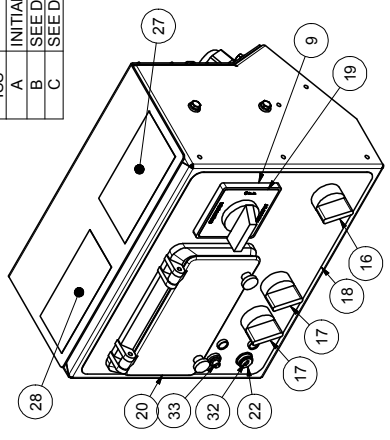
DATE: 08/07/2011
 DRAWN: CR
 CHECKED: [Signature]

DRG. No. TCP-4255-05 SA
 SHEET 1 OF 1
 ISOCKING
 SA-4255-05

UNCONTROLLED DOCUMENT
 CHECK FOR AMENDMENTS BEFORE USE

ISS	DESCRIPTION	DATE
A	INITIAL ISSUE	01/07/2011
B	SEE DCA 00645	03/08/2011
C	SEE DCA 00665	22/11/2011

CABLE LAYOUT FOR REAR PANEL.
 LARGE PLASTIC GLAND. 3 CORE TO ENGINE BOX. 2 CORE TO FUEL PUMP
 SMALL PLASTIC GLAND. ALTERNATOR 230V IN
 LARGE PLASTIC GLAND. INLET SOCKET. 3 CORE
 SMALL PLASTIC GLAND. CAPRICORN CONTROLLER. 7 CORE
 LARGE PLASTIC GLAND. OUTLET SOCKET. 3 CORE
 LARGE PLASTIC GLAND. PUMP TO CONTROLLER BOX. DOWN VALVE. E STOP
 LARGE METAL GLAND. CURLY CORD



ITEM	DRG. NO.	SCALE	STOCK NO.	KIT	DESCRIPTION	QTY
46	ISO 7045 - M4 x 12 - 4.8 - Z	01-0060			PAN HEAD SCREW - GRADE A	2
45	ISO 7046-1 - M4 x 20 - 4.8 - Z	01-0239			COUNTERSUNK CROSS HEAD SCREW	2
44	TCP-3667	71-3667			3 WAY DOUBLE SCREW TERMINAL BLOCK	1
43	TCP-3663	70-3663			GREEN LED, W/O RESISTOR	1
42	BS 4320 - M3 (Form A)	02-0017			BRIGHT METAL WASHER - METRIC SERIES	2
41	ISO 7045 - M3 x 12 - 4.8 - Z	01-0031			PAN HEAD SCREW - GRADE A	1
40	TCP-3668	71-3668			POWER RELAY T9A	1
39	ISO 4017 - M4 x 12	01-0049			HEXAGON HEAD SCREW	2
38	BS 4320 - M4 (Form A)	02-0028			BRIGHT METAL WASHER - METRIC SERIES	4
37	TCP-3664	70-3664			FAN FAIL CONTROLLER	1
36	TCP-2832	71-0005			RELAY BASE	2
35	TCP-3695	71-0006			SOUNDER RELAY 12V	2
34	TCP-3666	70-3666			RED LED, W/O RESISTOR	1
33	TCP-3662	71-3662			SWITCHABLE THERMAL FUSE, 15AMP	1
32	TCP-3442	71-0291			1 AMP FUSE CARTRIDGE	1
31	TCP-3445	71-3445			M25 INDEX CABLE GLAND WITH LOCKNUT	4
30	TCP-3669	80-3669			DECAL, TERMINAL INFORMATION MK2	1
29	TCP-2321-02	80-0348			DECAL, RDC MCB RELAY	1
28	TCP-1098	80-0048	SA-2998		DECAL, RCD INFORMATION & TEST	1
27	TCP-1093	80-0043	SA-2998		DECAL, DANGER FALLING HAZARD	1
26	DIN 6921 - M5 x 12	01-0205			HEXAGON FLANGED BOLT	19
25	ISO 7045 - M3 x 25 - 4.8 - Z	01-0168			PAN HEAD SCREW - GRADE A	4
24	ISO 7049 - ST 4.2 x 9.5 - C - Z	01-0058			CROSS RECESSED PAN HEAD TAPPING SCREW	6
23	ISO 7045 - M5 x 12 - 4.8 - Z	01-0083			PAN HEAD SCREW - GRADE A	2
22	TCP-2822	71-0234			FUSE HOLDER SLOTTED IP67	1
21	TCP-2268	70-0091			SPACER, FUSE HOLDER	1
20	TCP-3002	71-0287			PROTECTIVE WINDOW COVER 8 WAY - GREY	1
19	TCP-4106	80-4106			DECAL, CHANGEOVER SWITCH	1
18	TCP-4254	80-4254			DECAL, CONTROL PANEL, FAN FAIL	1
17	TCP-2815	71-0232			SELECTOR SWITCH 2 POSITION	2
16	TCP-2817	71-0233			SELECTOR SWITCH 3 POSN SPG RET CTR	1
15	TCP-3449	16-0042			MCB 16A TYPE D - DUAL POLE	1
14	TCP-2819	71-0237			TERMINAL BLOCK 12 WAY 21A 275V	2
13	TCP-3087	71-0301			MCB 6A TYPE D - DUAL POLE	1
12	TCP-3679	71-3679			220V RCCB 25AMP 30MA TYPE A	1
11	TCP-2837	71-0243			RELAY 2 POLE NO 230V COIL	1
10	TCP-2824	71-0238			HOURLY COUNTER 230V	1
9	TCP-2818	71-0240			CHANGEOVER SWITCH 3 POLE 32A	1
8	TCP-2137	28-019			M25 CABLE GLAND	1
7	TCP-2108	71-0035			M20 CABLE GLAND WITH LOCKNUT	2
6	TCP-4081	71-4081			KLIPPON RAIL	1
5	TCP-4096-01	51-4107			RAIL and TERMINAL STRIP SUPPORT BRACKET	1
4	TCP-4096-2	51-4107			SUPPORT BRACKET	2
3	TCP-4095-01	51-4107			UPPER COVER - CONTROL BOX	1
2	TCP-4095-02	51-4107			LOWER COVER - CONTROL BOX	1
1	TCP-4094	51-4107			CONTROL BOX Mk2	1

FINISH	MATERIAL	SCALE	DRG. NO.	STOCK NO.	KIT	DESCRIPTION	QTY
CLEAN & DEBURR		1:2				CONTROL BOX ASSY - SIMPLIFIED - D POLE - WITH CHANGEOVER	1

TAYLOR CONSTRUCTION PLANT LTD.
 GARDEN LEAS, CHAFFIN WOOD, WIDEN, HANTS RG26 2AA
 TEL: 44(0)1493 818339
 WWW.TCP-ED.COM

DATE: 08/07/2011
 CHECKED: []

DRG. NO.: TCP-4255-08 SA
 SHEET 1 OF 1
 ISOCKING: SA-4255-06

THRU HOLE

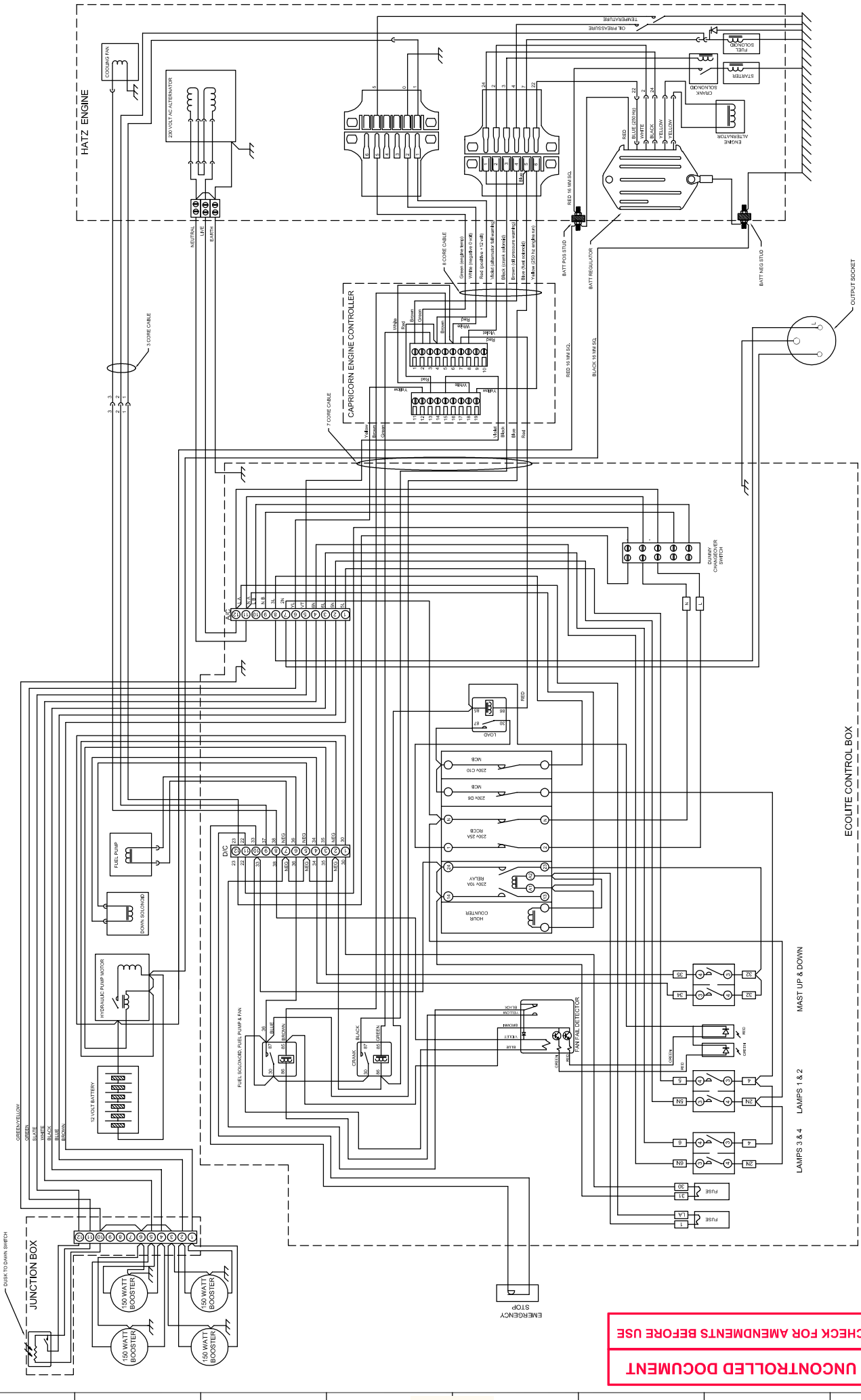
UNCONTROLLED DOCUMENT
 CHECK FOR AMENDMENTS BEFORE USE

ECOLITE-T
SCHEMATICS
Version - 2

THIS DRAWING IS THE PROPERTY OF TAYLOR CONSTRUCTION PLANT LTD. AND MUST NOT BE COPIED, REPRODUCED OR DISCLOSED EXCEPT AS AUTHORISED IN WRITING BY TAYLOR CONSTRUCTION PLANT LTD. © 2009

TAYLOR CONSTRUCTION PLANT LTD. RESERVE THE RIGHT TO CHANGE PRODUCTS & SPECIFICATIONS WITHOUT PRIOR NOTICE.

DWG No. TCP-4255-01 SD



UNCONTROLLED DOCUMENT
CHECK FOR AMENDMENTS BEFORE USE

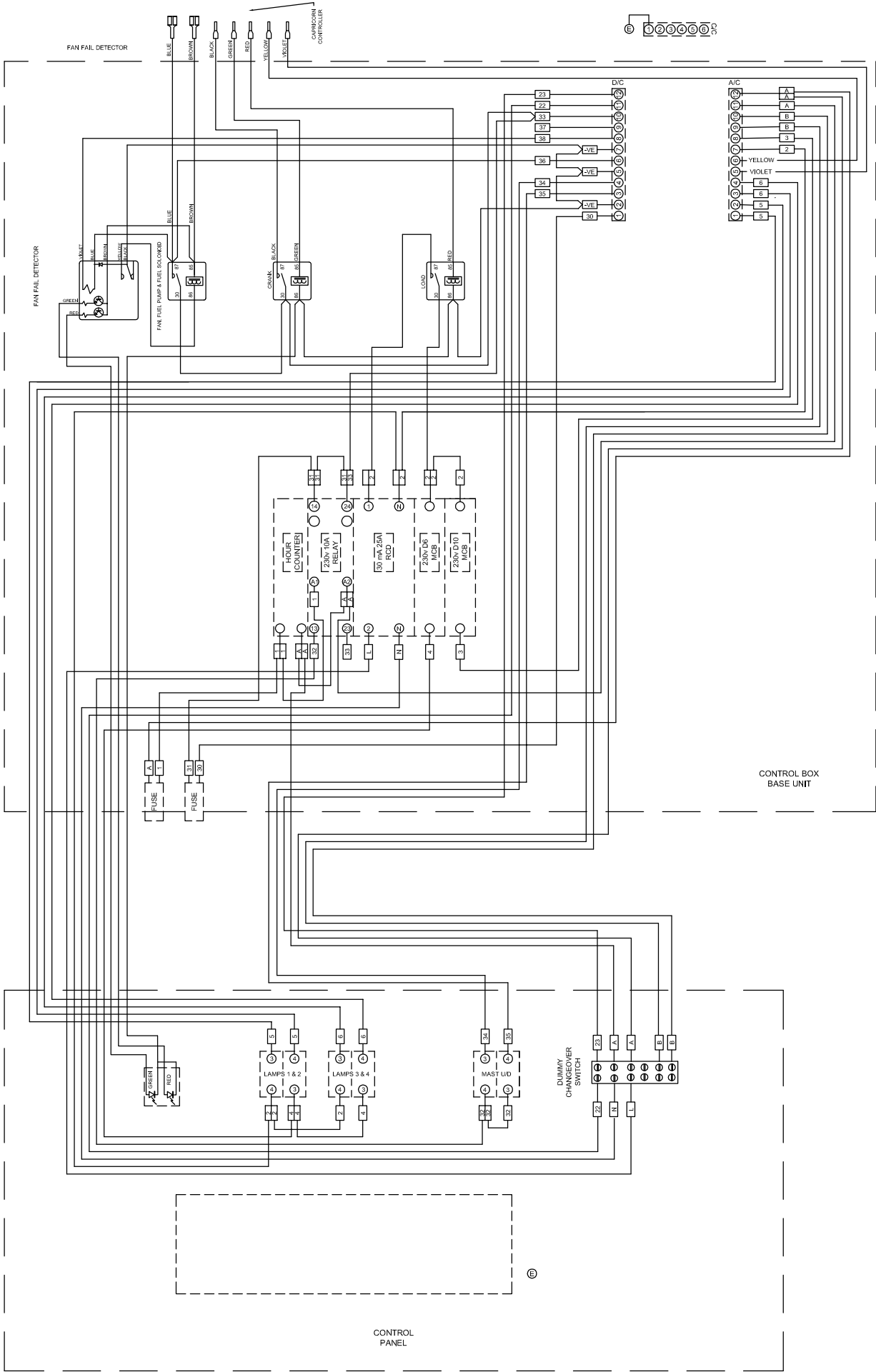
ISS	DESCRIPTION	CHKD	DATE	ISS	DATE	CHKD	DATE	DESCRIPTION
A	INITIAL ISSUE		07/11					

TAYLOR CONSTRUCTION PLANT LTD. QUAYSIDE PARK, BATES ROAD, MALDON, ESSEX, CM9 5FA TEL: 441621 650777 FAX: 441621 943330 WWW.TCP.EU.COM	TITLE: SCHEMATIC, CAPRICORN CONTROL 230 VOLT OUT. ECOLITE-T & P DWG No. TCP-4255-01 SD Sht. 1 of 1
---	--

DRN	LSV	CHKD	APPD	DATE
				18.07.2011

THIS DRAWING IS THE PROPERTY OF TAYLOR CONSTRUCTION PLANT LTD. AND MUST NOT BE COPIED, REPRODUCED OR DISCLOSED EXCEPT AS AUTHORISED IN WRITING BY TAYLOR CONSTRUCTION PLANT LTD. © 2009

TAYLOR CONSTRUCTION PLANT LTD. RESERVE THE RIGHT TO CHANGE PRODUCTS & SPECIFICATIONS WITHOUT PRIOR NOTICE.

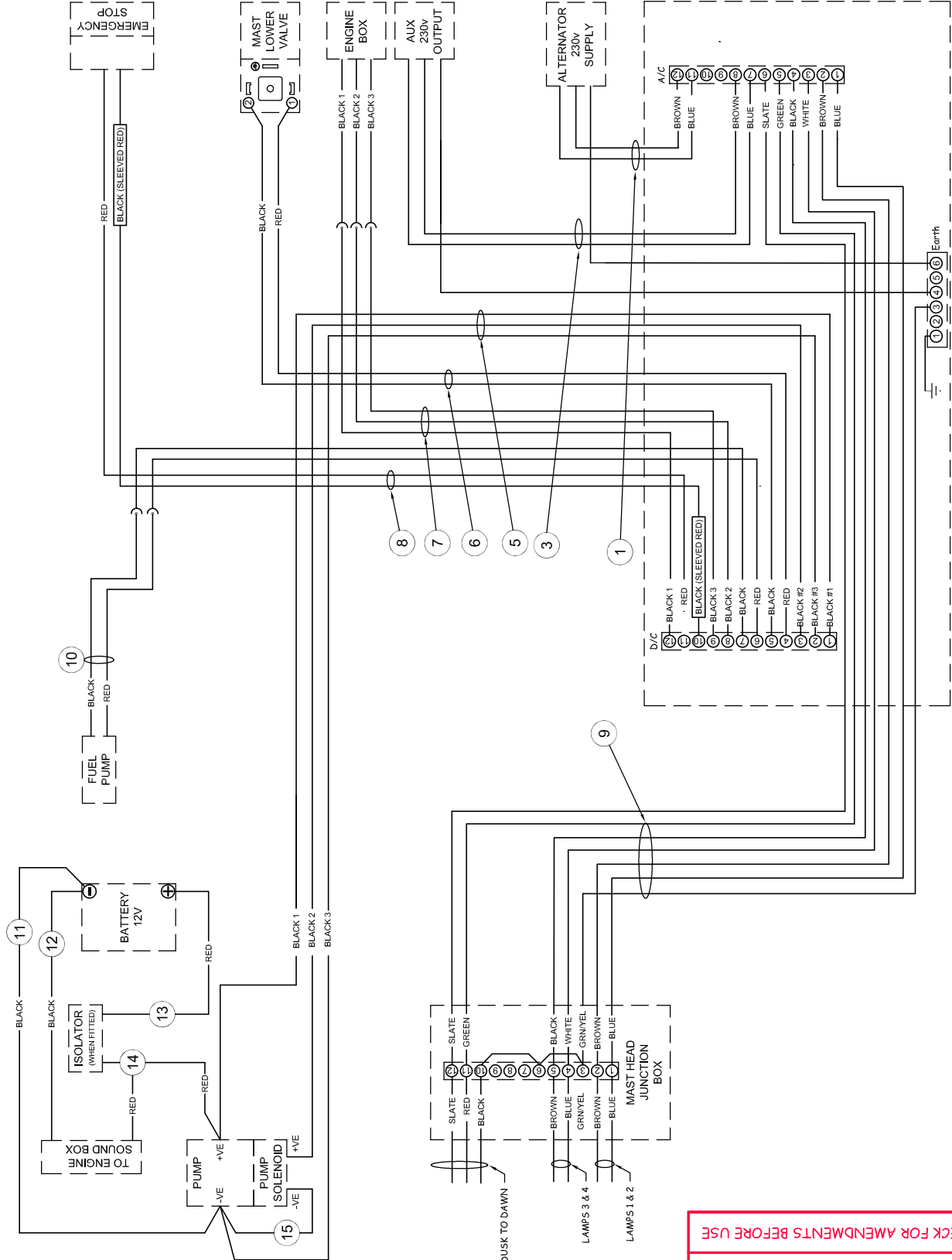


UNCONTROLLED DOCUMENT
CHECK FOR AMENDMENTS BEFORE USE

USED IN CONJUNCTION WITH TCP-4255-01 SA

ISS		DESCRIPTION		CHKD		DATE		ISS		DESCRIPTION		CHKD		DATE	
A		INITIAL ISSUE		07/11											
B		SEE DCA 00646		08/11											
DRN		LSV		CHKD		APPD		DATE		14.07.2011					
TITLE: ECOLITE CONTROL BOX INTERNAL CABLE IDENTIFICATION								Sht. 1 of 2							
DWG No. TCP-4255-01 WS															

TAYLOR CONSTRUCTION PLANT LTD.
QUAYSIDE PARK, BATES ROAD,
MALDON, ESSEX, CM6 5FA
TEL:+441621 550777 FAX:+441621 943390
WWW.TCP.EU.COM



Item	Drwg No.	Shk. No.	Core Colours
1	2.5mm ² 3 CORE	71-0062	GE/YE-BN-BU
2	2.5mm ² 3 CORE	71-0062	GE/YE-BN-BU
3	2.5mm ² 3 CORE	71-0062	GE/YE-BN-BU
4	2.5mm ² 3 CORE	71-0062	GE/YE-BN-BU
5**	2.5mm ² 3 CORE	71-0349	BK Numbered
6	1.5mm ² 2 CORE	71-0347	RD-BK
7**	1.5mm ² 3 CORE	71-0349	BK Numbered
8	2.5mm ² 2 CORE	71-0348	RD-BK
9	CURLY CORD	71-0273	-
10	1.5mm ² 2 CORE	71-0347	RD-BK
11	16mm ² 1 CORE	73-3073	BK
12	16mm ² 1 CORE	73-3071	BK
13	16mm ² 1 CORE	73-3070	RD
14	16mm ² 1 CORE	73-3072	RD
15	2.5mm ² 1 CORE	73-0031	RD
16	1.5mm ² 2 CORE	71-0347	RD-BK
17	1.5mm ² 2 CORE	71-0347	RD-BK

NOTE:
CABLE No. 5 & 7 ARE SPECIAL SIGNAL CABLE.
i.e. THE 3 INNER CORES ARE BLACK & NUMBERED

UNCONTROLLED DOCUMENT
CHECK FOR AMENDMENTS BEFORE USE

USED IN CONJUNCTION WITH TCP-4255-01 SA

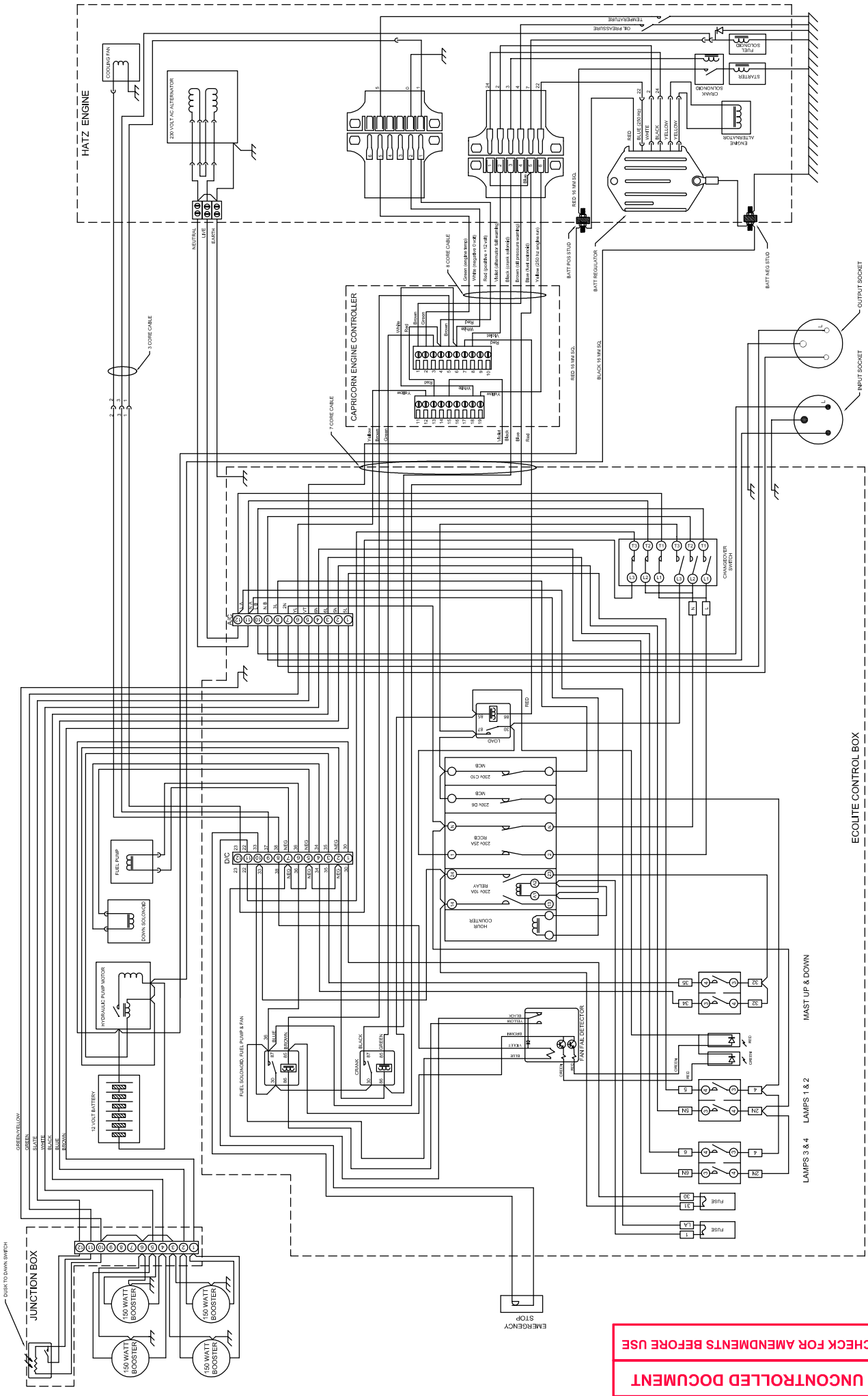
ISS	DESCRIPTION	CHK'D	DATE	ISS	DESCRIPTION	CHK'D	DATE
B	SEE DCA 00646		08/11				
A	INITIAL ISSUE		07/11				

TAYLOR CONSTRUCTION PLANT LTD. QUAYSIDE PARK, BATES ROAD, MILDON, ESSEX, CM9 5FA TEL+441621 850777 FAX+441621 843330 WWW.TCP.EU.COM		TITLE: ECOLITE CONTROL BOX EXTERNAL CABLE IDENTIFICATION		DRN LSV
DWG No. TCP-4255-01 WS		Sht. 2 of 2		CHK'D
				APP'D
				DATE
				18.07.2011

THIS DRAWING IS THE PROPERTY OF TAYLOR CONSTRUCTION PLANT LTD. AND MUST NOT BE COPIED, REPRODUCED OR DISCLOSED EXCEPT AS AUTHORISED IN WRITING BY TAYLOR CONSTRUCTION PLANT LTD. © 2009

TAYLOR CONSTRUCTION PLANT LTD. RESERVE THE RIGHT TO CHANGE PRODUCTS & SPECIFICATIONS WITHOUT PRIOR NOTICE.

DWG No. TCP-4255-02 SD

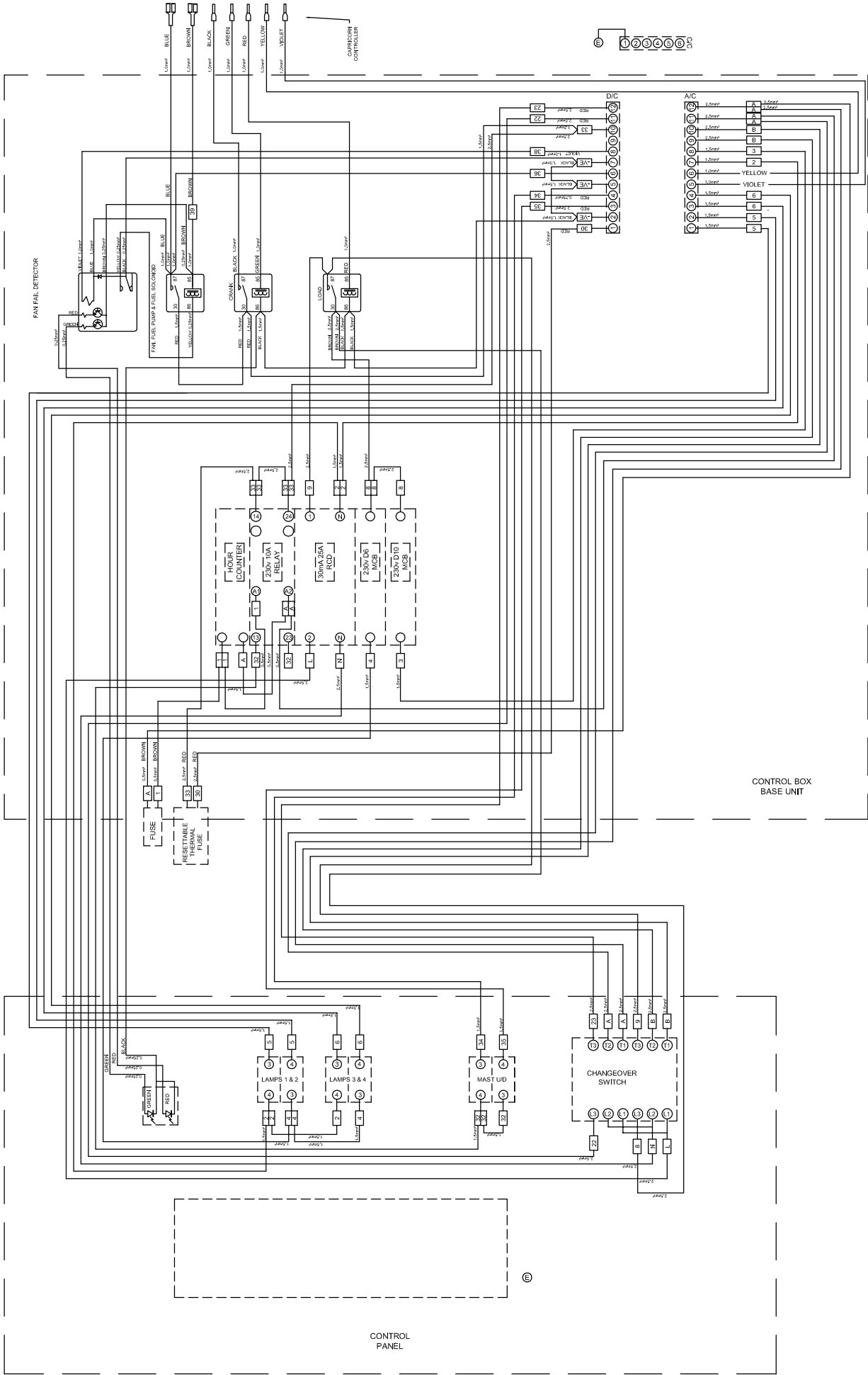


UNCONTROLLED DOCUMENT
CHECK FOR AMENDMENTS BEFORE USE

ISS	DESCRIPTION	CHKD	DATE	ISS	DESCRIPTION	CHKD	DATE
B	SEE DCA 00672		12/11				
A	INITIAL ISSUE		07/11				

DESCRIPTION	D	E	F	G	H
LAMPS 3 & 4					
LAMPS 1 & 2					
MAST UP & DOWN					
ECOLITE CONTROL BOX					
CHANGEOVER SWITCH					
230V AC ALTERNATOR					
FUEL SOLENOID					
STARTER					
230V AC ALTERNATOR					
BATTERY REGULATOR					
CAPRICORN ENGINE CONTROLLER					
230V AC ALTERNATOR					
FUEL SOLENOID					
FUEL PUMP					
HYDRAULIC PUMP MOTOR					
FUEL SOLENOID FUEL PUMP FAN					
12 VOLT BATTERY					
JUNCTION BOX					

TITLE:	DRN	LSV
SCHEMATIC, CAPRICORN CONTROL		
230 VOLT IN / OUT. ECOLITE-T & P	CHKD	
DWG No. TCP-4255-02 SD	APPD	
Sht. 1 of 1	DATE	11.07.2011

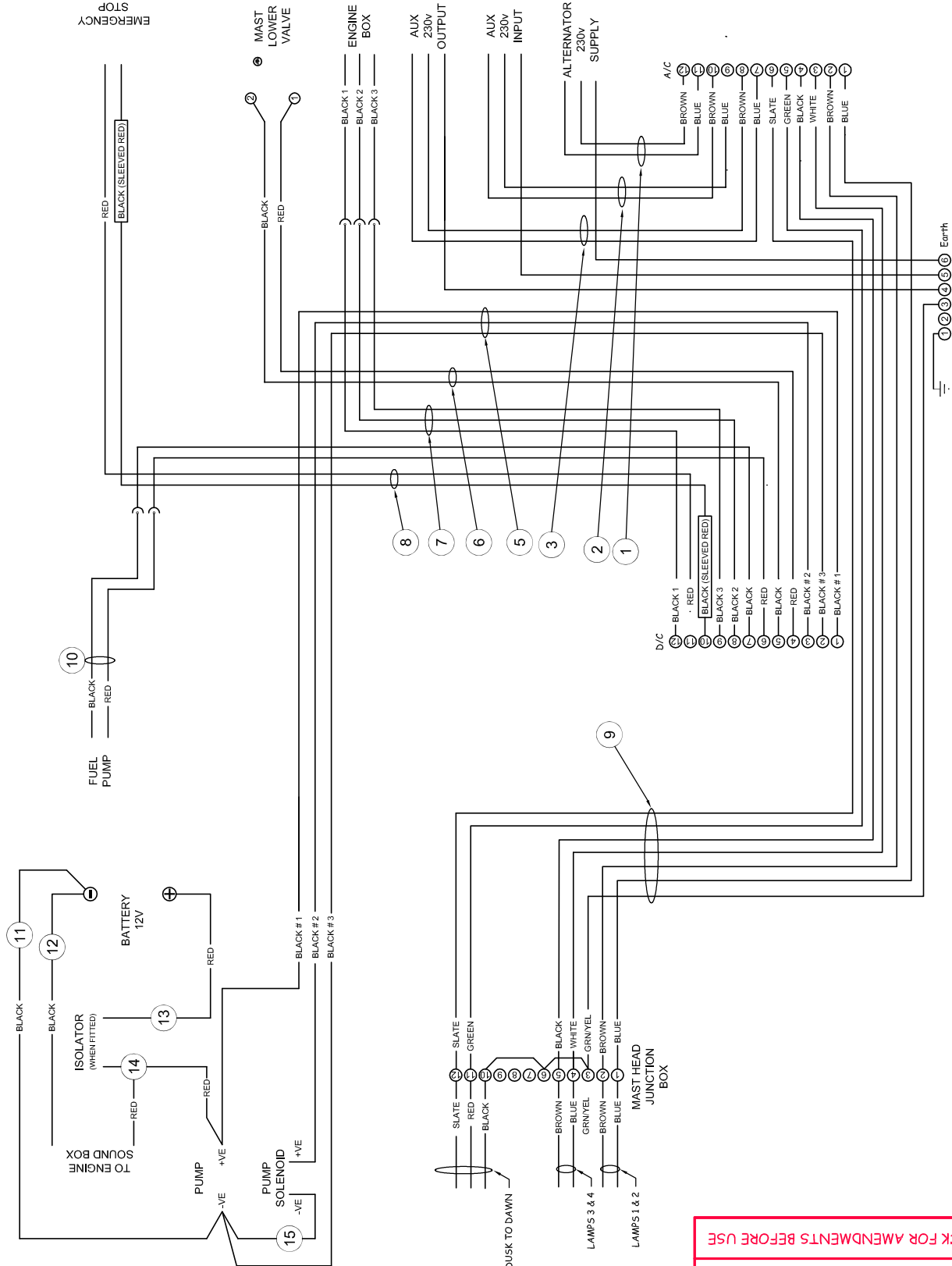


UNCONTROLLED DOCUMENT
CHECK FOR AMENDMENTS BEFORE USE

USED IN CONJUNCTION WITH TCP-4255-02 SA

ISS	DESCRIPTION	DATE	ISS	DESCRIPTION	DATE	CHKD.	DATE
D	SEE DCA 00672	12/11					
C	SEE DCA 00687	11/11					
B	SEE DCA 00646	08/11					
A	INITIAL ISSUE	07/11					

TITLE: ECOLITE CONTROL BOX INTERNAL CABLE IDENTIFICATION	DRN LSV
DWG No. TCP-4255-02 WS	CHKD
Sht. 1 of 2	APPD
	DATE
	19.07.2011



UNCONTROLLED DOCUMENT
CHECK FOR AMENDMENTS BEFORE USE

NOTE:
CABLE No. 5 & 7 ARE SPECIAL SIGNAL CABLE.
i.e. THE 3 INNER CORES ARE BLACK & NUMBERED

Item	Drwg No.	Stk. No.	Core Colours
1	2.5mm ² 3 CORE		GE/YE-BN-BU
2	2.5mm ² 3 CORE		GE/YE-BN-BU
3	2.5mm ² 3 CORE		GE/YE-BN-BU
4	N/A		
5**	2.5mm ² 3 CORE		BK Numbered
6	1.5mm ² 2 CORE		RD-BK
7**	2.5mm ² 3 CORE		BK Numbered
8	2.5mm ² 2 CORE		RD-BK
9	CURLY CORD		MULTI COLOUR
10	1.5mm ² 2 CORE		RD-BK
11	1.5mm ² 1 CORE		BK
12	1.5mm ² 1 CORE		BK
13	1.5mm ² 1 CORE		RD
14	1.5mm ² 1 CORE		RD
15	2.5mm ² 1 CORE		RD

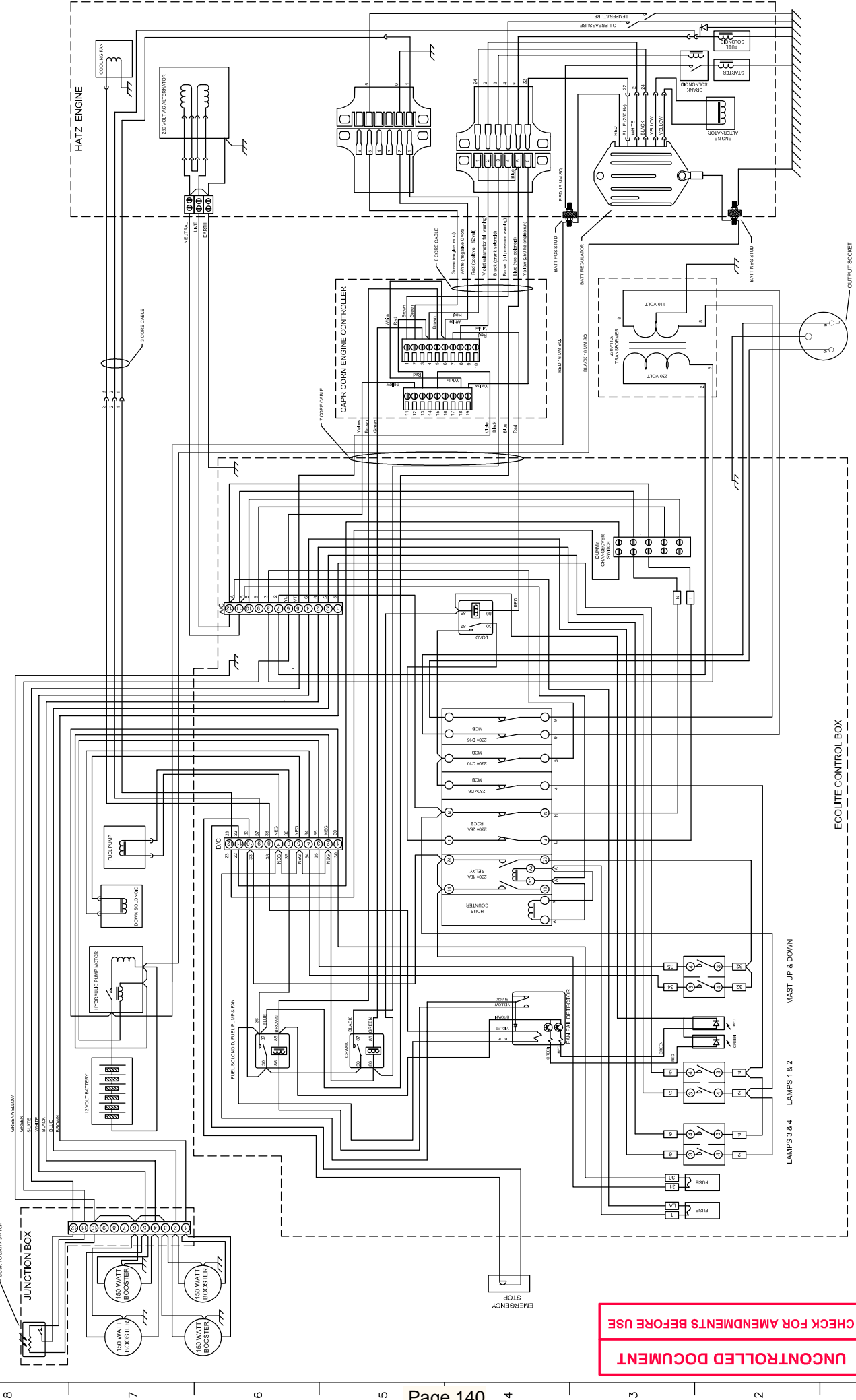
USED IN CONJUNCTION WITH TCP-4255-02 SA

ISS	DESCRIPTION	CHK'D	DATE	ISS	DESCRIPTION	CHK'D	DATE
D	SEE DCA 00672		12/11				
C	SEE DCA 00667		11/11				
B	SEE DCA 00646		08/11				
A	INITIAL ISSUE		07/11				

TAYLOR CONSTRUCTION PLANT LTD. QUAYSIDE PARK, BATES ROAD, MILDON, ESSEX, CM9 5FA TEL+441621 850777 FAX+441621 843330 WWW.TCP.EU.COM		TITLE: ECOLITE CONTROL BOX EXTERNAL CABLE IDENTIFICATION		DRN LSV
DWG No. TCP-4255-02 WS		Sht. 2 of 2		CHK'D
				APP'D
				DATE
				14.07.2011

THIS DRAWING IS THE PROPERTY OF TAYLOR CONSTRUCTION PLANT LTD. AND MUST NOT BE COPIED, REPRODUCED OR DISCLOSED EXCEPT AS AUTHORISED IN WRITING BY TAYLOR CONSTRUCTION PLANT LTD. © 2009

TAYLOR CONSTRUCTION PLANT LTD. RESERVE THE RIGHT TO CHANGE PRODUCTS & SPECIFICATIONS WITHOUT PRIOR NOTICE.



UNCONTROLLED DOCUMENT
CHECK FOR AMENDMENTS BEFORE USE

ISS	DESCRIPTION	CHKD	DATE	ISS	DATE	DESCRIPTION	CHKD	DATE
A	INITIAL ISSUE		07/11					

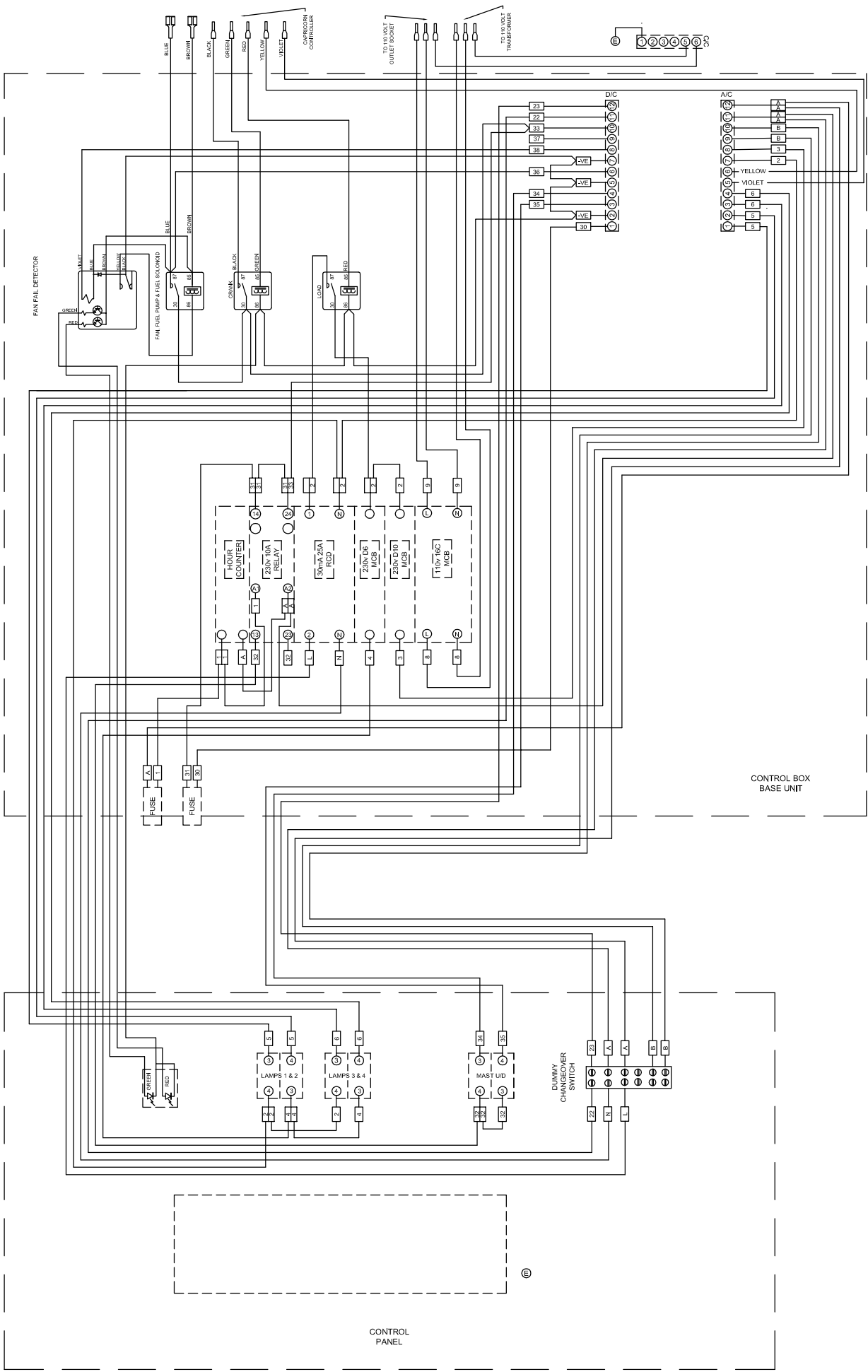
TAYLOR CONSTRUCTION PLANT LTD. QUAYSIDE PARK, BATES ROAD, MALDON, ESSEX, CM9 5FA TEL: +441621 650777 FAX: +441621 943330 WWW.TCP.EU.COM	TITLE: SCHEMATIC, CAPRICORN CONTROL 110 V OUT. ECOLITE-T & P DWG No. TCP-4255-03 SD Sht. 1 of 1
---	--

DRN LSV	CHKD	APPD	DATE
			18.07.2011

THIS DRAWING IS THE PROPERTY OF TAYLOR CONSTRUCTION PLANT LTD. AND MUST NOT BE COPIED REPRODUCED OR DISCLOSED EXCEPT AS AUTHORIZED IN WRITING BY TAYLOR CONSTRUCTION PLANT LTD. © 2009

TAYLOR CONSTRUCTION PLANT LTD. RESERVE THE RIGHT TO CHANGE PRODUCTS & SPECIFICATIONS WITHOUT PRIOR NOTICE.

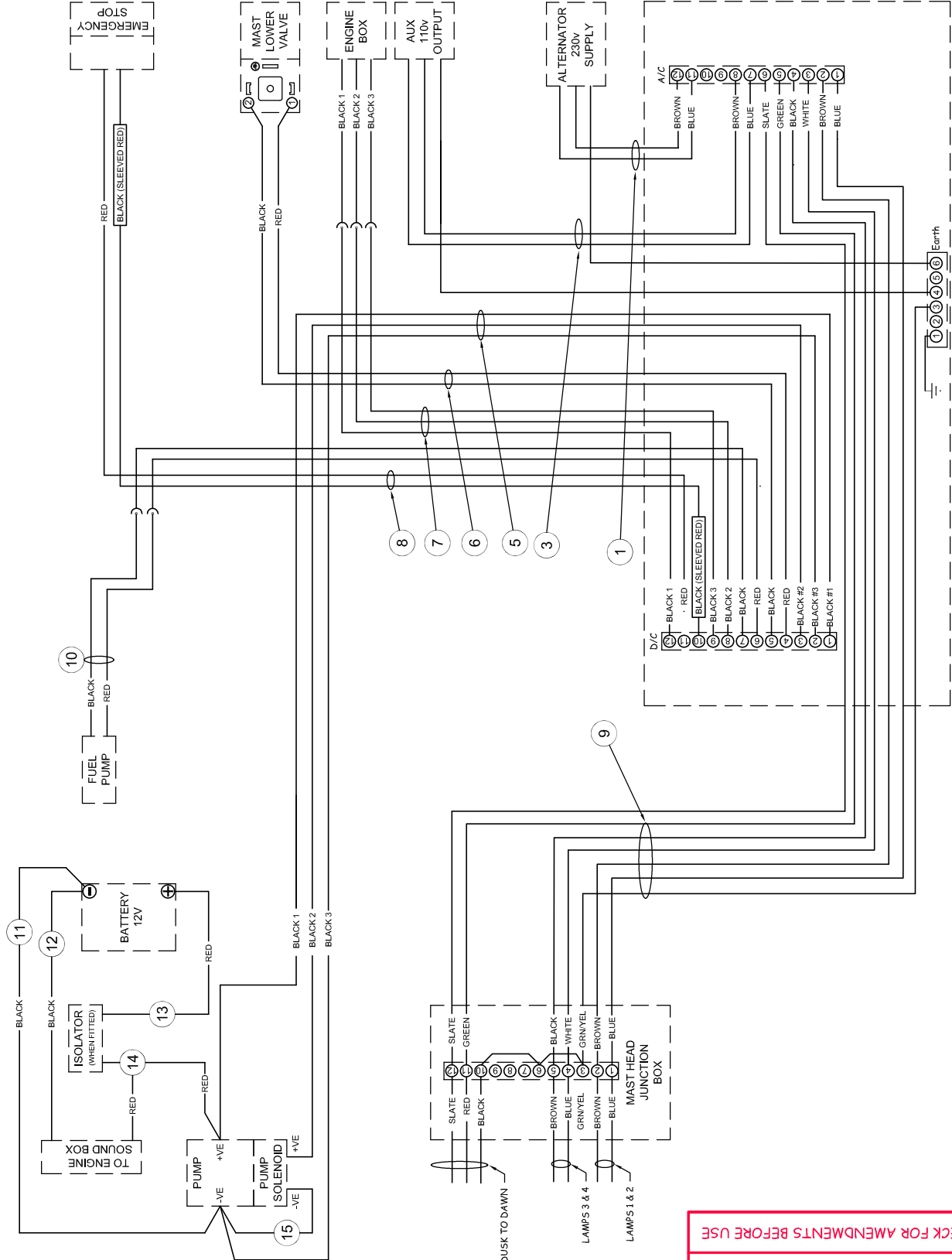
DWG No. TCP-4255-03 WS



UNCONTROLLED DOCUMENT
CHECK FOR AMENDMENTS BEFORE USE

USED INCONJUNCTION WITH TCP-4255-03 SA

ISS		DESCRIPTION		DATE		ISS		DESCRIPTION		DATE		CHKD.		DATE	
A		INITIAL ISSUE		07/11											
B		SEE DCA 00646		08/11											
DRN		LSV		CHKD		APPD		DATE		DATE		DRN		LSV	
1		2		3		4		5		6		7		8	
TAYLOR CONSTRUCTION PLANT LTD. QUAYSIDE PARK, BATES ROAD, MALDON, ESSEX, CM6 5FA TEL: +441621 650777 FAX: +441621 943390 WWW.TCP.EU.COM															
TITLE: ECOLITE CONTROL BOX INTERNAL CABLE IDENTIFICATION										Sht. 1 of 2		G		H	
DWG No. TCP-4255-03 WS															



Item	Drwg No.	Shk. No.	Core Colours
1	2.5mm ² 3 CORE	71-0062	GE/YE-BN-BU
2	2.5mm ² 3 CORE	71-0062	GE/YE-BN-BU
3	2.5mm ² 3 CORE	71-0349	BK Numbered
4	2.5mm ² 3 CORE	71-0347	RD-BK
5**	1.5mm ² 2 CORE	71-0349	BK Numbered
6	1.5mm ² 2 CORE	71-0347	RD-BK
7**	1.5mm ² 3 CORE	71-0349	BK Numbered
8	1.5mm ² 2 CORE	71-0348	RD-BK
9	CURLY CORD	71-0273	-
10	1.5mm ² 2 CORE	71-0347	RD-BK
11	1.5mm ² 1 CORE	73-3073	BK
12	1.5mm ² 1 CORE	73-3071	BK
13	1.5mm ² 1 CORE	73-3070	RD
14	1.5mm ² 1 CORE	73-3072	RD
15	2.5mm ² 1 CORE	73-0031	RD
16	1.5mm ² 2 CORE	71-0347	RD-BK
17	1.5mm ² 2 CORE	71-0347	RD-BK

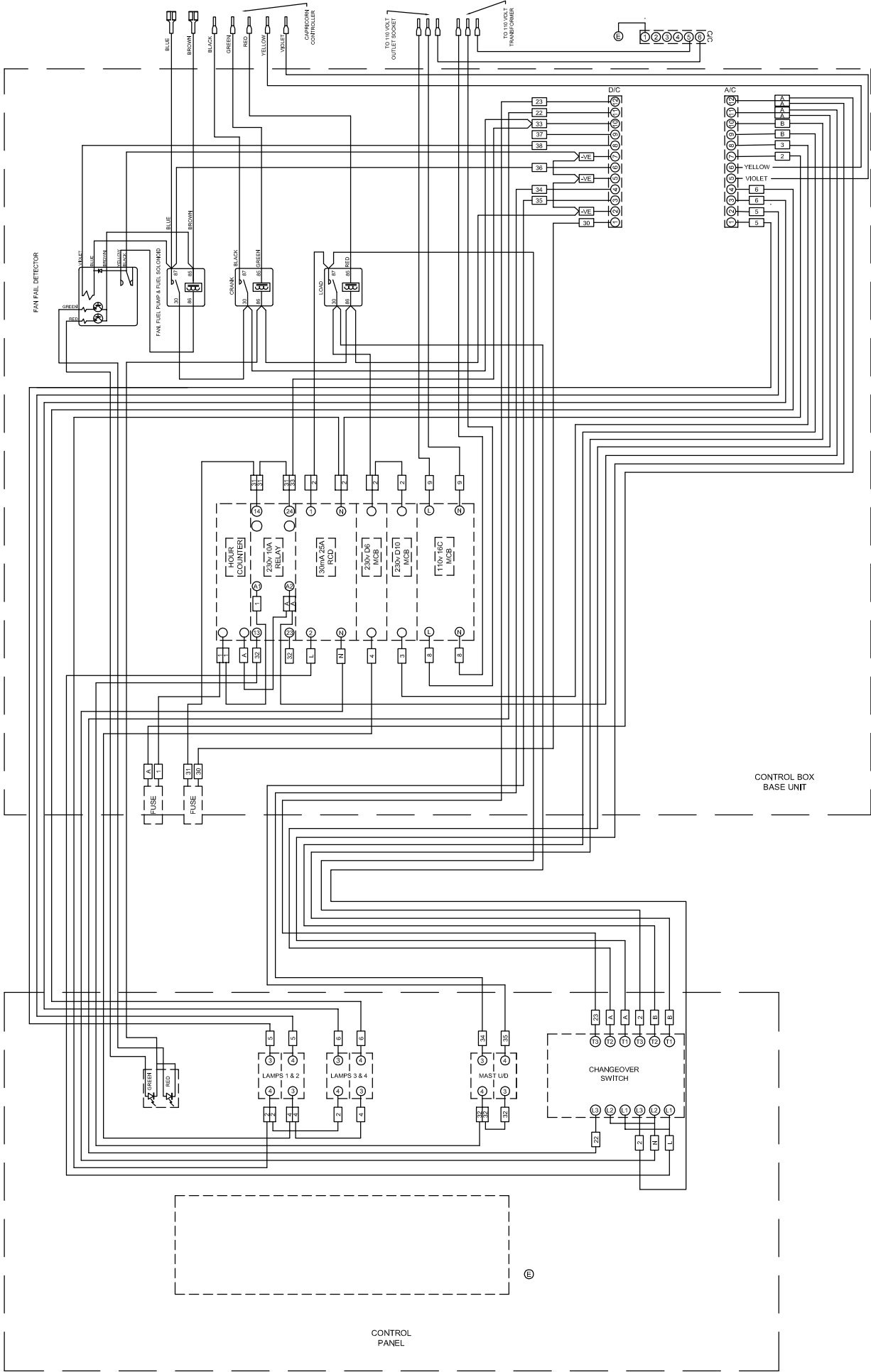
NOTE:
CABLE No. 5 & 7 ARE SPECIAL SIGNAL CABLE.
i.e. THE 3 INNER CORES ARE BLACK & NUMBERED

UNCONTROLLED DOCUMENT
CHECK FOR AMENDMENTS BEFORE USE

USED IN CONJUNCTION WITH TCP-4255-03 SA

ISS	DESCRIPTION	CHK'D	DATE	ISS	DESCRIPTION	CHK'D	DATE
B	SEE DCA 00646		08/11				
A	INITIAL ISSUE		07/11				

TAYLOR CONSTRUCTION PLANT LTD. QUAYSIDE PARK, BATES ROAD, MILDON, ESSEX, CM9 5FA TEL+441621 850777 FAX+441621 843330 WWW.TCP.EU.COM		TITLE: ECOLITE CONTROL BOX EXTERNAL CABLE IDENTIFICATION		DRN LSV
DWG No. TCP-4255-03 WS		Sht. 2 of 2		CHK'D
				APP'D
				DATE
				18.07.2011



UNCONTROLLED DOCUMENT
CHECK FOR AMENDMENTS BEFORE USE

USED INCONJUNCTION WITH TCP-4255-04 SA

ISS	DESCRIPTION	CHK'D	DATE	ISS	DESCRIPTION	CHK'D	DATE
B	SEE DCA 00646		08/11				
A	INITIAL ISSUE		07/11				

DRN	LSV	CHK'D	APP'D	DATE	Sht. 1 of 2

TITLE: ECOLITE CONTROL BOX
INTERNAL CABLE IDENTIFICATION

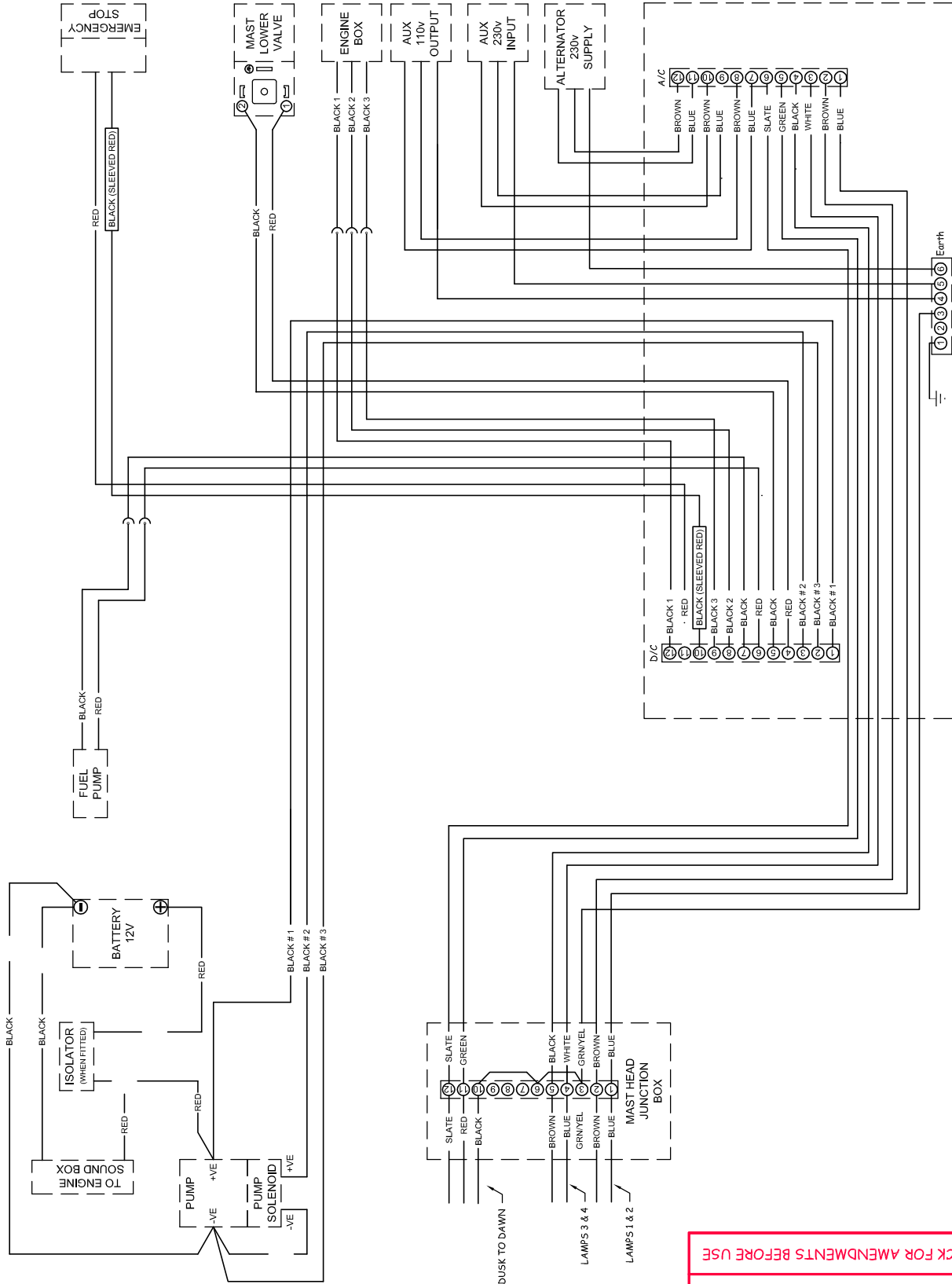
DWG No. TCP-4255-04 WS

TAYLOR CONSTRUCTION PLANT LTD.
QUAYSIDE PARK, BATES ROAD,
MALDON, ESSEX, CM6 5FA
TEL:+441621 650777 FAX:+441621 943390
WWW.TCP.EU.COM

THIS DRAWING IS THE PROPERTY OF TAYLOR CONSTRUCTION PLANT LTD. AND MUST NOT BE COPIED, REPRODUCED OR DISCLOSED EXCEPT AS AUTHORISED IN WRITING BY TAYLOR CONSTRUCTION PLANT LTD. © 2009

TAYLOR CONSTRUCTION PLANT LTD. RESERVE THE RIGHT TO CHANGE PRODUCTS & SPECIFICATIONS WITHOUT PRIOR NOTICE.

DWG No. TCP-4255-04 WS



NOTE:
CABLE No. 5 & 7 ARE SPECIAL SIGNAL CABLE.
i.e. THE 3 INNER CORES ARE BLACK & NUMBERED

UNCONTROLLED DOCUMENT
CHECK FOR AMENDMENTS BEFORE USE

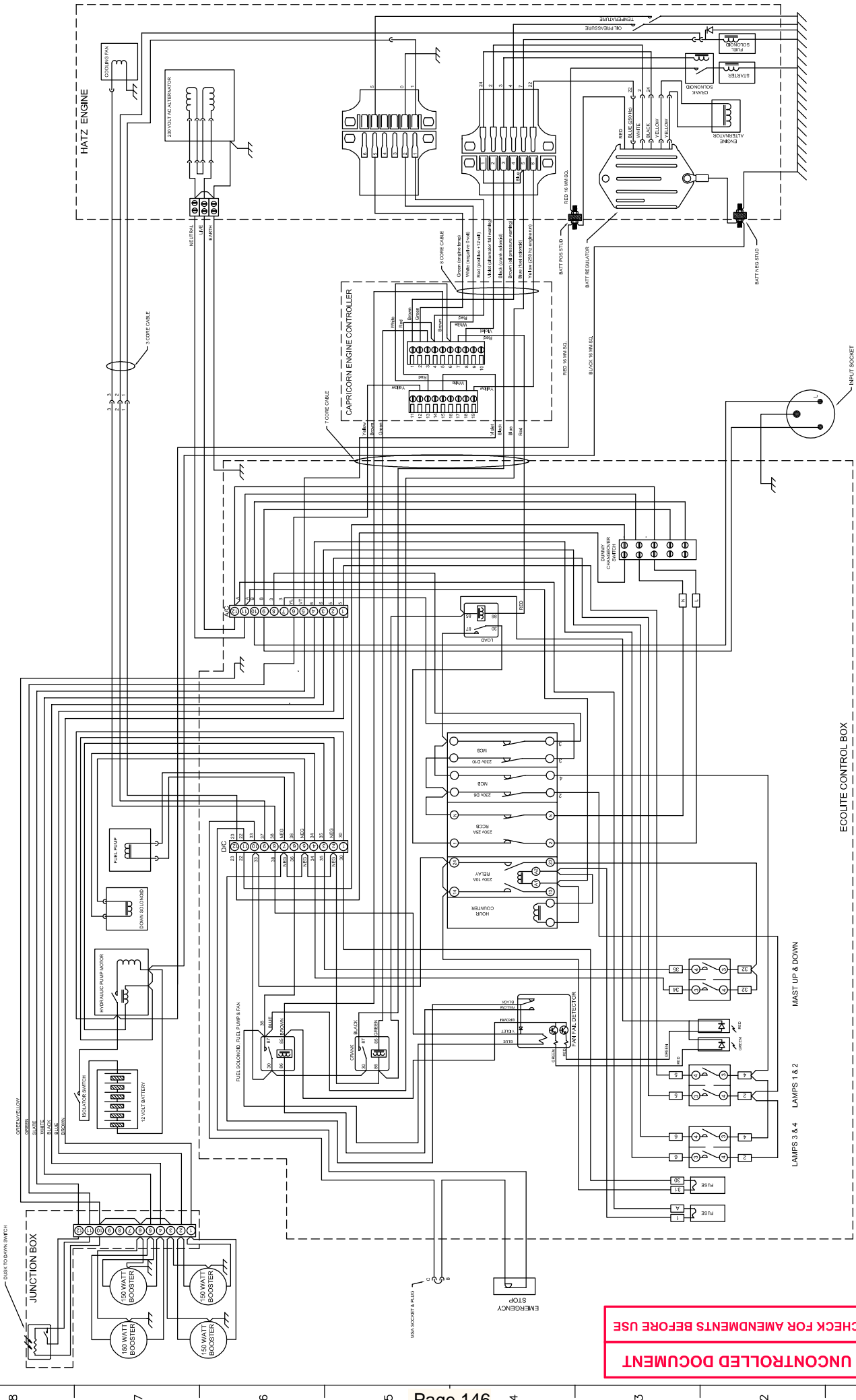
USED IN CONJUNCTION WITH TCP-4255-04 SA

TAYLOR CONSTRUCTION PLANT LTD. QUAYSIDE PARK, BATES ROAD, MALDON, ESSEX, CM9 5FA TEL+441621 850777 FAX+441621 843330 WWW.TCP.EU.COM		TITLE: ECOLITE CONTROL BOX EXTERNAL CABLE IDENTIFICATION		DRN LSV
ISS		DESCRIPTION		CHK'D
A INITIAL ISSUE		DATE 07/11		APP'D
B SEE DCA 00646		DATE 08/11		DATE
C		ISS		20/07/2011
D		DESCRIPTION		DATE
E		CHK'D		DATE
F		DESCRIPTION		DATE
G		DESCRIPTION		DATE
H		DESCRIPTION		DATE
DWG No. TCP-4255-04 WS		Sht. 2 of 2		

THIS DRAWING IS THE PROPERTY OF TAYLOR CONSTRUCTION PLANT LTD. AND MUST NOT BE COPIED, REPRODUCED OR DISCLOSED EXCEPT AS AUTHORISED IN WRITING BY TAYLOR CONSTRUCTION PLANT LTD. © 2009

TAYLOR CONSTRUCTION PLANT LTD. RESERVE THE RIGHT TO CHANGE PRODUCTS & SPECIFICATIONS WITHOUT PRIOR NOTICE.

DWG No. TCP-4255-05 SD



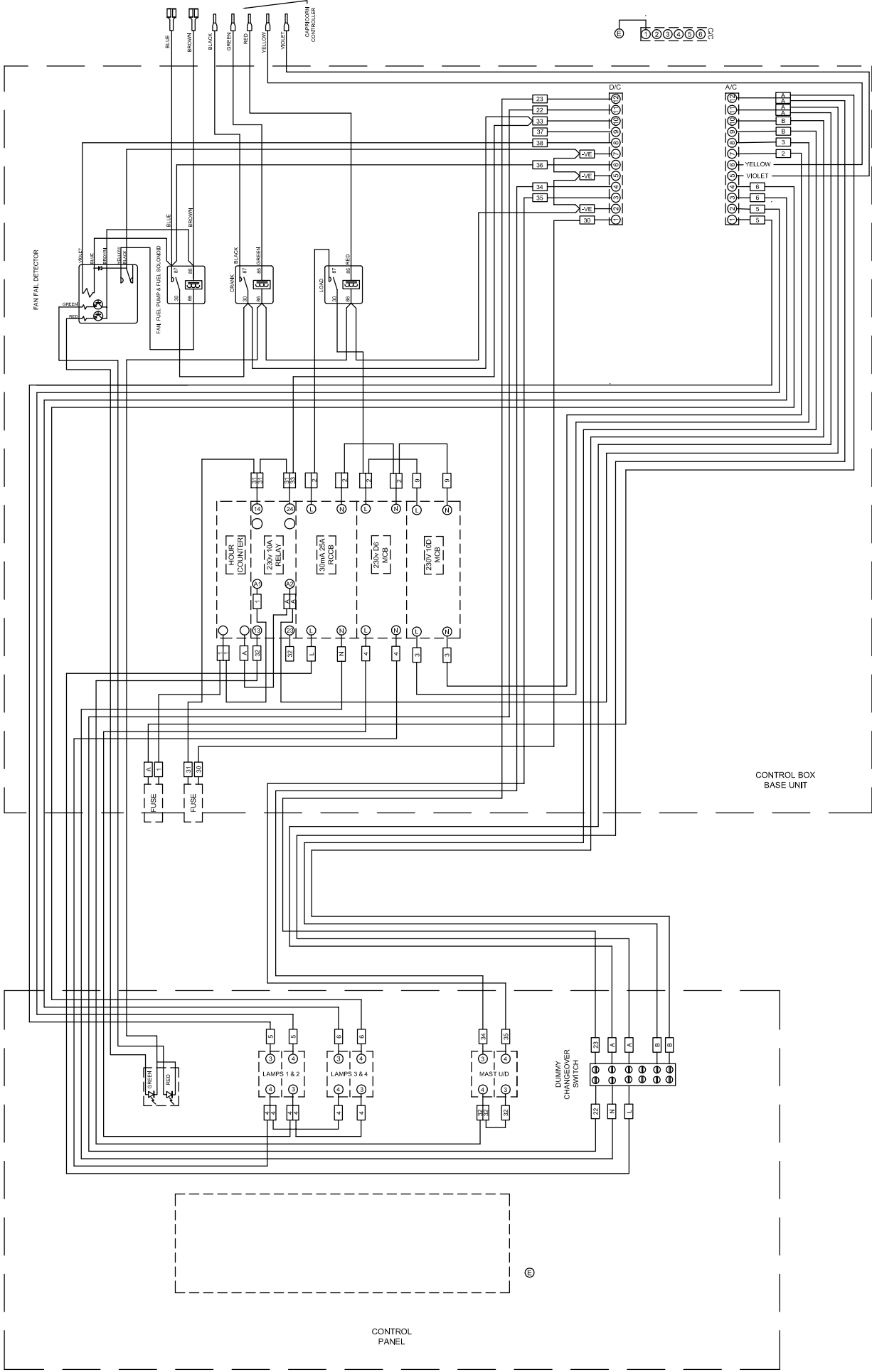
UNCONTROLLED DOCUMENT
CHECK FOR AMENDMENTS BEFORE USE

ISS	DESCRIPTION	CHKD	DATE	ISS	DATE	CHKD	DATE	DESCRIPTION	D	E	F	G	H
A	INITIAL ISSUE		07/11										
<p style="text-align: center;">TAYLOR CONSTRUCTION PLANT LTD. QUAYSIDE PARK, BATES ROAD, MALDON, ESSEX, CM9 5FA TEL: 441621 650777 FAX: 441621 943330 WWW.TCP.EU.COM</p>									<p style="text-align: center;">TITLE: SCHEMATIC, CAPRICORN CONTROL 230 V OUT DP/D. ECOLITE-T & P</p>				
									<p style="text-align: center;">DWG No. TCP-4255-05 SD Sht. 1 of 1</p>				
									<p style="text-align: right;">DRN LSV CHKD APPD DATE 1.07.2011</p>				

THIS DRAWING IS THE PROPERTY OF TAYLOR CONSTRUCTION PLANT LTD. AND MUST NOT BE COPIED, REPRODUCED OR DISCLOSED EXCEPT AS AUTHORIZED IN WRITING BY TAYLOR CONSTRUCTION PLANT LTD. © 2009

TAYLOR CONSTRUCTION PLANT LTD. RESERVE THE RIGHT TO CHANGE PRODUCTS & SPECIFICATIONS WITHOUT PRIOR NOTICE.

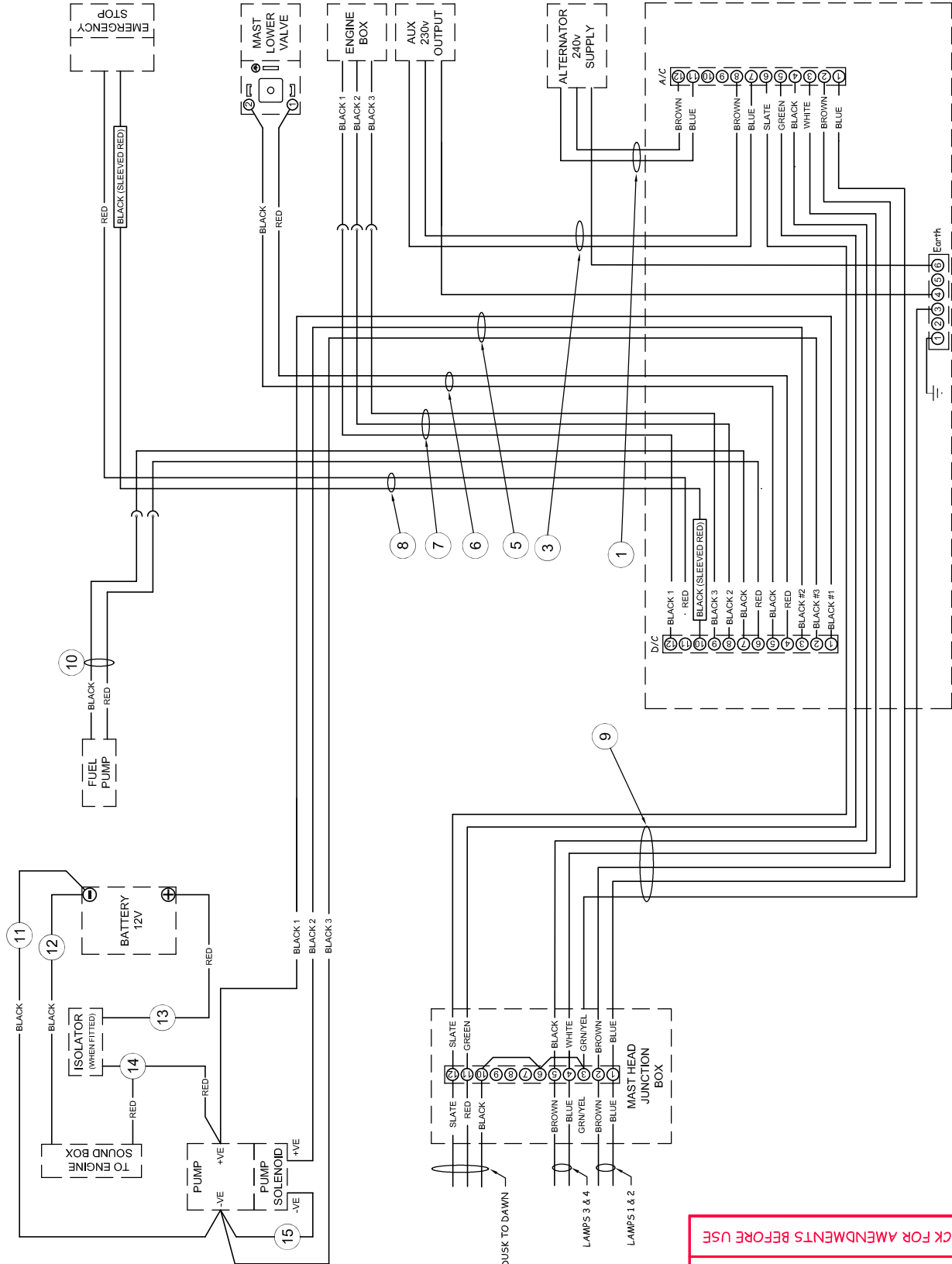
DWG No. TCP-4255-05 WS



USED INCONJUNCTION WITH TCP-4255-05 SA

ISS		DESCRIPTION		DATE		ISS		DESCRIPTION		DATE		ISS		DESCRIPTION		DATE	
A		INITIAL ISSUE		07/11		A		INITIAL ISSUE		07/11		B		SEE DCA 00646		08/11	
DRN		LSV		DATE		APPD		DATE		19.07.2011		CHKD		DATE		19.07.2011	
TITLE: ECOLITE CONTROL BOX INTERNAL CABLE IDENTIFICATION																	
DWG No. TCP-4255-05 WS																	
Sht. 1 of 2																	

TAYLOR CONSTRUCTION PLANT LTD.
 QUAYSIDE PARK, BATES ROAD,
 MALDON, ESSEX, CM6 5FA
 TEL:+441621 650777 FAX:+441621 943390
 WWW.TCP.EU.COM



UNCONTROLLED DOCUMENT
CHECK FOR AMENDMENTS BEFORE USE

Item	Drwg No.	Shk. No.	Core Colours
1	2.5mm ² 3 CORE	71-0062	GE/YE-BN-BU
2	2.5mm ² 3 CORE	71-0062	GE/YE-BN-BU
3	2.5mm ² 3 CORE	71-0062	GE/YE-BN-BU
4	2.5mm ² 3 CORE	71-0062	GE/YE-BN-BU
5**	2.5mm ² 3 CORE	71-0349	BK Numbered
6	1.5mm ² 2 CORE	71-0347	RD-BK
7**	1.5mm ² 3 CORE	71-0349	BK Numbered
8	2.5mm ² 2 CORE	71-0348	RD-BK
9	CURLY CORD	71-0273	-
10	1.5mm ² 2 CORE	71-0347	RD-BK
11	1.5mm ² 1 CORE	73-3073	BK
12	1.5mm ² 1 CORE	73-3071	BK
13	1.5mm ² 1 CORE	73-3070	RD
14	1.5mm ² 1 CORE	73-3072	RD
15	2.5mm ² 1 CORE	73-0031	RD
16	1.5mm ² 2 CORE	71-0347	RD-BK
17	1.5mm ² 2 CORE	71-0347	RD-BK

NOTE:
CABLE No. 5 & 7 ARE SPECIAL SIGNAL CABLE.
i.e. THE 3 INNER CORES ARE BLACK & NUMBERED

USED IN CONJUNCTION WITH TCP-4255-05 SA

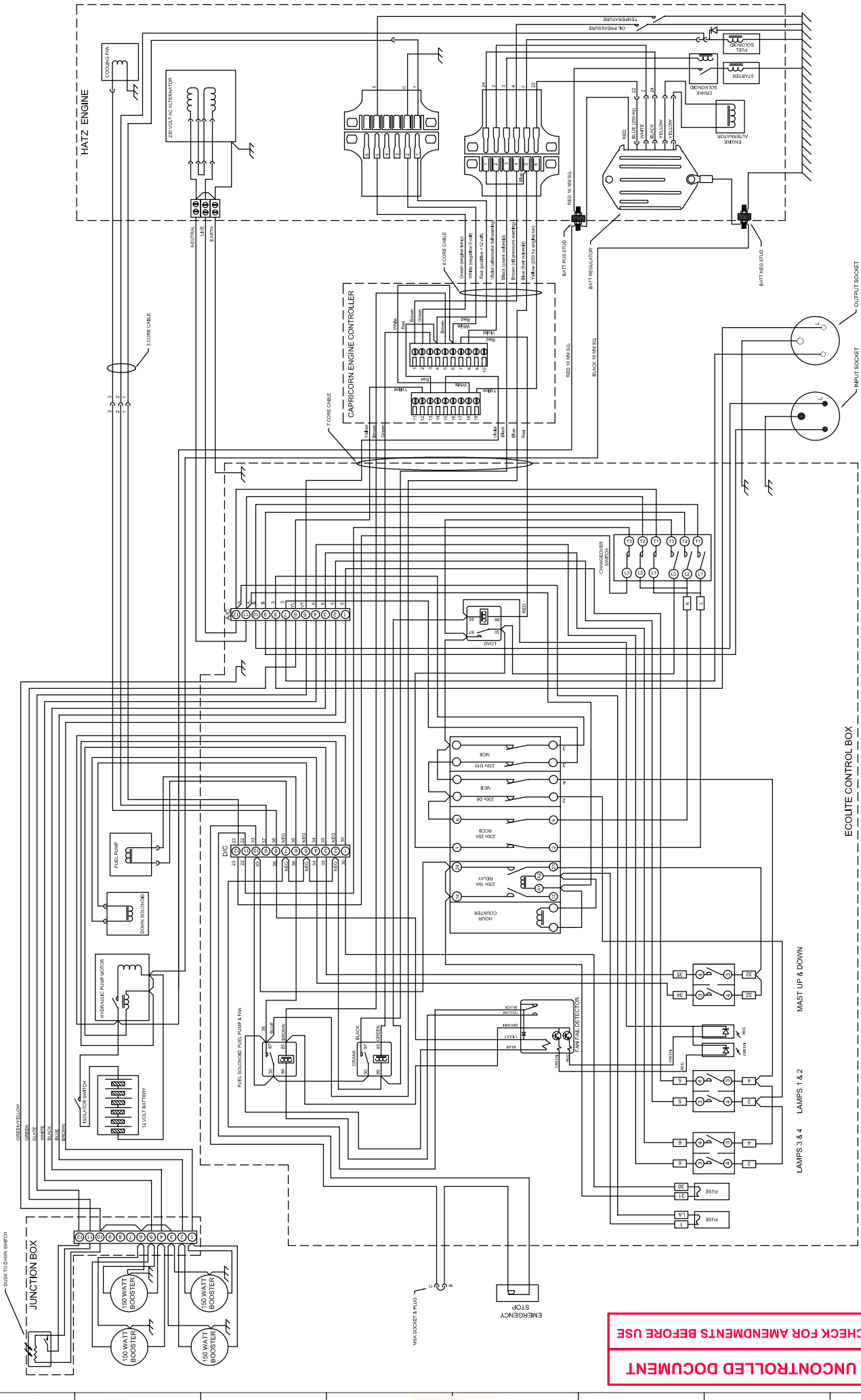
ISS		CHK'D		DATE		ISS		CHK'D		DATE		DESCRIPTION	
B	SEE DCA 00646			08/11									
A	INITIAL ISSUE			07/11									

TAYLOR CONSTRUCTION PLANT LTD.		QUAYSIDE PARK, BATES ROAD, MALDON, ESSEX, CM9 5FA		TEL+441621 850777 FAX+441621 843330		WWW.TCP.EU.COM	
TITLE: ECOLITE CONTROL BOX EXTERNAL CABLE IDENTIFICATION							
DWG No. TCP-4255-05 WS				Shk. 2 of 2			
DRN	LSV	CHK'D	APP'D	DATE	18.07.2011		

THIS DRAWING IS THE PROPERTY OF TAYLOR CONSTRUCTION PLANT LTD. AND MUST NOT BE COPIED, REPRODUCED OR DISCLOSED EXCEPT AS AUTHORISED IN WRITING BY TAYLOR CONSTRUCTION PLANT LTD. © 2009

TAYLOR CONSTRUCTION PLANT LTD. RESERVE THE RIGHT TO CHANGE PRODUCTS & SPECIFICATIONS WITHOUT PRIOR NOTICE.

DWG No. TCP-4255-06 SD

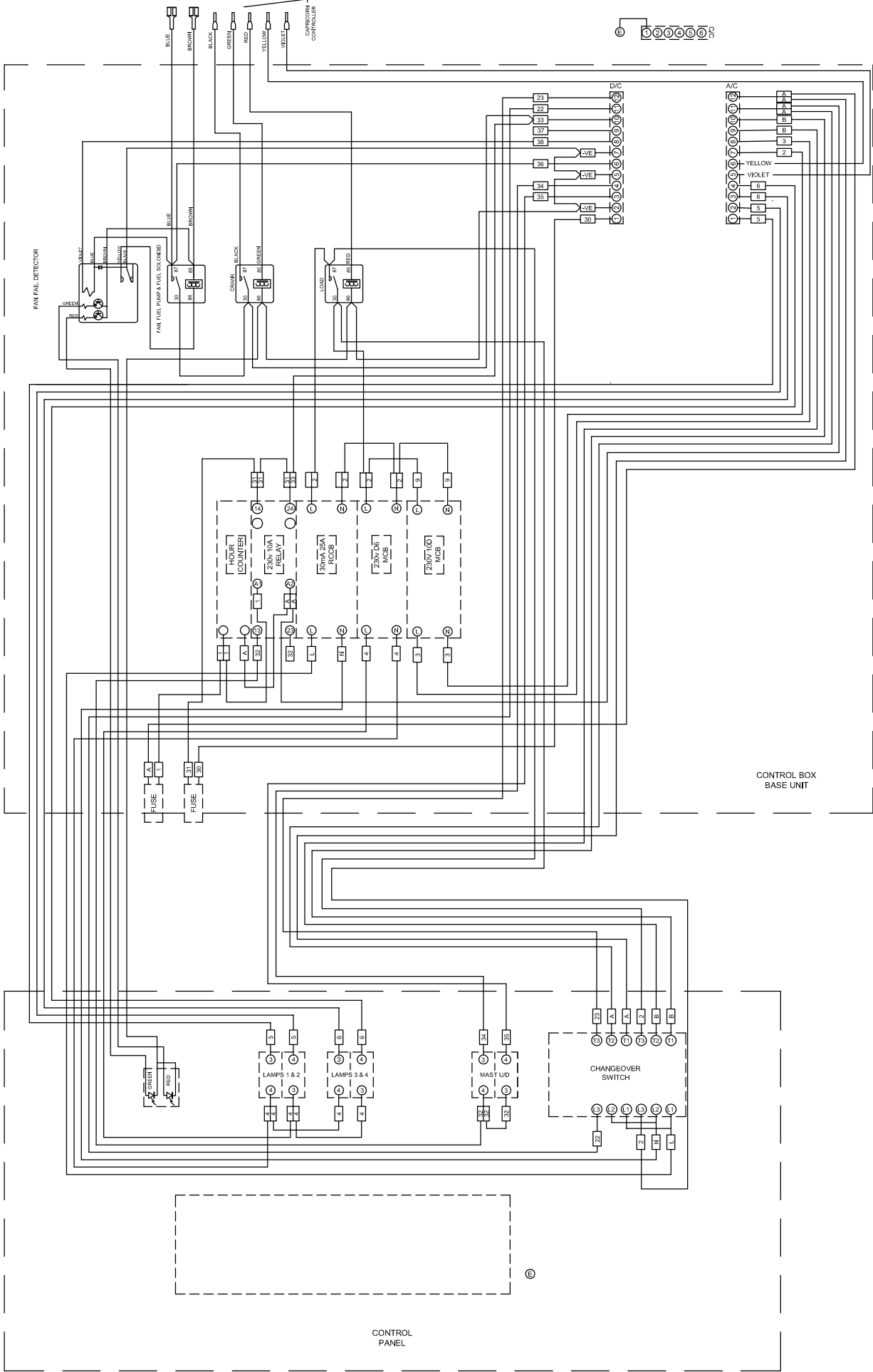


UNCONTROLLED DOCUMENT
CHECK FOR AMENDMENTS BEFORE USE

ISS	DESCRIPTION	CHKD	DATE	ISS	DATE	DESCRIPTION	CHKD	DATE
A	INITIAL ISSUE		07/11					

TAYLOR CONSTRUCTION PLANT LTD. QUAYSIDE PARK, BATES ROAD, MALDON, ESSEX, CM8 5FA TEL: +441621 650777 FAX: +441621 943330 WWW.TCP.EU.COM	TITLE: SCHEMATIC, CAPRICORN CONTROL 230 V IN / OUT DP/D. ECOLITE-T & P DWG No. TCP-4255-06 SD Sht. 1 of 1
---	--

DRN LSV	CHKD	APPD	DATE
			11.07.2011



UNCONTROLLED DOCUMENT
CHECK FOR AMENDMENTS BEFORE USE

ISS	DESCRIPTION	CHKD	DATE	ISS	DESCRIPTION	CHKD	DATE
B	SEE DCA 00646		08/11				
A	INITIAL ISSUE		07/11				

DRN	LSV	CHKD	APPD	DATE	Sht. 1 of 2
				19.07.2011	H

TITLE: ECOLITE CONTROL BOX INTERNAL CABLE IDENTIFICATION	
DWG No. TCP-4255-06 WS	USED INCONJUNCTION WITH TCP-4255-06 SA

TAYLOR CONSTRUCTION PLANT LTD. QUAYSIDE PARK, BATES ROAD, MALDON, ESSEX, CM6 5FA TEL:+441621 650777 FAX:+441621 943390 WWW.TCP.EU.COM	
--	--

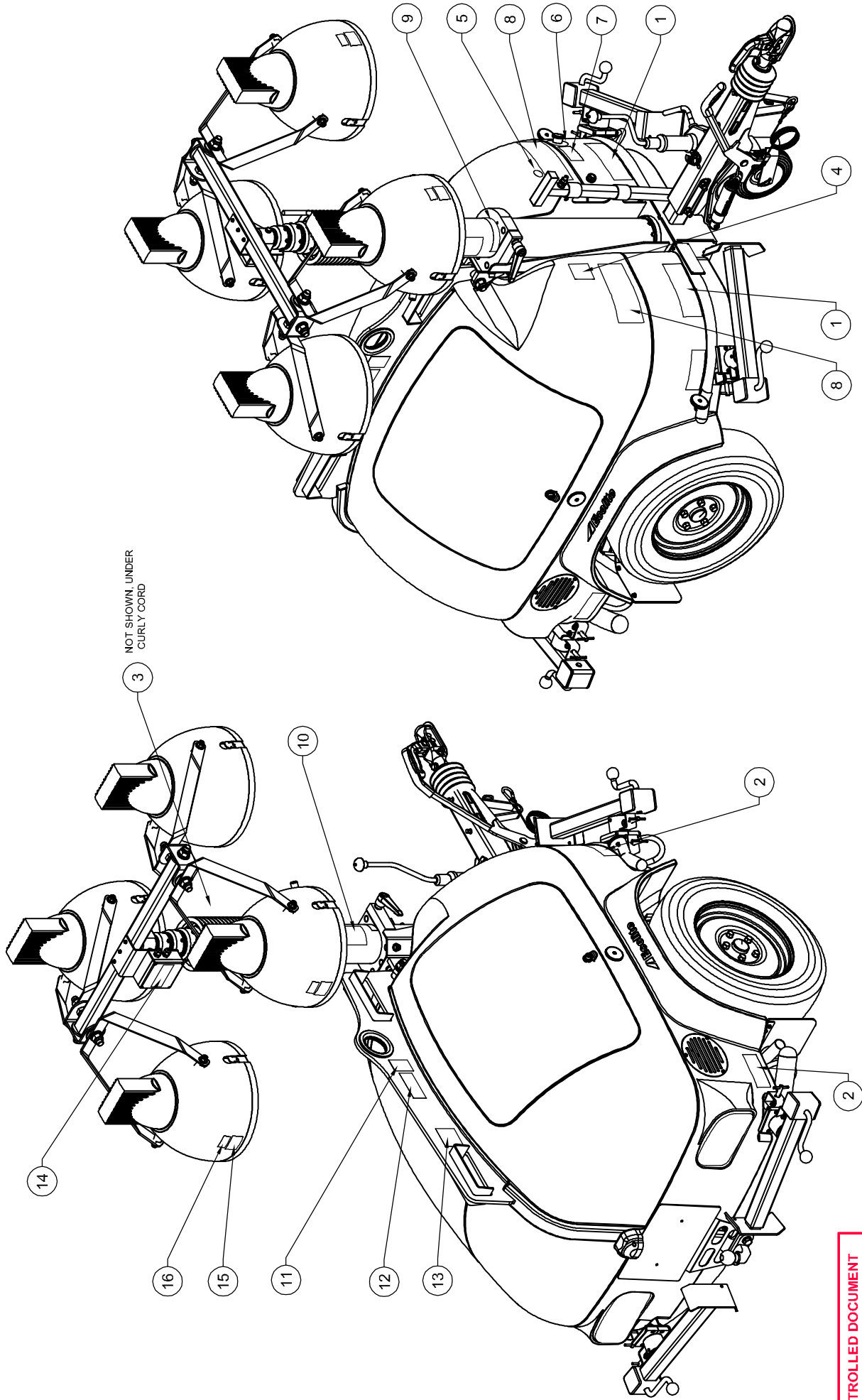
ECOLITE-T

DECALS

&

OPTIONS

THIRD ANGLE PROJECTION



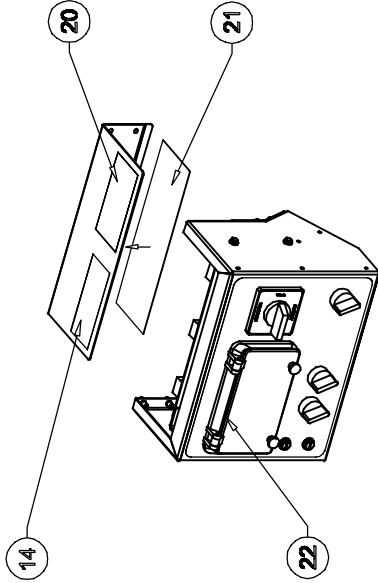
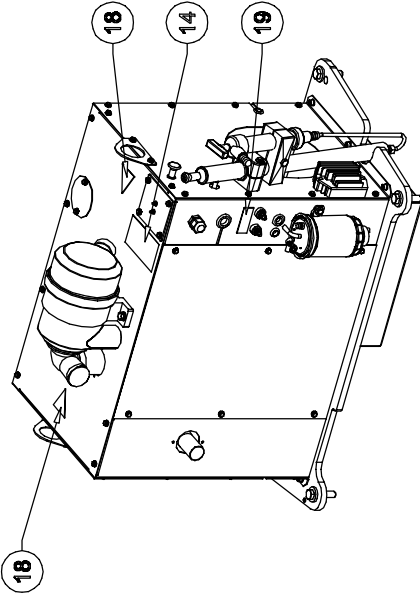
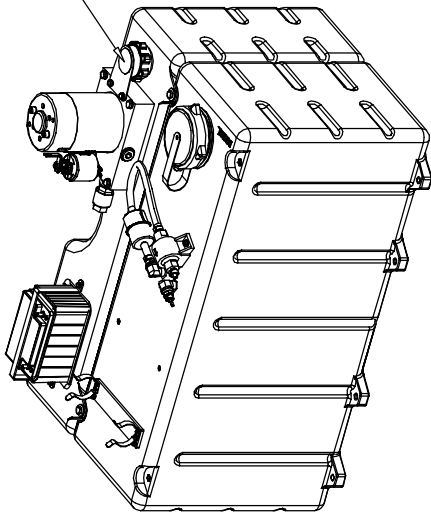
UNCONTROLLED DOCUMENT
CHECK FOR AMENDMENTS BEFORE USE

ISS	INITIAL ISSUE	06/10	CHKD	DATE	A
	DESCRIPTION				B
	MATL.				C
	FINISH.				D
	DIMENSIONS IN	mm			E
	SCALE	1:12			F
	TOL'S: GENERAL	±0.25			G
	HOLE CTRS: POSNS	±0.2			H
	HOLE Ø	±0.2			
	ANGLES	±0.25°			
	TAYLOR CONSTRUCTION PLANT LTD.				
	QUAYSIDE PARK, BATES ROAD, MALDON, ESSEX, CH19 5FA TEL: +441821 850777 FAX: +441821 943330 WWW.TCP.EU.COM				
	TITLE: DECAL ASSY POSITIONS, BASIC UNIT ECOLITE-T				
	DWG No. TCP-2998 SA	Sht. 1 of 2	STK No.	See Note	
	DRN	GAN	CHKD	DATE	
				14.06.2010	

THIS DRAWING IS THE PROPERTY OF TAYLOR CONSTRUCTION PLANT LTD. AND MUST NOT BE COPIED, REPRODUCED OR DISCLOSED EXCEPT AS AUTHORIZED IN WRITING BY TAYLOR CONSTRUCTION PLANT LTD. © 2010

THIRD ANGLE PROJECTION

TAYLOR CONSTRUCTION PLANT LTD. RESERVE THE RIGHT TO CHANGE PRODUCTS & SPECIFICATIONS WITHOUT PRIOR NOTICE.



DWG No. TCP-2998 SA

NOTE:
 COMPLETE SET OF ENGLISH DECALS 99-2998-01
 COMPLETE SET OF DUTCH DECALS 99-2998-02
 COMPLETE SET OF FRENCH DECALS 99-2998-03
 COMPLETE SET OF GERMAN DECALS 99-2998-04

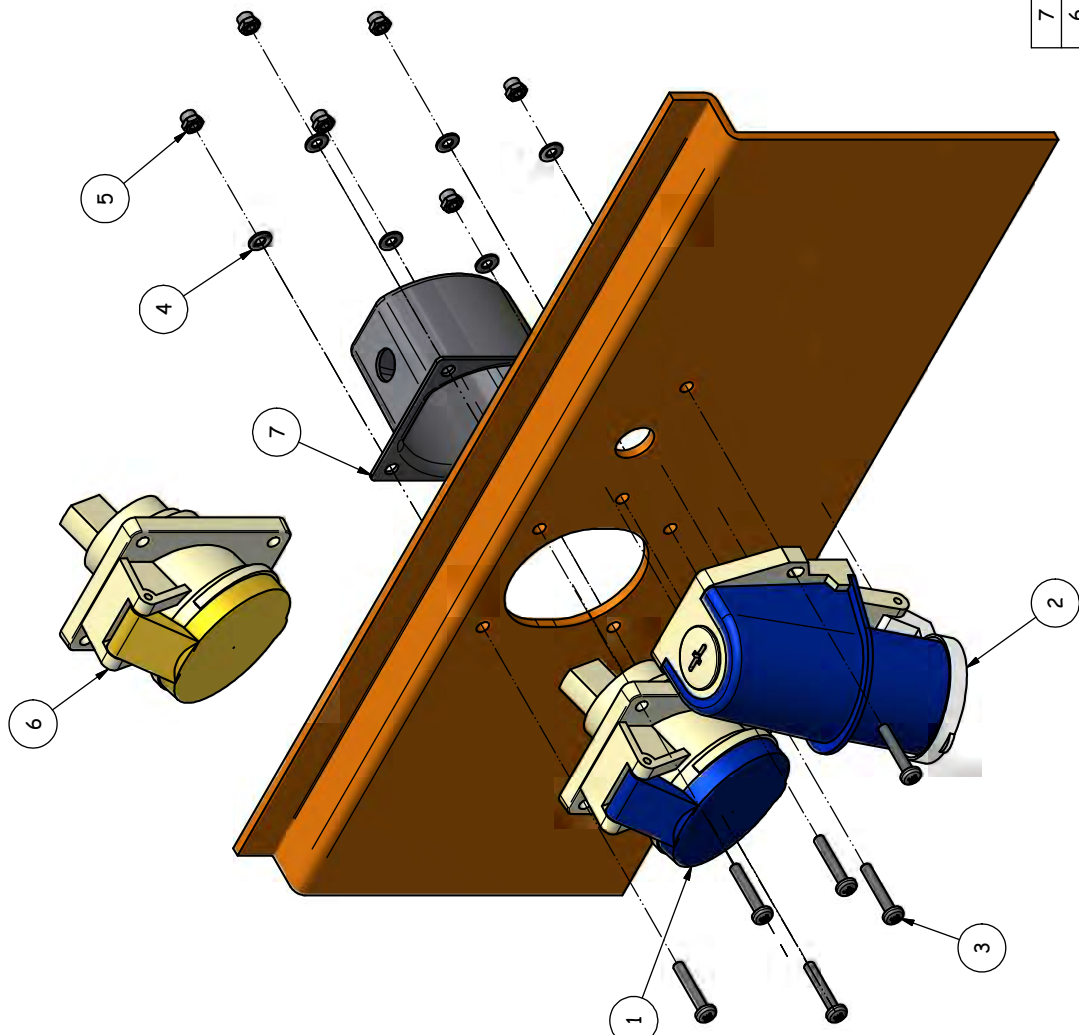
ITEMS 1, 2, 6 AND 7 USE LOW-SURFACEENERGY ADHESIVE.

UNCONTROLLED DOCUMENT
 CHECK FOR AMENDMENTS BEFORE USE

ITEM	ENGLISH		QTY	DESCRIPTION	DUTCH		FRENCH		GERMAN	
	DRG No.	PART/KIT No.			DRG No.	PART/KIT No.	DRG No.	PART/KIT No.	DRG No.	PART/KIT No.
1	TCP-2341	80-0359	2	ADVISORY - HANDBRAKE 'AMOSS'	TCP-2341-02	80-0359-02	TCP-2341-03	80-0359-03	TCP-2341-04	80-0359-04
2	TCP-1082	80-0032	4	SHIPPING TIE-DOWN	TCP-1082-02	80-0032-02	TCP-1082-03	80-0032-03	TCP-1082-04	80-0032-04
3	TCP-1080	80-0030	2	WARNING CRUSH ZONE	TCP-1080-02	80-0030-02	TCP-1080-03	80-0030-03	TCP-1080-04	80-0030-04
4	TCP-3365	80-3365	1	86 db NOISE	TCP-3365	80-3365	TCP-3365	80-3365	TCP-3365	80-3365
5	TCP-3007	80-0007	1	CONFORMANCE LOGO	TCP-3007	80-0007	TCP-3007	80-0007	TCP-3007	80-0007
6	TCP-1658	80-1658	1	EMERGENCY STOP (Round)	TCP-1658-02	80-1658-02	TCP-1658-03	80-1658-03	TCP-1658-04	80-1658-04
7	TCP-1081	80-0031	1	EMERGENCY STOP (Rectangular)	TCP-1081-02	80-0031-02	TCP-1081-03	80-0031-03	TCP-1081-04	80-0031-04
8	TCP-2306	80-0345	2	OPERATING PROCEDURES	TCP-2306-02	80-0345-02	TCP-2306-03	80-0345-03	TCP-2306-04	80-0345-04
9	TCP-2429	80-2429	1	MAST ROTATION INDICATOR	TCP-2429	80-2429	TCP-2429	80-2429	TCP-2429	80-2429
10	TCP-3005	80-3005	2	FALLING & OVERHEAD HAZARD	TCP-3005-02	80-3005-02	TCP-3005-03	80-3005-03	TCP-3005-04	80-3005-04
11	TCP-1085	80-0035	2	LIFTING EYE	TCP-1085	80-0035	TCP-1085	80-0035	TCP-1085	80-0035
12	TCP-2305	80-0342	2	LIFTING EYE MAX LOAD	TCP-2305-02	80-0342-02	TCP-2305-03	80-0342-03	TCP-2305-04	80-0342-04
13	TCP-3004	80-3004	2	DANGER LIFTING FORKS	TCP-3004-02	80-3004-02	TCP-3004-03	80-3004-03	TCP-3004-04	80-3004-04
14	TCP-1083	80-0043	3	DANGER HAZARDOUS VOLTAGE	TCP-1083-02	80-0043-02	TCP-1083-03	80-0043-03	TCP-1083-04	80-0043-04
15	TCP-1091	80-0041	4	LAMP WARNING (Broken Glass)	TCP-1091-02	80-0041-02	TCP-1091-03	80-0041-03	TCP-1091-04	80-0041-04
16	TCP-1080	80-0040	4	LAMP WARNING (Hot Surface)	TCP-1080-02	80-0040-02	TCP-1080-03	80-0040-03	TCP-1080-04	80-0040-04
17	TCP-3201	80-3201	1	ECO JUICE	TCP-3201-02	80-3201-02	TCP-3201-03	80-3201-03	TCP-3201-04	80-3201-04
18	TCP-3366	80-3366	2	AUTOSTART WARNING	TCP-3366	80-3366	TCP-3366	80-3366	TCP-3366	80-3366
19	TCP-2869	80-2869	1	12V DC	TCP-2869	80-2869	TCP-2869	80-2869	TCP-2869	80-2869
20	TCP-1086	80-0048	1	RCD INFORMATION, TEST	TCP-1086-02	80-0048-02	TCP-1086-03	80-0048-03	TCP-1086-04	80-0048-04
21	TCP-3006	80-3006	1	TERMINAL INFORMATION	TCP-3006-02	80-3006-02	TCP-3006-03	80-3006-03	TCP-3006-04	80-3006-04
22	TCP-2321-02	80-0348	1	RCD, MCB & RELAY	TCP-2321-04	80-0348-02	TCP-2321-05	80-0348-03	TCP-2321-06	80-0348-04

MATERIAL		DIMENSIONS IN mm		TITLE: DECAL ASSY POSITIONS, BASIC UNIT		DRN	GAN
		SCALE	1:10	ECOLITE-T		CHKD	
FINISH		TOL'S: GENERAL	±0.25	TAYLOR CONSTRUCTION PLANT LTD.		APPD	
A INITIAL ISSUE		HOLE CTR&POSING	±0.2	CHAYBIDE PARK, BATES ROAD,		DATE	
ISS DESCRIPTION		HOLE Ø	±0.2	MALDEN, Essex, CM9 5FA		11.06.2010	
		ANGLES	±0.25°	TEL: +44(0)1827 80777 FAX: +44(0)1827 849880		See Note	
				WWW.TCP.EU.COM		Sht. 2 of 2	
				DWG No. TCP-2998 SA			

ISS	DESCRIPTION	DATE
A	INITIAL ISSUE	14/11/2007



NOTE:
 NOT ALL TOWERS ARE
 FITTED AS STANDARD
 WITH OPTIONAL EQUIPMENT

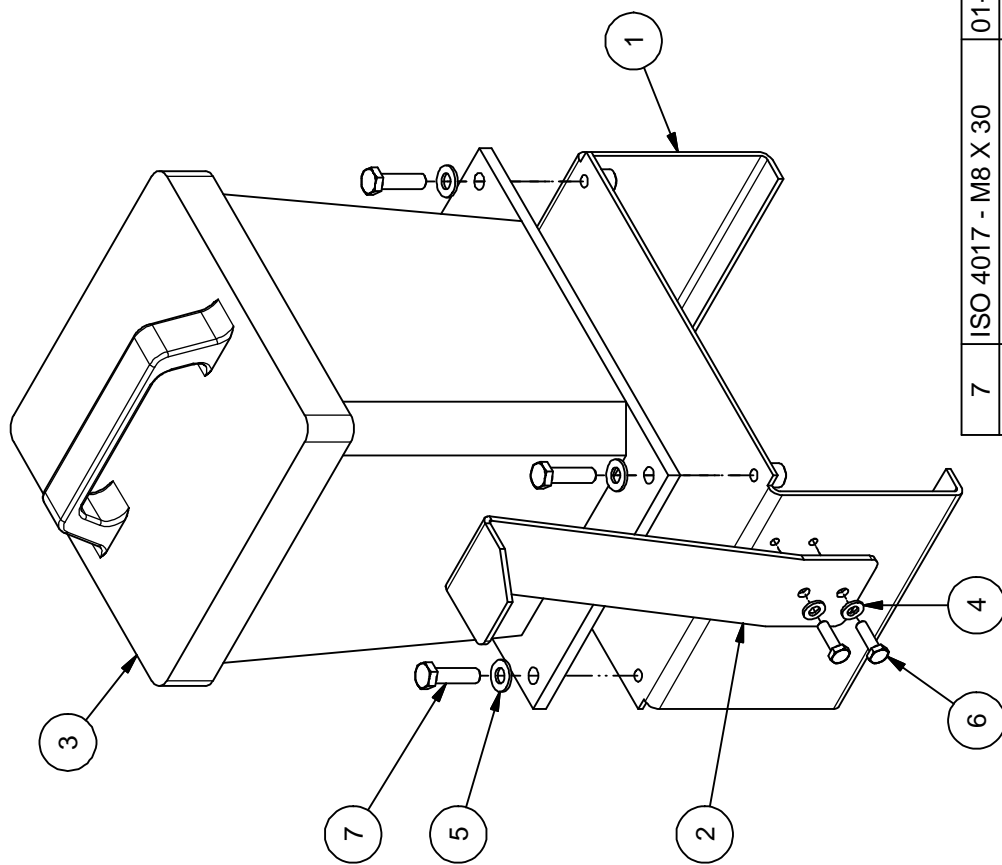
ITEM	DRG. No.	STOCK No.	DESCRIPTION	QTY
7	TCP-2368	71-0260	SAFETY COVER OUTLET SOCKET	1
6	TYPE 1462	71-0228	PANEL MOUNT OUTLET 110V 16A - 20	1
5	ISO 7040 - M4	01-0019	HEX NUT WITH TORQUE PART	6
4	M4 (Form A)	02-0028	BRIGHT METAL WASHER - METRIC SERIES	6
3	M4 x 25 - 4.8 - Z	01-0204	PAN HEAD SCREW - GRADE A	6
2	TYPE 847	71-0245	WALL MOUNTED INLET 230V 16A	1
1	TYPE 1463	71-0247	PANEL MOUNT OUTLET 230V 16A - 20	1

TAYLOR CONSTRUCTION PLANT LTD.		TITLE		OPTIONAL ELECTRICAL EQUIPMENT	
QUAYSIDE PARK, BATES ROAD, WALDON, ESSEX, CM9 5FA TEL: +44(0)1890777 FAX: +44(0)184330 WWW.TCFEU.COM		DRAWN	PSD	DRG. No.	TCP-2792
SCALE 1:4@A3		DATE	14/11/2007	SHEET	1
DIMENSIONS IN mm		CHECKED		OF	1
TOLS:		STOCK No.			
GENERAL ± 0.5					
ANGLES ± 1/2°					
FINISH CLEAN & DEBURR					
MATERIAL					

UNCONTROLLED DOCUMENT
 CHECK FOR AMMENDMENTS BEFORE USE

ECOLITE-T
110V TRANSFORMER ASSY
Version - 1

ISS	DESCRIPTION	DATE
A	INITIAL ISSUE	27/11/2008



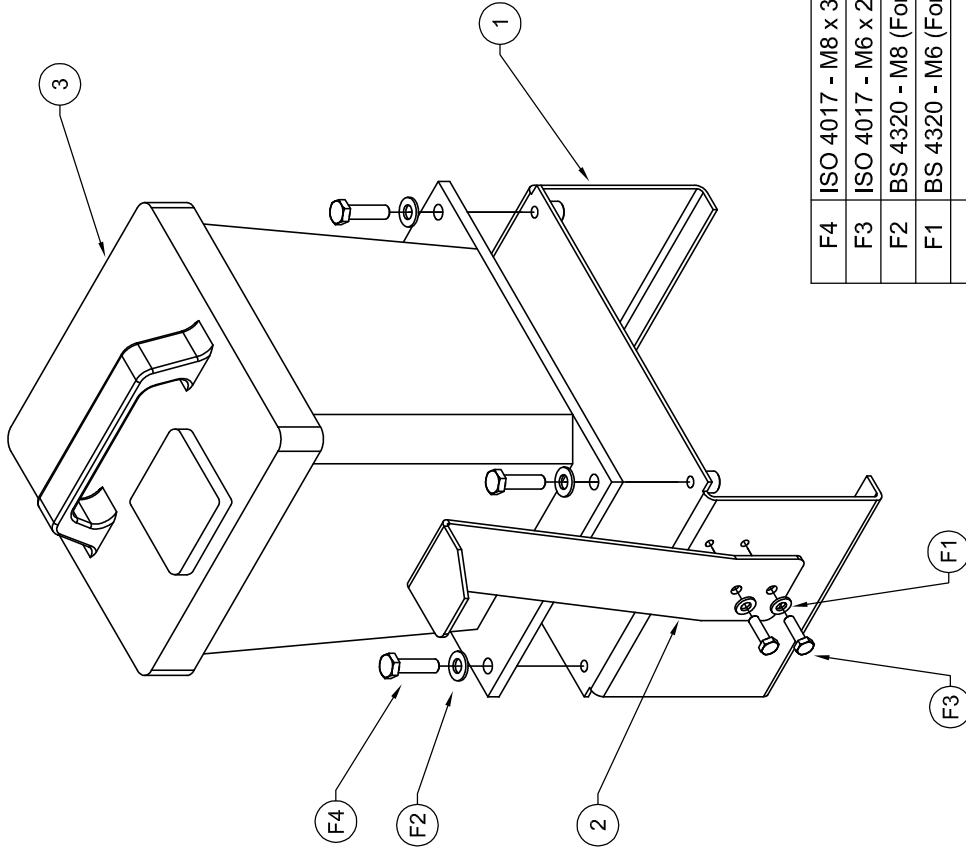
ITEM	DRG. NO.	STOCK NO.	DESCRIPTION	QTY
7	ISO 4017 - M8 X 30	01-0012	HEXAGON HEAD SCREW	4
6	ISO 4017 - M6 X 20	01-0002	HEXAGON HEAD SCREW	2
5	BS 4320 - M8 (FORM A)	02-0011	BRIGHT METAL WASHER - METRIC SERIES	4
4	BS 4320 - M6 (FORM A)	02-0004	BRIGHT METAL WASHER - METRIC SERIES	2
3	TCP-3080	71-3080	TRANSFORMER 110 VOLT	1
2	TCP-3077	51-3077	TRANSFORMER SUPPORT PLATE	1
1	TCP-3078	51-3078	TRANSFORMER BASE PLATE	1

UNCONTROLLED DOCUMENT
CHECK FOR AMMENDMENTS BEFORE USE

MATERIAL	SCALE	1:4	TAYLOR CONSTRUCTION PLANT LTD. QUAYSIDE PARK, BATES ROAD, MALDON, ESSEX, CM9 5FA TEL +441621 850777 FAX +441621 843330 WWW.TCP.EU.COM	DRAWN	RC	TITLE	TRANSFORMER KIT	THIRD ANGLE	A4
	FINISH	CLEAN & DEBURR		DATE	27/11/2008				

ECOLITE-T
110V TRANSFORMER ASSY
Version - 2

THIRD ANGLE PROJECTION



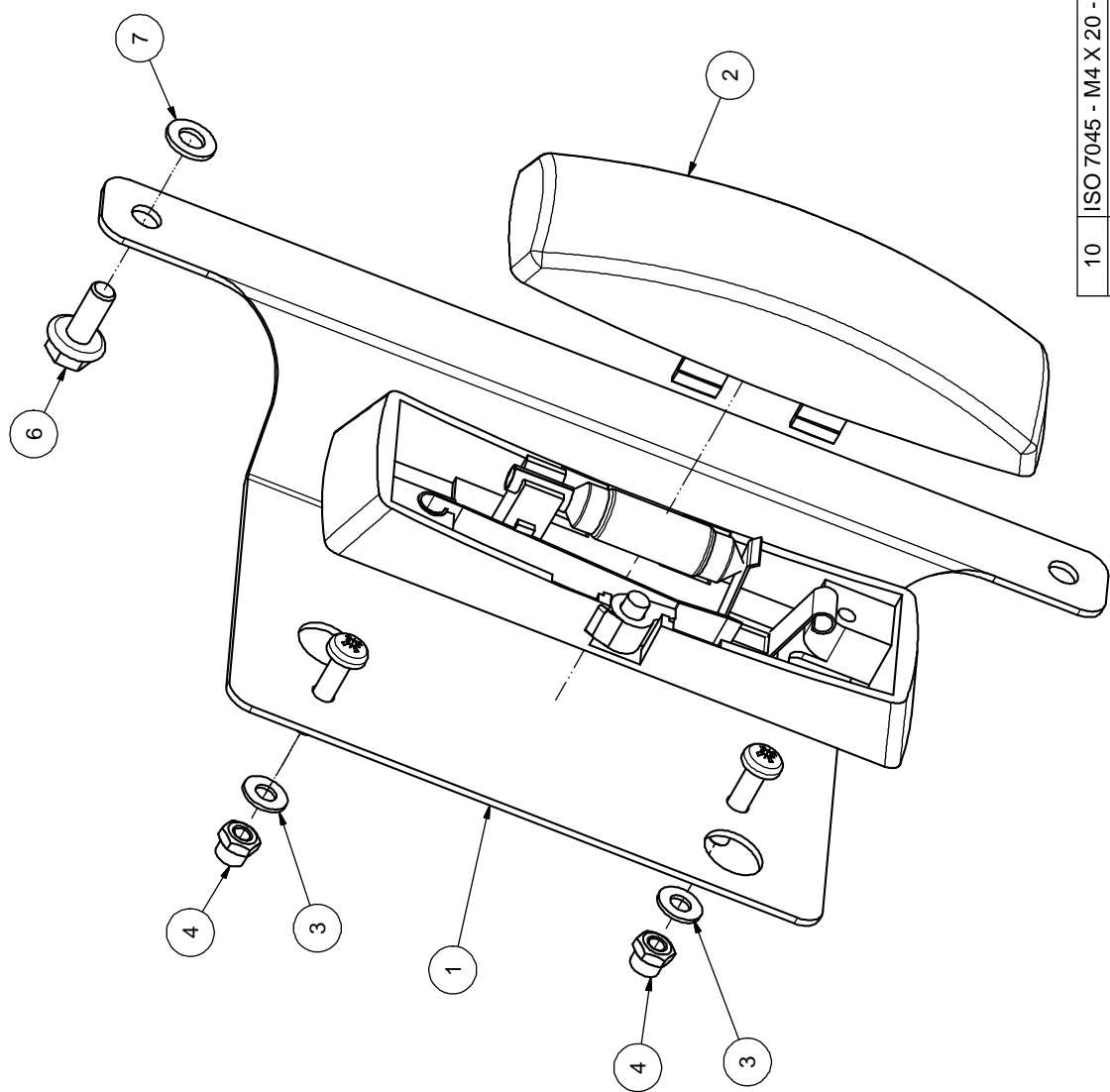
F4	ISO 4017 - M8 x 30	01-0012	HEXAGON HEAD SCREW	4
F3	ISO 4017 - M6 x 20	01-0002	HEXAGON HEAD SCREW	2
F2	BS 4320 - M8 (Form A)		BRIGHT METAL WASHER - METRIC SERIES	4
F1	BS 4320 - M6 (Form A)		BRIGHT METAL WASHER - METRIC SERIES	2
4	NOT SHOWN	73-0133	TRAILING PLUG, BLUE 220V 16A	1
3	TCP-3077	71-3937	TRANSFORMER 110V CTE with MCB	1
2	TCP-3077	51-3077	TRANSFORMER SUPPORT PLATE	1
1	TCP-3078	51-3078	TRANSFORMER BASE PLATE	1
ITEM	DRG. No.	STOCK No.	DESCRIPTION	QTY

UNCONTROLLED DOCUMENT
CHECK FOR AMENDMENTS BEFORE USE

ISS		DESCRIPTION		CHKD	DATE	A	
A	INITIAL ISSUE				02/13		B
MATL. AS PIECE PARTS		FINISH. CLEAN & DEBURR		DIMENSIONS IN		C	
				SCALE	1:3	D	
				TOL'S: GENERAL	±0.25	E	
				HOLE CTRS/POSNS	±0.2	F	
				HOLE Ø	±0.2	G	
				ANGLES	±0.25°	H	
TAYLOR CONSTRUCTION PLANT LTD. QUAYSIDE PARK, BATES ROAD, MALDON, ESSEX, CM9 5FA TEL: +44 1621 860777 FAX: +44 1621 843330 WWW.TCP.EU.COM				TITLE: TRANSFORMER KIT, 110V CTE WITH MCB ECOLITE-T			
DWG No. TCP-3968 SA				Sht. 1 of 1		STK No. SA-3968-01	
DRN		GAN		CHKD		DATE	
						20.02.2013	

ECOLITE-T
INTERIOR LIGHT
Version - 1

ISS	DESCRIPTION	DATE
A	INITIAL ISSUE	30/08/2008



10	ISO 7045 - M4 X 20 - 4.8 - Z	01-0181	PAN HEAD SCREW - GRADE A	2
7	BS 4320 - M5 (FORM A)	02-0013	BRIGHT METAL WASHER - METRIC SERIES	1
6	DIN 6921 - M5 X 12	01-0205	HEXAGON FLANGED BOLT	1
4	ISO 7040 - M4	01-0019	HEX NUT WITH TORQUE PART	2
3	BS 4320 - M4 (FORM A)	02-0028	BRIGHT METAL WASHER - METRIC SERIES	2
2	TCP-3060	72-0075	COURTESY LIGHT	1
1	TCP-3061	51-3061	INTERIOR LIGHT BRACKET	1
ITEM	DRG. NO.	STOCK NO.	DESCRIPTION	QTY

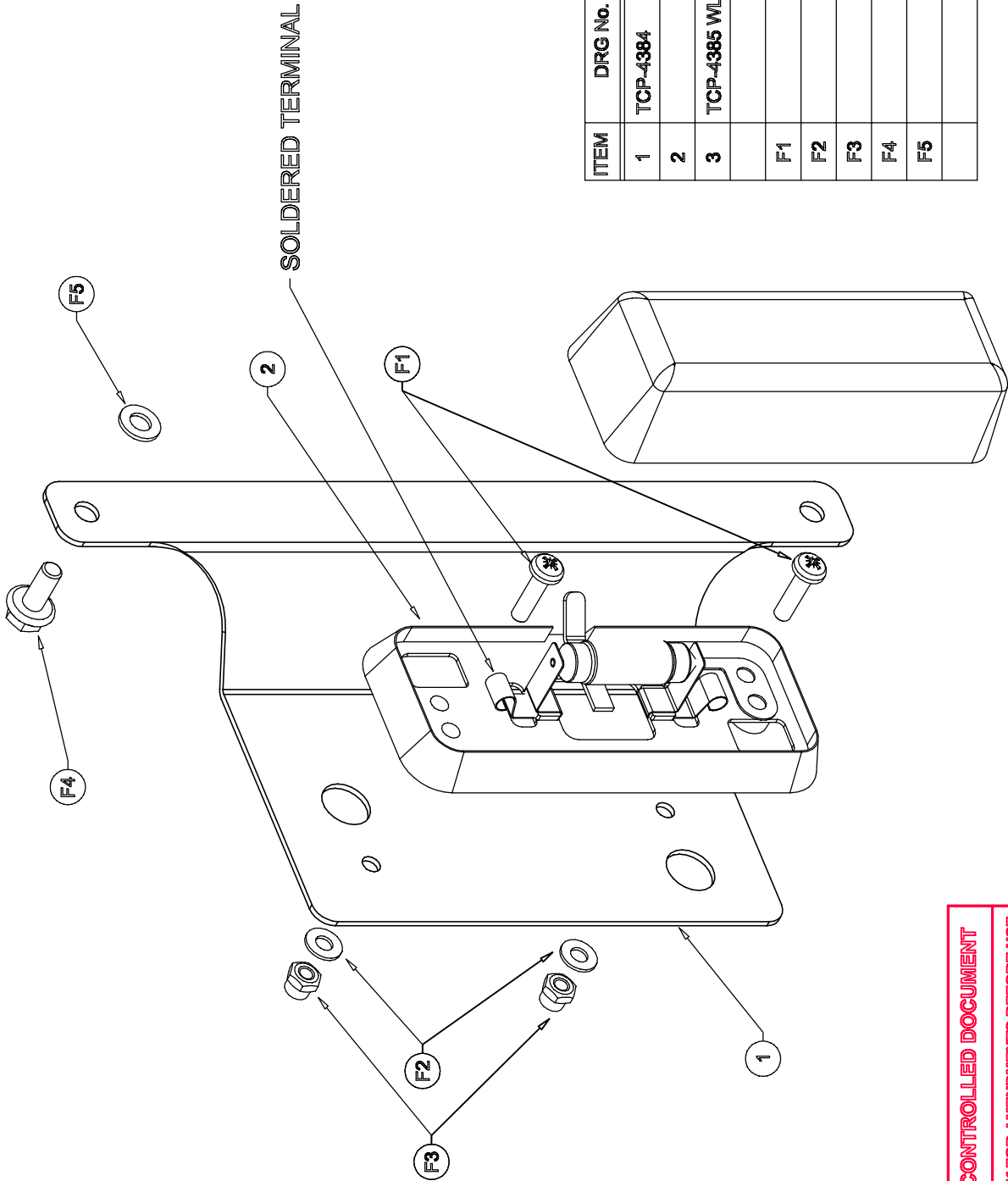
SCALE	1:1	DRAWN	RC	TITLE	INTERIOR LIGHT ASSY
DIMENSIONS IN MM		DATE	30/10/2008	DRG. NO.	TCP-3059 SA
TOL'S:		CHECKED		SHEET 1	STOCK NO
GENERAL ± 0.5				OF 1	
ANGLES ± 1/2°					

MATERIAL
FINISH CLEAN & DEBURR

TAYLOR CONSTRUCTION PLANT LTD.
 QUAYSIDE PARK, BATES ROAD,
 WALTON, ESSEX, CM9 5FA,
 TEL +441821 850777 FAX +441621 843330
 WWW.TCP.EU.COM

UNCONTROLLED DOCUMENT
CHECK FOR AMMENDMENTS BEFORE USE

ECOLITE-T
INTERIOR LIGHT
Version - 2



UNCONTROLLED DOCUMENT
CHECK FOR AMENDMENTS BEFORE USE

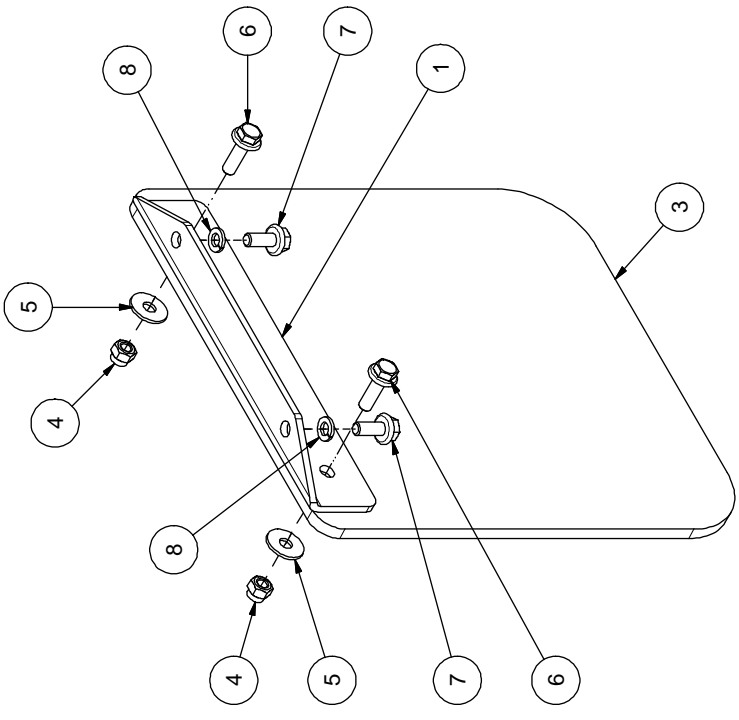
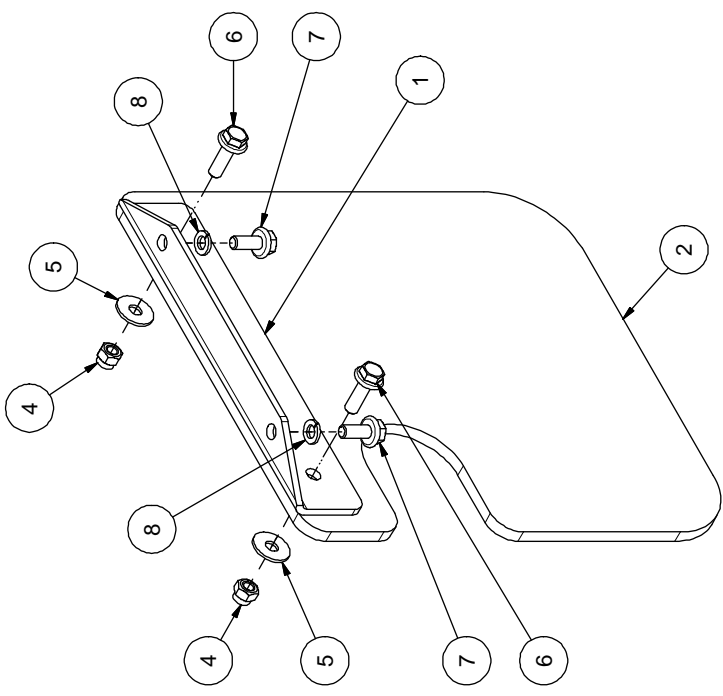
ITEM	DRG No.	PART/Kit No.	DESCRIPTION	QTY
1	TCP-4384	51-4384	BRACKET, INTERIOR LIGHT v2	1
2		50-007	INTERIOR LIGHT v2	1
3	TCP-4385 WL	73-4385	LOOM ASSY, INTERIOR LIGHT v2	1
F1		01-0152	M4 x 16 POZI PAN HD SCREW	2
F2		02-0028	M4 WASHER	2
F3		01-0019	M4 NYLOC NUT	2
F4		01-0205	M5 x 12 HEXAGON FLANGED BOLT	2
F5		02-0013	M5 WASHER	2

N.B. ITEM 3 NOT SHOWN

ISS		A		B		C		D		E		F		G		H	
INITIAL	ISSUE	DESCRIPTION	CHKD	DATE	INITIAL	ISSUE	DESCRIPTION	CHKD	DATE	INITIAL	ISSUE	DESCRIPTION	CHKD	DATE	INITIAL	ISSUE	DESCRIPTION
				10/13													
MATERIALS										MATERIALS		MATERIALS		MATERIALS		MATERIALS	
FINISHES										FINISHES		FINISHES		FINISHES		FINISHES	
DIMENSIONS IN mm										DIMENSIONS IN mm		DIMENSIONS IN mm		DIMENSIONS IN mm		DIMENSIONS IN mm	
SCALE 1:1										SCALE 1:1		SCALE 1:1		SCALE 1:1		SCALE 1:1	
TOLERANCES										TOLERANCES		TOLERANCES		TOLERANCES		TOLERANCES	
HOLE CTRS POSITS ±0.25										HOLE CTRS POSITS ±0.25		HOLE CTRS POSITS ±0.25		HOLE CTRS POSITS ±0.25		HOLE CTRS POSITS ±0.25	
HOLE Ø ±0.2										HOLE Ø ±0.2		HOLE Ø ±0.2		HOLE Ø ±0.2		HOLE Ø ±0.2	
ANGLES ±0.26°										ANGLES ±0.26°		ANGLES ±0.26°		ANGLES ±0.26°		ANGLES ±0.26°	
TAYLOR CONSTRUCTION PLANT LTD.										TAYLOR CONSTRUCTION PLANT LTD.		TAYLOR CONSTRUCTION PLANT LTD.		TAYLOR CONSTRUCTION PLANT LTD.		TAYLOR CONSTRUCTION PLANT LTD.	
CLAYBIDE PARK, BATES ROAD, MALDON, ESSEX, CH8 8FA										CLAYBIDE PARK, BATES ROAD, MALDON, ESSEX, CH8 8FA		CLAYBIDE PARK, BATES ROAD, MALDON, ESSEX, CH8 8FA		CLAYBIDE PARK, BATES ROAD, MALDON, ESSEX, CH8 8FA		CLAYBIDE PARK, BATES ROAD, MALDON, ESSEX, CH8 8FA	
TEL: +44 (0)1627 753441 EXT 848880										TEL: +44 (0)1627 753441 EXT 848880		TEL: +44 (0)1627 753441 EXT 848880		TEL: +44 (0)1627 753441 EXT 848880		TEL: +44 (0)1627 753441 EXT 848880	
WWW.TCP.EU.COM										WWW.TCP.EU.COM		WWW.TCP.EU.COM		WWW.TCP.EU.COM		WWW.TCP.EU.COM	
TITLE: INTERIOR LIGHT ASSY, VERSION 2										TITLE: INTERIOR LIGHT ASSY, VERSION 2		TITLE: INTERIOR LIGHT ASSY, VERSION 2		TITLE: INTERIOR LIGHT ASSY, VERSION 2		TITLE: INTERIOR LIGHT ASSY, VERSION 2	
ECOLITE T										ECOLITE T		ECOLITE T		ECOLITE T		ECOLITE T	
DWG No. TCP-4385 SA										DWG No. TCP-4385 SA		DWG No. TCP-4385 SA		DWG No. TCP-4385 SA		DWG No. TCP-4385 SA	
Sht. 1 of 1										Sht. 1 of 1		Sht. 1 of 1		Sht. 1 of 1		Sht. 1 of 1	
BTK No. SA-4385-01										BTK No. SA-4385-01		BTK No. SA-4385-01		BTK No. SA-4385-01		BTK No. SA-4385-01	
DATE 23.10.2013										DATE 23.10.2013		DATE 23.10.2013		DATE 23.10.2013		DATE 23.10.2013	

ECOLITE-T
INTERIOR LIGHT
Version - 2

ISS	DESCRIPTION	DATE
A	INITIAL ISSUE	23/09/2008



ITEM	DRG. NO.	STOCK NO.	DESCRIPTION	QTY
8	BS 4464 - M5 FORM B	-	SPRING WASHER - METRIC SERIES	4
7	DIN 6921 - M5 X 12	01-0205	HEXAGON FLANGED BOLT	4
6	DIN 6921 - M5 X 16	01-0175	HEXAGON FLANGED BOLT	4
5	DIN 9021 - 5.3	-	WASHER	4
4	ISO 7040 - M5	01-0085	HEX NUT WITH TORQUE PART	4
3	TCP-2967		MUD FLAP	1
2	TCP-2966		MUD FLAP WITH EXHAUST CUT-OUT	1
1	TCP-2965		MUD FLAP BRACKET	2

DRAWN		RC		TITLE		MUD FLAP KIT	
DATE	23/09/2008	DRG. NO.	TCP-3104	SHEET 1	OF	1	STOCK NO.
CHECKED							

SCALE		1:2	
DIMENSIONS IN MM			
TOL'S:			
GENERAL ± 0.5			
ANGLES ± 1/2°			

MATERIAL			
FINISH		CLEAN & DEBURR	

UNCONTROLLED DOCUMENT
CHECK FOR AMMENDMENTS BEFORE USE

