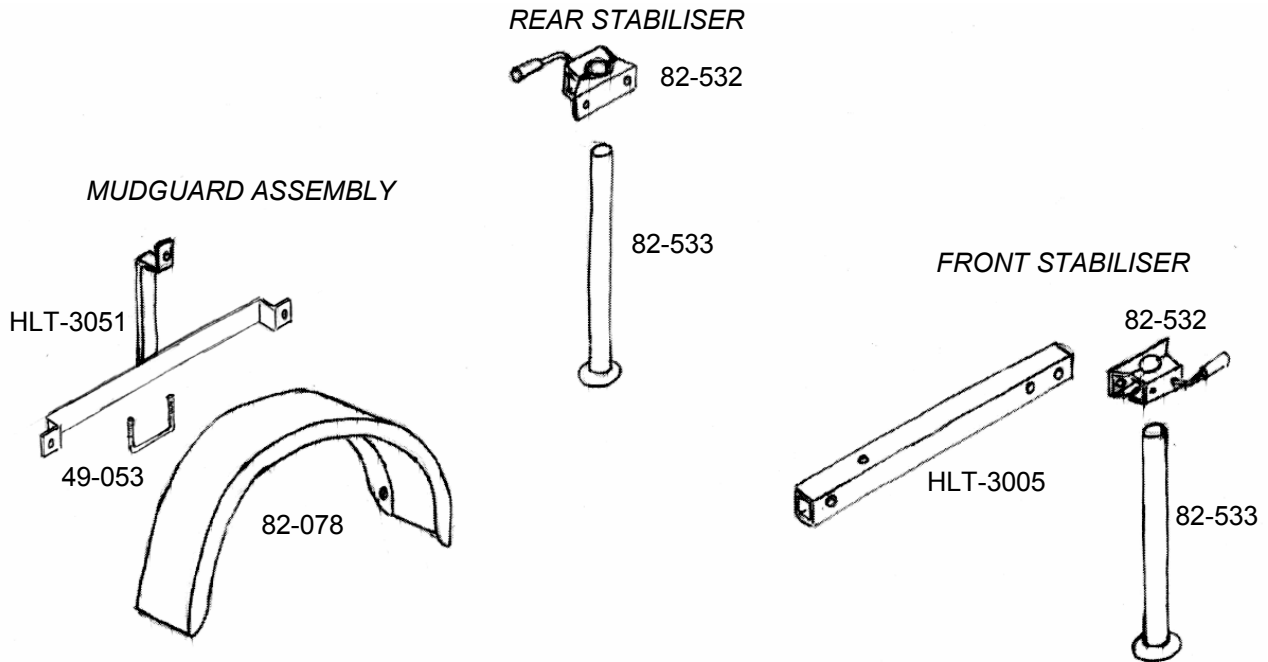


SLIMLITE DEMOUNTABLE GENERATOR MK3 LIGHTING TOWER (REF MLTC)

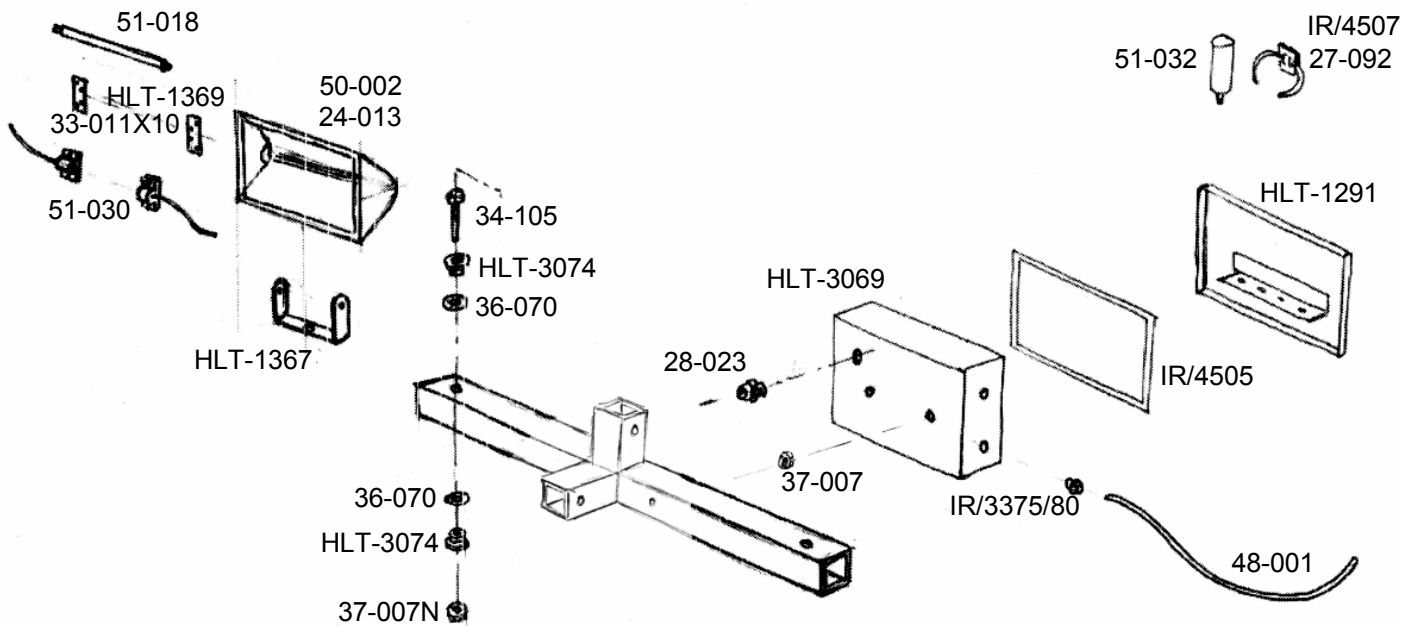


TRAILER PARTS



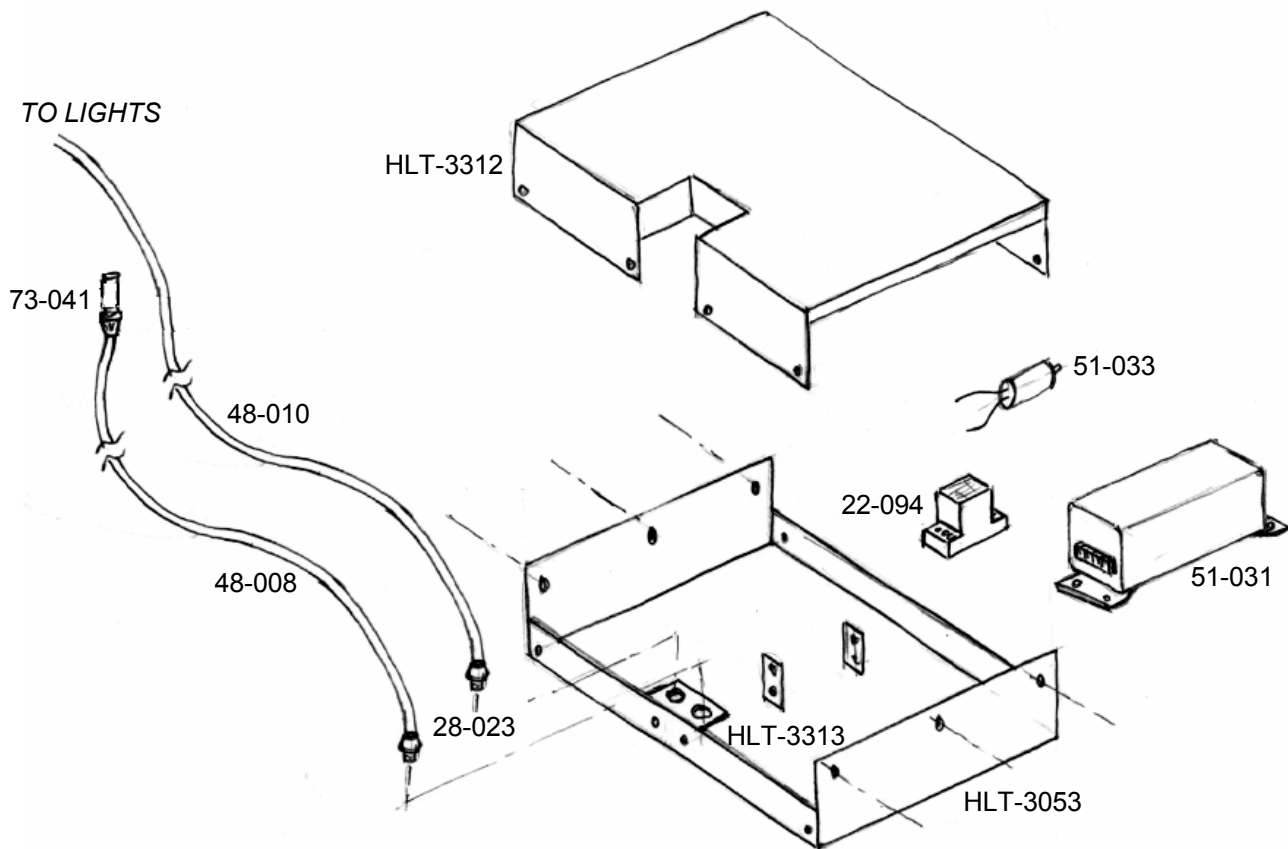
HLT-3005	STABILISER TUBE
HLT-3051	MUDGUARD MOUNTING BRACKET
49-053	U BOLT
82-078	MUDGUARD
82-532	PROPSTAND CLAMP
82-533	PROPSTAND
82-531	WHEEL & TYRE (NOT SHOWN)
OP1106	STABILISER PIN & CHAIN ASSEMBLY (NOT SHOWN)
OP1107	MAST TRAVEL PIN ASSEMBLY (NOT SHOWN)

METAL HALIDE LIGHTS ASSEMBLY (OP1050)



HLT-1291	BOX LID
HLT-1367	LANZINI LAMP BRACKET
HLT-1369	CERAMIC LAMPHOLDER MTG BRACKET
HLT-3068	MAST CROSSMEMBER
HLT-3069	MAST ELECTRICAL BOX
HLT-3074	SWIVEL WASHER
24-013	TERMINAL BLOCK 16A
27-092	CABLE TIE
28-023	20mm GLAND
33-011X10	M4 X 10 TAPTITE SCREW
34-105	M10 X 90 BOLT
36-070	M22 SHAKEPROOF WASHER
37-007	M10 NUT
37-007N	M10 NYLOC NUT
48-001	1.5mm SQ SILICONE CABLE
50-002	LANZINI LIGHT FITTING
51-018	METAL HALIDE BULB
51-030	CERAMIC LAMPHOLDER
IR/3375	PG9 GLAND
IR/3380	PG9 LOCKNUT
IR/4505	SEALING STRIP
IR/4507	CABLE TIE BASE
SEE ALSO OP191 FOR MODIFICATIONS TO 50-002 LIGHT FITTING	

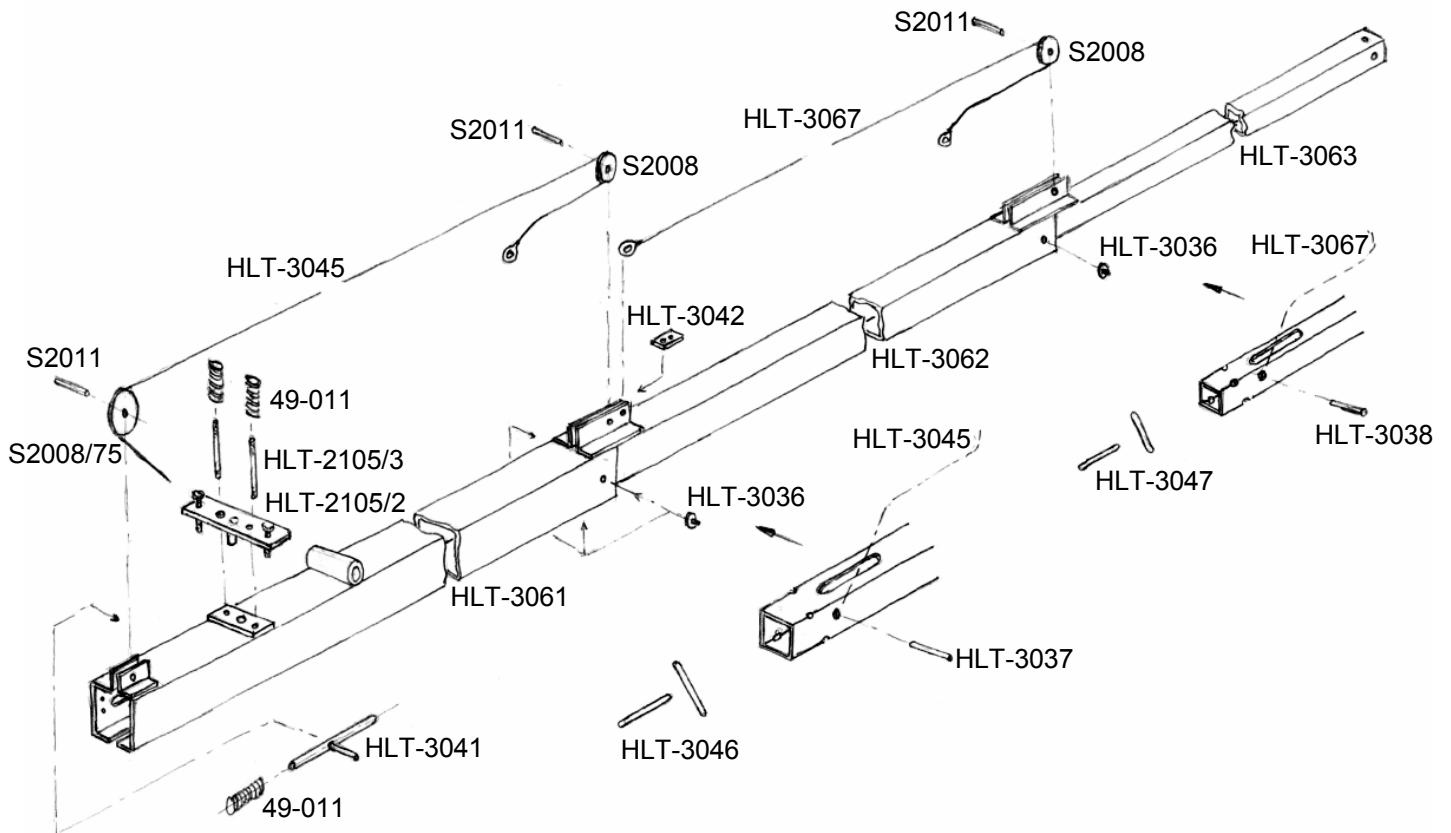
METAL HALIDE OPERATING GEAR



HLT-3053	BALLAST MOUNTING TRAY
HLT-3312	COVER
HLT-3313	GLAND BRACKET
22-094	CONTACTOR
28-023	20mm GLAND
48-008	4.0mm SQ 3 CORE ARCTIC CABLE
48-010	1.5mm SQ 7 CORE CABLE
51-031	CAPACITOR
51-033	BALLAST / TRANSFORMER
73-041	3 PIN 220V BLUE PLUG 32A

MANUAL MAST

3 SECTION



HLT-2105/2	RETAINING PIN
HLT-2105/3	STUD
HLT-3036	NYLON GUIDE PEG
HLT-3037	CABLE RETAINING PIN
HLT-3038	CABLE RETAINING PIN
HLT-3041	MAST LOCK PIN
HLT-3042	END STOP
HLT-3045	CABLE LONG
HLT-3046	NYLON GUIDE
HLT-3047	NYLON GUIDE
HLT-3061	OUTER TUBE
HLT-3062	INTERMEDIATE TUBE
HLT-3063	INNER TUBE
HLT-3067	CABLE SHORT
S2008	PULLEY 50mm DIA
S2008/75	PULLEY 75mm DIA
S2011	PULLEY PIVOT PIN
49-011	SPRING